



US00D951711S

(12) **United States Design Patent** (10) **Patent No.:** **US D951,711 S**
Sonnichsen et al. (45) **Date of Patent:** **** May 17, 2022**

(54) **BEVERAGE CONTAINER ASSEMBLY**

FOREIGN PATENT DOCUMENTS

(71) Applicant: **GrowlerWerks, Inc.**, Portland, OR (US)

GB 2411219 A 8/2005
WO 2018136689 A1 7/2018

(72) Inventors: **Brian E. Sonnichsen**, Beavercreek, OR (US); **Evan C. Rege**, Portland, OR (US); **Shawn L. Huff**, Portland, OR (US)

OTHER PUBLICATIONS

https://www.amazon.com/dp/B00YRA5BB2/ref=cm_sw_em_r_mt_dp_4F6E5ZG1KNW7RXH8FJPF?_encoding=UTF8&psc=1 (Year: 2015).*

(73) Assignee: **GROWLERWERKS, INC.**, Portland, OR (US)

(Continued)

(**) Term: **15 Years**

Primary Examiner — Jae Liang

(74) *Attorney, Agent, or Firm* — Miller Nash LLP

(21) Appl. No.: **29/777,149**

(22) Filed: **Apr. 2, 2021**

(57) **CLAIM**

Related U.S. Application Data

The ornamental design for a beverage container assembly, as shown and described.

(60) Division of application No. 17/129,474, filed on Dec. 21, 2020, which is a continuation of application No. (Continued)

(51) **LOC (13) Cl.** **07-01**

DESCRIPTION

(52) **U.S. Cl.**

USPC **D7/507**; D7/511; D7/313

(58) **Field of Classification Search**

USPC D7/507, 509, 510, 511, 512, 523, 532, D7/305, 531, 608, 392.1, 396.2, 533, 536, D7/313, 312; D27/172, 174, 175, 176; D9/501, 502, 503, 504, 530, 529, 522, D9/554, 567, 571, 569, 449, 516, 523, D9/524, 543, 565, 575

CPC A47J 43/27; A47J 41/02; A47G 19/22; A47G 19/16; A47G 19/2205; A47G 19/2288; B65D 1/265

See application file for complete search history.

FIG. 1 is a front view of a beverage container assembly. FIG. 2 is a rear view of the beverage container assembly of FIG. 1. FIG. 3 is a top view of the beverage container assembly of FIG. 1. FIG. 4 is a bottom view of the beverage container assembly of FIG. 1. FIG. 5 is a left-side view of the beverage container assembly of FIG. 1. FIG. 6 is a right-side view of the beverage container assembly of FIG. 1. FIG. 7 is an upper perspective view of the beverage container assembly of FIG. 1; and, FIG. 8 is a lower perspective view of the beverage container assembly of FIG. 1. The portions of the beverage container assembly shown in broken lines form no part of the claimed design.

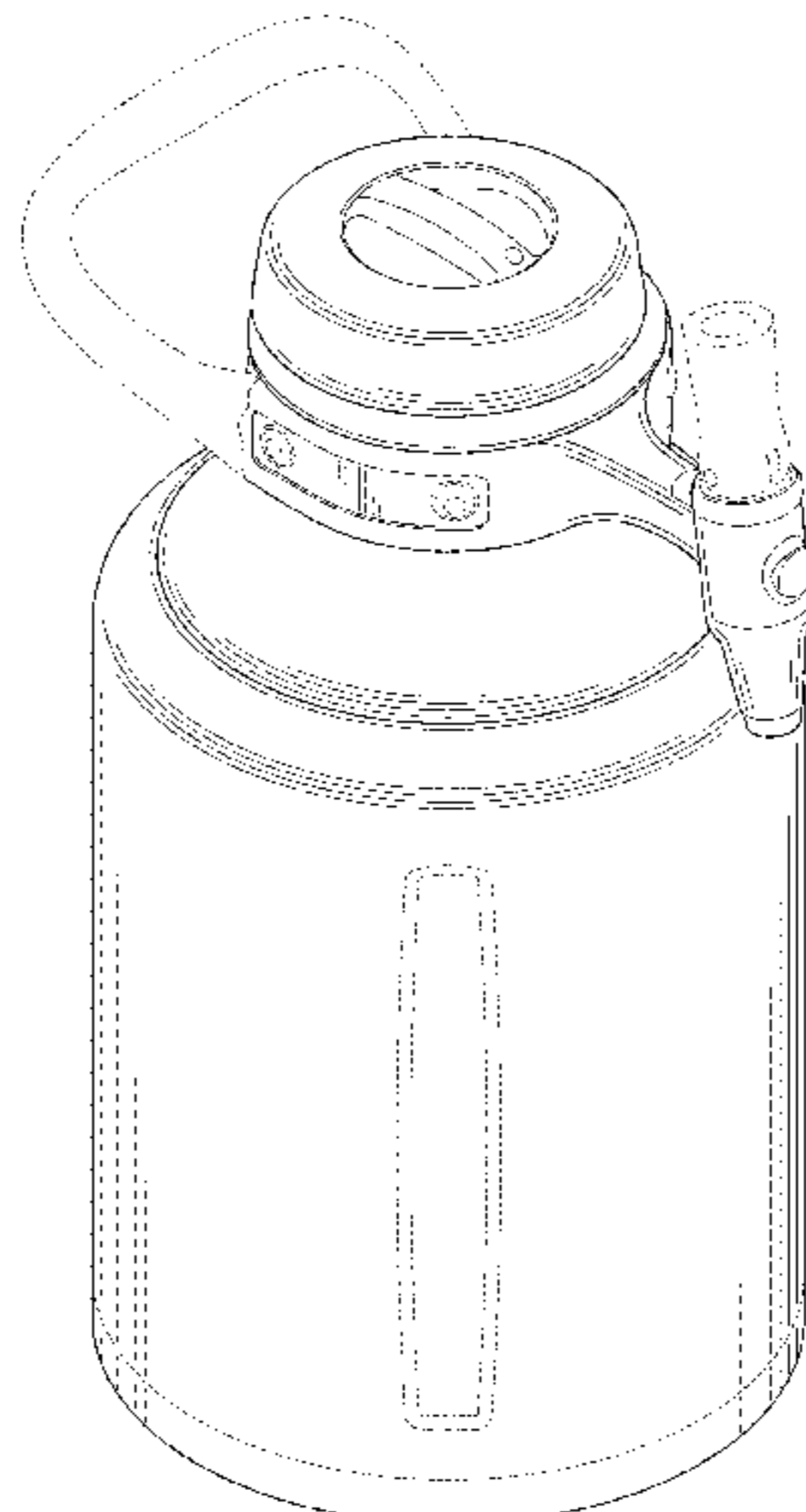
(56) **References Cited**

U.S. PATENT DOCUMENTS

2,143,655 A 1/1939 Karl
3,084,718 A 4/1963 Edward

(Continued)

1 Claim, 8 Drawing Sheets



US D951,711 S

Page 2

Related U.S. Application Data

16/449,128, filed on Jun. 21, 2019, now Pat. No. 10,870,568.

- (60) Provisional application No. 62/720,855, filed on Aug. 21, 2018, provisional application No. 62/688,307, filed on Jun. 21, 2018.

(56) References Cited

U.S. PATENT DOCUMENTS

4,166,606	A	9/1979	Kawolics et al.	
5,022,565	A	6/1991	Sturman et al.	
5,443,186	A	8/1995	Grill	
6,082,589	A	7/2000	Ash et al.	
9,352,949	B2	5/2016	Rege et al.	
9,533,865	B2	1/2017	Sonnichsen et al.	
D787,266	S *	5/2017	Sonnichsen	D7/397
D836,978	S *	1/2019	Sonnichsen	D7/397
D892,561	S *	8/2020	Wang	D7/511
D893,956	S *	8/2020	Wang	D7/536
D904,100	S *	12/2020	Sonnichsen	D7/300
2006/0243752	A1	11/2006	Pakkert	
2008/0217361	A1	9/2008	Vitantonio et al.	

2009/0261129	A1	10/2009	Vitantonio et al.
2010/0181336	A1	7/2010	Rasmussen
2011/0284593	A1	11/2011	Meike et al.
2014/0076173	A1	3/2014	Pellaud et al.
2014/0227398	A1	8/2014	Koskinen
2015/0336785	A1	11/2015	Rege et al.
2016/0068380	A1	3/2016	Rege et al.
2016/0318665	A1	11/2016	Springer
2019/0389714	A1	12/2019	Sonnichsen et al.
2020/0305631	A1	10/2020	Rege et al.

OTHER PUBLICATIONS

https://www.amazon.com/dp/B08LF1C38R/ref=cm_sw_em_r_mt_dp_G23S56S21YZX6YM6VTFH?_encoding=UTF8&psc=1 (Year: 2020).*

https://www.amazon.com/GrowlerWerks-uKeg-Nitro-Coffee-Chrome/dp/B07X1LXC4X/?_encoding=UTF8&pd_rd_w=mNr7L&pf_rd_p=96874069-f978-4df7-9810-f99814199e05&pf_rd_r=7M37ESYXR9507NV0MTZW&pd_rd_r=bc1d75d9-4405-4af3-99e1-073776c5fca2&pd_rd_wg=1clmp&ref_=pd_gw_ci_mcx_mr_hp_atf_m (Year: 2019).*

* cited by examiner

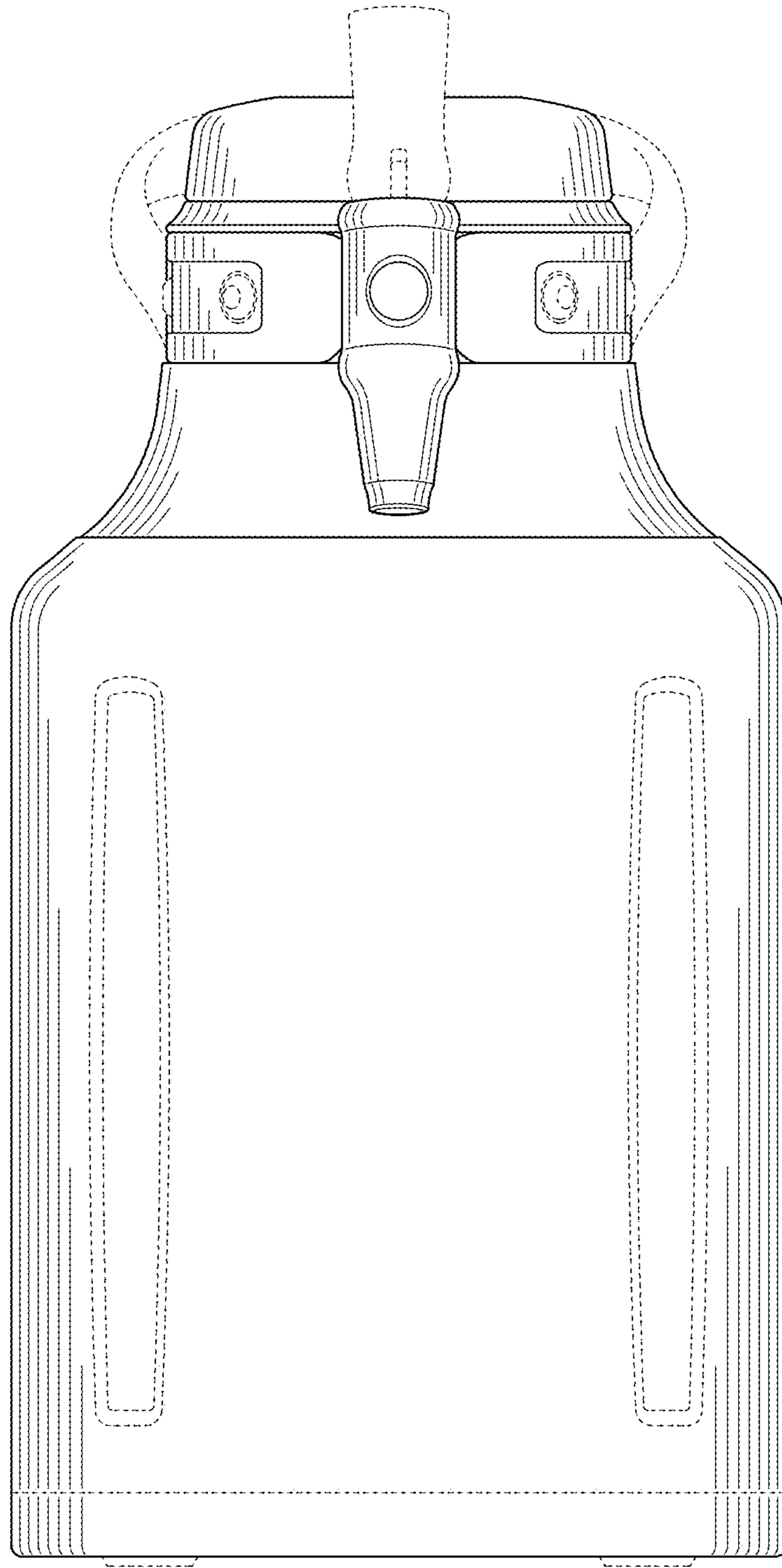


FIG. 1

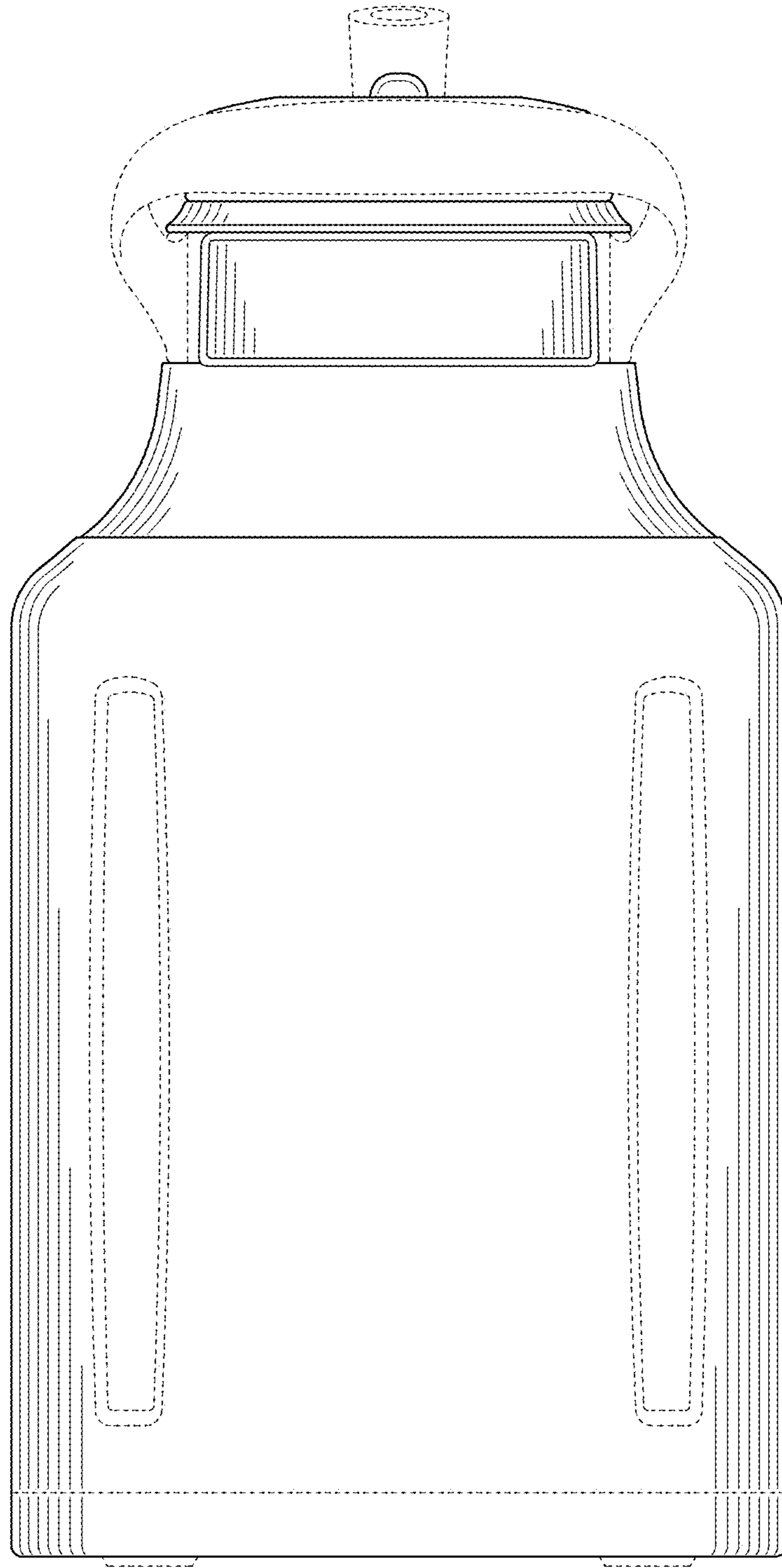


FIG. 2

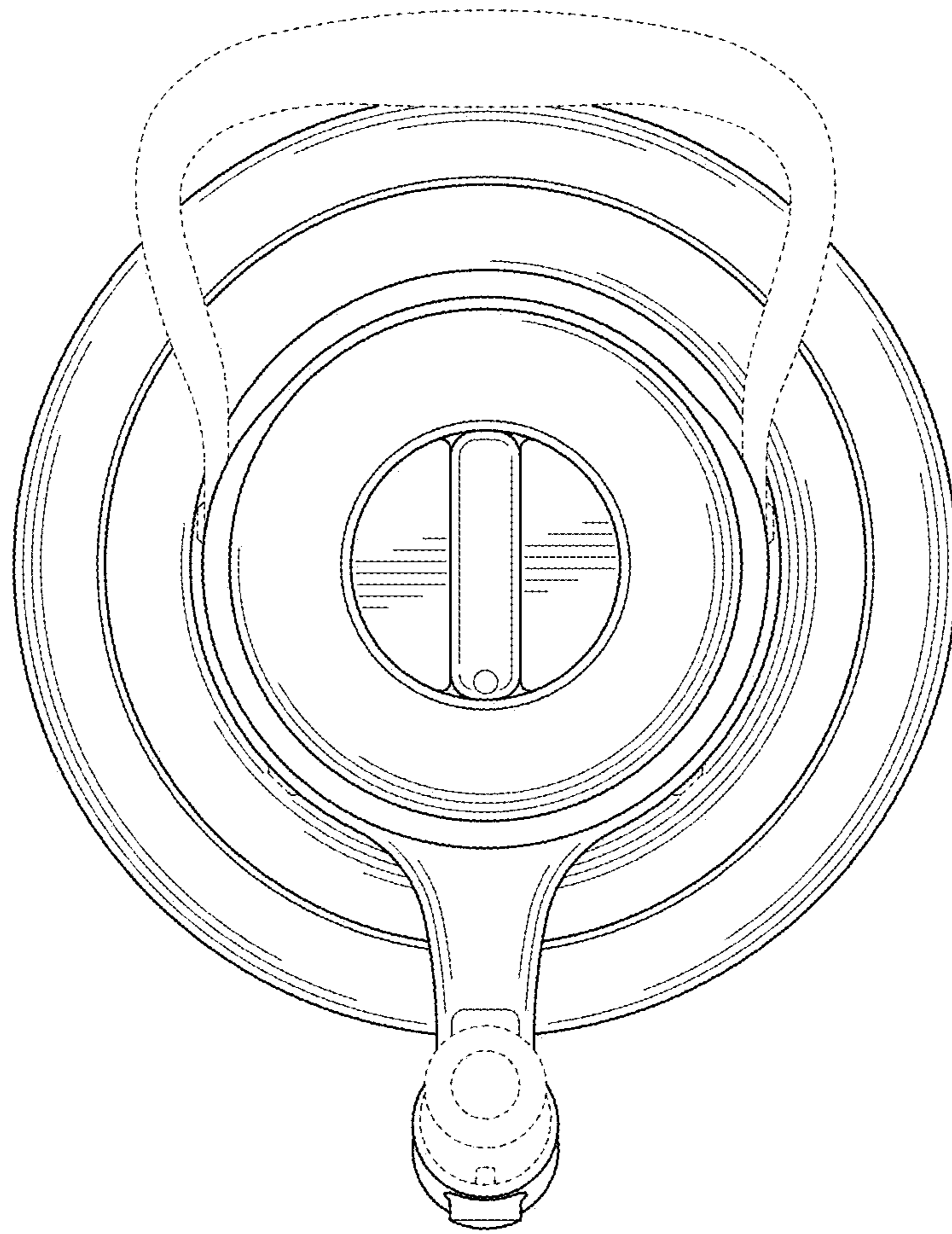


FIG. 3

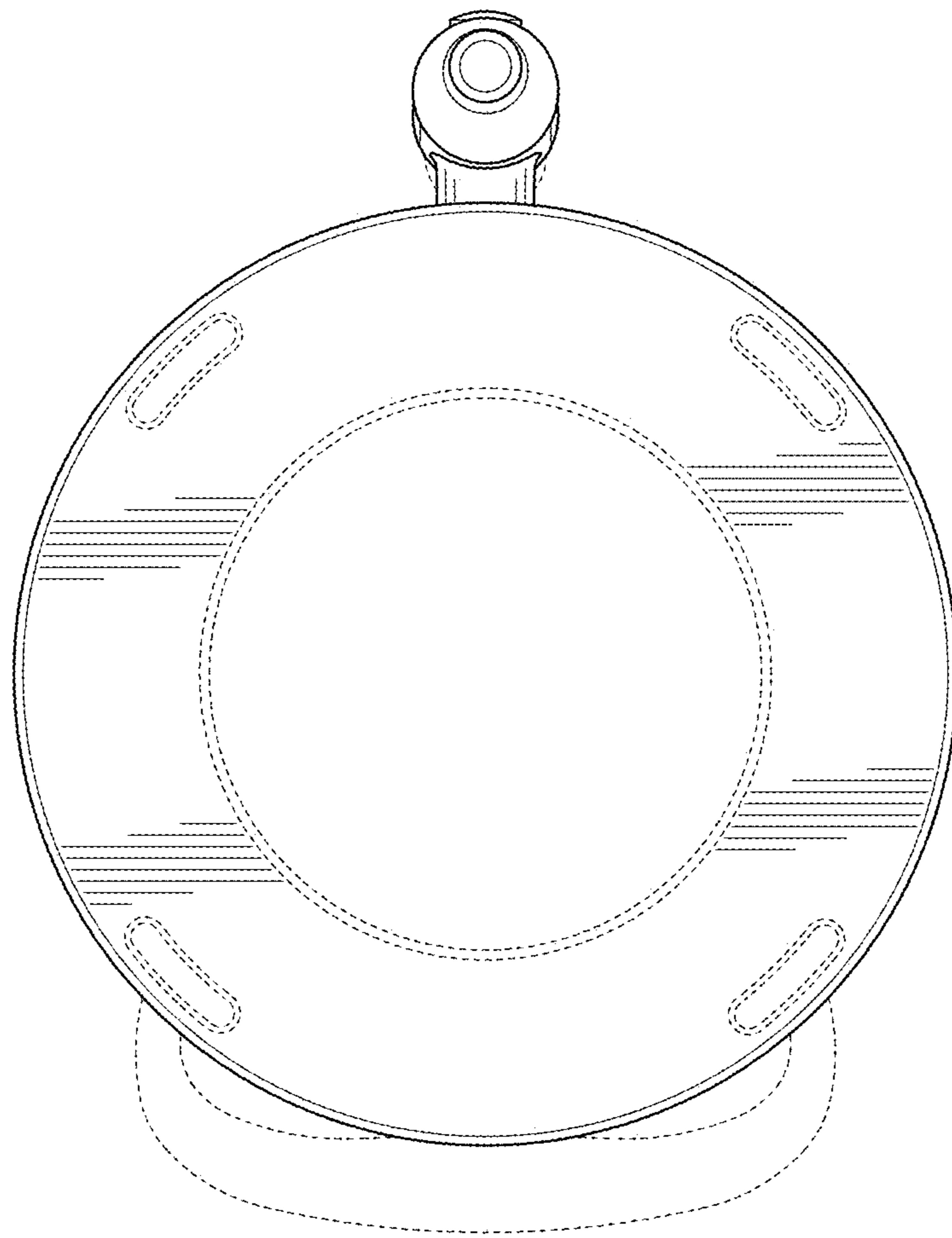


FIG. 4

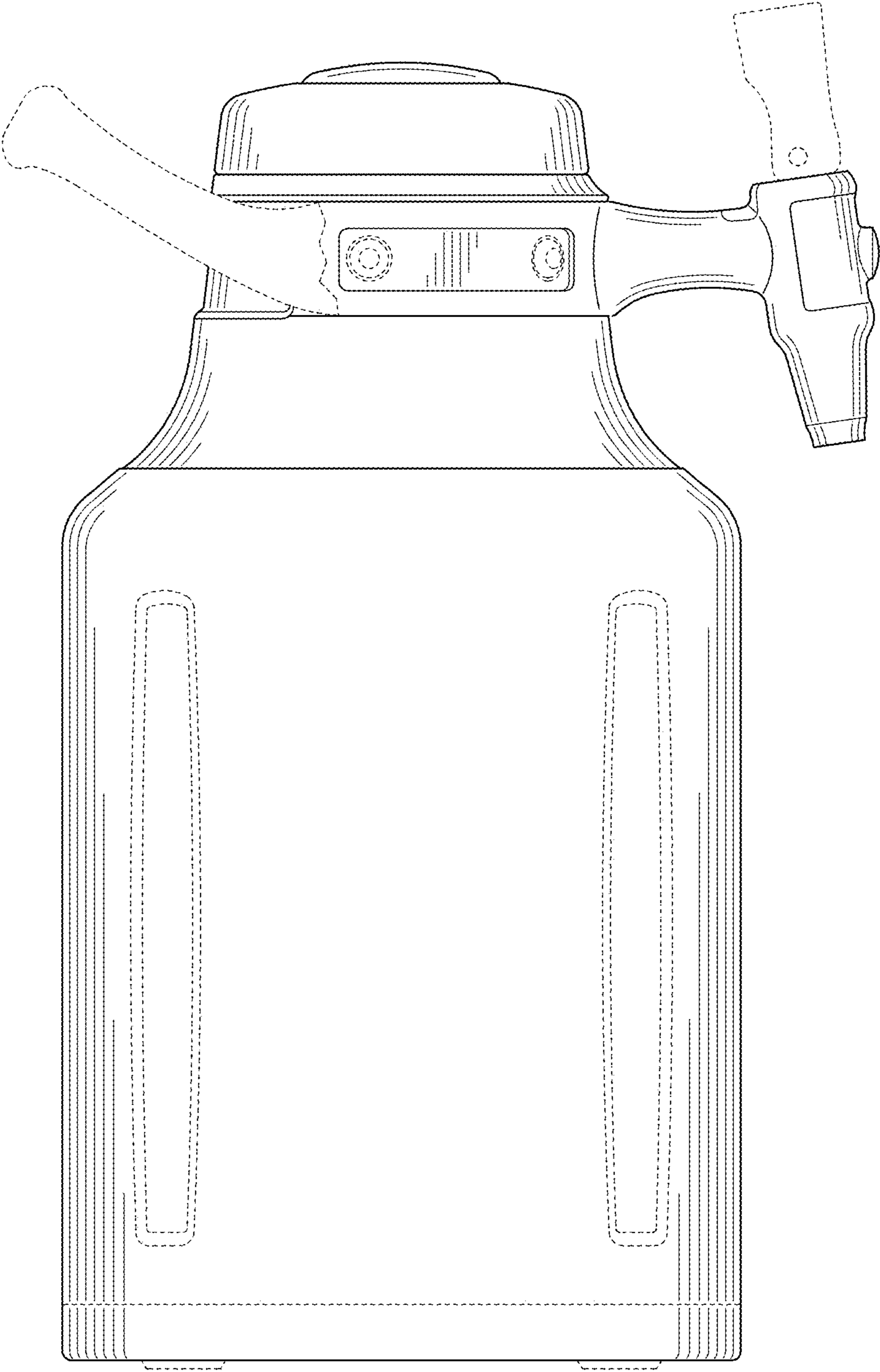


FIG. 5

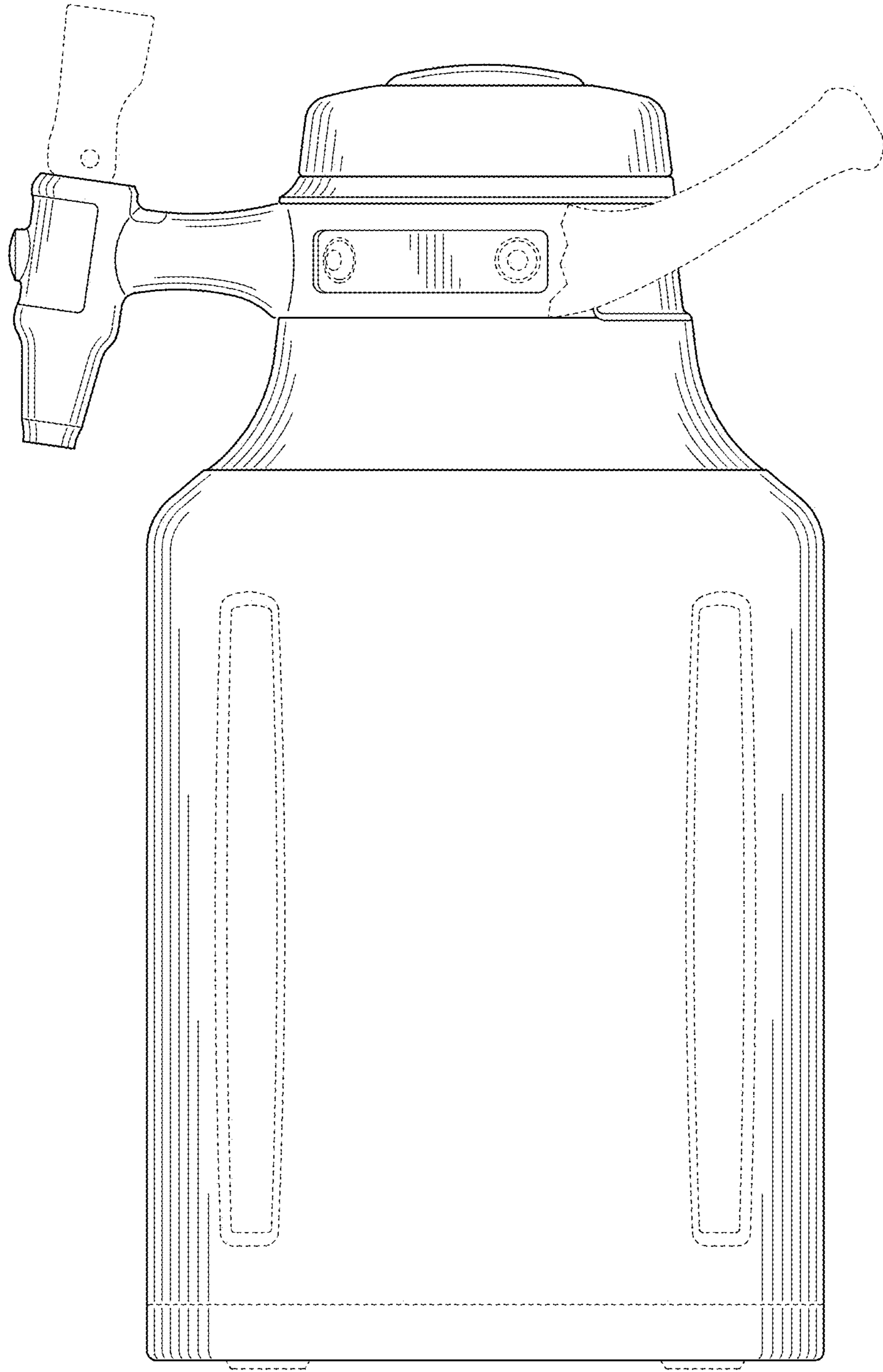


FIG. 6

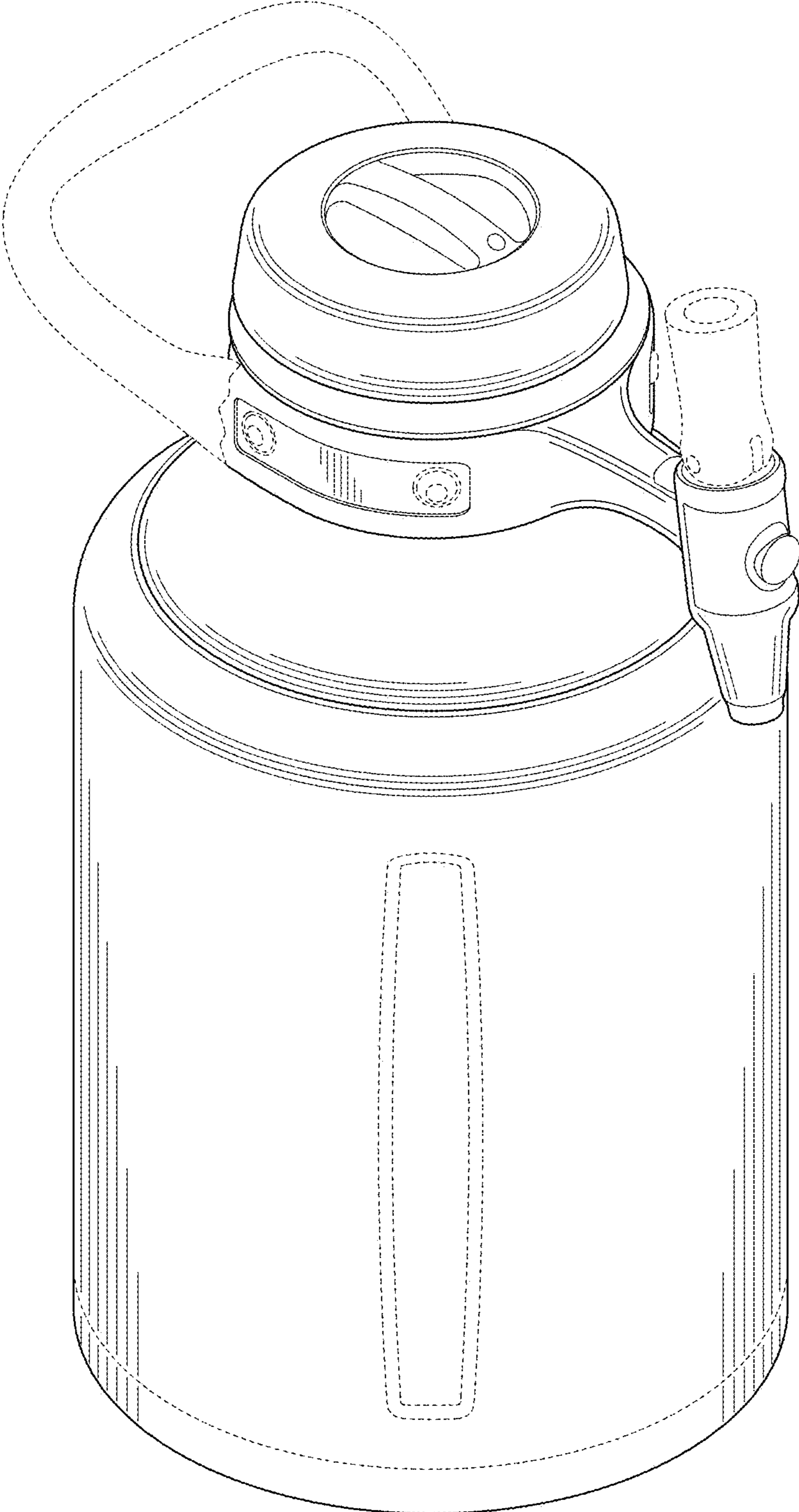


FIG. 7

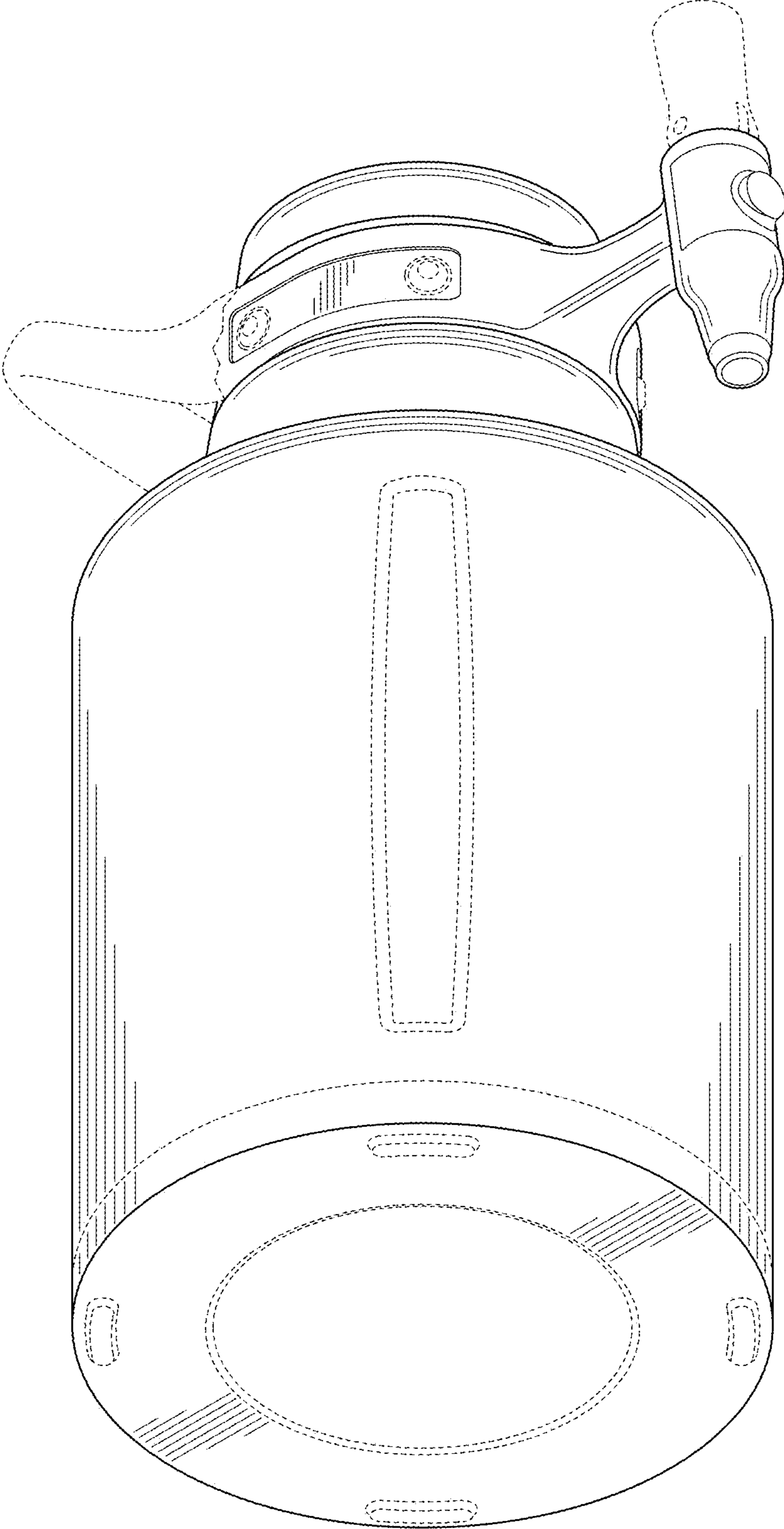


FIG. 8