



US00D951710S

(12) **United States Design Patent**
Luo

(10) **Patent No.:** **US D951,710 S**

(45) **Date of Patent:** **** May 17, 2022**

- (54) **WOODEN TURNTABLE**
- (71) Applicant: **GUANGZHOU MIANMIANYU ELECTRONIC COMMERCE CO., LTD.**, Guangzhou (CN)
- (72) Inventor: **Kefeng Luo**, Guangzhou (CN)
- (73) Assignee: **GUANGZHOU MIANMIANYU ELECTRONIC COMMERCE CO., LTD.**, Guangzhou (CN)
- (**) Term: **15 Years**
- (21) Appl. No.: **29/798,056**
- (22) Filed: **Jul. 6, 2021**
- (51) **LOC (13) Cl.** **07-01**
- (52) **U.S. Cl.**
USPC **D7/501**
- (58) **Field of Classification Search**
USPC D7/501, 500, 553.6, 554.1, 590, 600.2;
211/74, 133.4, 131.1; D6/691, 349, 685,
D6/406.6; 40/377
CPC A47J 47/16; A47B 49/004
See application file for complete search history.

(56) **References Cited**

U.S. PATENT DOCUMENTS

- 2,620,089 A * 12/1952 Van Loghem A47G 23/03
220/605
- D238,039 S * 12/1975 Juhlin D7/584
- 3,951,079 A * 4/1976 Tolleson A47F 5/02
108/94
- D270,799 S * 10/1983 Creske D7/553.6
- D286,130 S * 10/1986 Bowen D7/402
- D297,897 S * 10/1988 Stackhouse D6/677
- D301,956 S * 7/1989 Newton D7/501
- D312,554 S * 12/1990 Daenen D7/501
- D322,011 S * 12/1991 Asner D7/554.2
- D365,498 S * 12/1995 Lillelund D7/505

- 5,533,857 A * 7/1996 Ferrone A47B 11/00
414/757
- D373,865 S * 9/1996 Wells D32/54
- D386,792 S * 11/1997 Miller D20/21
- D572,733 S * 7/2008 Ota D15/138
- D593,585 S * 6/2009 Ota D15/138
- D595,088 S * 6/2009 Watts D7/501
- D761,621 S * 7/2016 Hsu D7/501
- D787,368 S * 5/2017 Meyers D11/164
- D839,671 S * 2/2019 Greenwood
- D889,175 S * 7/2020 Clayton D6/705.1
- D894,686 S * 9/2020 Nagawkar D7/540
- D910,348 S * 2/2021 Snell
- D939,276 S * 12/2021 Greenwood D7/501

* cited by examiner

Primary Examiner — Cynthia R Underwood

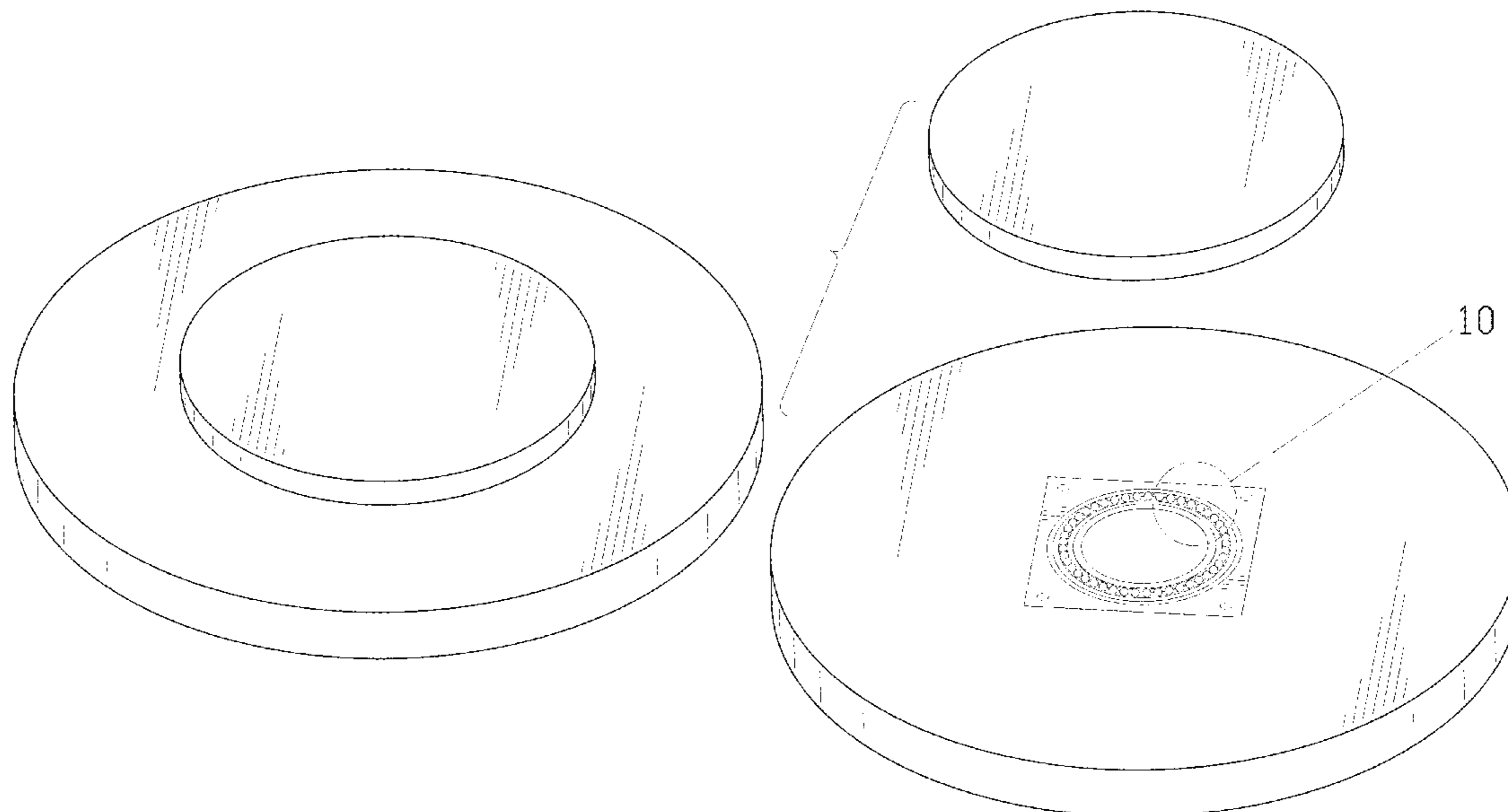
(57) **CLAIM**

The ornamental design for a wooden turntable, as shown and described.

DESCRIPTION

FIG. 1 is a perspective view of a wooden turntable showing my new design;
 FIG. 2 is another perspective view thereof;
 FIG. 3 is a front elevational view thereof;
 FIG. 4 is a rear elevational view thereof;
 FIG. 5 is a left side elevational view thereof;
 FIG. 6 is a right side elevational view thereof;
 FIG. 7 is a top plan view thereof;
 FIG. 8 is a bottom plan view thereof;
 FIG. 9 is an exploded perspective view of the wooden turntable; and,
 FIG. 10 is an enlarged view of portion 10 shown in FIG. 9. The broken lines shown in the drawings depict portions of the wooden turntable that form no part of the claim. The dot-dash-dot lines marking the location of the enlargement form no part of the claim.

1 Claim, 10 Drawing Sheets



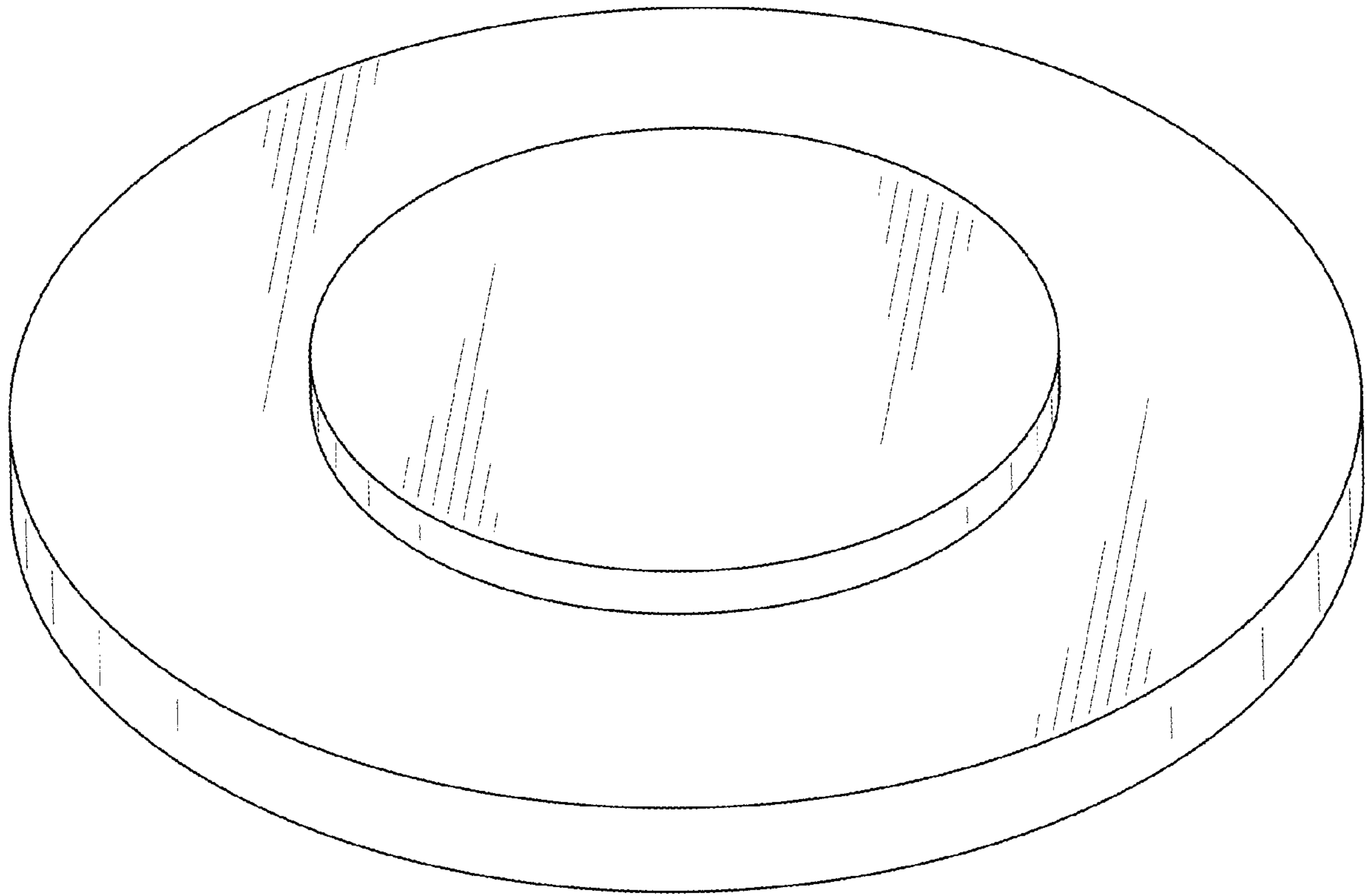


FIG. 1

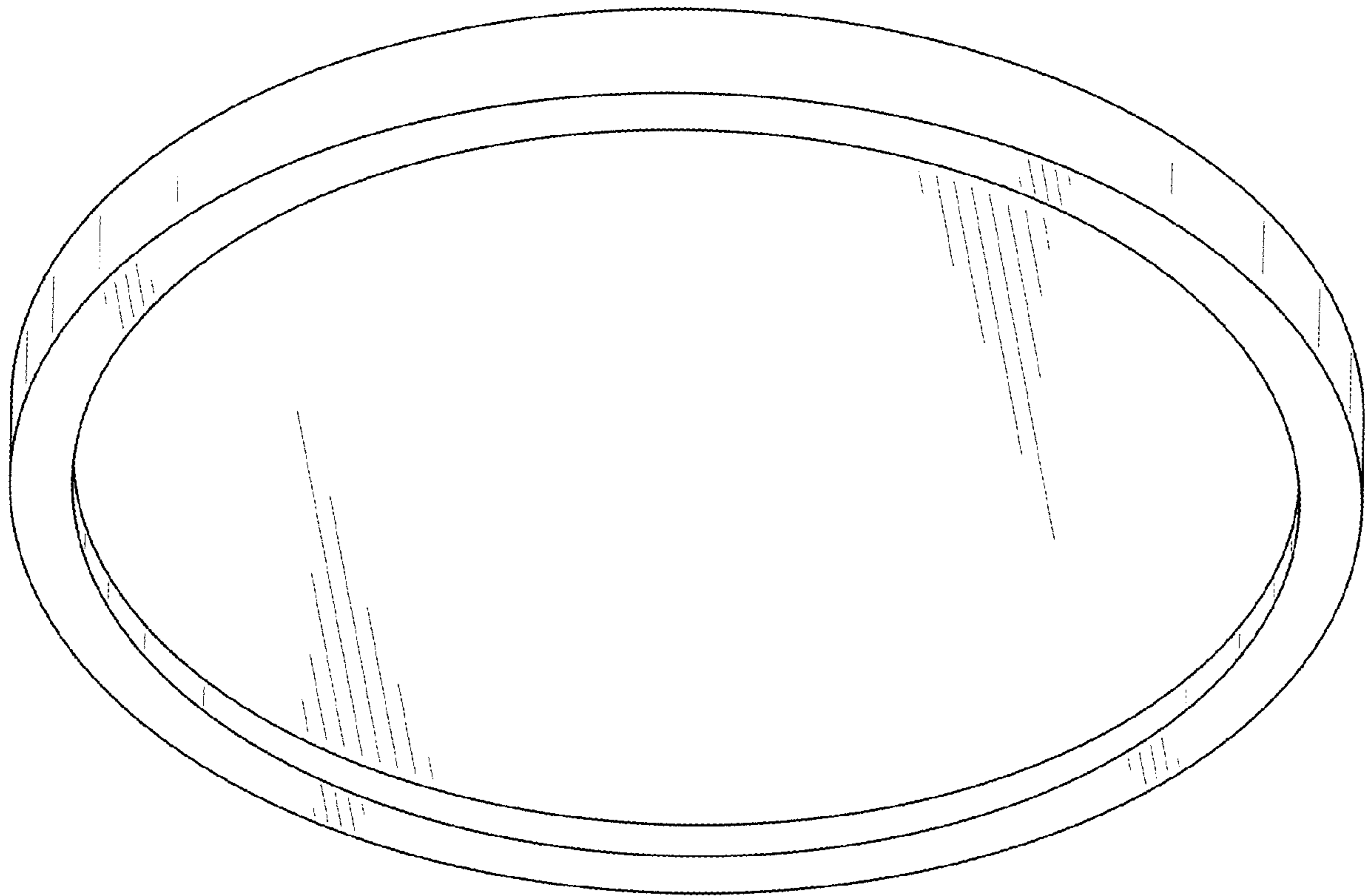


FIG. 2

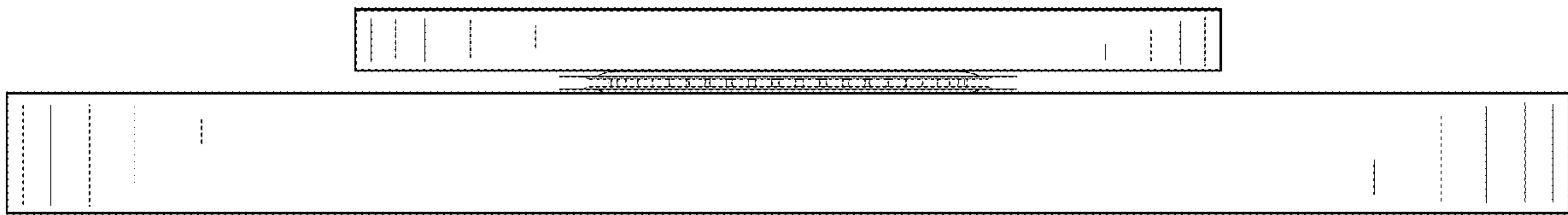


FIG. 3

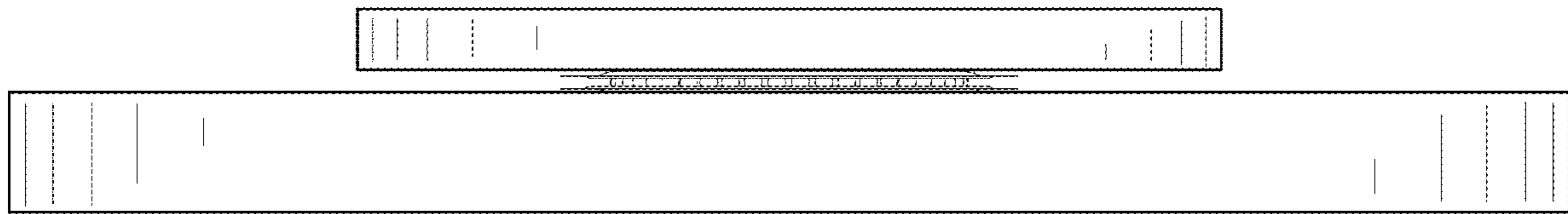


FIG. 4

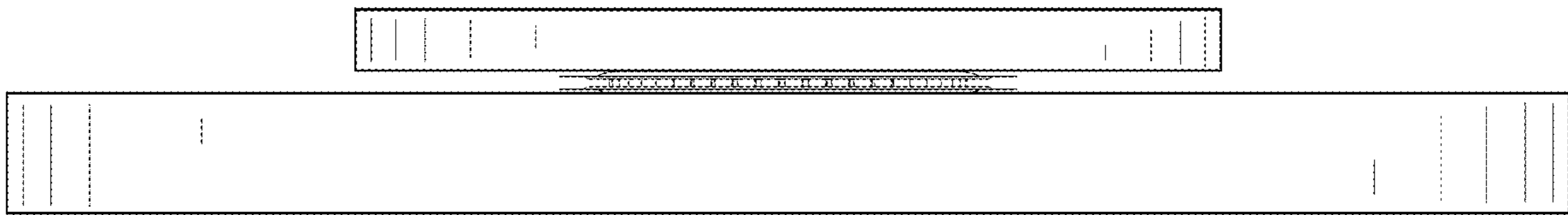


FIG. 5

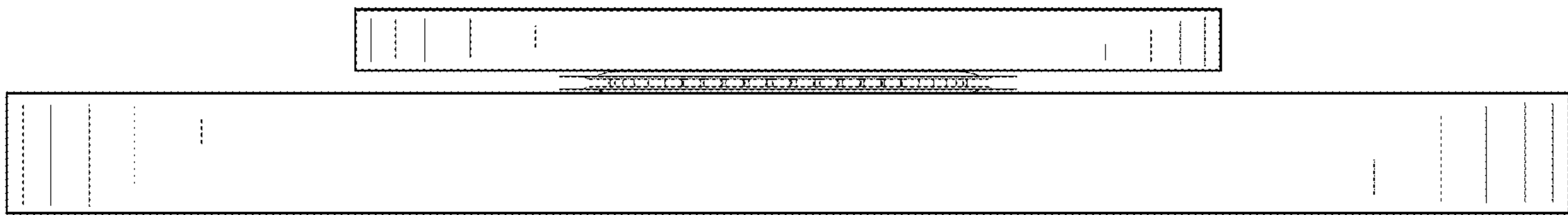


FIG. 6

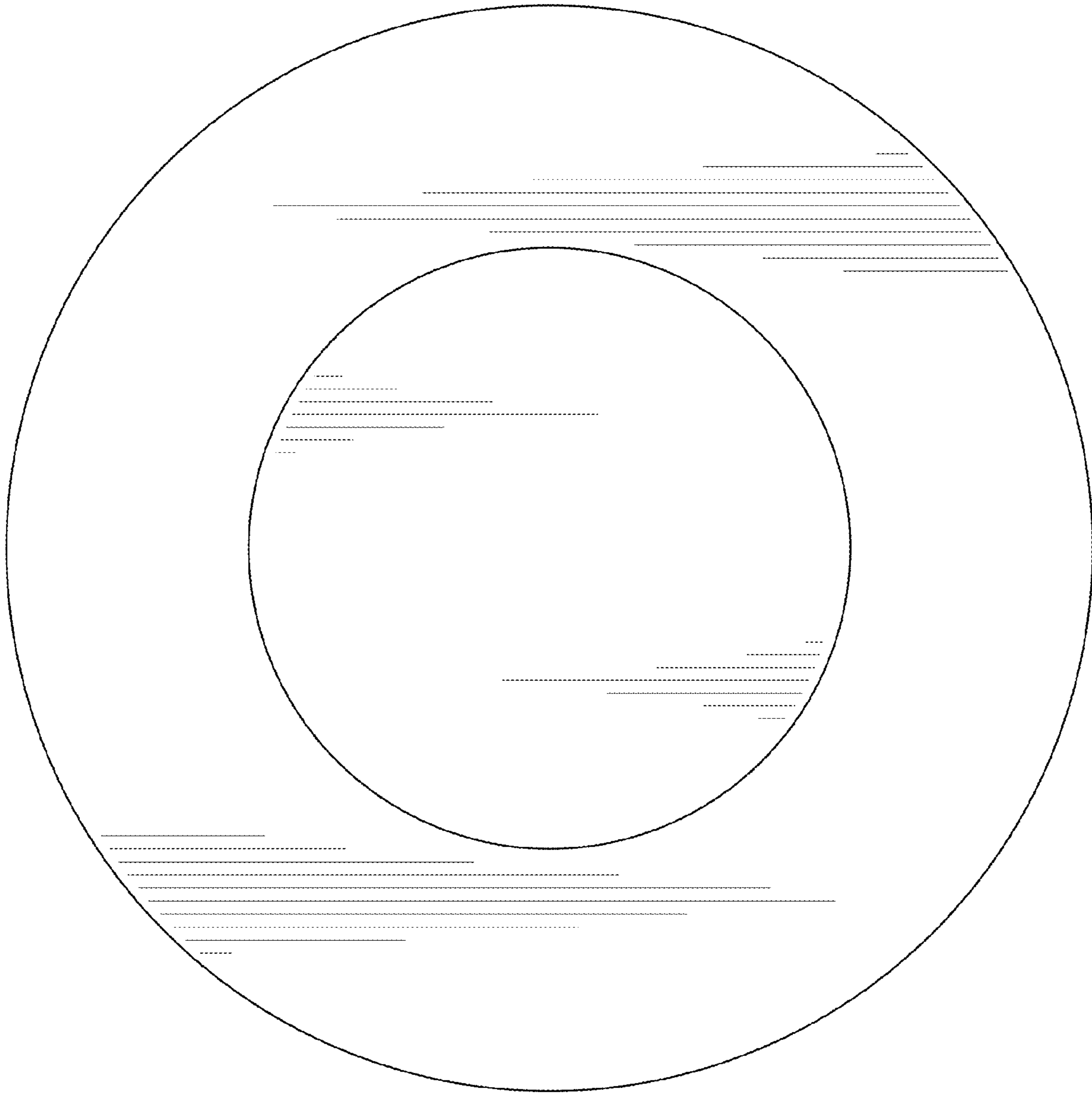


FIG. 7

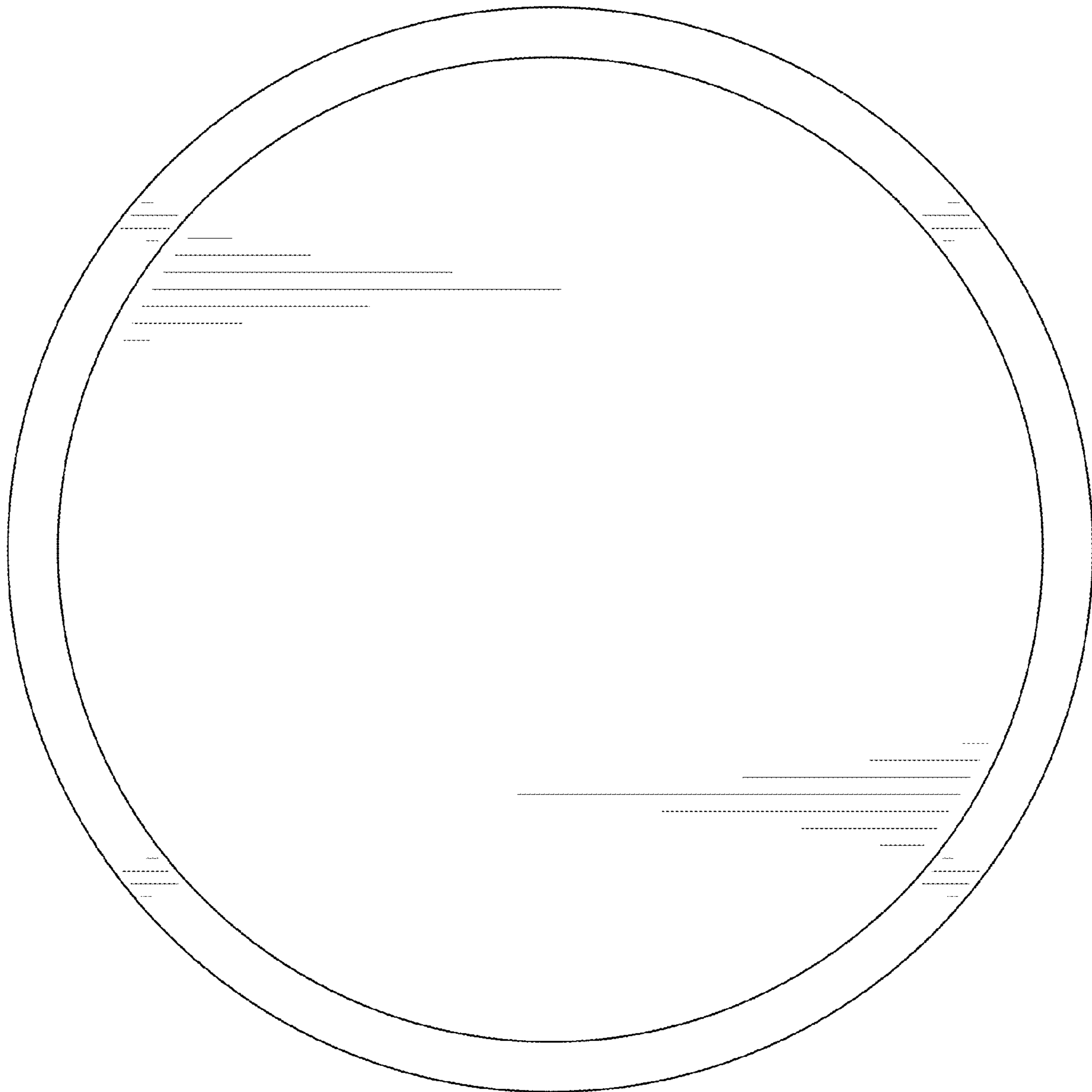


FIG. 8

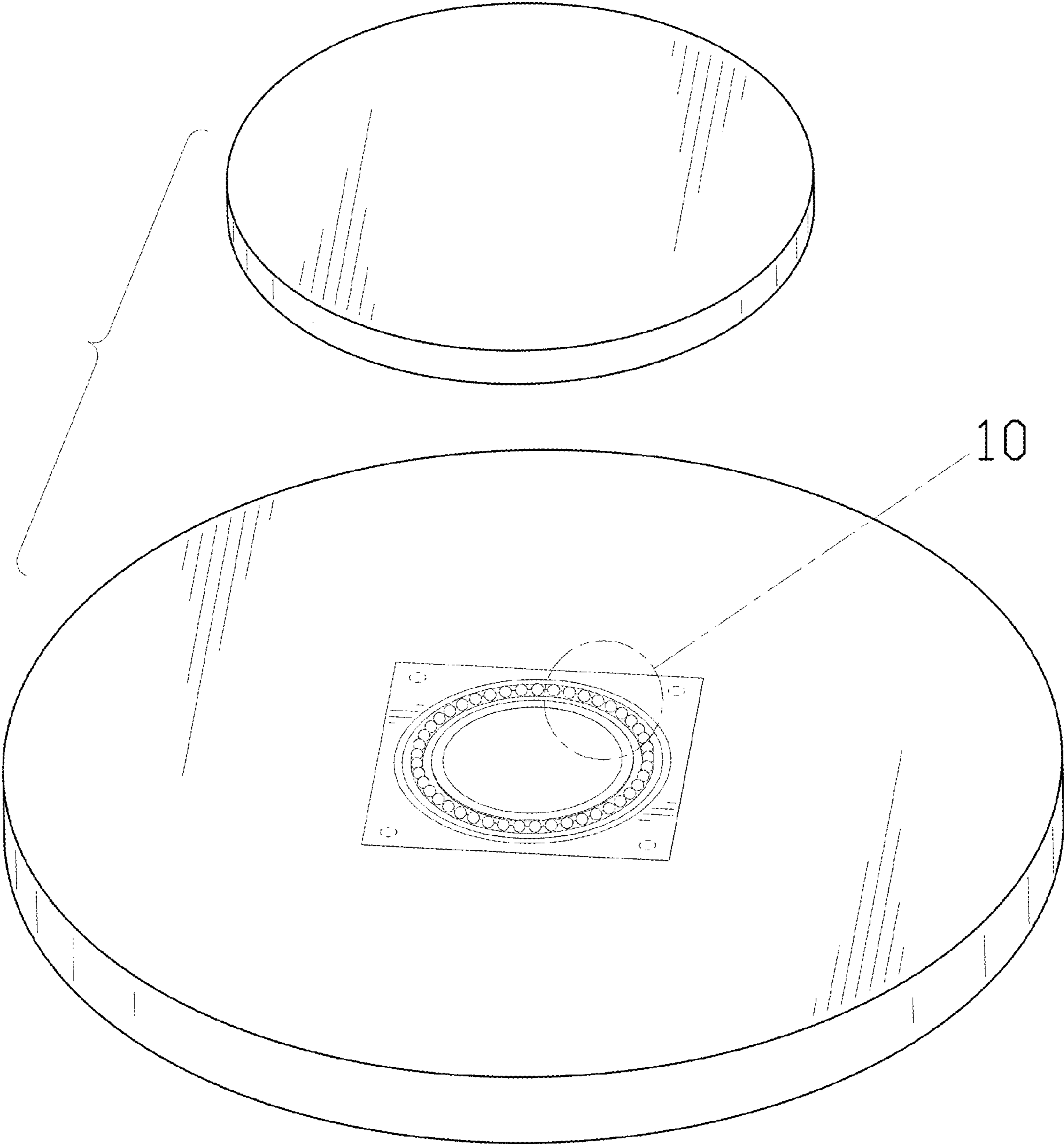


FIG. 9

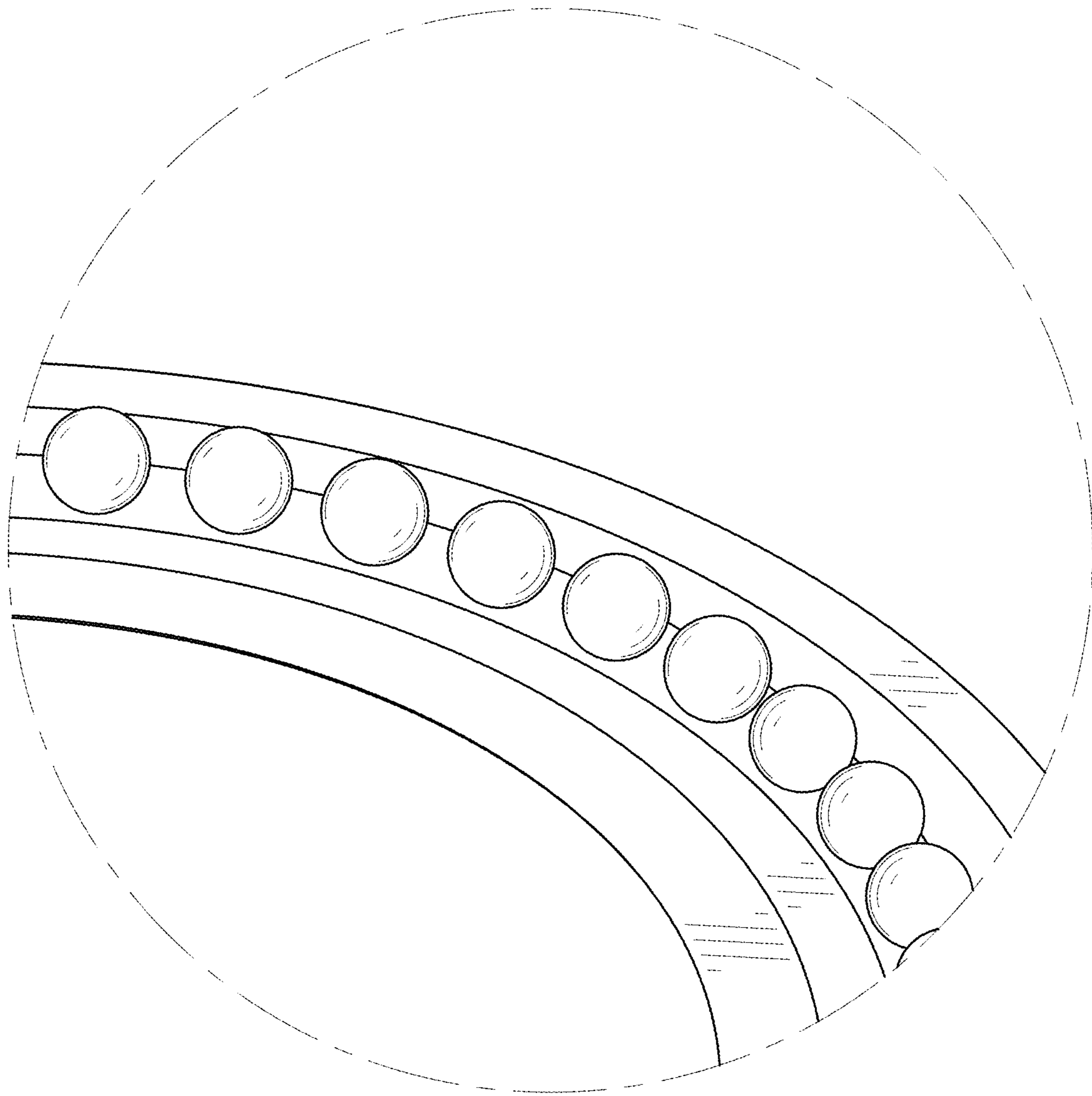


FIG. 10