



US00D951709S

(12) **United States Design Patent**  
**Chiang**

(10) **Patent No.:** **US D951,709 S**

(45) **Date of Patent:** **\*\* May 17, 2022**

(54) **PIZZA RACK**

(71) Applicant: **My Gift Enterprise, LLC**,  
Woodinville, WA (US)

(72) Inventor: **Cliff Chiang**, Woodinville, WA (US)

(73) Assignee: **MyGift Enterprise, LLC**, Snohomish,  
WA (US)

(\*) Notice: Patent file contains an affidavit/declaration  
under 37 CFR 1.130(b).

(\*\*) Term: **15 Years**

(21) Appl. No.: **29/713,409**

(22) Filed: **Nov. 15, 2019**

(51) **LOC (13) Cl.** ..... **07-02**

(52) **U.S. Cl.**  
USPC ..... **D7/409**

(58) **Field of Classification Search**

USPC ..... D6/677.1; D7/323, 332, 334-337,  
D7/354-355, 359-364, 387-388, 402,  
D7/407-409, 600.2

CPC .... A21B 2/00; A21B 3/00; A21B 3/13; A21B  
3/15; A21B 5/00; A21B 5/02; A23N  
12/06; A23N 12/08; A23N 12/10; A47J  
33/00; A47J 37/00; A47J 37/04; A47J  
37/041; A47J 37/042; A47J 37/06; A47J  
37/0688; A47J 37/0694; A47J 37/07;  
A47J 37/0704; A47J 37/0772; A47J  
37/10; A47J 47/20; A47J 2037/00; A47J  
2037/06; A47J 2037/0611; A47J 2037/07;  
A47J 2037/0786; A47J 2037/0795; F24B  
1/182; F24B 1/205; F24C 15/10; F24C  
15/12; F24C 15/14; F24C 15/16; F24C  
15/18; F24C 15/164; A47G 23/02; A47G  
23/08; A47B 7/02; A47F 5/05

See application file for complete search history.

(56) **References Cited**

U.S. PATENT DOCUMENTS

|           |      |         |          |       |            |
|-----------|------|---------|----------|-------|------------|
| 3,100,459 | A *  | 8/1963  | Liss     | ..... | A47B 7/02  |
|           |      |         |          |       | 108/91     |
| 3,139,209 | A *  | 6/1964  | Wise     | ..... | A47G 23/02 |
|           |      |         |          |       | 220/23.83  |
| 4,218,979 | A *  | 8/1980  | Esposito | ..... | A47F 5/05  |
|           |      |         |          |       | 108/106    |
| D561,539  | S *  | 2/2008  | Snider   | ..... | D7/600.2   |
| 9,004,428 | B2 * | 4/2015  | McCalla  | ..... | A47G 23/08 |
|           |      |         |          |       | 248/250    |
| D868,511  | S *  | 12/2019 | McBride  | ..... | D6/677.1   |

OTHER PUBLICATIONS

MyGift Metal Wire Round Pizza Pan Risers Racks. Date First  
Available on Amazon.com Nov. 29, 2018 <https://www.amazon.com/MyGift-Metal-Round-Pizza-Riser/dp/B07KYVF1HZ/ref> (Year: 2018).\*

\* cited by examiner

*Primary Examiner* — Ricky Pham

(74) *Attorney, Agent, or Firm* — Dean A Craine; Marisa  
C Whitaker

(57) **CLAIM**

The ornamental design for the pizza rack, as shown and  
described.

**DESCRIPTION**

FIG. 1 is a front perspective view of a. pizza rack, showing  
my new design.

FIG. 2 is a front elevational view of thereof.

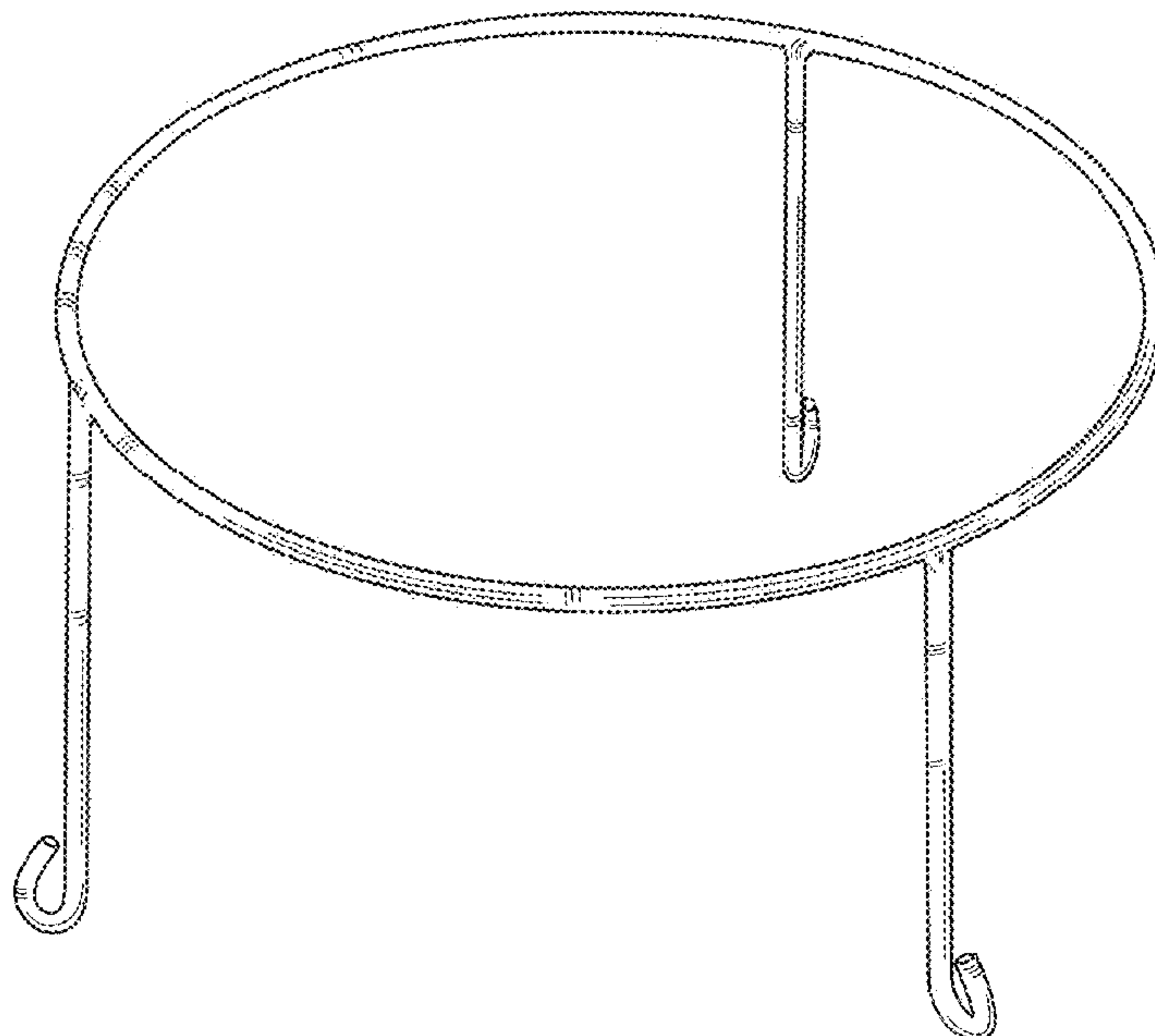
FIG. 3 is a rear elevational view thereof

FIG. 4 is a top plan view thereof.

FIG. 5 is bottom view thereof; and,

FIG. 6 is a left side elevational view thereof, the right side  
being a mirror image.

**1 Claim, 6 Drawing Sheets**



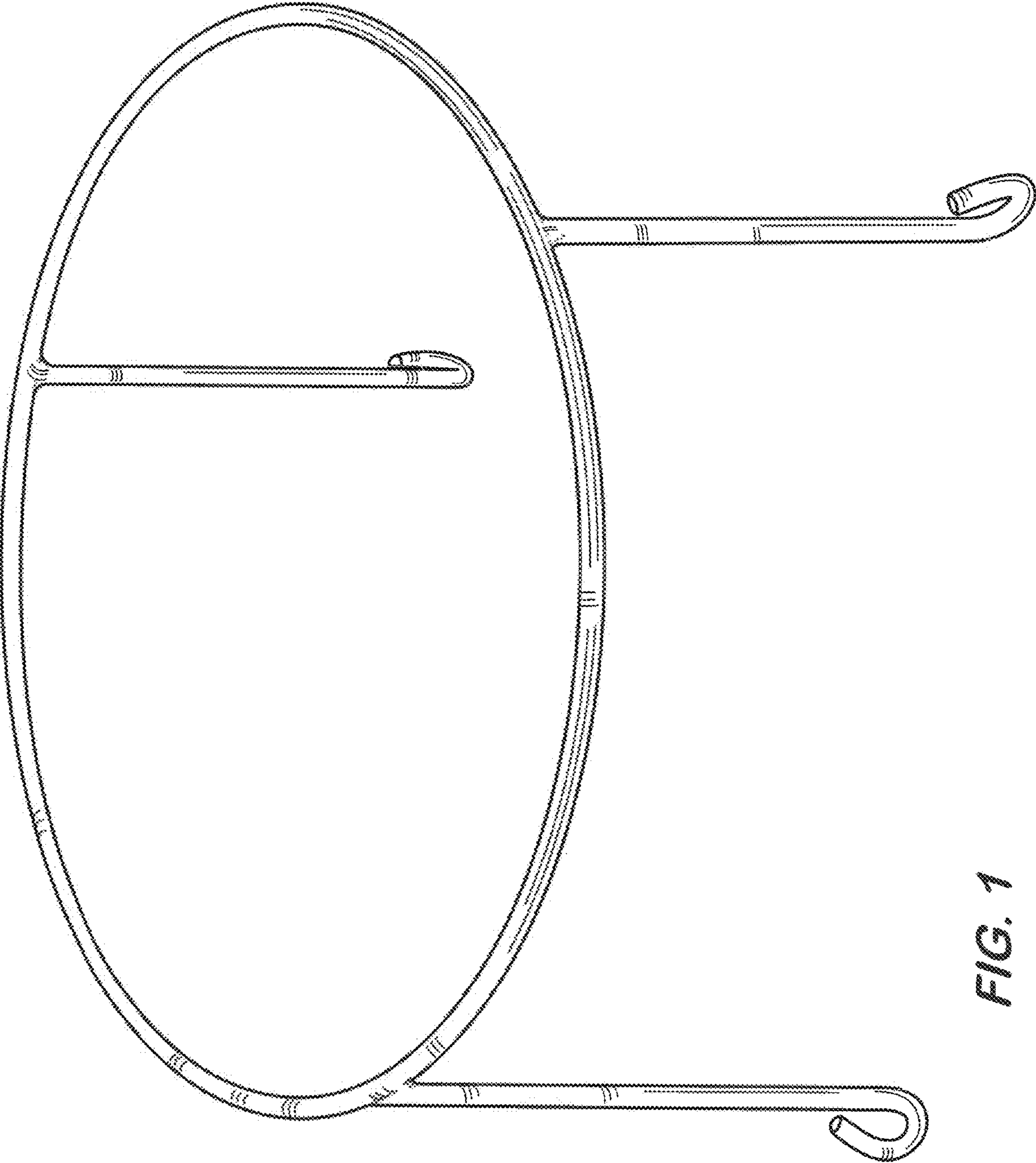


FIG. 1

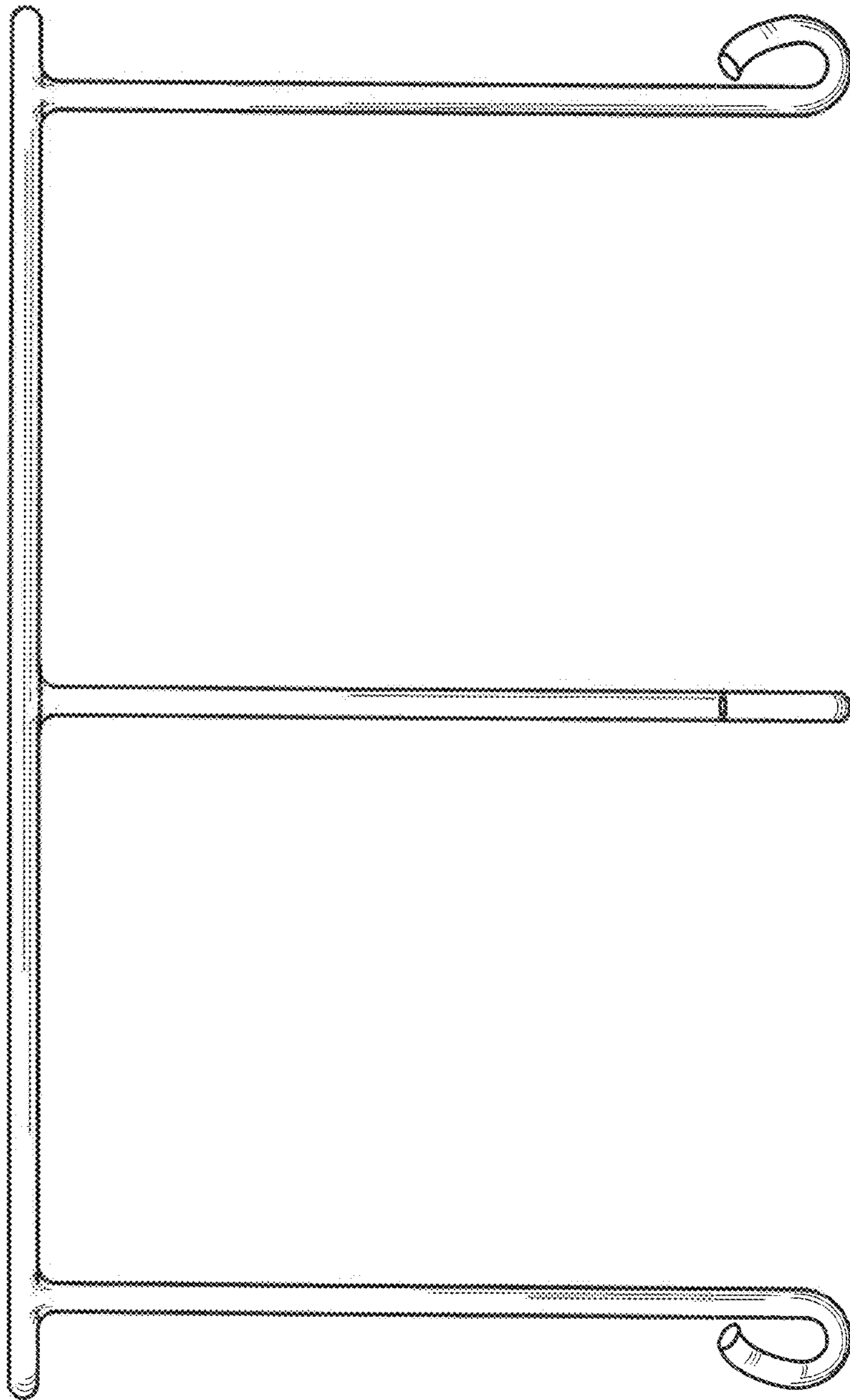


FIG. 2

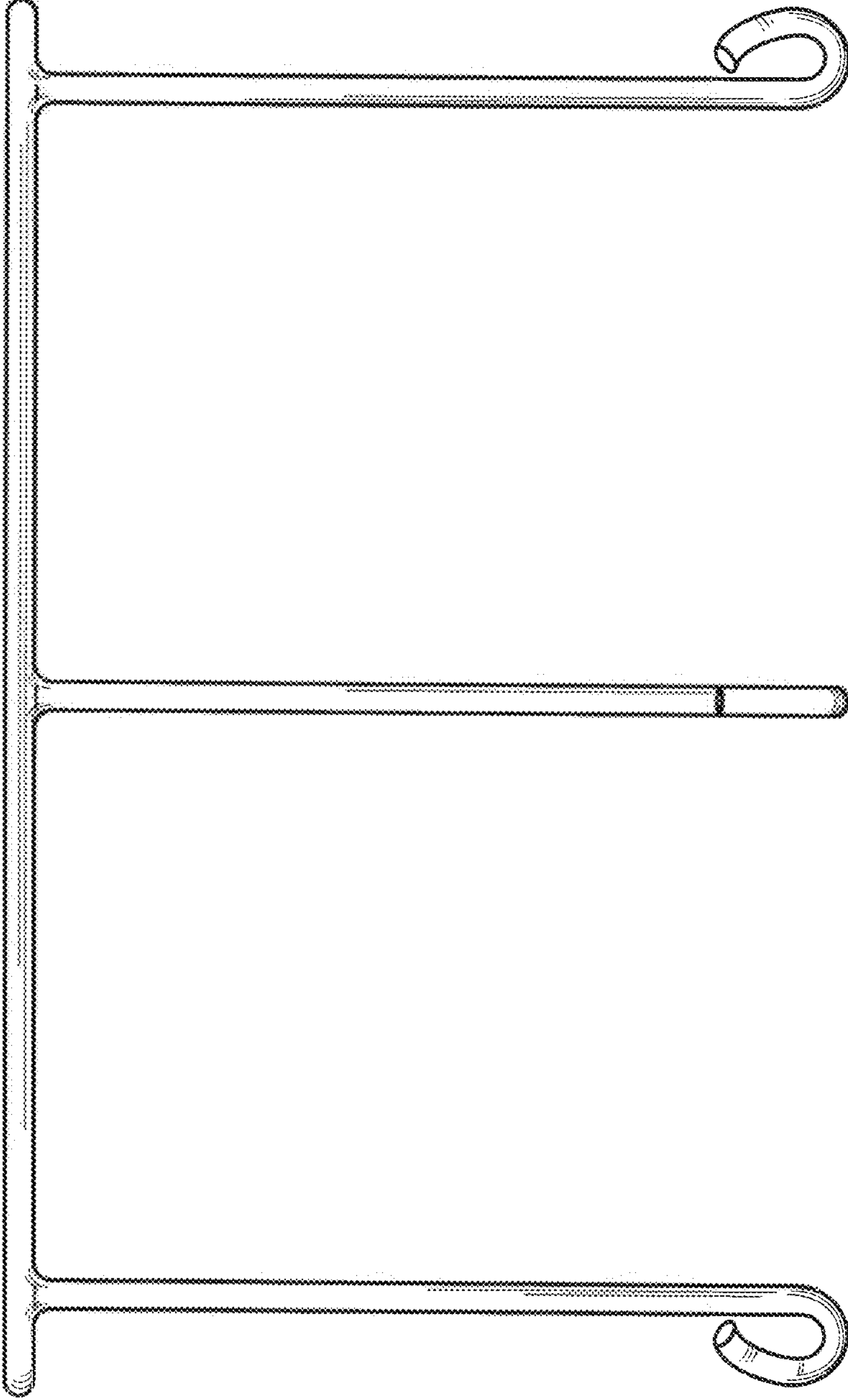


FIG. 3

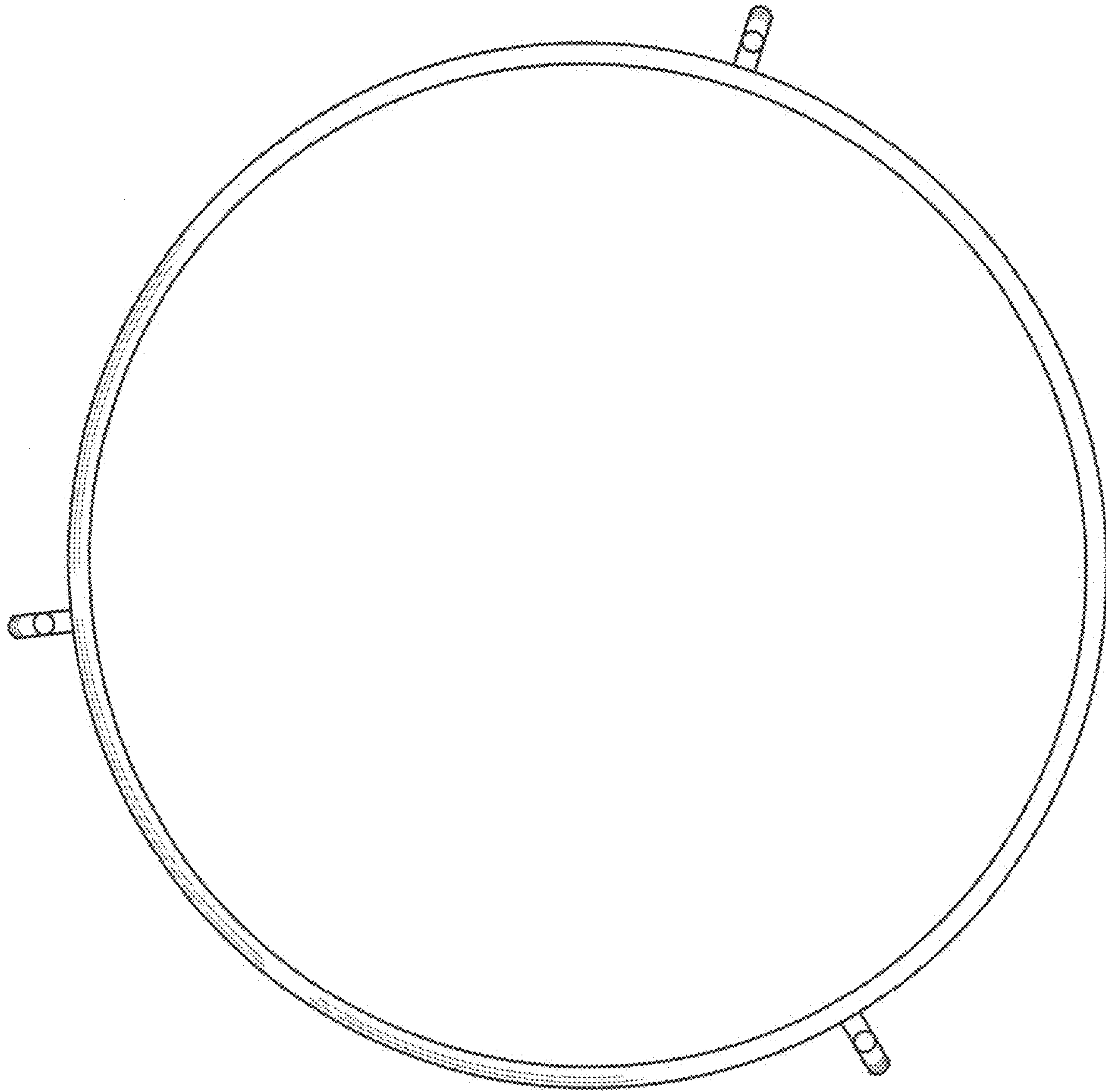


FIG. 4



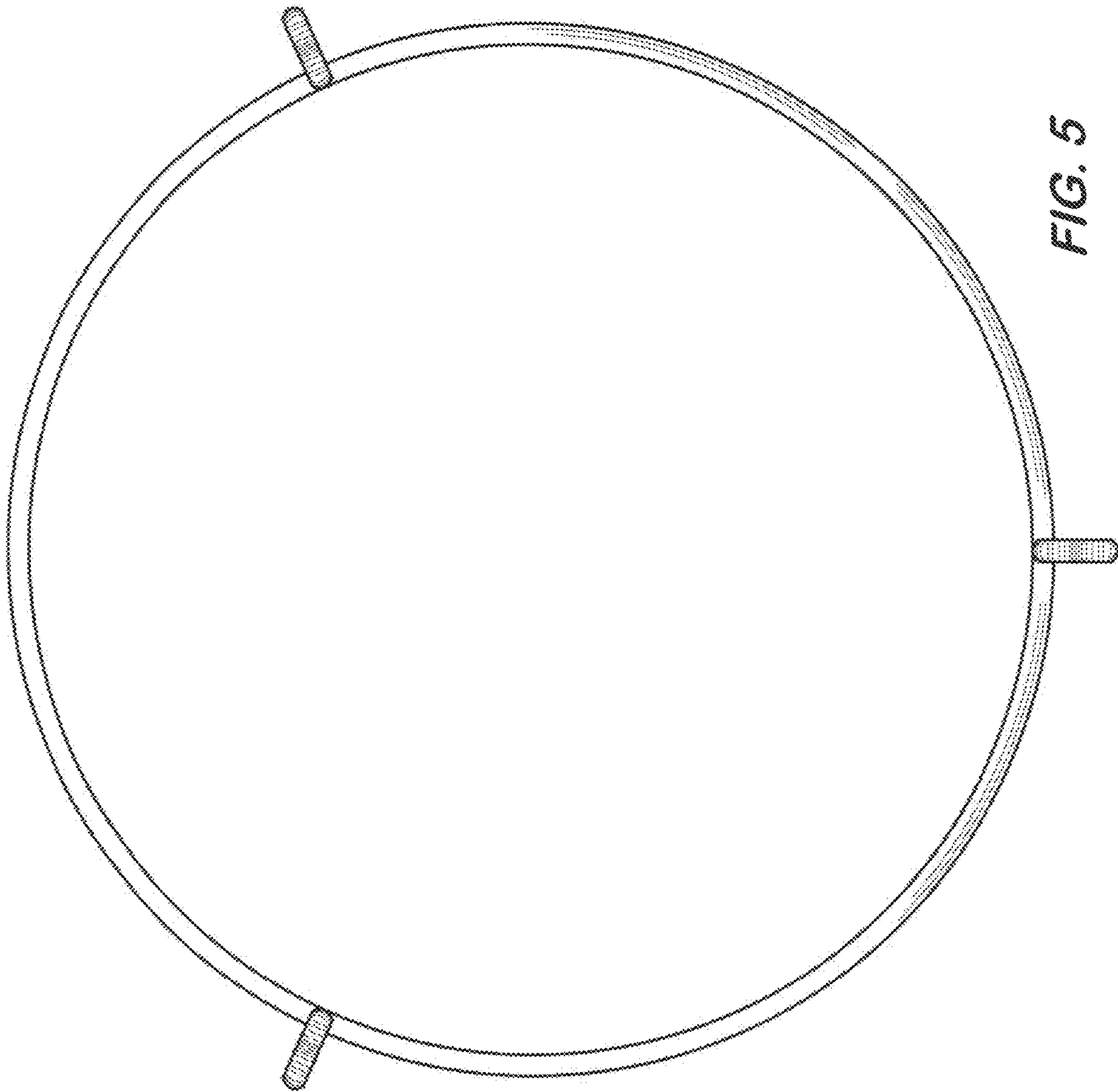
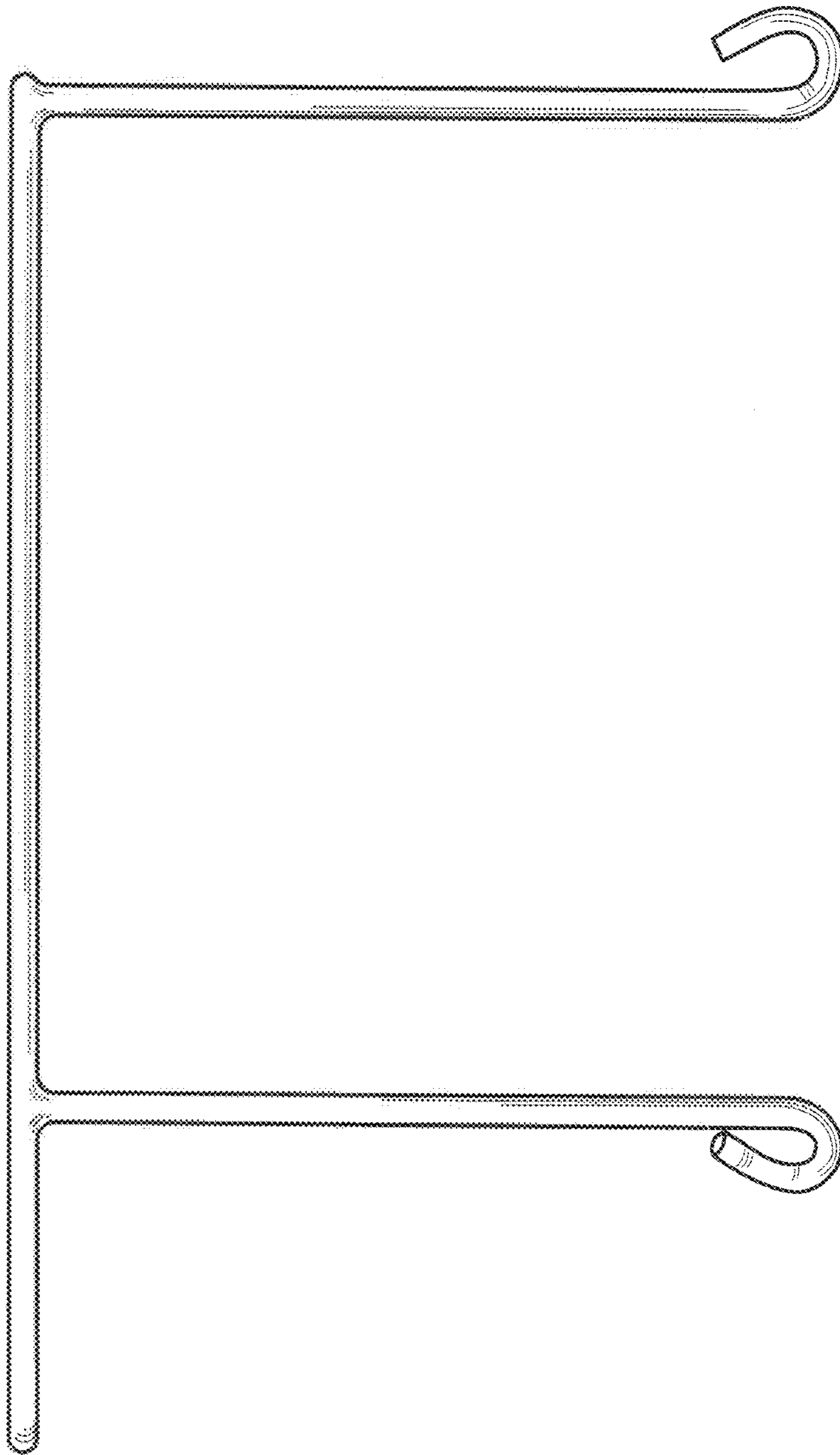


FIG. 5



*FIG. 6*