



US00D951708S

(12) **United States Design Patent** (10) **Patent No.:** **US D951,708 S**
Gradon (45) **Date of Patent:** **** May 17, 2022**

(54) **BARBECUE OFFSET PLATE**

(71) Applicant: **Justin Gradon**, Pakenham (AU)

(72) Inventor: **Justin Gradon**, Pakenham (AU)

(**) Term: **15 Years**

(21) Appl. No.: **29/665,530**

(22) Filed: **Oct. 4, 2018**

(51) **LOC (13) Cl.** **07-99**

(52) **U.S. Cl.**
USPC **D7/409**

(58) **Field of Classification Search**
USPC D7/407, 213, 408, 409, 410, 411, 391,
D7/396.1, 402, 550.1, 552.1, 554.2;
D8/7, 10, 45
CPC A47J 37/07; A47J 43/00
See application file for complete search history.

(56) **References Cited**

U.S. PATENT DOCUMENTS

D232,796 S	*	9/1974	Smith	D7/552.1
D265,788 S	*	8/1982	Swinn	D7/396.1
D365,001 S	*	12/1995	Stewart	D8/45
D373,285 S	*	9/1996	Coroama	D7/359
D629,654 S	*	12/2010	Moon	D7/552.1
D668,508 S	*	10/2012	Zox	D7/552.1
D684,025 S	*	6/2013	Watson	D8/10
D768,436 S	*	10/2016	Chung	D7/409
D836,414 S	*	12/2018	Hayes, II	D8/45

OTHER PUBLICATIONS

JG bbq offset plate| posted at firebrandbbq.com.au, review posted on Oct. 12, 2017, © 2021 [online], [site visited May 20, 2021]. Available from Internet, <URL: https://firebrandbbq.com.au/product/jg-bbq-offset-plate/> (Year: 2017).*

* cited by examiner

Primary Examiner — Michelle E. Wilson
Assistant Examiner — Andrew Kerr

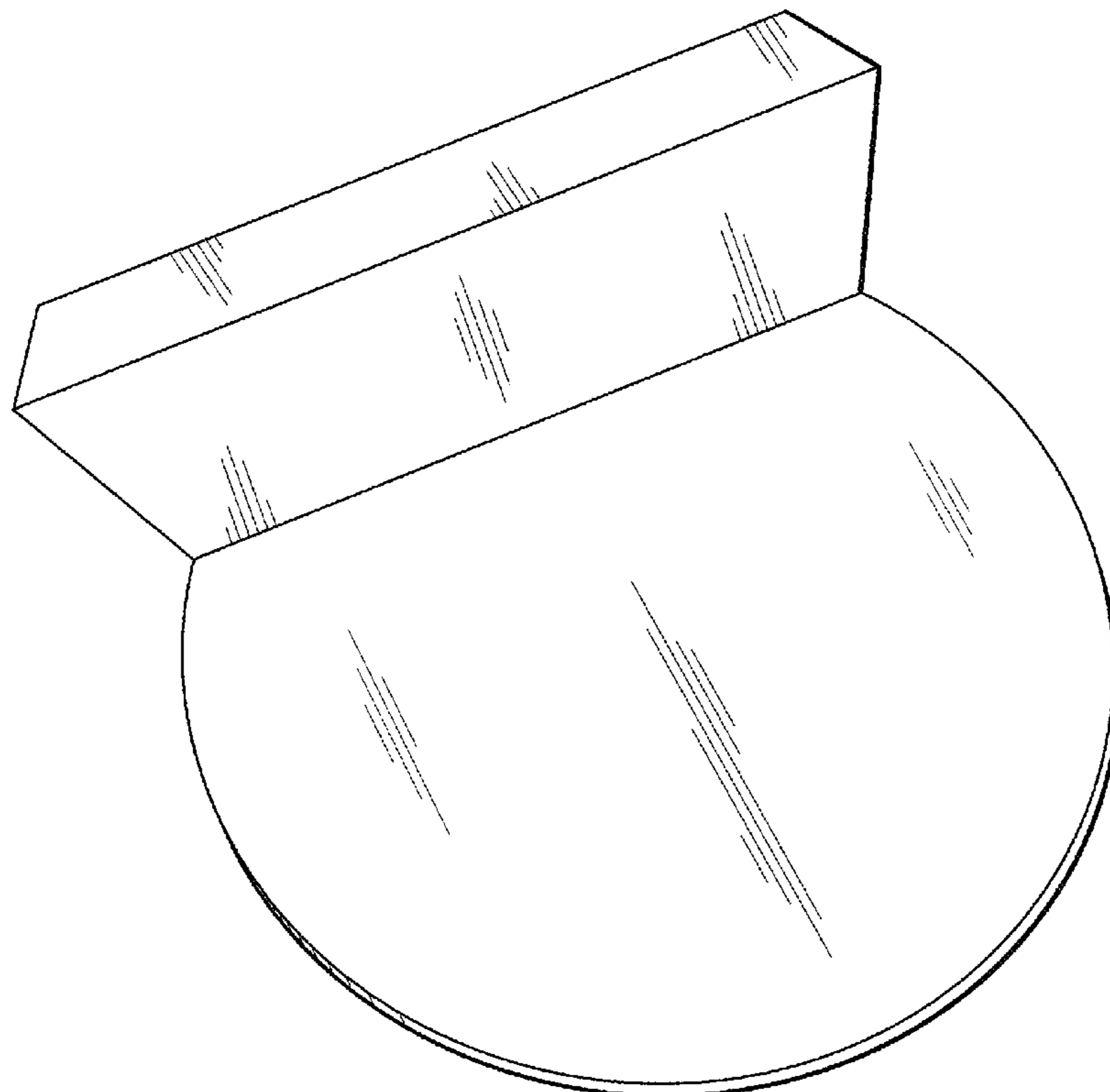
(57) **CLAIM**

The ornamental design for a barbecue offset plate, as shown and described.

DESCRIPTION

FIG. 1 is a top perspective view of a barbecue offset plate, showing my new design;
FIG. 2 is front elevational view of the barbecue offset plate of FIG. 1;
FIG. 3 is a rear elevational view of the barbecue offset plate of FIG. 1;
FIG. 4 is a right side elevational view of the barbecue offset plate of FIG. 1;
FIG. 5 is a left side elevational view of the barbecue offset plate of FIG. 1;
FIG. 6 is a top plan view of the barbecue offset plate of FIG. 1; and,
FIG. 7 is a bottom plan view of the barbecue offset plate of FIG. 1.

1 Claim, 5 Drawing Sheets



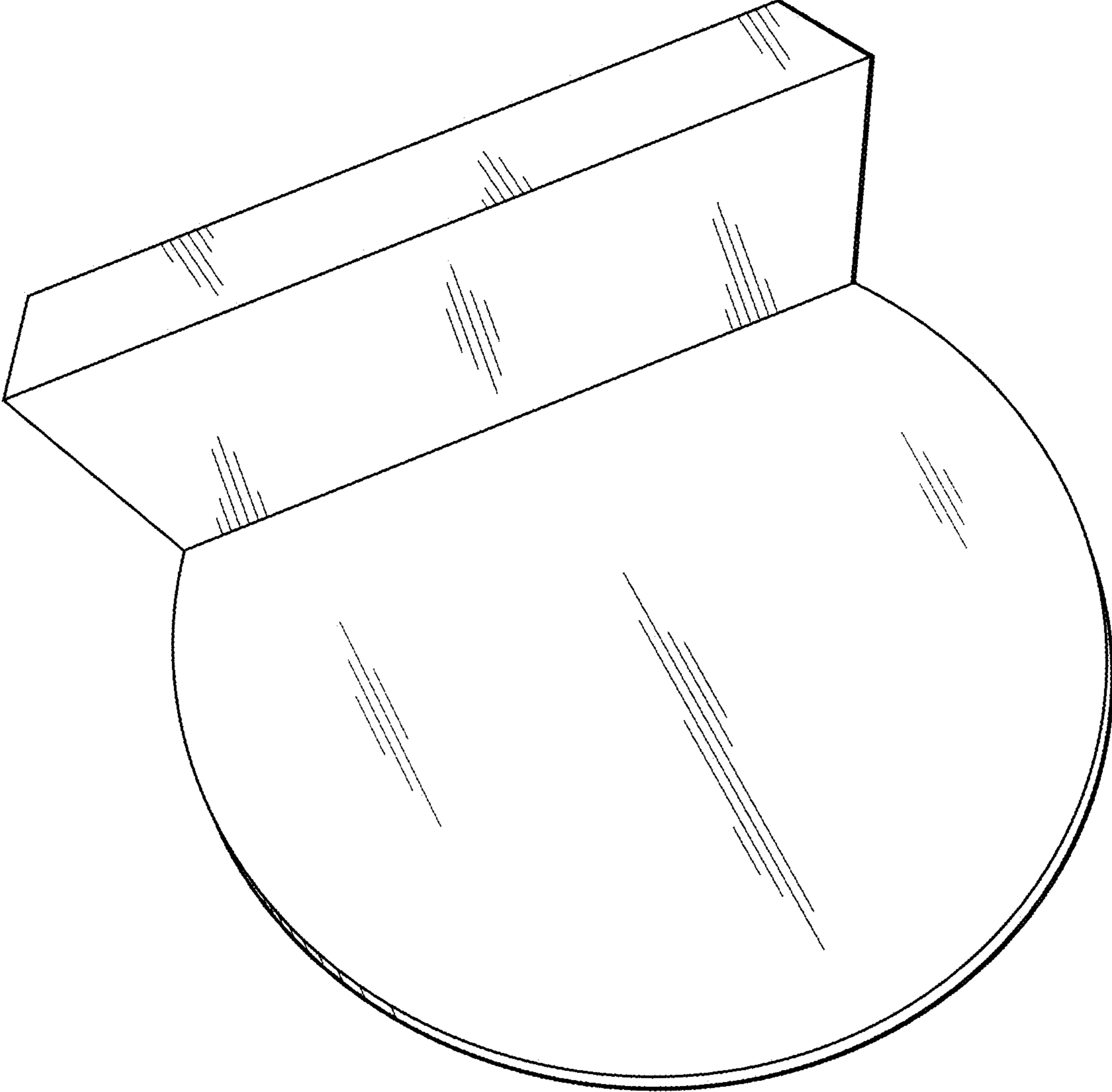


FIG. 1

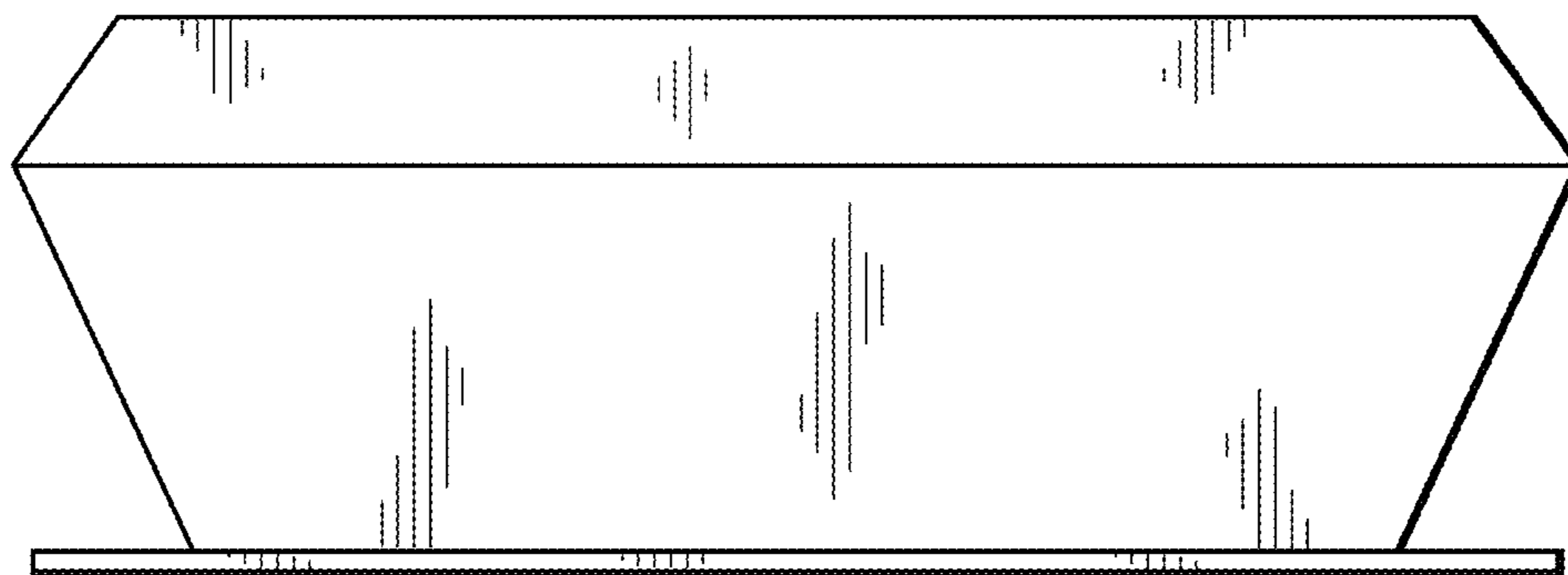


FIG. 2

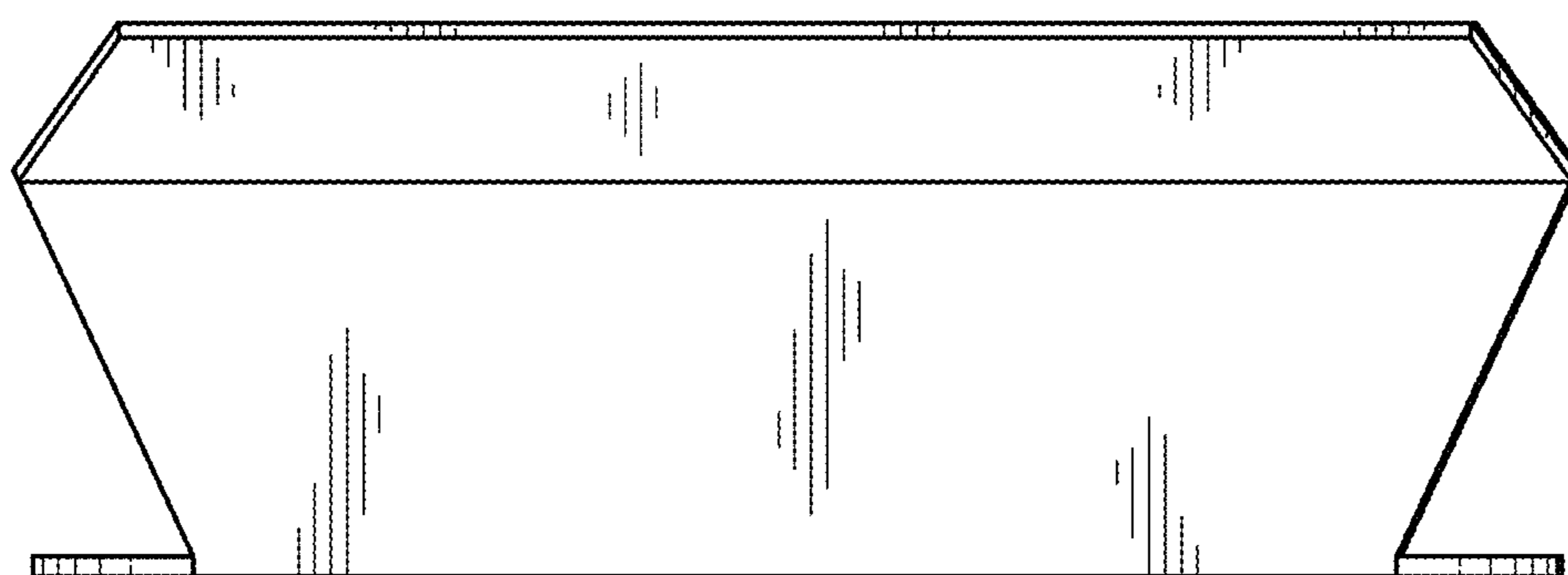


FIG. 3



FIG. 4



FIG. 5

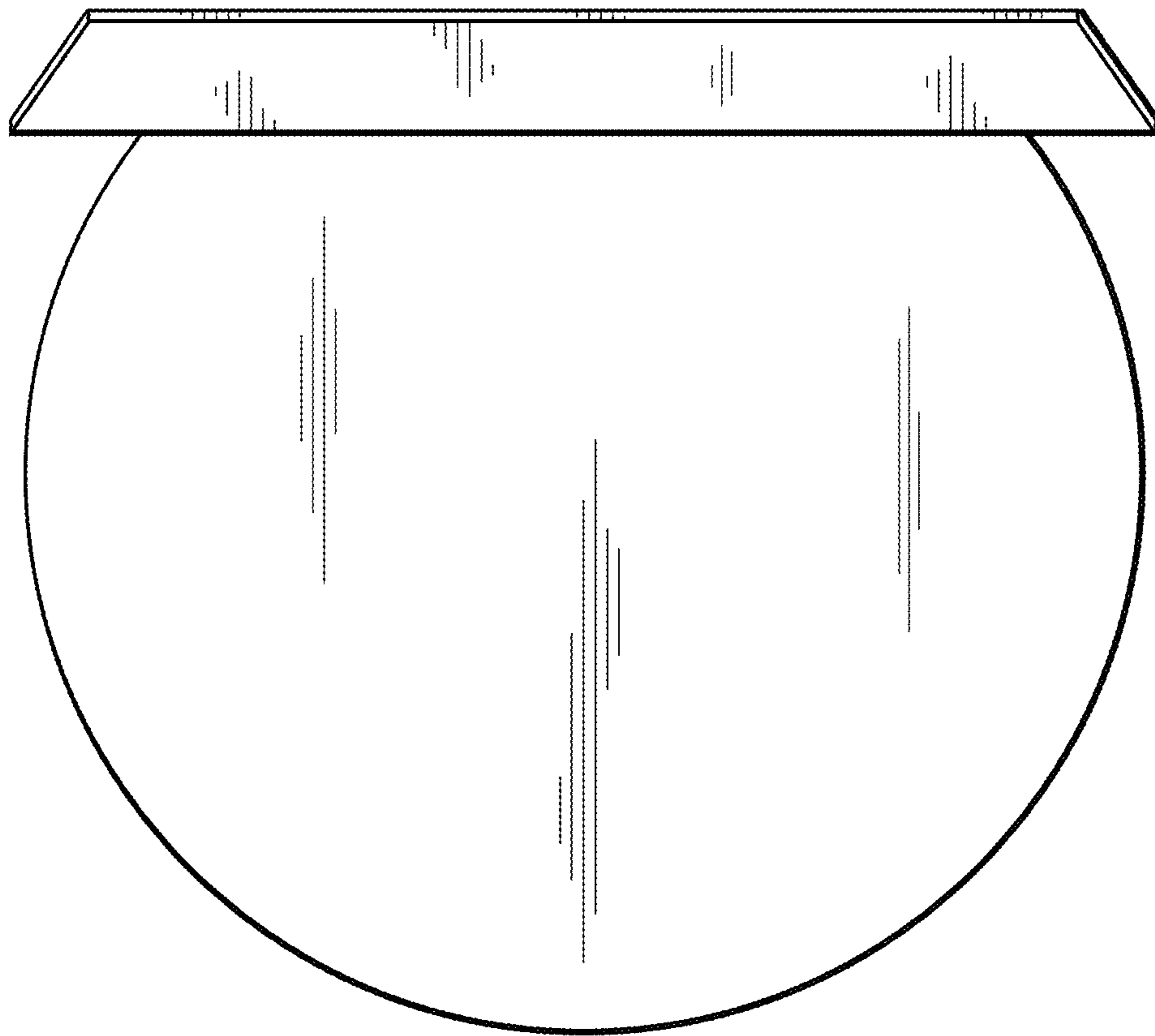


FIG. 6

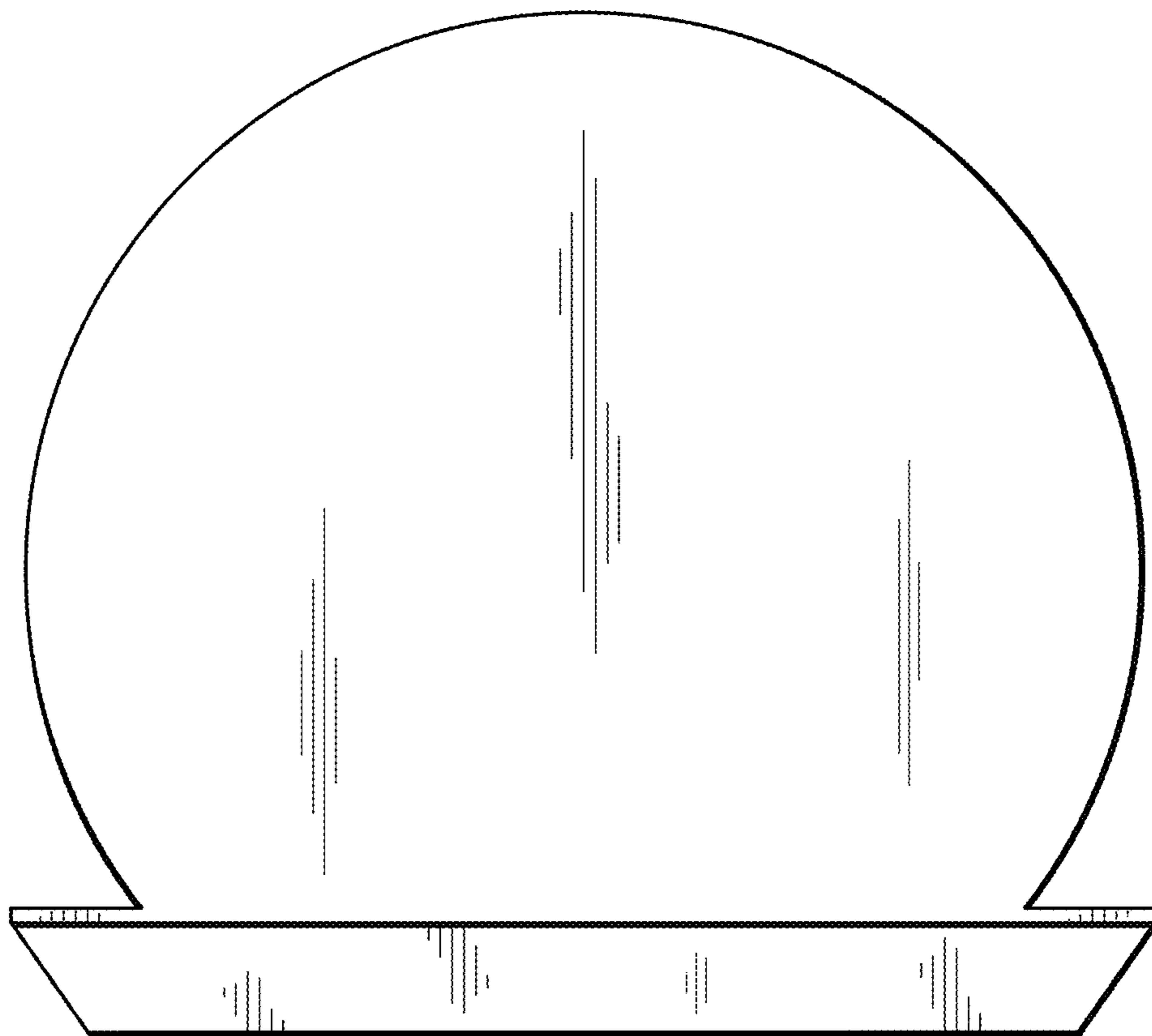


FIG. 7