



US00D951707S

(12) **United States Design Patent** (10) **Patent No.:** **US D951,707 S**
Liu (45) **Date of Patent:** **** May 17, 2022**

(54) **KNIFE HANDLE**
(71) Applicant: **Yunxing Liu**, Irvine, CA (US)
(72) Inventor: **Yunxing Liu**, Irvine, CA (US)
(**) Term: **15 Years**
(21) Appl. No.: **29/727,577**
(22) Filed: **Mar. 11, 2020**
(51) **LOC (13) Cl.** **07-03**
(52) **U.S. Cl.**
USPC **D7/401.2; D7/649**
(58) **Field of Classification Search**
USPC D7/393-395, 401.2, 642-652, 693,
D7/695-696; D8/93, 97-100, 107, 300;
D22/117-118
CPC A01B 1/20; A01B 1/22; A22C 25/006;
A47G 21/06; A47G 21/065; A61B
17/3211; A61B 17/3213; B21D 53/64;
B25G 1/102; B25G 3/36; B26B 1/00;
B26B 1/08; B26B 1/10; B26B 3/00;
B26B 3/02; B26B 3/03; B26B 3/04;
B26B 3/06; B26B 5/00; B26B 5/001;
B26B 5/007; B26B 7/00; B26B 7/005;
B26B 9/00; B26B 9/02; B26B 11/00;
B26B 11/006; B26B 17/00; B26B 17/006;
B26B 29/02
See application file for complete search history.

D730,117 S * 5/2015 Hiltenbrand D7/401.2
D773,891 S * 12/2016 Liu D7/401.2
D803,011 S * 11/2017 Liu D7/649
D831,419 S * 10/2018 Liu D7/401.2
D885,127 S * 5/2020 Lin D7/401.2
D920,056 S * 5/2021 Chen D7/649
D926,517 S * 8/2021 Liu D7/401.2
D926,518 S * 8/2021 Hossom D7/401.2
D937,048 S * 11/2021 Chen D7/649

OTHER PUBLICATIONS

KYOKU Daimyo Series—Japanese VG10 Steel Core Hammered Damascus Blade. Date First Available on Amazon.com May 13, 2018. [https://www.amazon.com/dp/B07BJZ8WSP/ref\(Year: 2018\).*](https://www.amazon.com/dp/B07BJZ8WSP/ref(Year: 2018).*)

* cited by examiner

Primary Examiner — Ricky Pham

(57) **CLAIM**

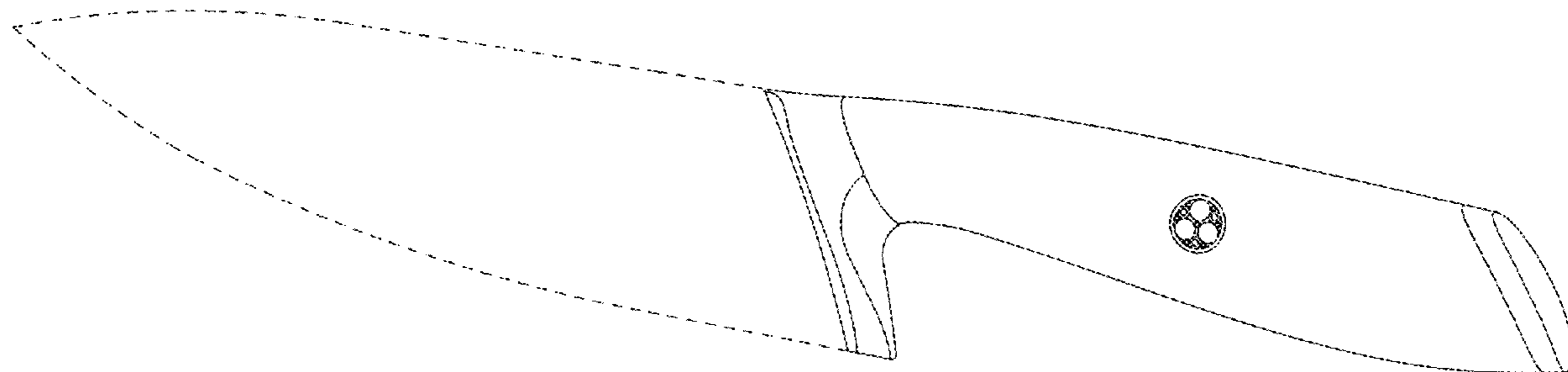
The ornamental design for a knife handle, as shown and described.

DESCRIPTION

FIG. 1 is a front, left side perspective of a knife handle, showing my new design.
FIG. 2 is a left side view thereof, the right side being a mirror image.
FIG. 3 is a top view thereof.
FIG. 4 is a bottom view thereof.
FIG. 5 is a rear view thereof; and,
FIG. 6 is a front view thereof.
The broken lines shown in the drawings are for illustrative purposes only and form no part of the claimed design.

1 Claim, 3 Drawing Sheets

(56) **References Cited**
U.S. PATENT DOCUMENTS
D595,544 S * 7/2009 Thun D7/649
D688,913 S * 9/2013 Lo D7/401.2



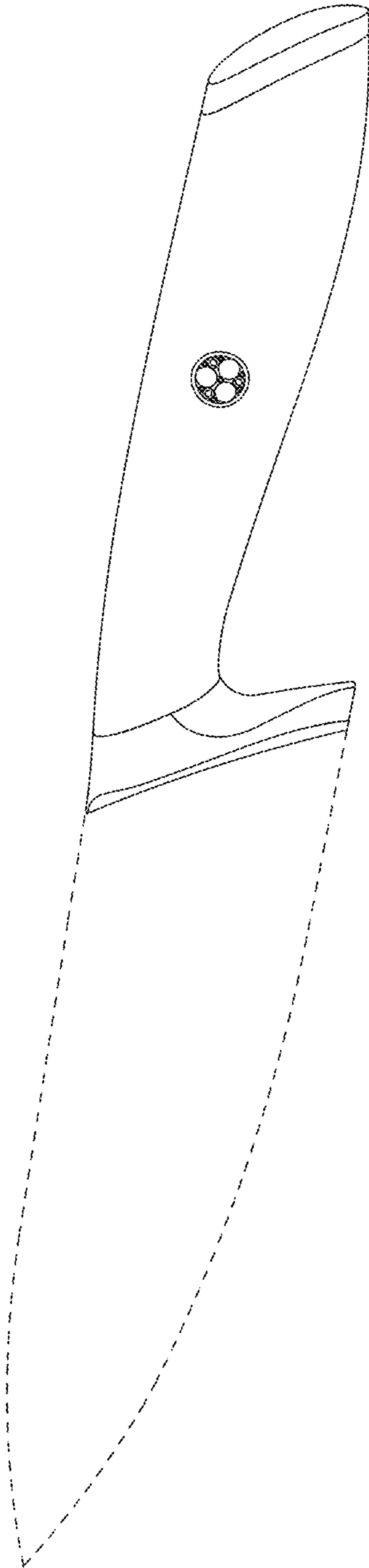


Fig. 1

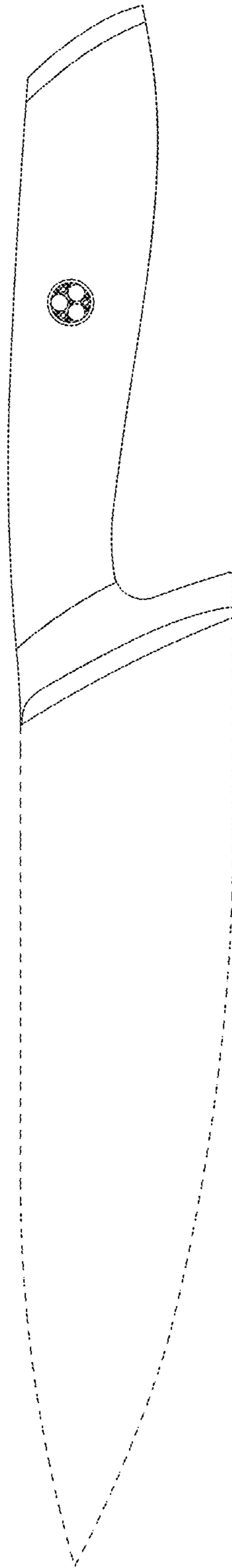


Fig. 2

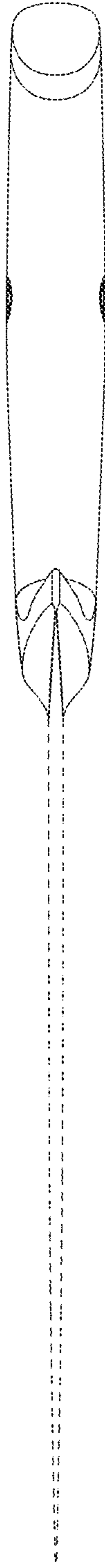


Fig. 3

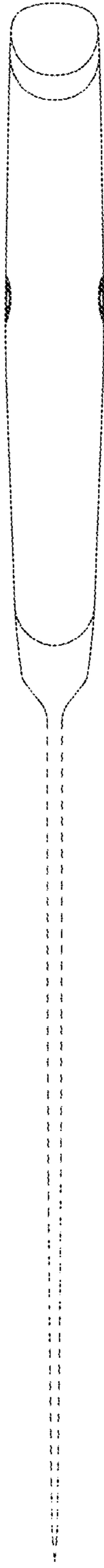


Fig. 4

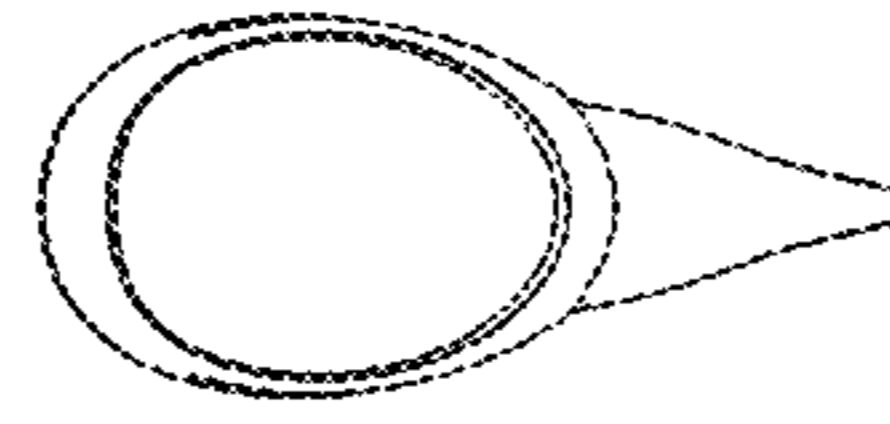


Fig. 5

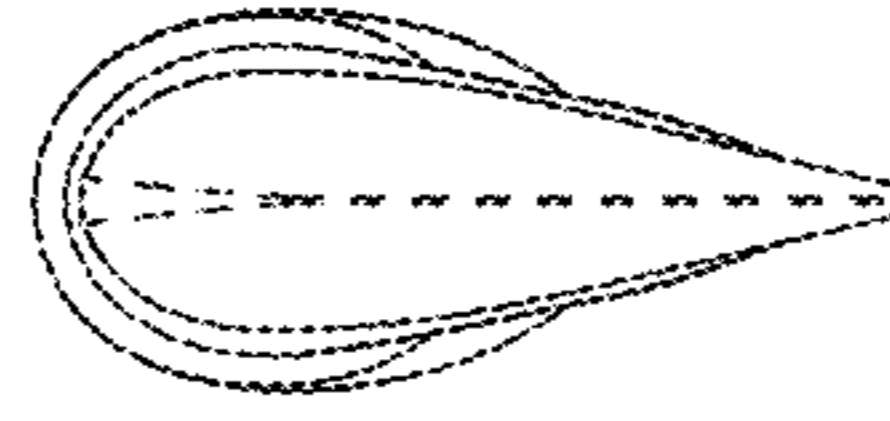


Fig. 6