



US00D951705S

(12) **United States Design Patent** (10) **Patent No.:** **US D951,705 S**  
**Danieli et al.** (45) **Date of Patent:** **\*\* May 17, 2022**

(54) **CARBONATION MECHANISM**

(56) **References Cited**

(71) Applicant: **SODASTREAM INDUSTRIES LTD.**,  
Kfar Saba (IL)

U.S. PATENT DOCUMENTS

(72) Inventors: **Guy Danieli**, Jerusalem (IL); **Amit Avigdor**, Kibutz Bahan (IL); **Doron Krom**, Zichron Yaakov (IL); **Oren Shalev**, Ashdod (IL); **Allan Ring**, Mercaz Shapira (IL); **Avi Cohen**, Jerusalem (IL); **Dvir Brand**, Hod Hasharon (IL); **Amnon Shkedi**, Karkur (IL)

4,082,123 A *	4/1978	Haythornthwaite .....	B01F 13/0033
			141/64
D610,388 S *	2/2010	Hazan .....	D7/306
D610,857 S *	3/2010	Pateman .....	D7/306
D681,385 S *	5/2013	Ring .....	D7/306
D719,404 S *	12/2014	Manly .....	D7/399
D723,858 S *	3/2015	Ye .....	D7/309
D734,635 S *	7/2015	Behar .....	D7/306
D799,879 S *	10/2017	Shmueli .....	D7/306
D877,563 S *	3/2020	Cauwood .....	D7/397
D882,336 S *	4/2020	Cauwood .....	D7/397

(Continued)

(73) Assignee: **SODASTREAM INDUSTRIES LTD.**,  
Kfar Saba (IL)

FOREIGN PATENT DOCUMENTS

(\*\*) Term: **15 Years**

GB	8207163000-1000	*	4/2020
WO	D207163-001	*	10/2020

(21) Appl. No.: **35/510,484**

*Primary Examiner* — S. Bryan Reinholdt, Jr.  
(74) *Attorney, Agent, or Firm* — Pearl Cohen Zedek Latzer Baratz LLP

(22) Filed: **Apr. 2, 2020**

(80) **Hague Agreement Data**

(57) **CLAIM**

Int. Filing Date: **Apr. 2, 2020**  
Int. Reg. No.: **DM/207163**  
Int. Reg. Date: **Apr. 2, 2020**  
Int. Reg. Pub. Date: **Oct. 2, 2020**

The ornamental design for a carbonation mechanism, as shown and described.

(30) **Foreign Application Priority Data**

**DESCRIPTION**

Oct. 10, 2019 (IL) ..... 64251

(51) **LOC (13) Cl.** ..... **07-99**

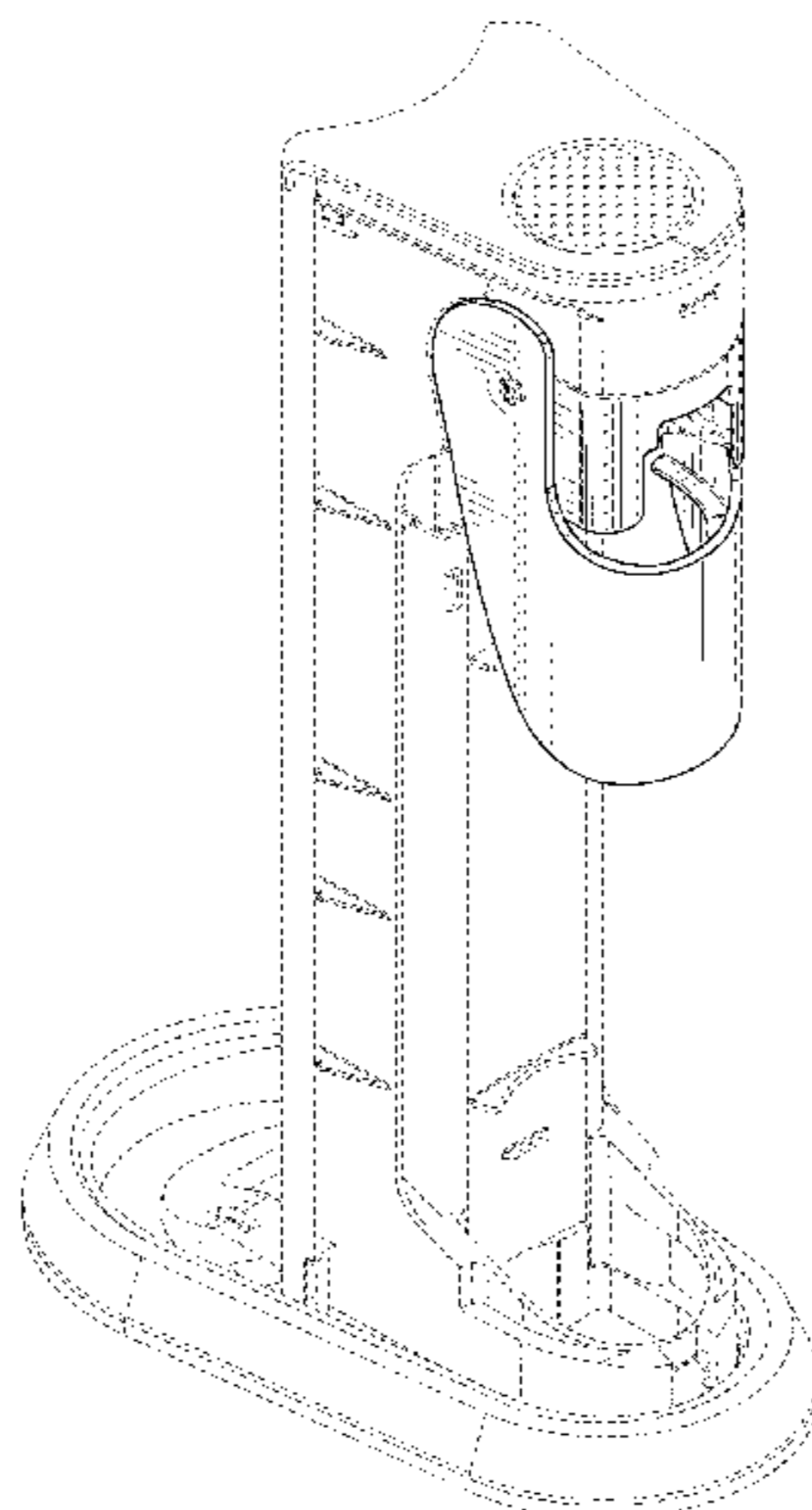
(52) **U.S. Cl.**  
USPC ..... **D7/397**

(58) **Field of Classification Search**  
USPC ..... D7/373, 387, 397; D9/686  
CPC ..... B01F 3/04829; B01F 3/04794  
See application file for complete search history.

1. Carbonation mechanism  
**1.1** : Perspective (front, top, left)  
**1.2** : Front  
**1.3** : Back  
**1.4** : Right  
**1.5** : Left  
**1.6** : Top  
**1.7** : Bottom

The parts shown by means of broken lines in the reproductions are not part of the claimed design; the shadings in the

(Continued)



reproductions represent contours only and do not illustrate an ornamentation or decoration on the surface of the product.

The broken lines in the drawings depict portions of the carbonation mechanism that form no part of the claimed design.

**1 Claim, 7 Drawing Sheets**

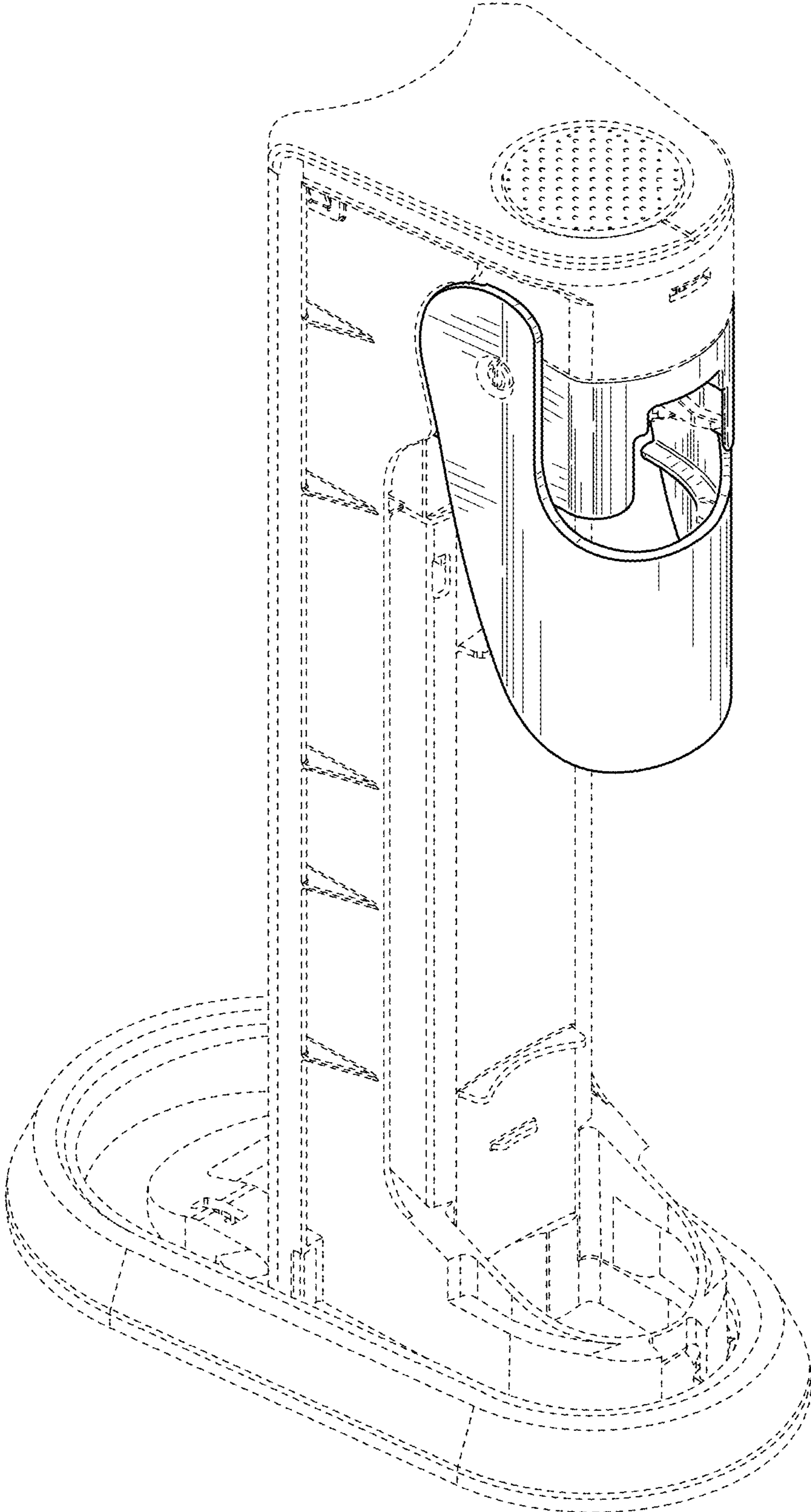
(56)

**References Cited**

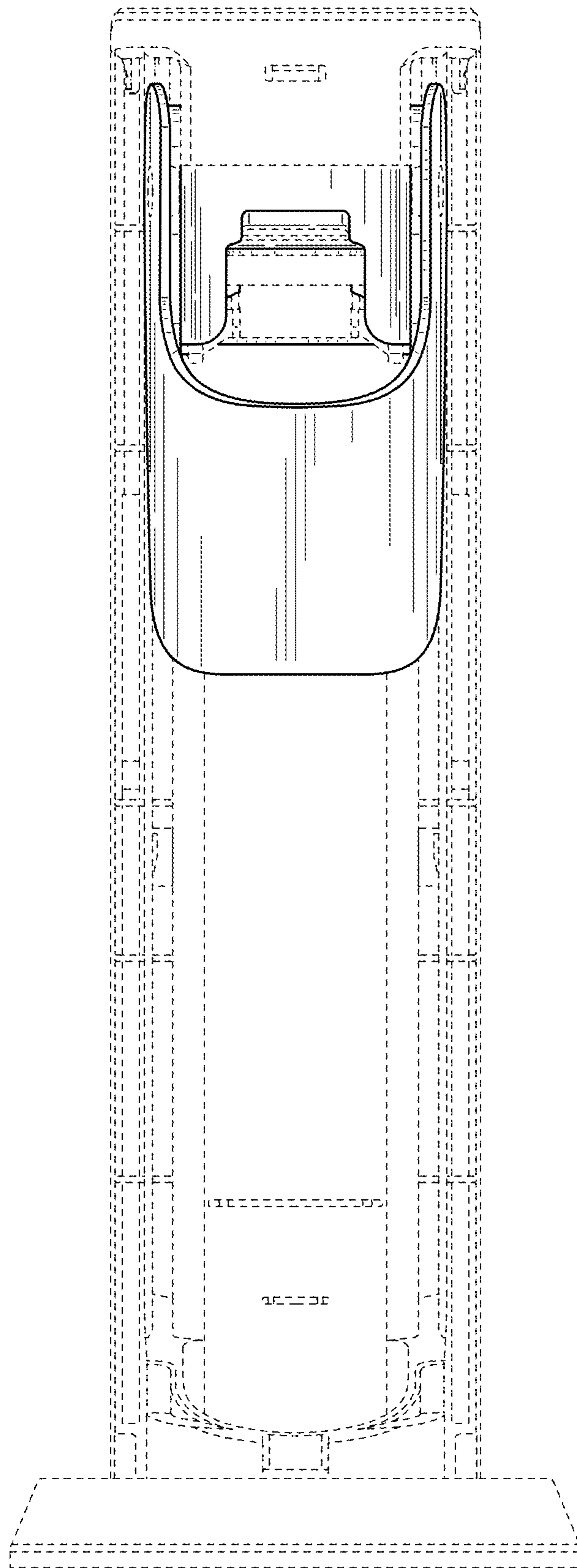
U.S. PATENT DOCUMENTS

D893,234	S	*	8/2020	Broen	.....	D7/306
D893,945	S	*	8/2020	Cauwood	.....	D7/397
10,906,013	B2	*	2/2021	Cohen	.....	B01F 3/04801
2020/0338507	A1	*	10/2020	Cohen	.....	B01F 3/04801

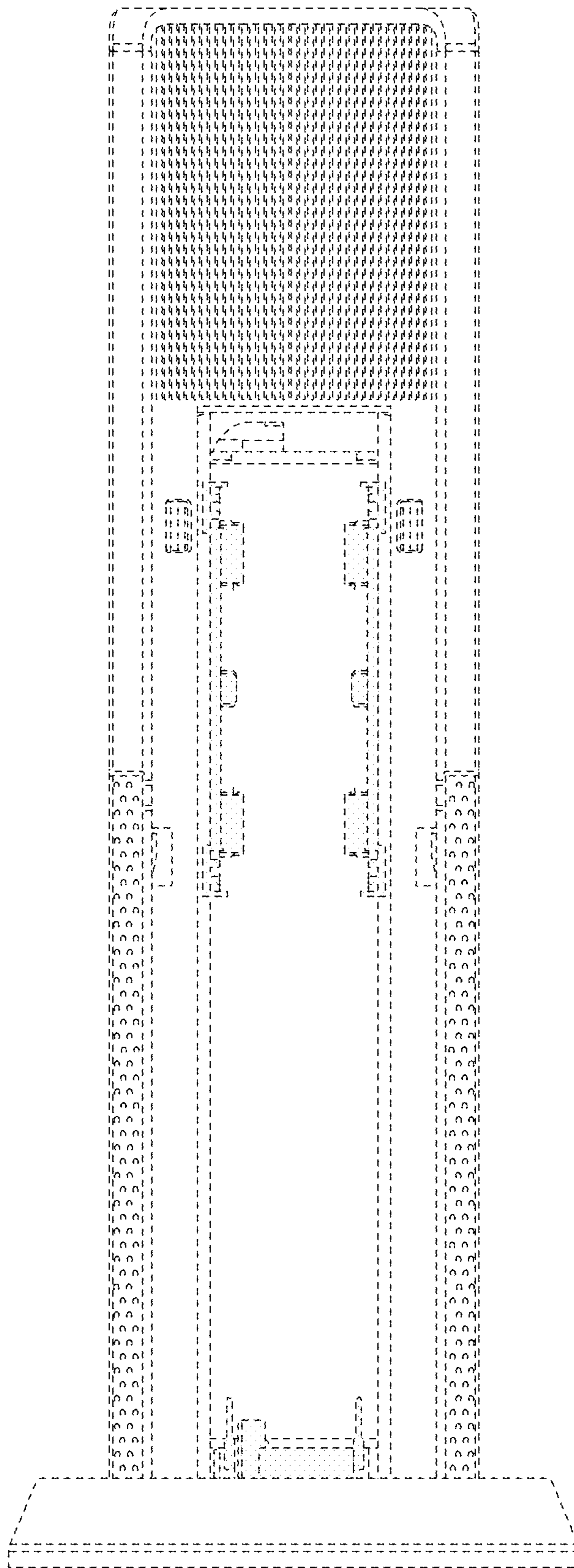
\* cited by examiner

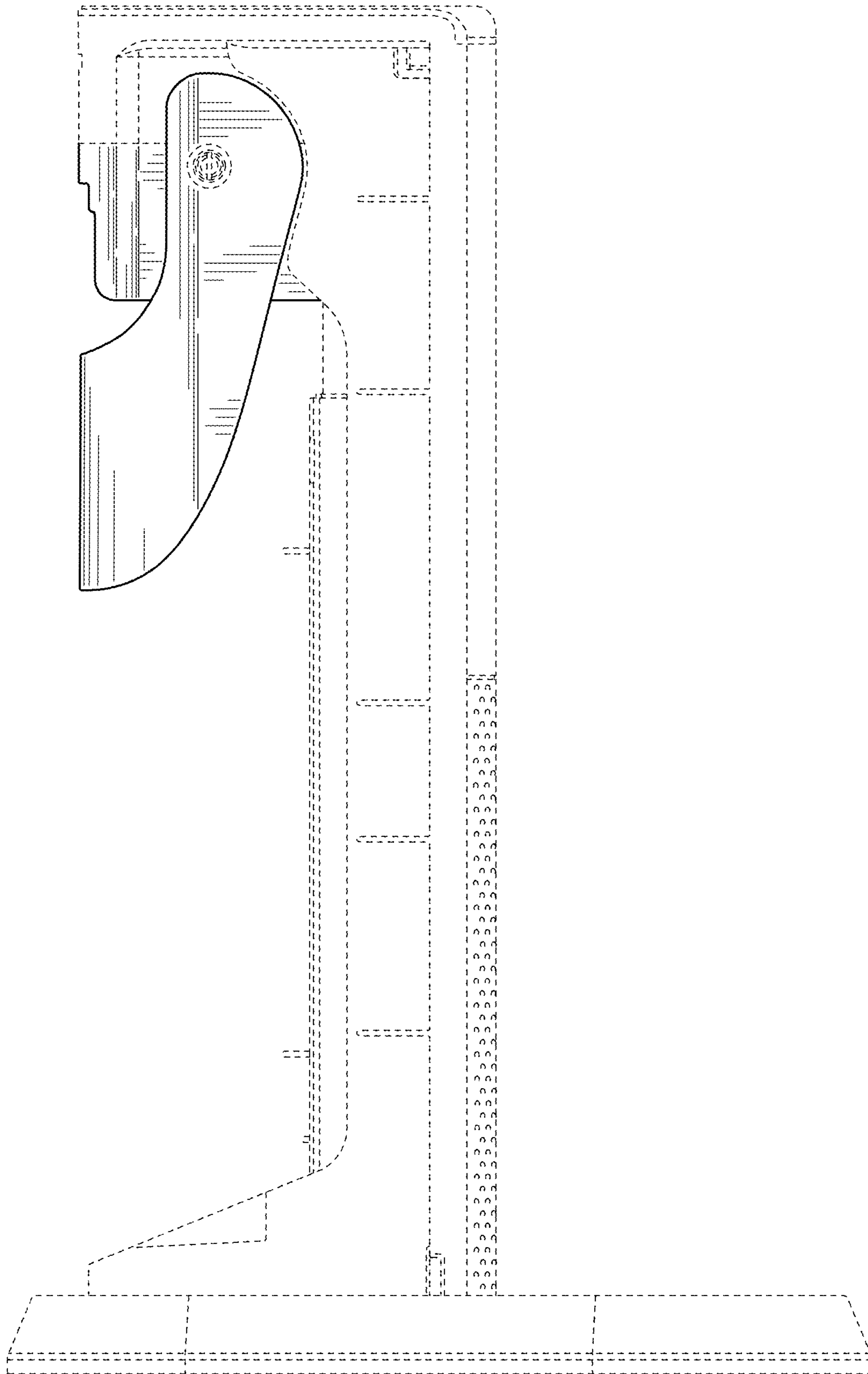


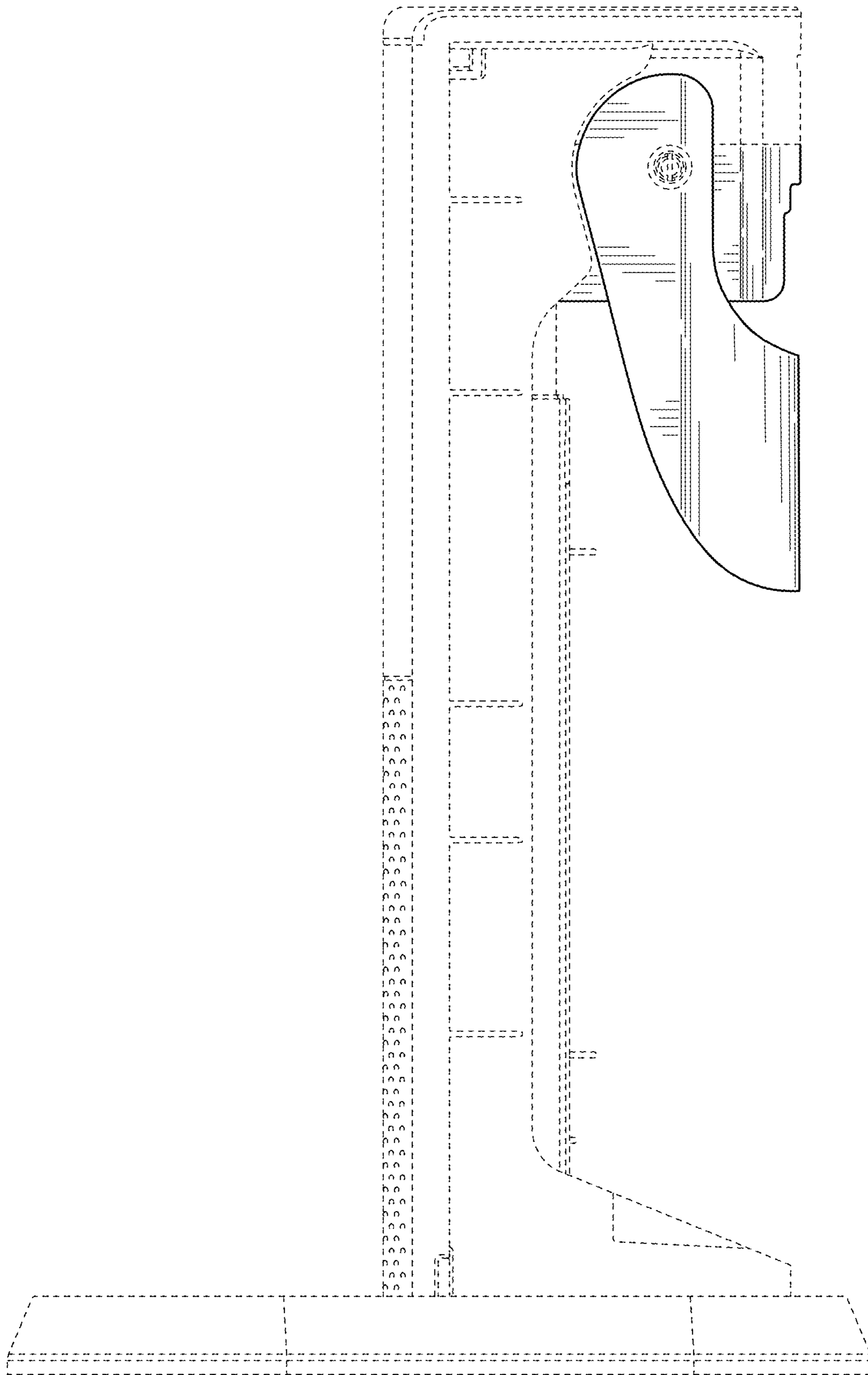
1.1



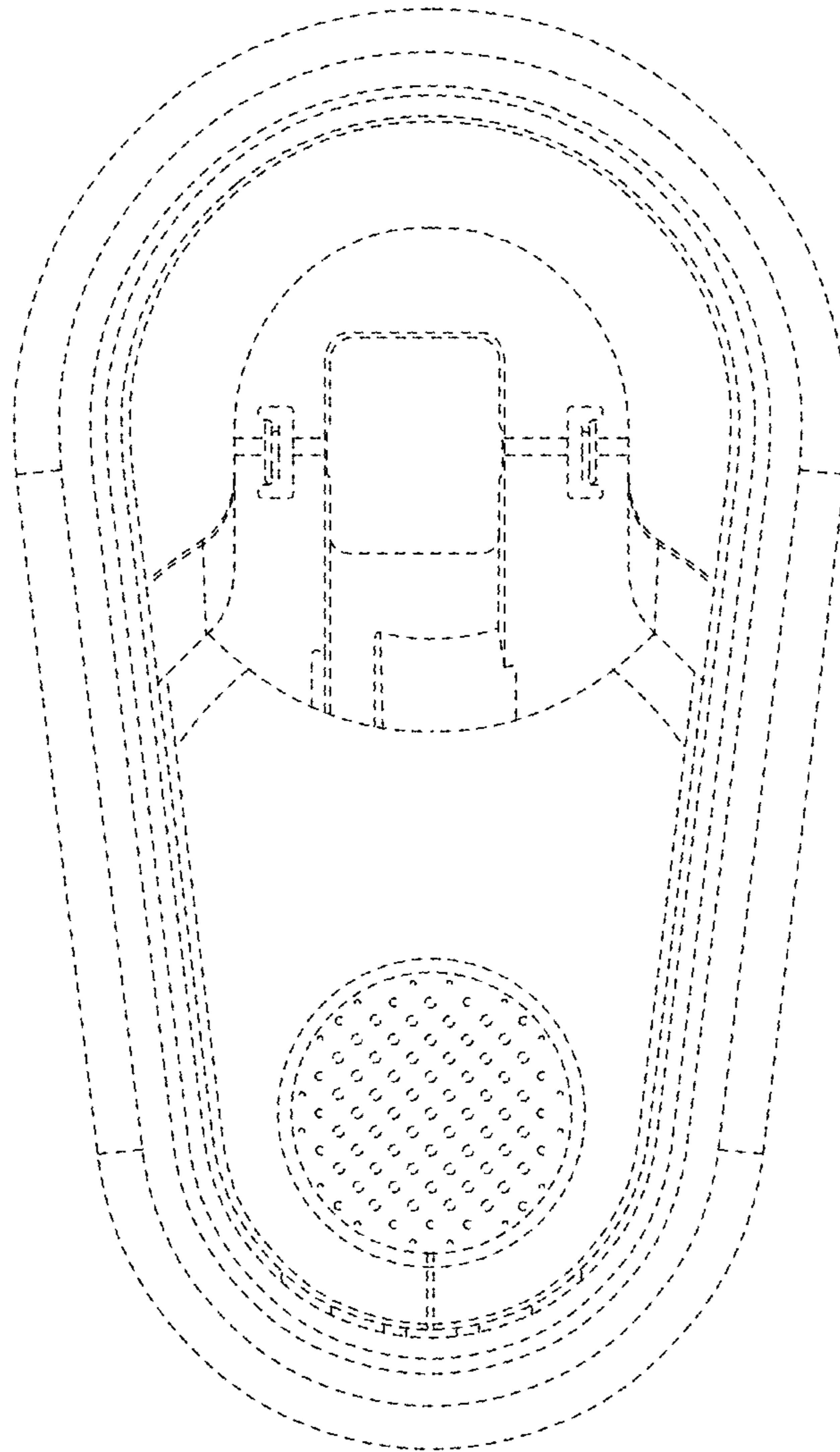
1.2





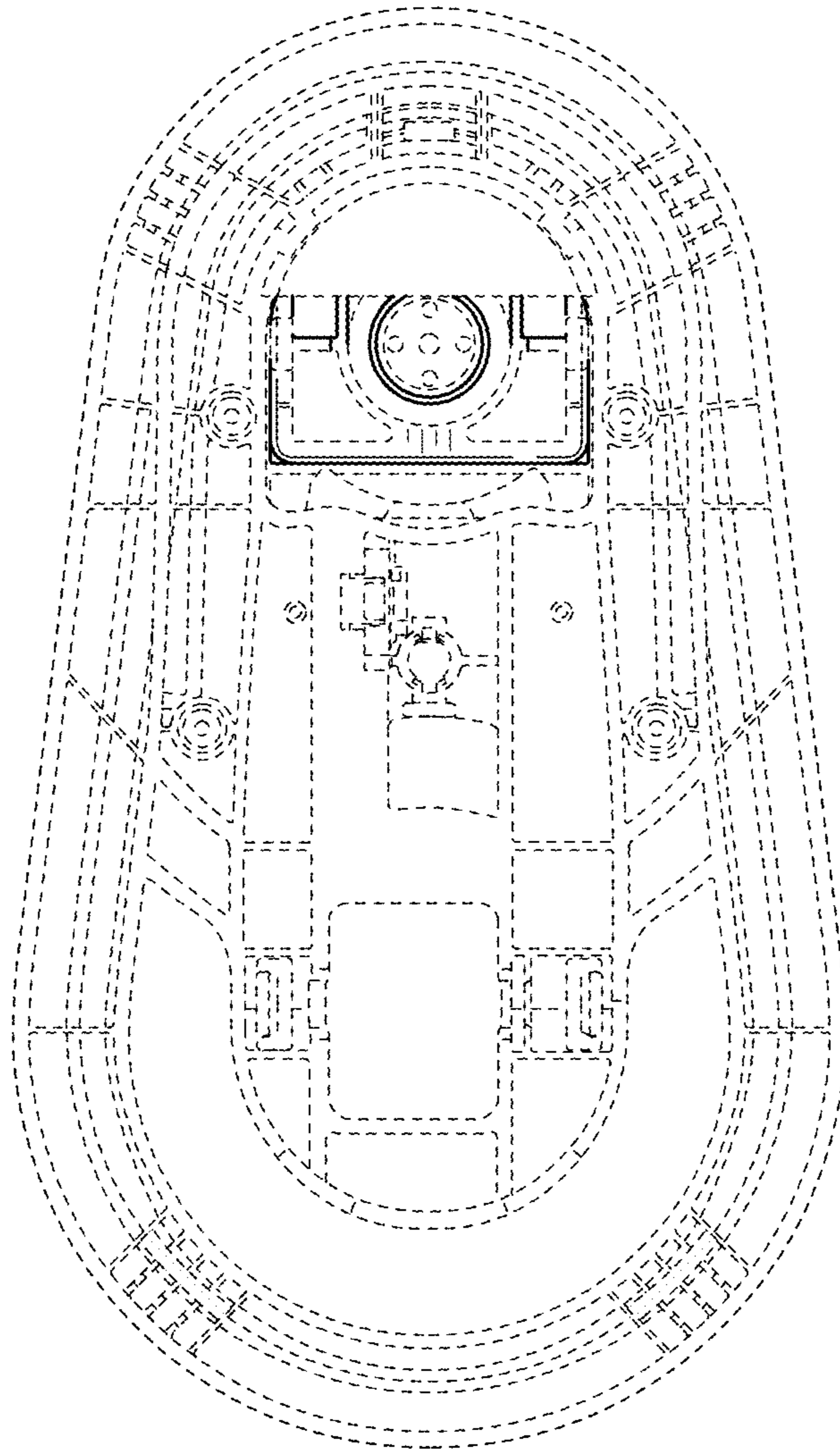


1.5



1.6





1.7