



US00D951704S

(12) **United States Design Patent** (10) **Patent No.:** **US D951,704 S**
Brand et al. (45) **Date of Patent:** **** May 17, 2022**

(54) **CARBONATION MECHANISM**

(56) **References Cited**

(71) Applicant: **SODASTREAM INDUSTRIES LTD.**,
Kfar Saba (IL)

U.S. PATENT DOCUMENTS

(72) Inventors: **Dvir Brand**, Hod Hasharon (IL);
Amnon Shkedi, Karkur (IL); **Guy Danieli**, Jerusalem (IL); **Amit Avigdor**,
Kibutz Bahan (IL); **Doron Krom**,
Zichron Yaakov (IL); **Oren Shalev**,
Ashdod (IL); **Allan Ring**, Mercaz
Shapira (IL); **Avi Cohen**, Jerusalem (IL)

4,082,123 A * 4/1978 Haythornthwaite
B01F 13/0033
141/64
D610,388 S * 2/2010 Hazan D7/306
D610,857 S * 3/2010 Pateman D7/306
D681,385 S * 5/2013 Ring D7/306
D719,404 S * 12/2014 Manly D7/399
D723,858 S * 3/2015 Ye D7/309
D734,635 S * 7/2015 Behar D7/306
D799,879 S * 10/2017 Shmueli D7/306
D877,563 S * 3/2020 Cauwood D7/397
D882,336 S * 4/2020 Cauwood D7/397
D893,234 S * 8/2020 Broen D7/306
D893,945 S * 8/2020 Cauwood D7/397
10,906,013 B2 * 2/2021 Cohen B01F 3/04801
2020/0338507 A1 * 10/2020 Cohen B01F 3/04801

(73) Assignee: **SODASTREAM INDUSTRIES LTD.**,
Kfar Saba (IL)

(**) Term: **15 Years**

FOREIGN PATENT DOCUMENTS

(21) Appl. No.: **35/510,443**

GB 8207165000-1000 * 4/2020
WO D207165-001 * 4/2020

(22) Filed: **Apr. 2, 2020**

* cited by examiner

(80) **Hague Agreement Data**

Int. Filing Date: **Apr. 2, 2020**
Int. Reg. No.: **DM/207165**
Int. Reg. Date: **Apr. 2, 2020**
Int. Reg. Pub. Date: **Oct. 2, 2020**

Primary Examiner — S. Bryan Reinholdt, Jr.
(74) *Attorney, Agent, or Firm* — Pearl Cohen Zedek
Latzter Baratz LLP

(57) **CLAIM**

The ornamental design for a carbonation mechanism, as shown and described.

(30) **Foreign Application Priority Data**

Oct. 10, 2019 (IL) 64250
(51) **LOC (13) Cl.** **07-99**
(52) **U.S. Cl.**
USPC **D7/397**

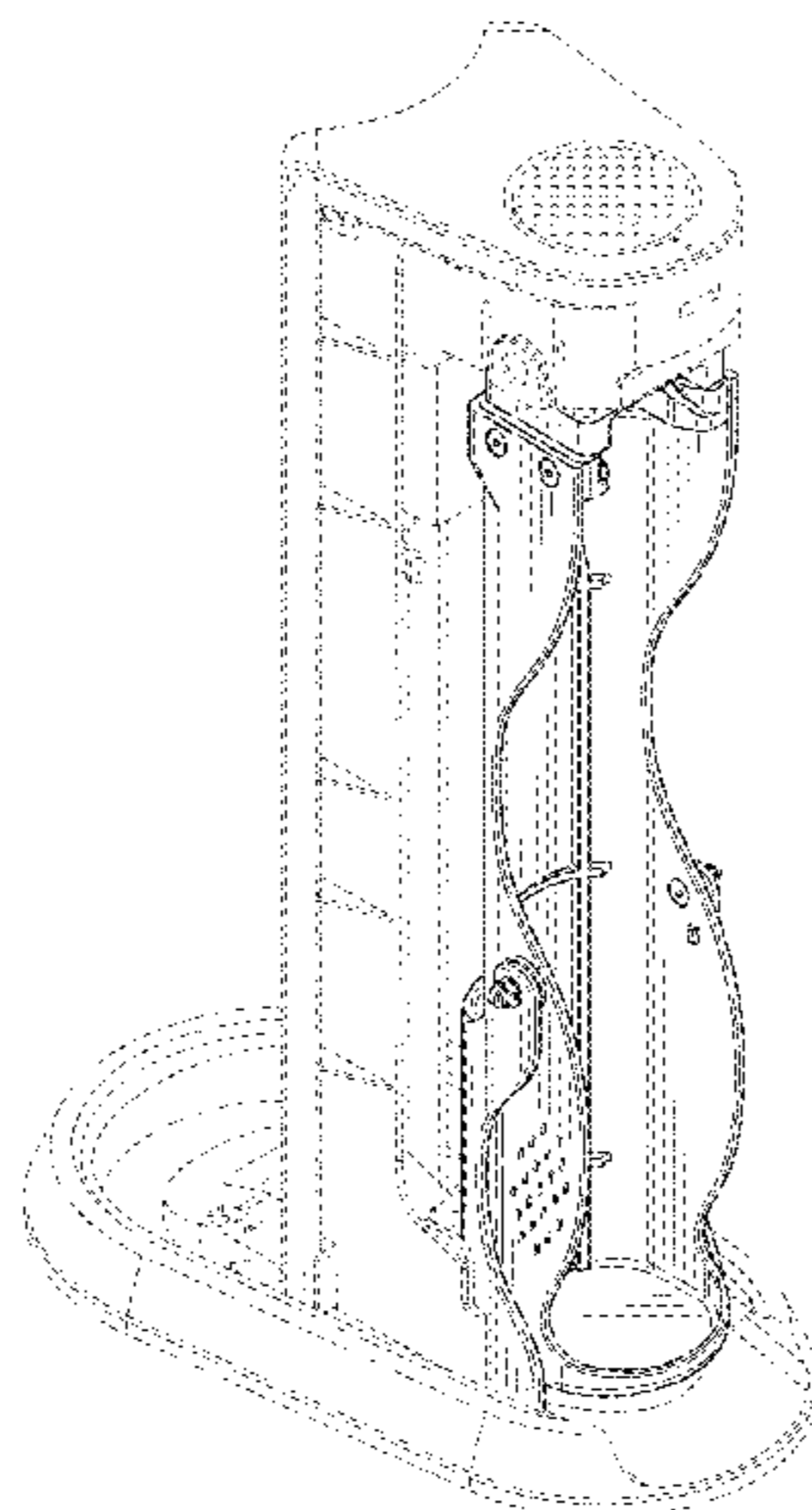
DESCRIPTION

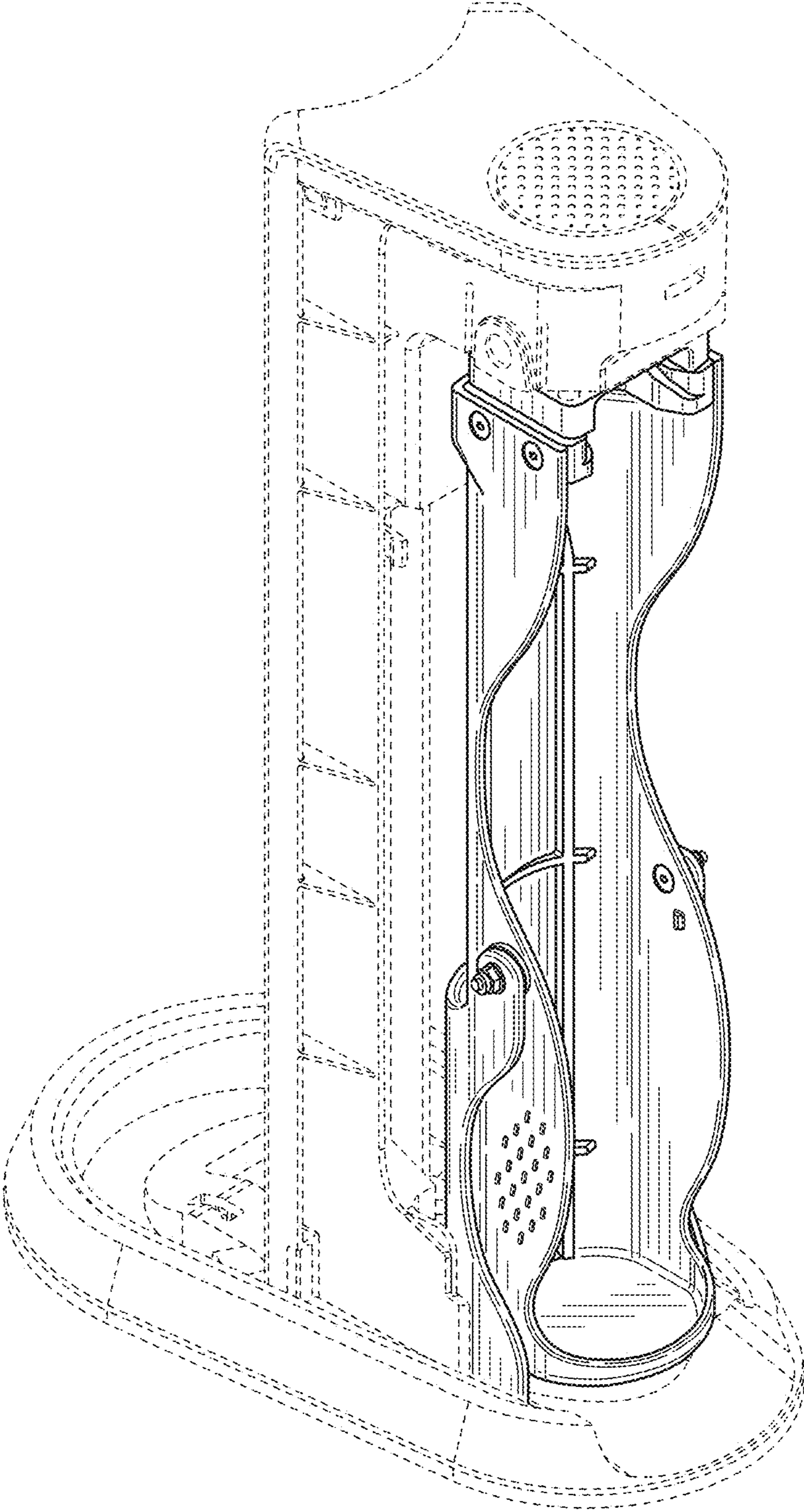
1. Carbonation mechanism
1.1 : Perspective (front, top, left)
1.2 : Front
1.3 : Back
1.4 : Right
1.5 : Left
1.6 : Top
1.7 : Bottom

(58) **Field of Classification Search**
USPC D7/373, 387, 397; D9/686
CPC B01F 3/04829; B01F 3/04794
See application file for complete search history.

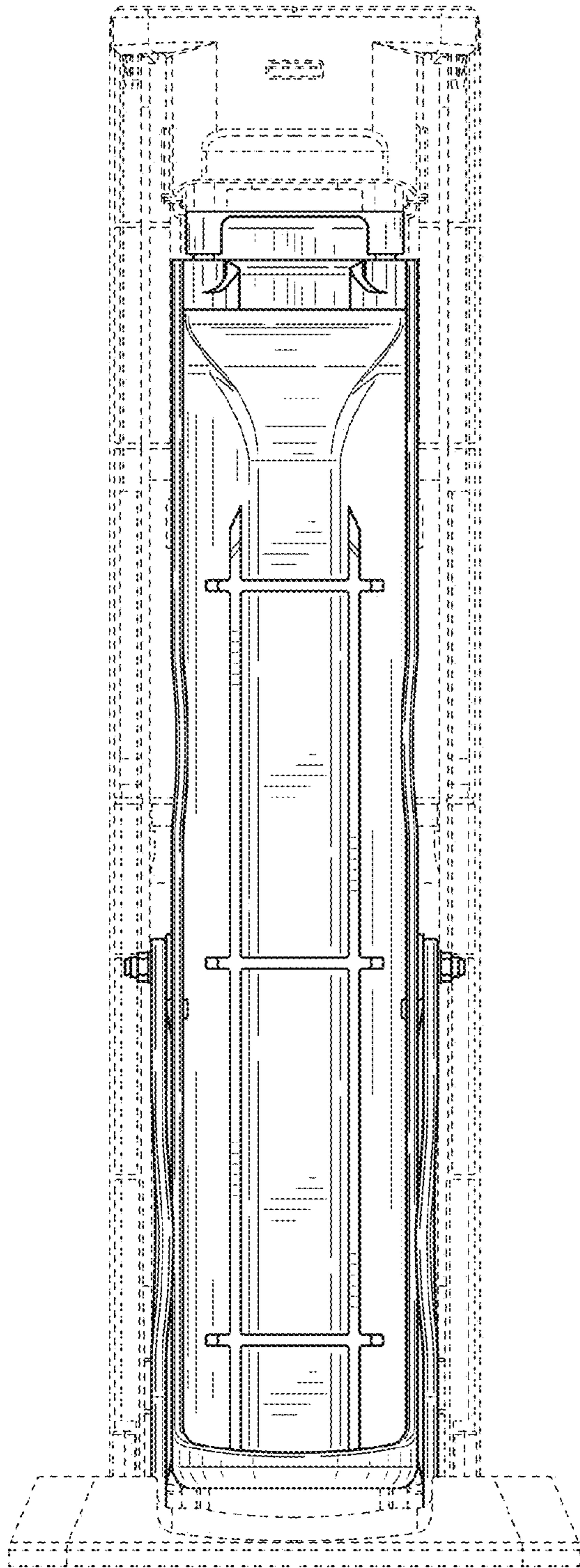
The broken lines in the drawings depict portions of the carbonation mechanism that form no part of the claimed design.

1 Claim, 5 Drawing Sheets

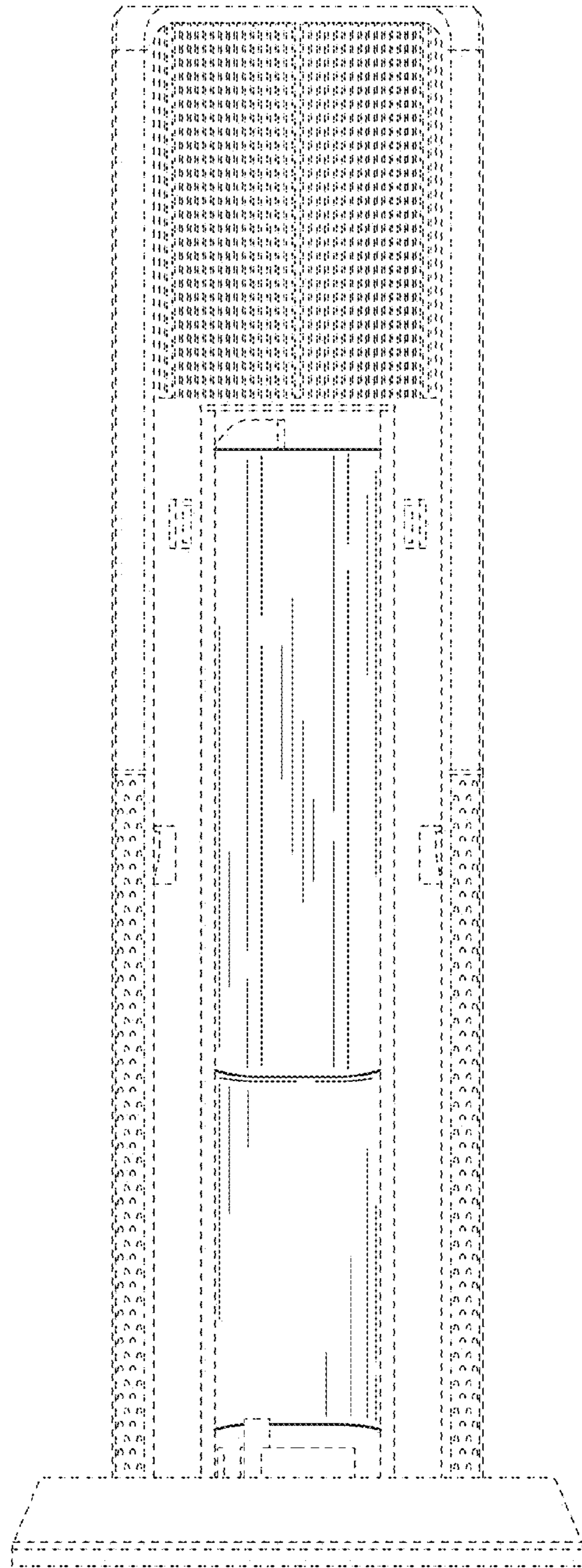




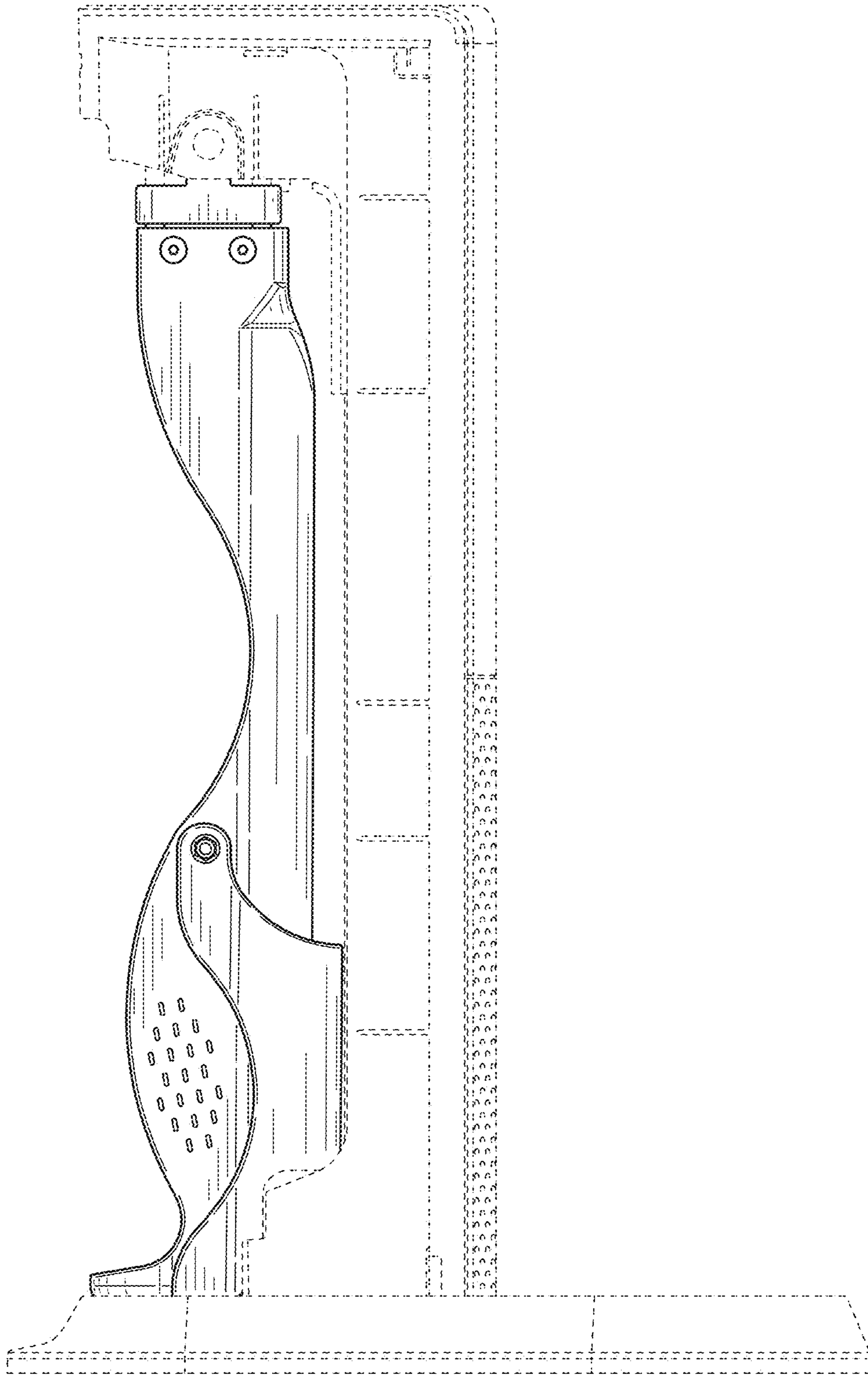
1.1

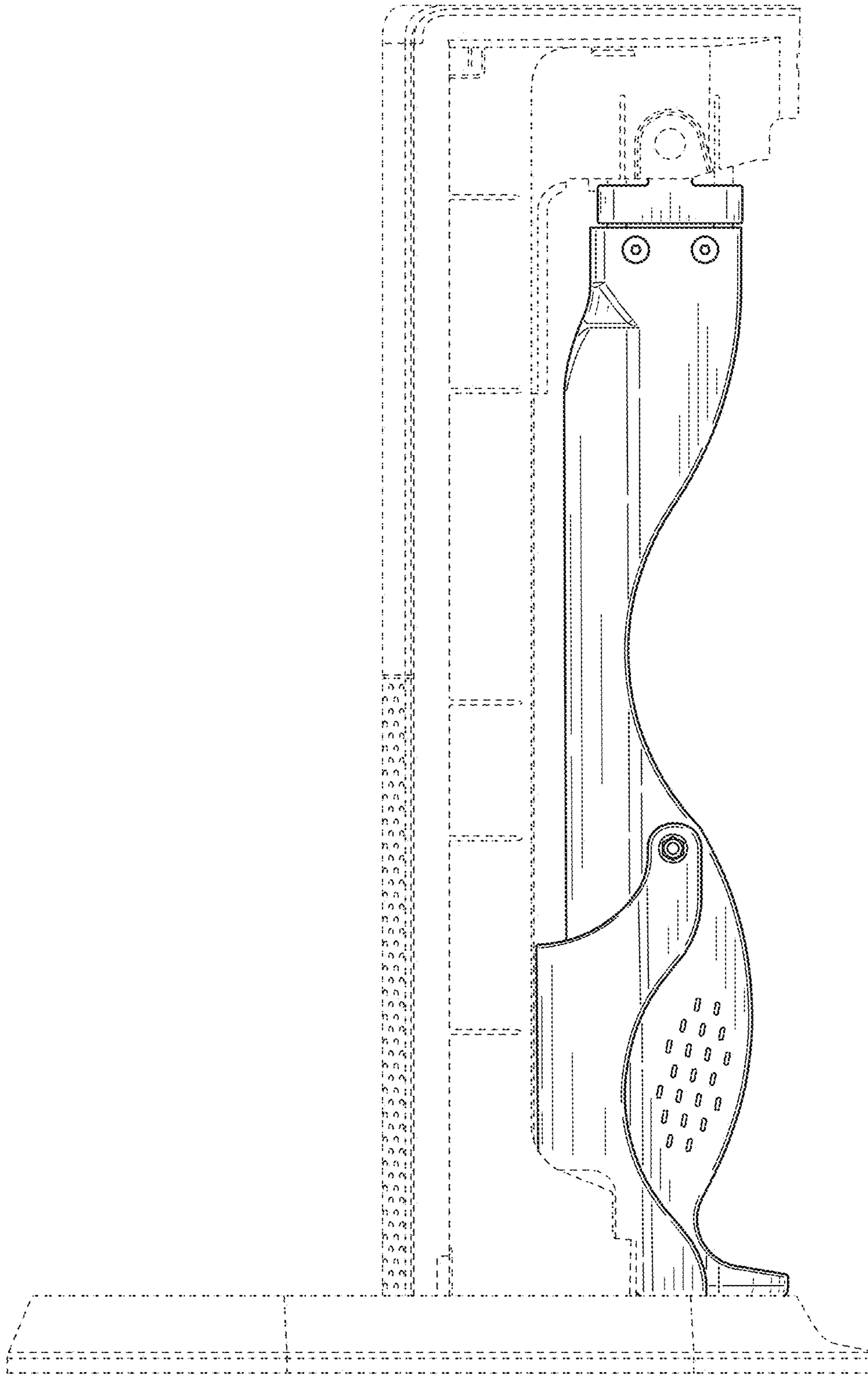


1.2

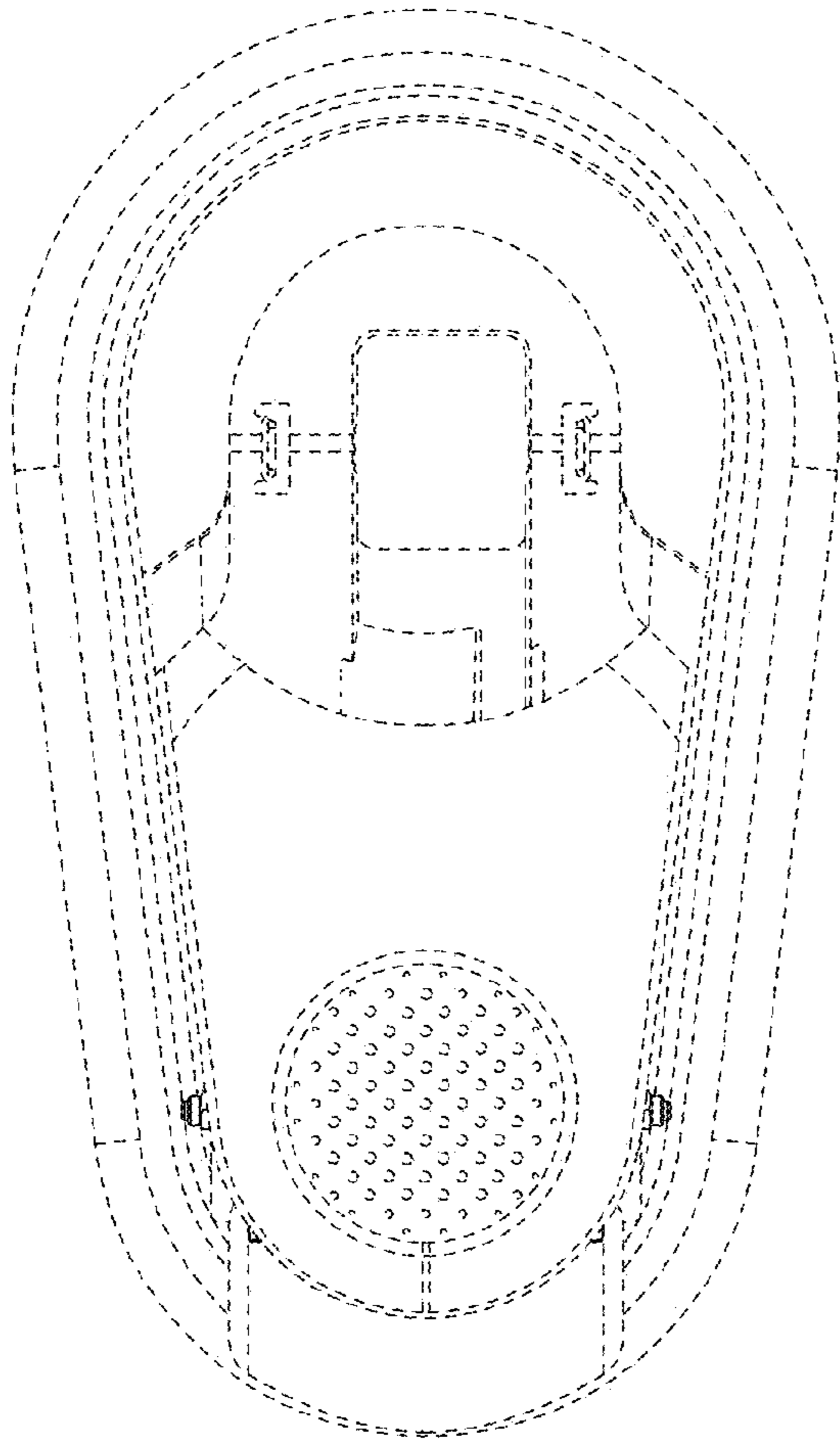


1.3

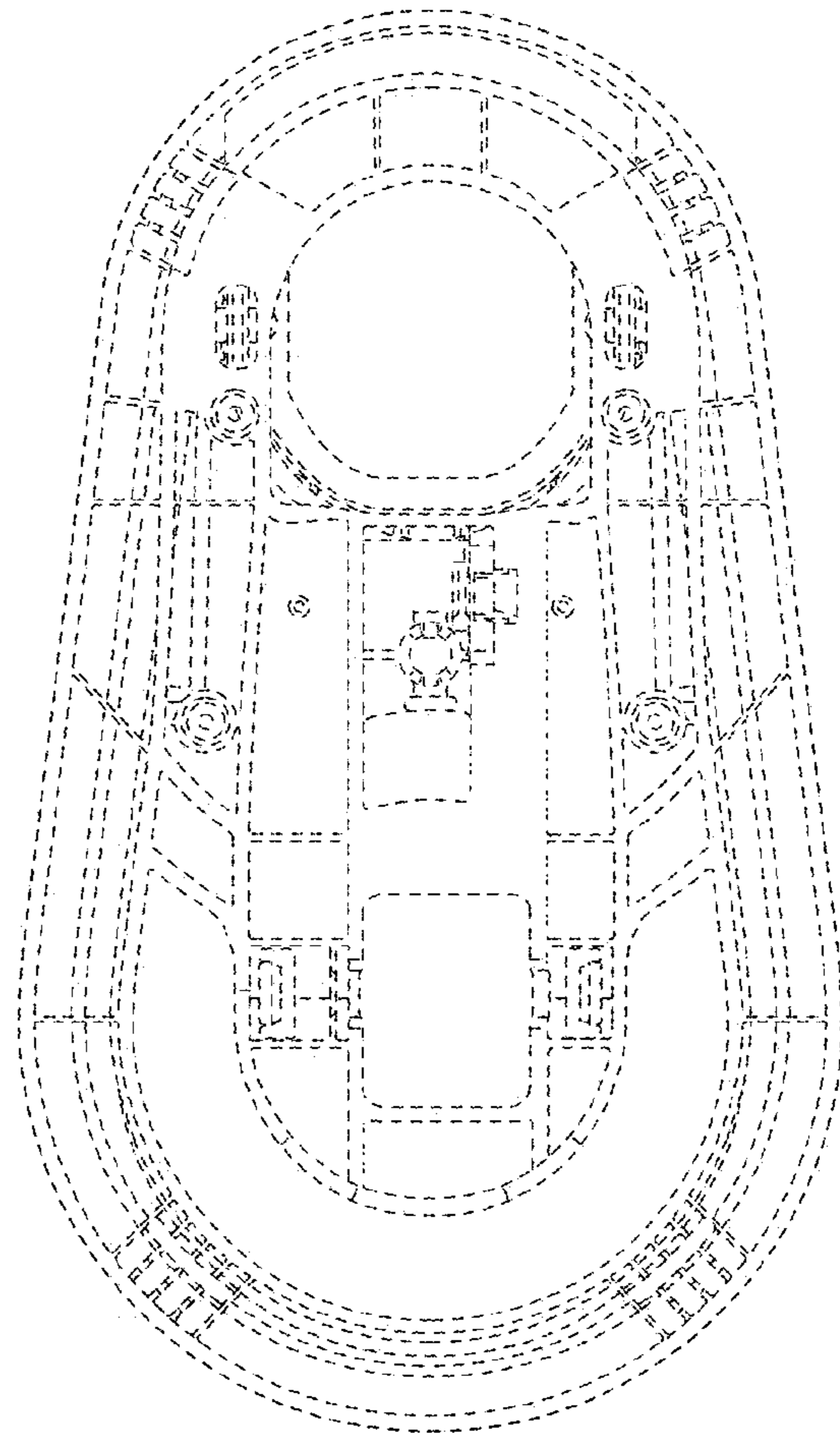




1.5



1.6



1.7