



US00D951702S

(12) **United States Design Patent**
Chen et al.

(10) **Patent No.:** **US D951,702 S**
(45) **Date of Patent:** **** May 17, 2022**

(54) **BOTTLE LID**

(71) Applicants: **FUJIAN SPD E-COMMERCE CO., LTD.**, Xiamen (CN); **Yuejin Pan**, Taizhou (CN)

(72) Inventors: **Honghui Chen**, Xiamen (CN); **Yuejin Pan**, Taizhou (CN)

(73) Assignees: **FUJIAN SPD E-COMMERCE CO., LTD.**, Xiamen (CN); **Yuejin Pan**, Taizhou (CN)

D538,110 S *	3/2007	Kitamura	D7/608
D608,640 S *	1/2010	Carreno	D9/449
D686,871 S *	7/2013	Lane	D7/392.1
D758,790 S *	6/2016	Boroski	D7/392.1
D770,222 S *	11/2016	Boroski	D7/392.1
D780,517 S *	3/2017	Boroski	D7/529
D780,578 S *	3/2017	Lane	D7/396.2
D794,453 S *	8/2017	Boroski	D7/392.1
D804,904 S *	12/2017	Noveletsky	D7/510
D811,879 S	3/2018	Way		
D818,767 S *	5/2018	Nezu	D7/392.1
D820,635 S *	6/2018	Hammer	D7/392.1

(Continued)

(**) Term: **15 Years**

(21) Appl. No.: **29/785,748**

(22) Filed: **May 27, 2021**

(51) **LOC (13) Cl.** **07-99**

(52) **U.S. Cl.**
USPC **D7/392.1; D9/449**

(58) **Field of Classification Search**
USPC D9/434, 435, 436, 438-441, 443-454, D9/499, 503-505, 516, 682, 685, 686; D7/387, 391, 392, 392.1, 393, 394, 396.1, D7/396.2, 506, 507, 510, 511, 533, 534, D7/900; D3/202, 203.2, 294, 318; D28/91, 91.1
CPC .. A61J 1/00; A61J 1/1412; B65D 1/00; B65D 1/02; B65D 1/10; B65D 1/46; B65D 5/46; B65D 41/00; B65D 41/38; B65D 41/56; B65D 41/62; B65D 47/00; B65D 47/06; B65D 47/08; B65D 2251/00; B65D 2543/00046; B65D 2543/00092; B65D 2543/00296

See application file for complete search history.

(56) **References Cited**

U.S. PATENT DOCUMENTS

D528,862 S *	9/2006	Li	D7/510
D533,061 S *	12/2006	Li	D9/449

FOREIGN PATENT DOCUMENTS

CN 306069584 * 9/2020

Primary Examiner — Wendy L Arminio

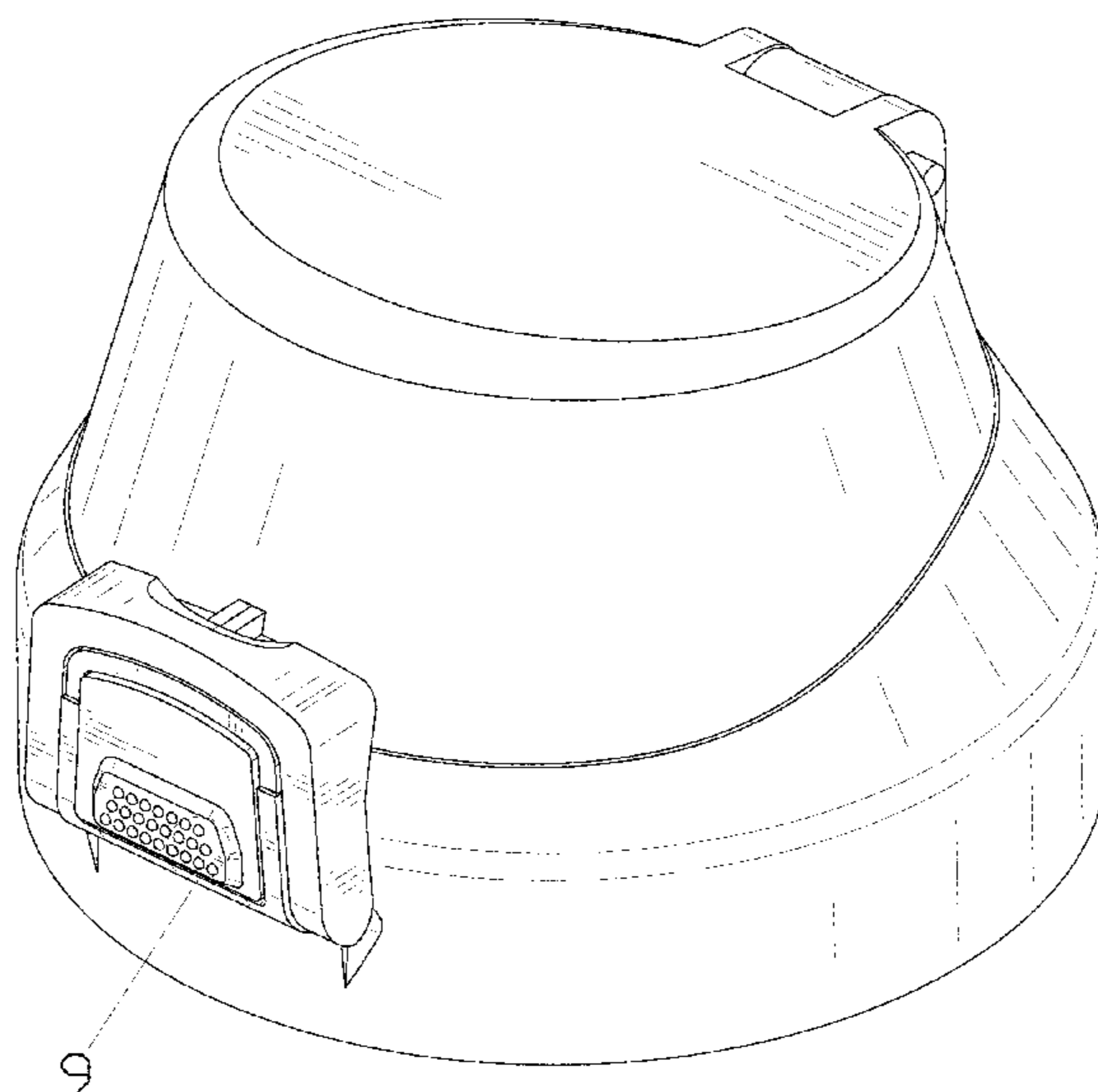
(57) **CLAIM**

The ornamental design for a bottle lid, as shown and described.

DESCRIPTION

FIG. 1 is a perspective view of a bottle lid showing my new design;
FIG. 2 is another perspective view thereof;
FIG. 3 is a front elevational view thereof;
FIG. 4 is a rear elevational view thereof;
FIG. 5 is a left side elevational view thereof;
FIG. 6 is a right side elevational view thereof;
FIG. 7 is a top plan view thereof;
FIG. 8 is a bottom plan view thereof; and,
FIG. 9 is an enlarged detail view of area 9 shown in FIG. 1.
The dash-dash broken lines in the drawings depict portions of the bottle lid that form no part of the claimed design. The dash-dot-dash broken line circumscribing the area of the detail in FIG. 1 and surrounding FIG. 9 denotes the boundary of the enlarged detail and forms no part of the claimed design.

1 Claim, 9 Drawing Sheets



(56)

References Cited

U.S. PATENT DOCUMENTS

D839,044 S *	1/2019	Potter	D7/392
D848,787 S *	5/2019	Tatsukawa	D7/392.1
D853,784 S *	7/2019	Wu	D7/392.1
D867,814 S *	11/2019	Bodum	D7/392.1
D869,230 S *	12/2019	Hao	D7/392.1
D890,564 S *	7/2020	Hao	D9/449
D902,648 S *	11/2020	Wang	D7/392.1
D908,487 S	1/2021	Xia et al.	
D923,397 S *	6/2021	Lin	D7/396.2
D939,271 S *	12/2021	Chen	D7/392.1
D941,629 S *	1/2022	Zhou	D7/392.1

* cited by examiner

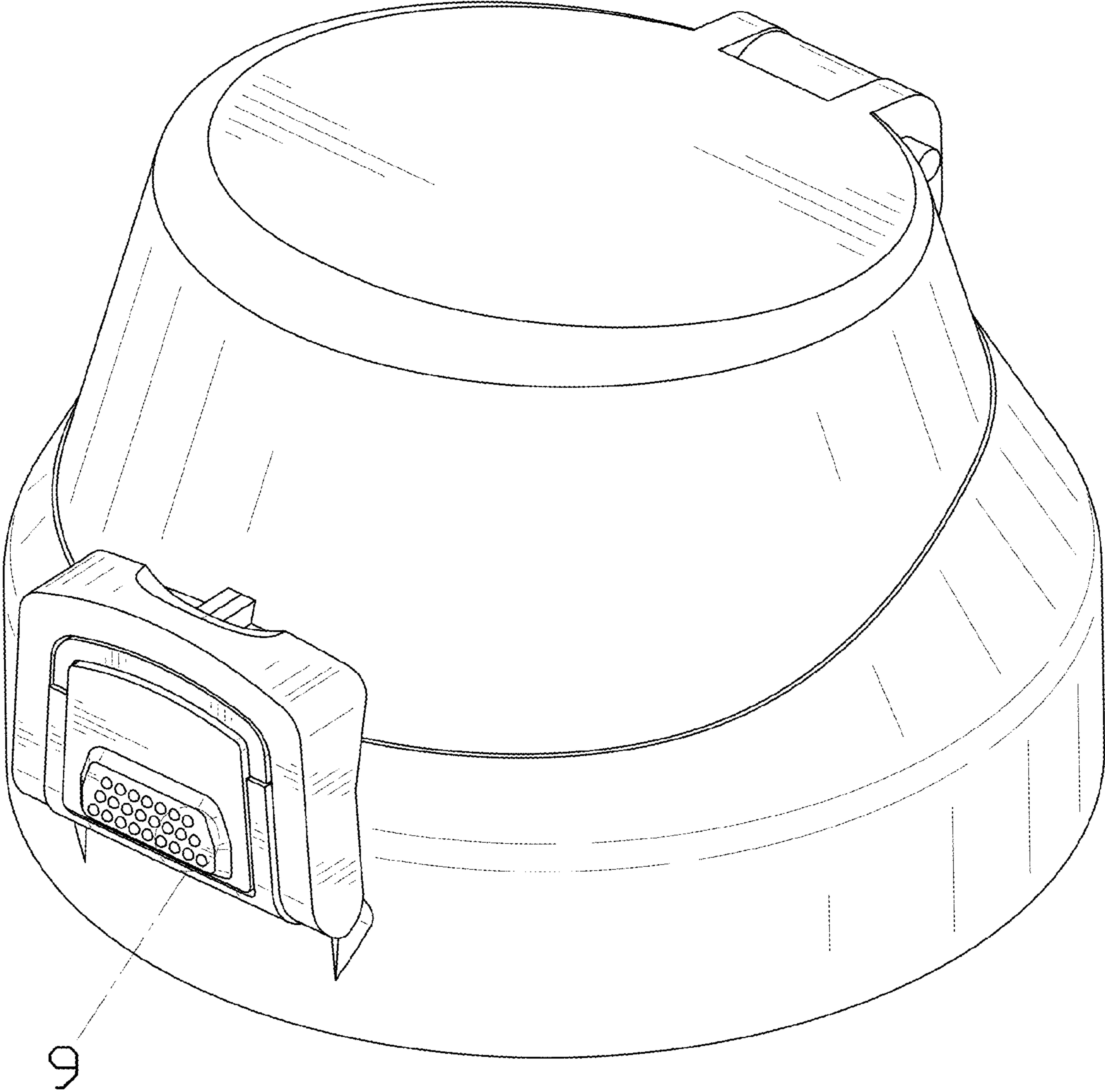


FIG. 1

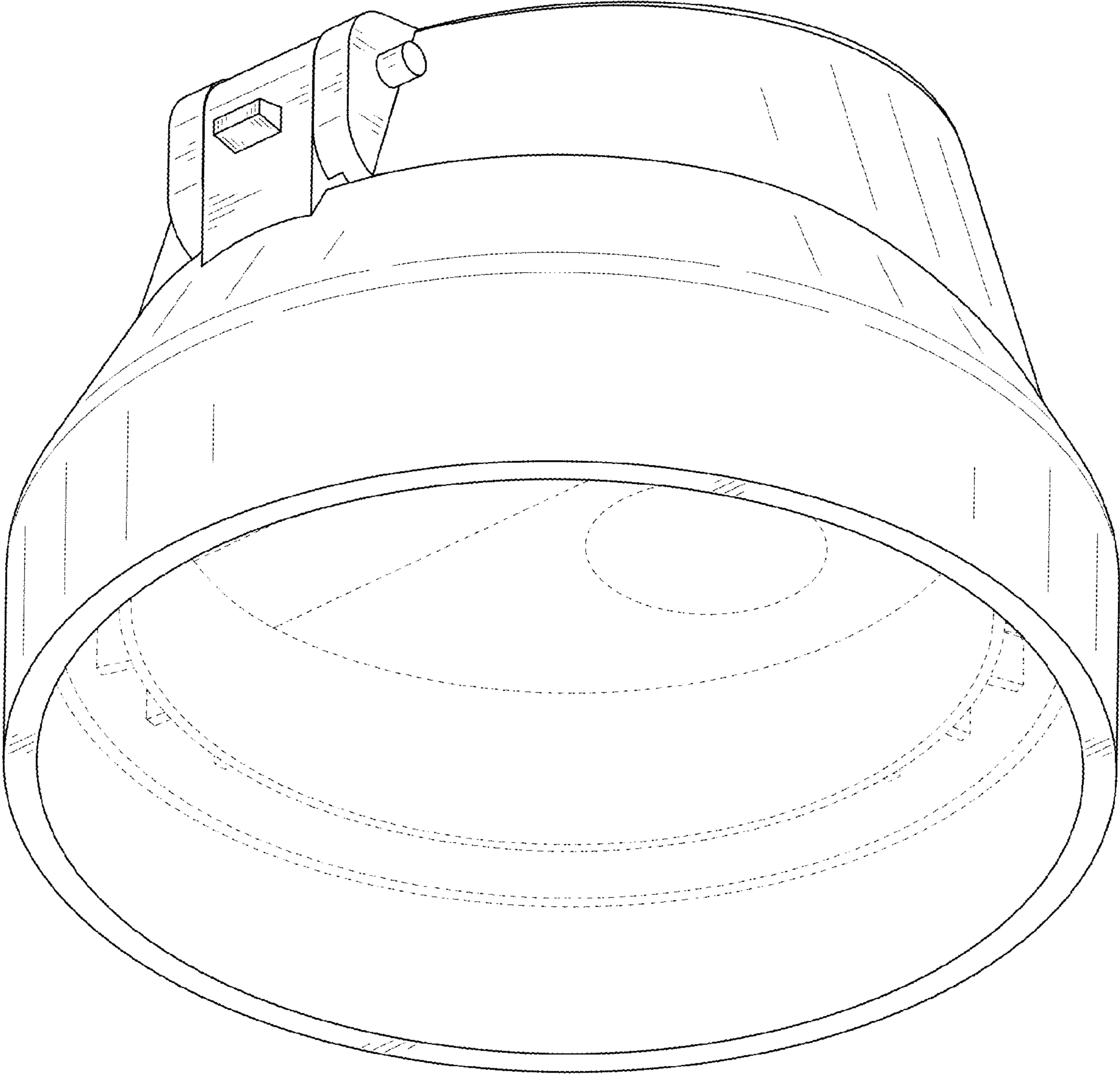


FIG. 2

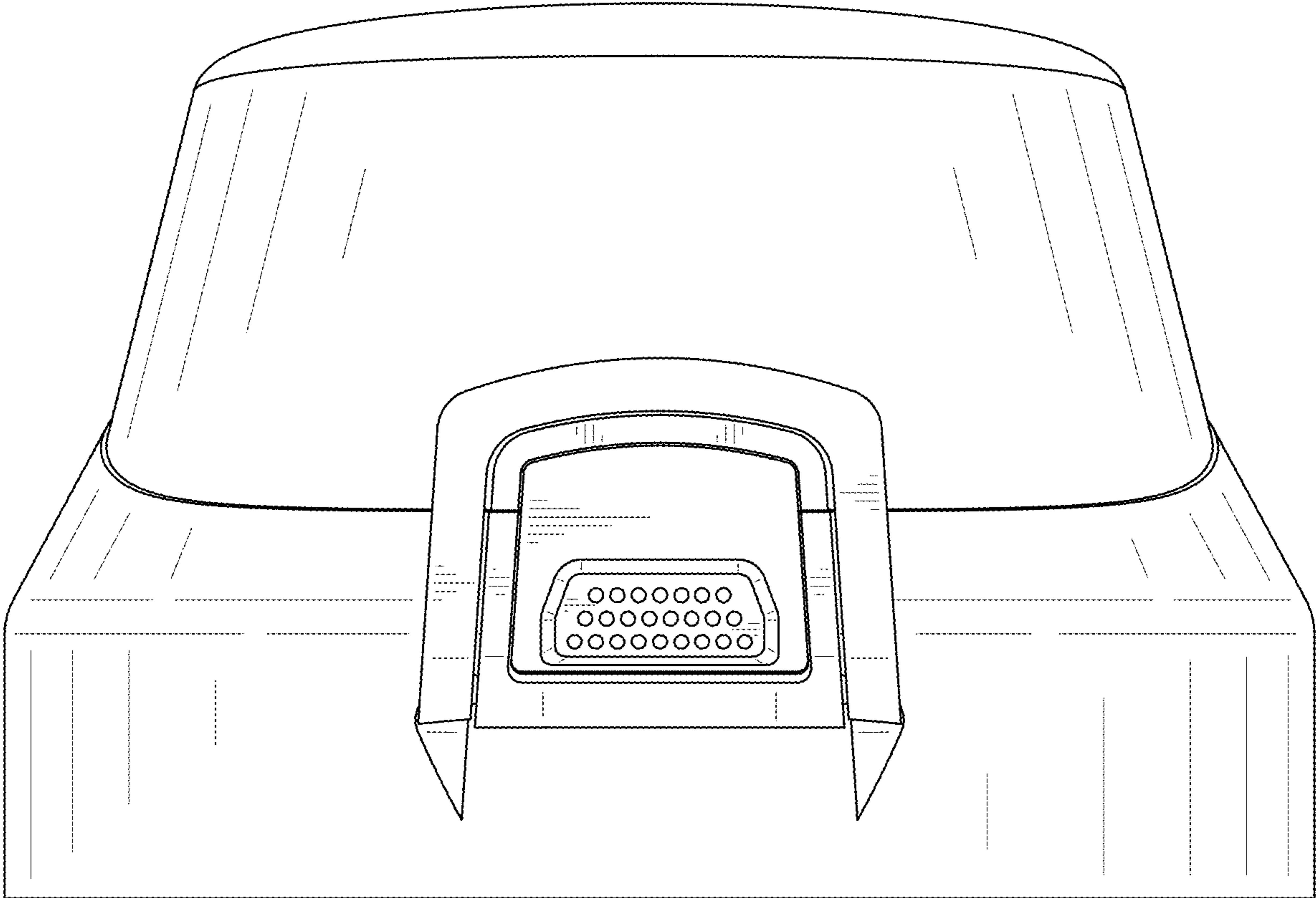


FIG. 3

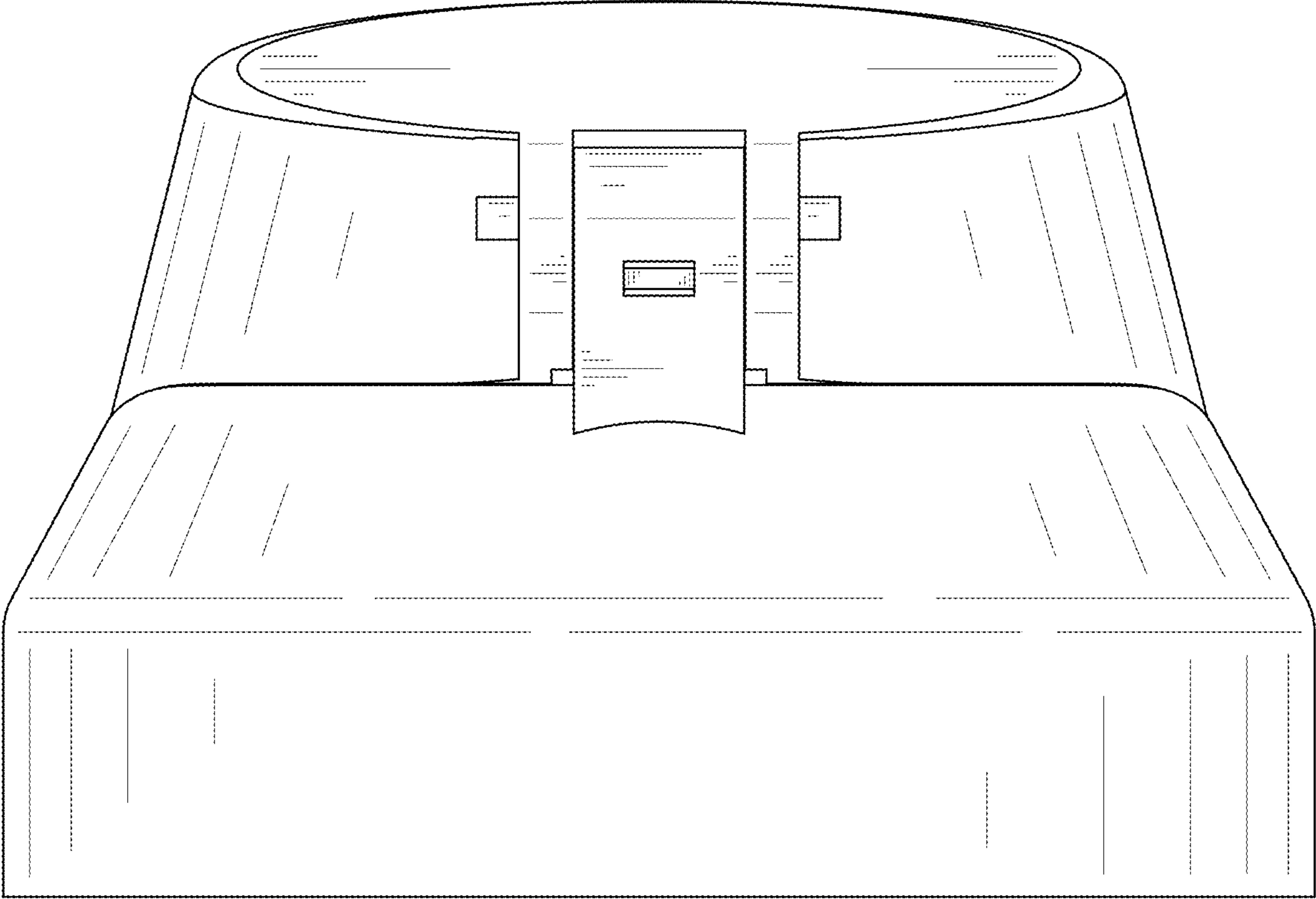


FIG. 4

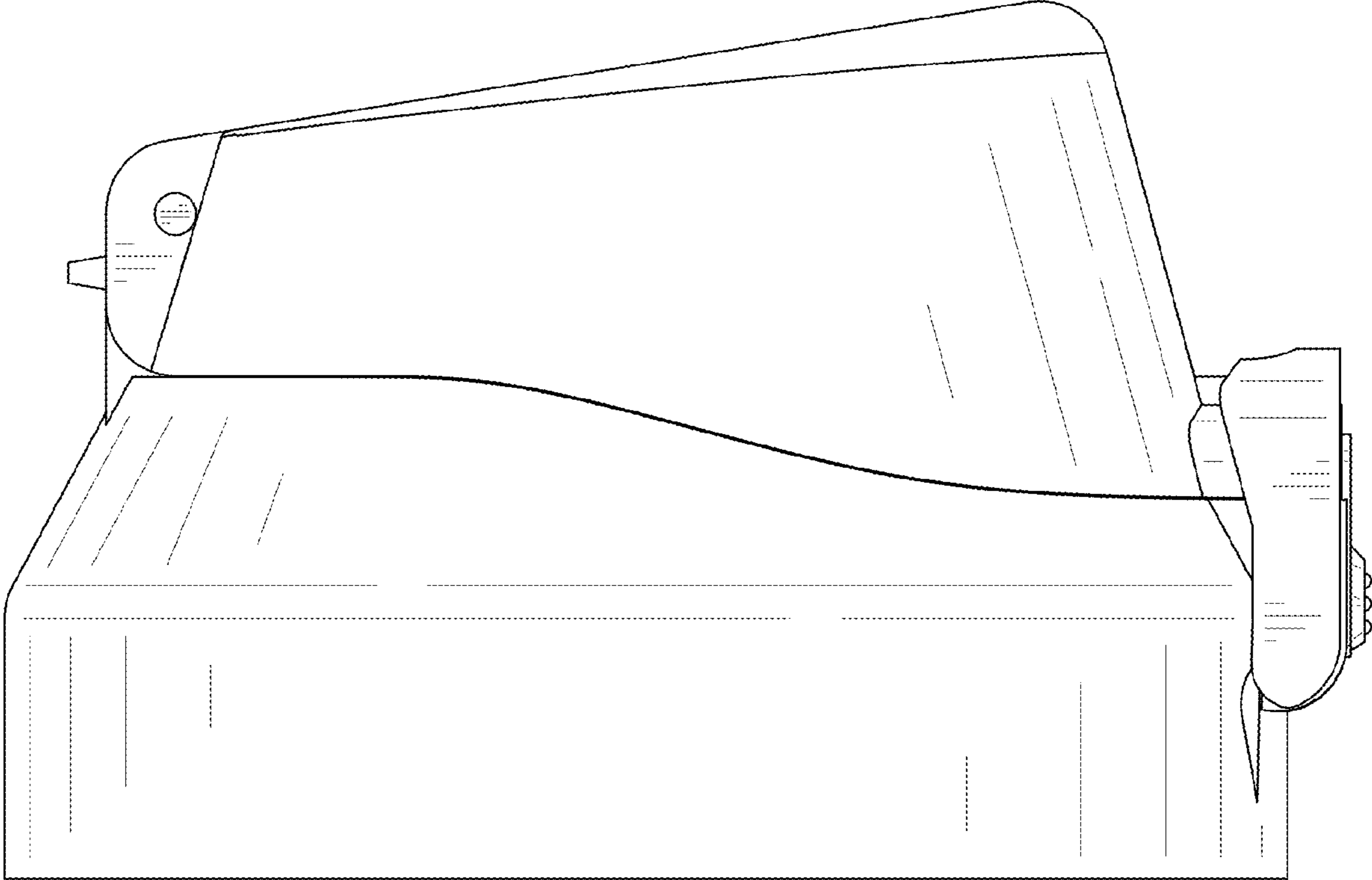


FIG. 5

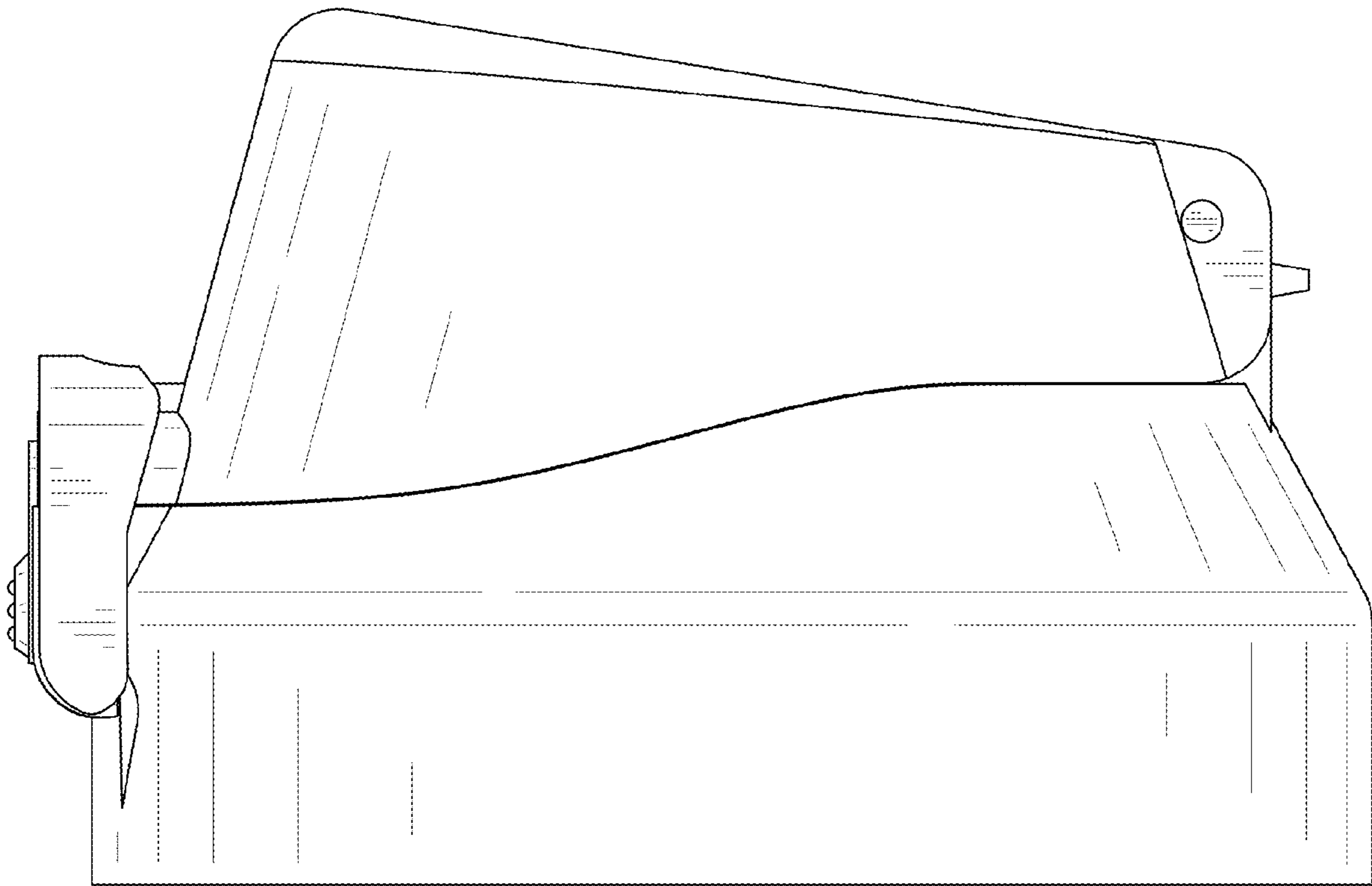


FIG. 6

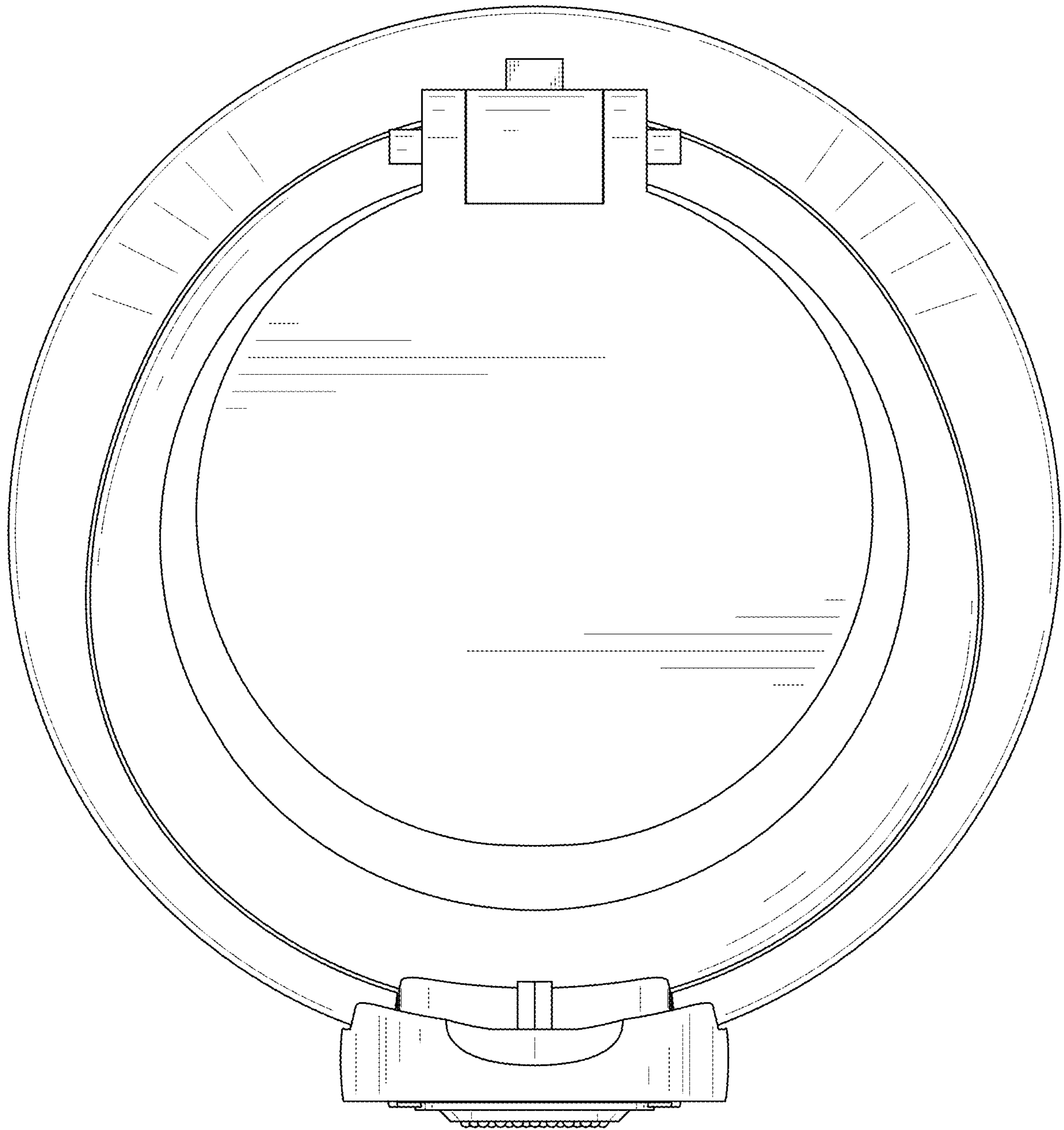


FIG. 7

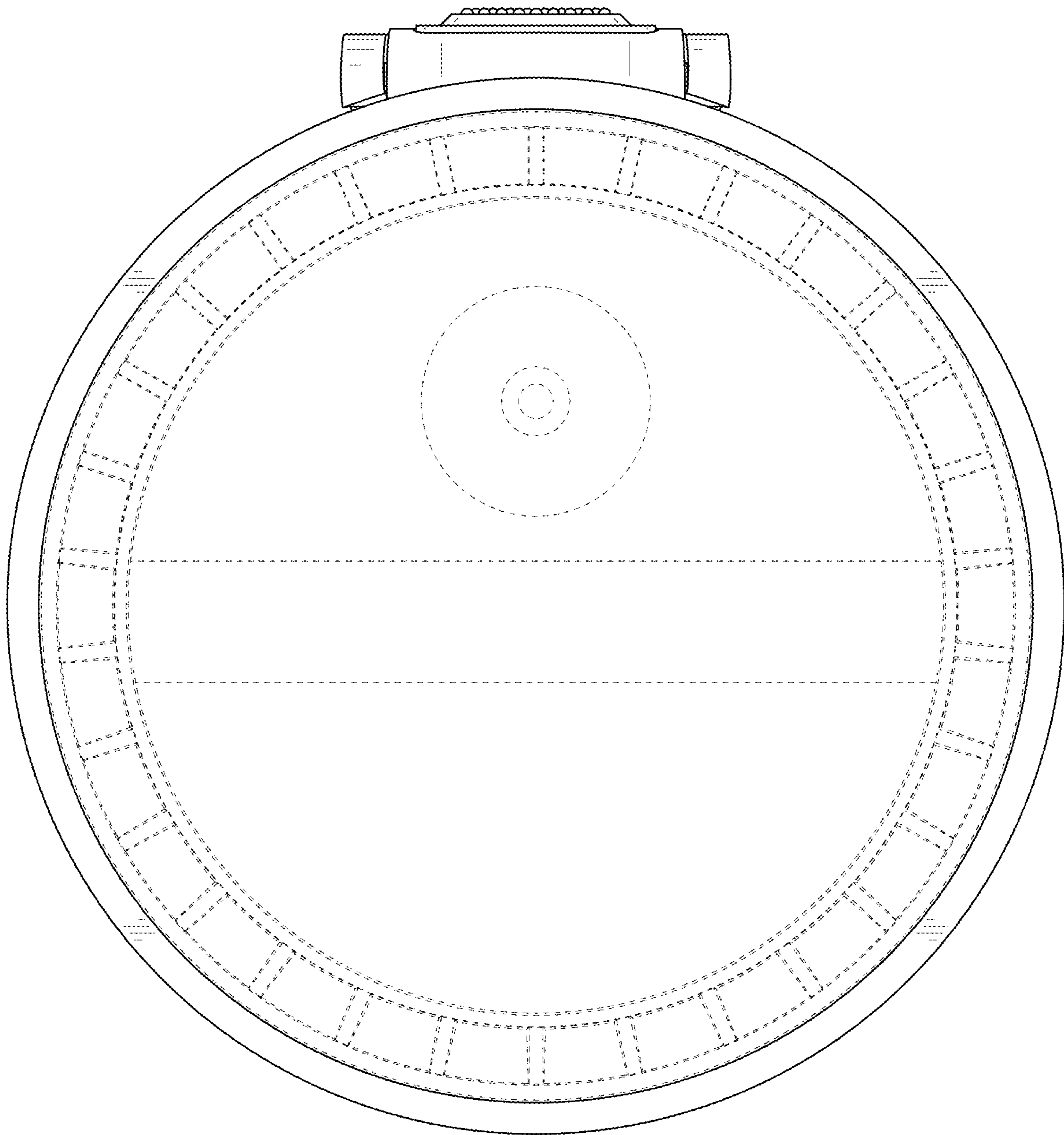


FIG. 8

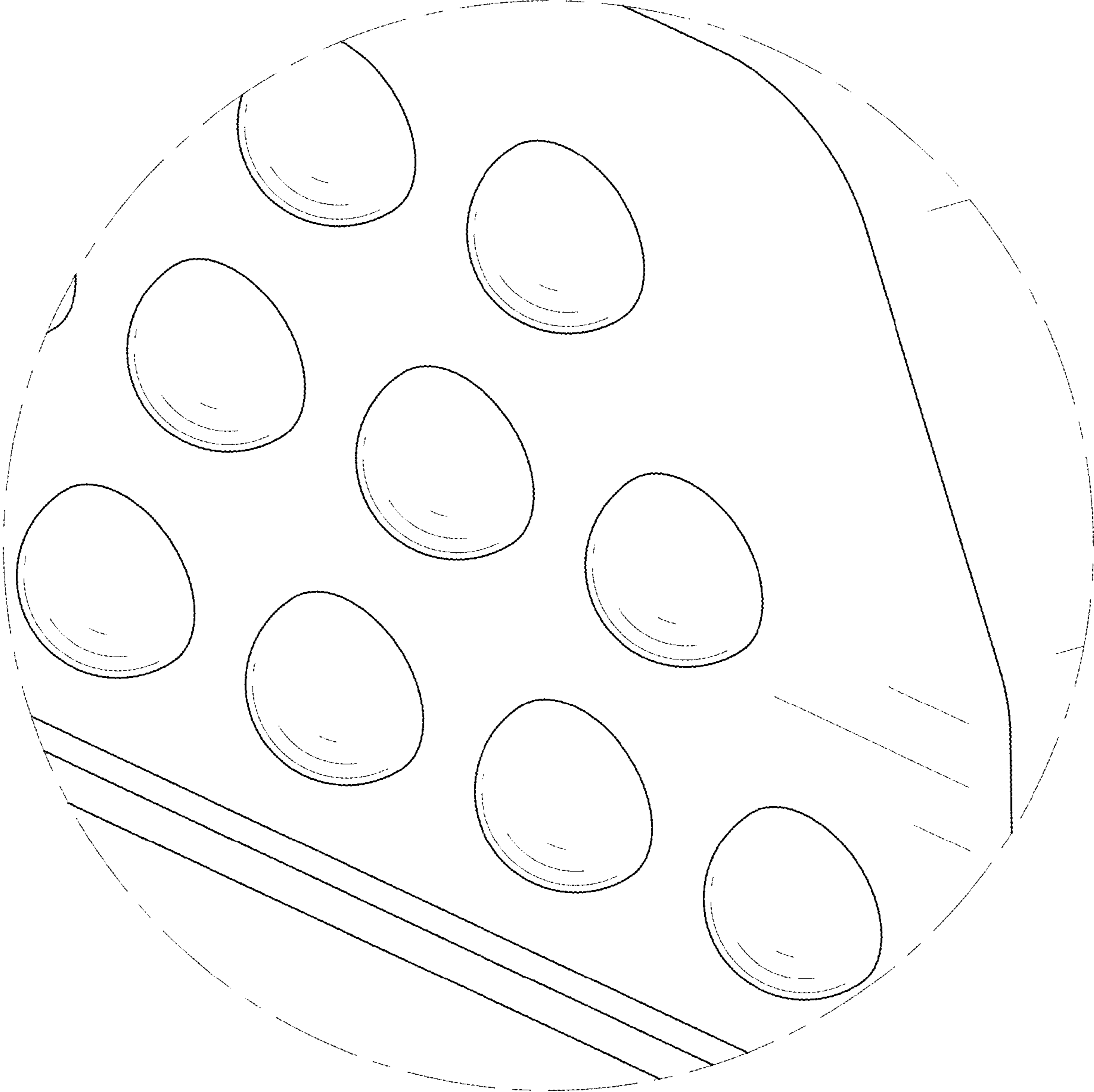


FIG. 9