



US00D951701S

(12) **United States Design Patent**
Zhang

(10) **Patent No.:** **US D951,701 S**

(45) **Date of Patent:** **** May 17, 2022**

(54) **BOTTLE LID**

(71) Applicant: **Siduo Zhang**, Guangdong (CN)

(72) Inventor: **Siduo Zhang**, Guangdong (CN)

(73) Assignee: **GUANGZHOU BAOMEI NETWORK TECHNOLOGY CO., LTD.**, Guangzhou (CN)

(**) Term: **15 Years**

(21) Appl. No.: **29/783,619**

(22) Filed: **May 13, 2021**

(51) **LOC (13) Cl.** **07-99**

(52) **U.S. Cl.**
USPC **D7/392.1**

(58) **Field of Classification Search**
USPC D9/434, 435; D7/213, 300, 392, 392.1,
D7/393, 396.2, 397, 398, 507, 510, 693
CPC A47G 19/22; A47G 19/2266
See application file for complete search history.

(56) **References Cited**

U.S. PATENT DOCUMENTS

D770,222 S * 11/2016 Boroski D9/449
D853,181 S * 7/2019 Stanton D7/392.1

D865,441 S * 11/2019 Lowette D7/392
D881,642 S * 4/2020 Zhang D7/392.1
D884,416 S * 5/2020 Meyers D7/392.1
D884,473 S 5/2020 Tse et al.
D917,960 S 5/2021 Yao

* cited by examiner

Primary Examiner — S. Bryan Reinholdt, Jr.

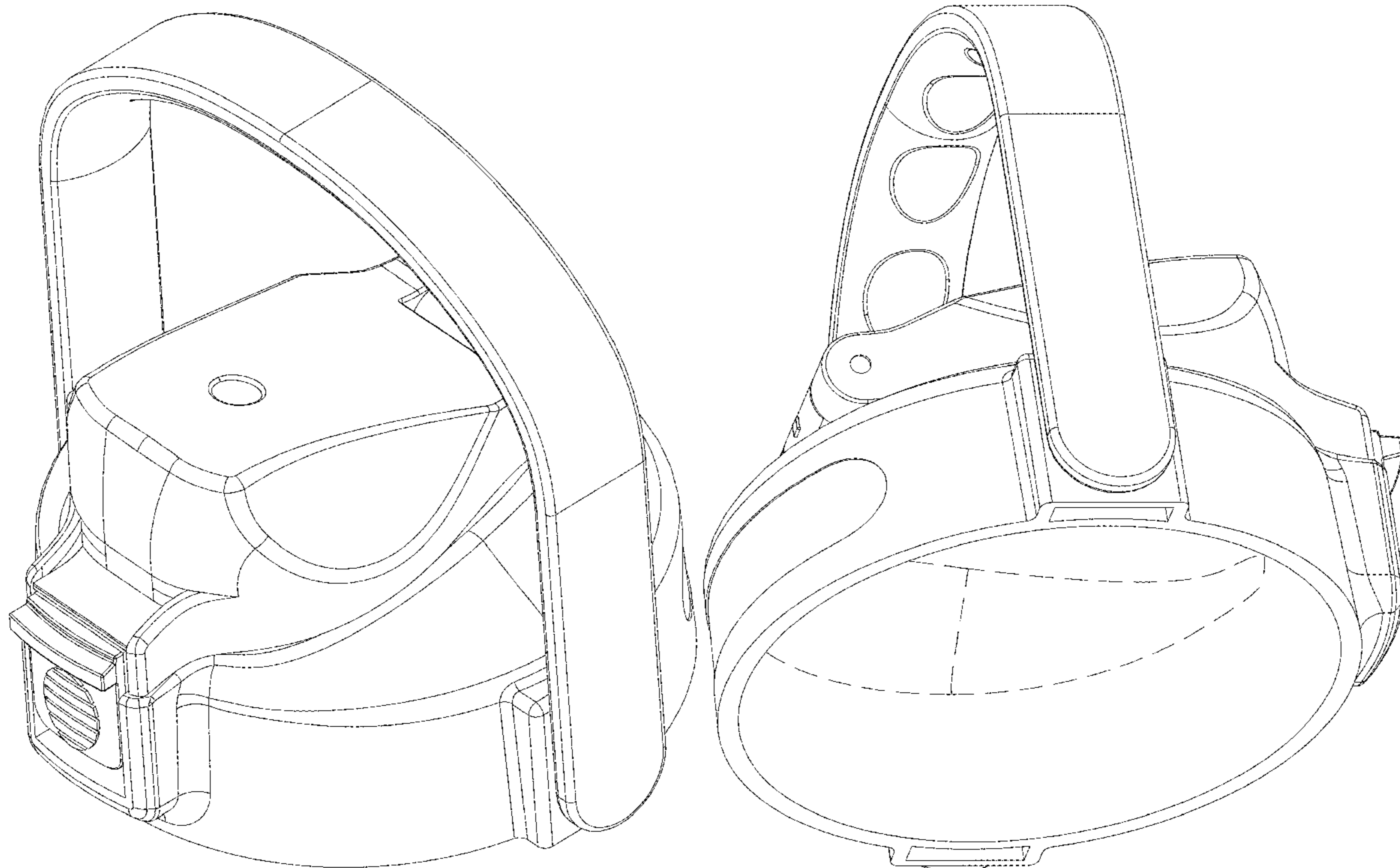
(57) **CLAIM**

The ornamental design for a bottle lid, as shown and described.

DESCRIPTION

FIG. 1 is a top, front, right side perspective view of a bottle lid showing my new design;
FIG. 2 is a bottom, rear, left side perspective view thereof;
FIG. 3 is a front elevation view thereof;
FIG. 4 is a rear elevation view thereof;
FIG. 5 is a left side elevation view thereof, the right side elevation view being a mirror image of the left side elevation view;
FIG. 6 is a top plan view thereof; and,
FIG. 7 is a bottom plan view thereof.
The broken lines in the drawings illustrate portions of the bottle lid that form no part of the claimed design.

1 Claim, 7 Drawing Sheets



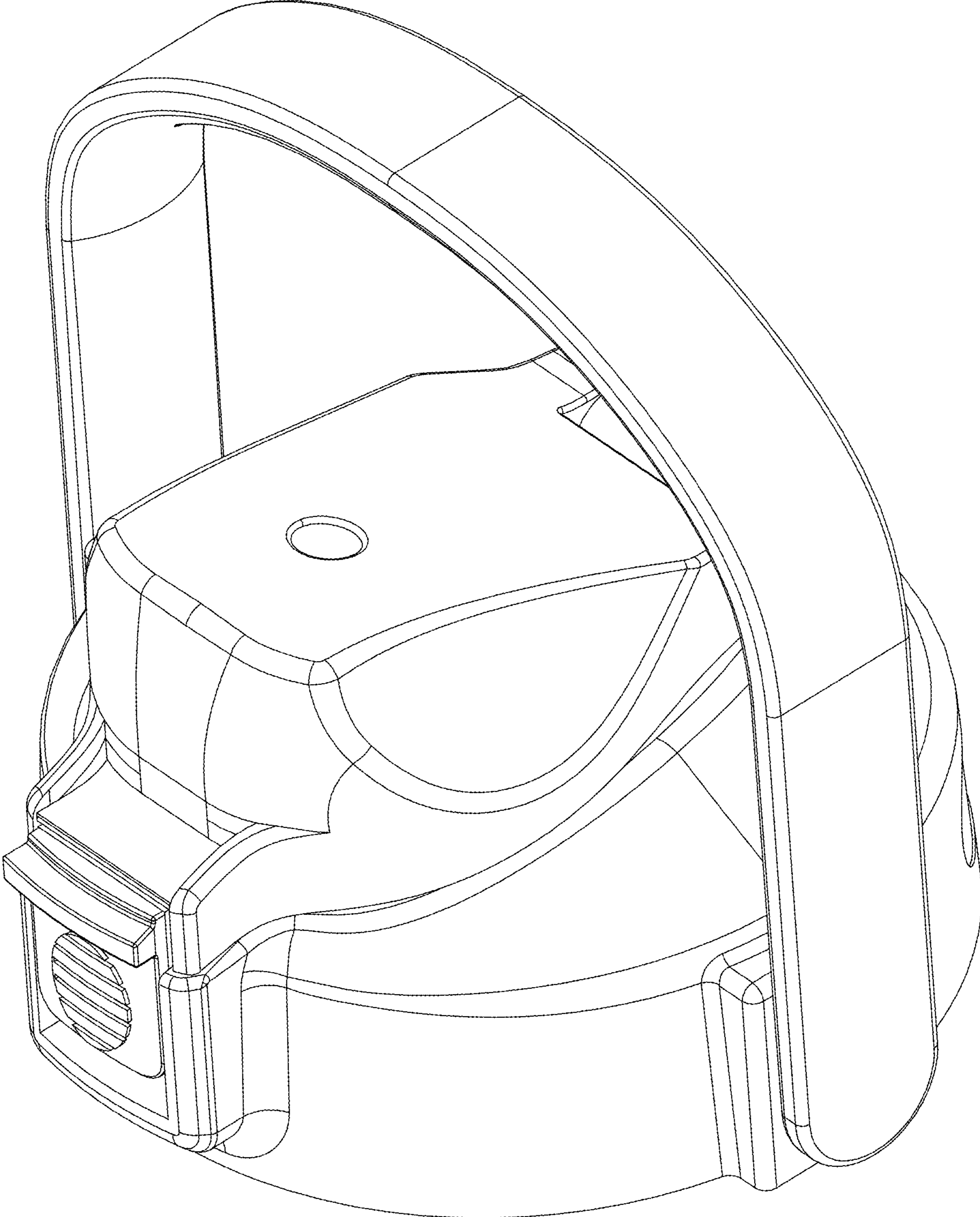


FIG.1

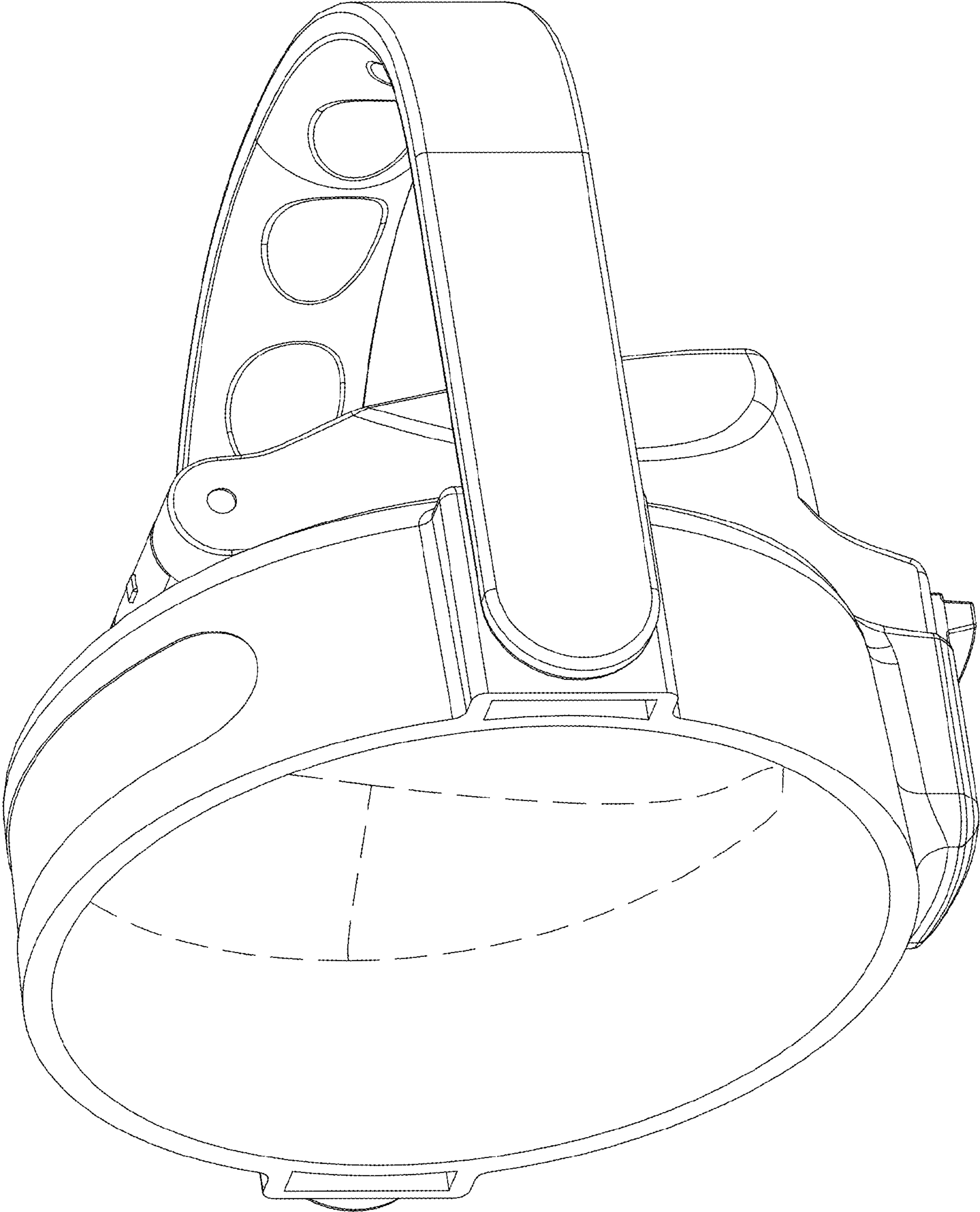


FIG.2

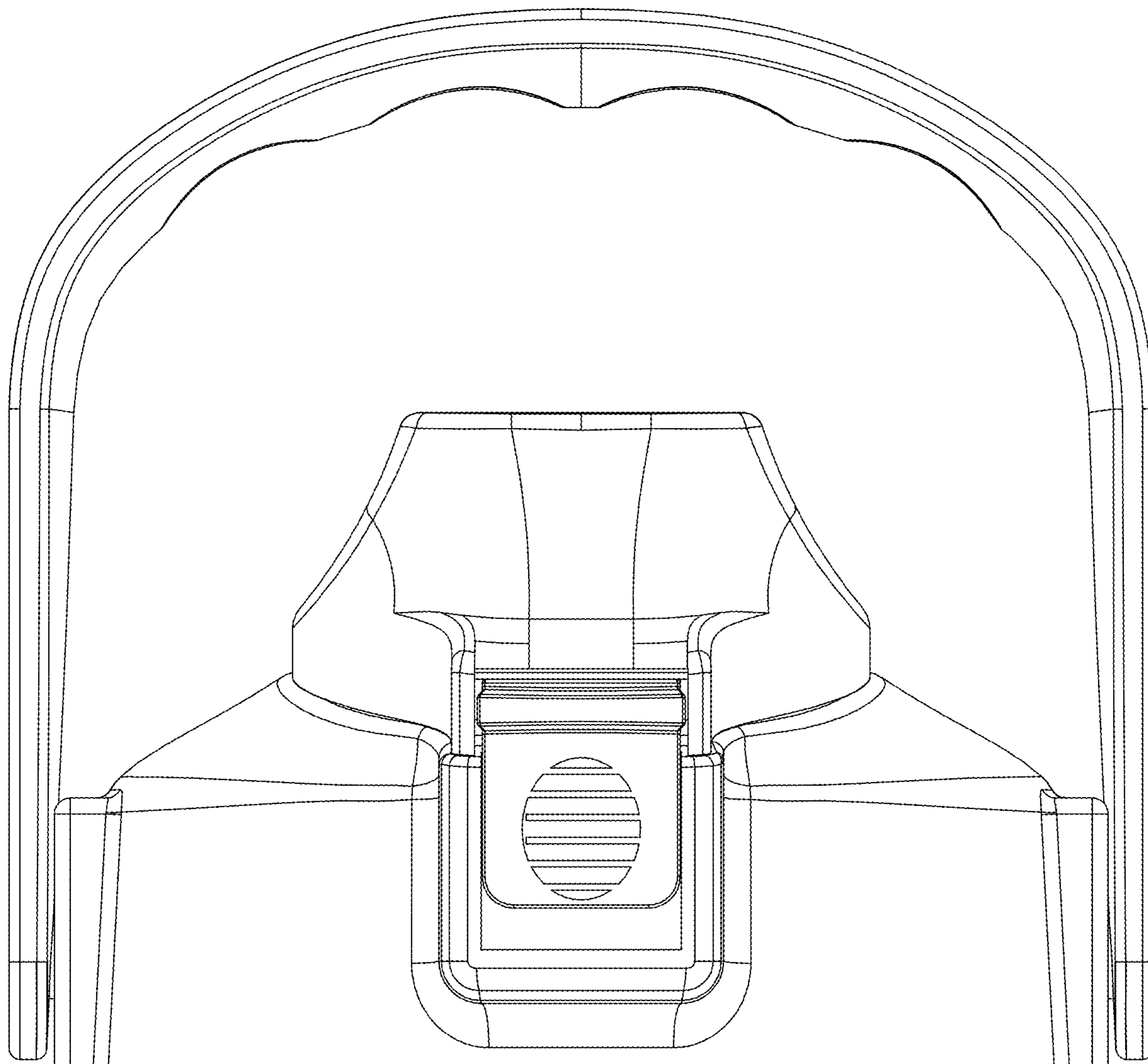


FIG.3

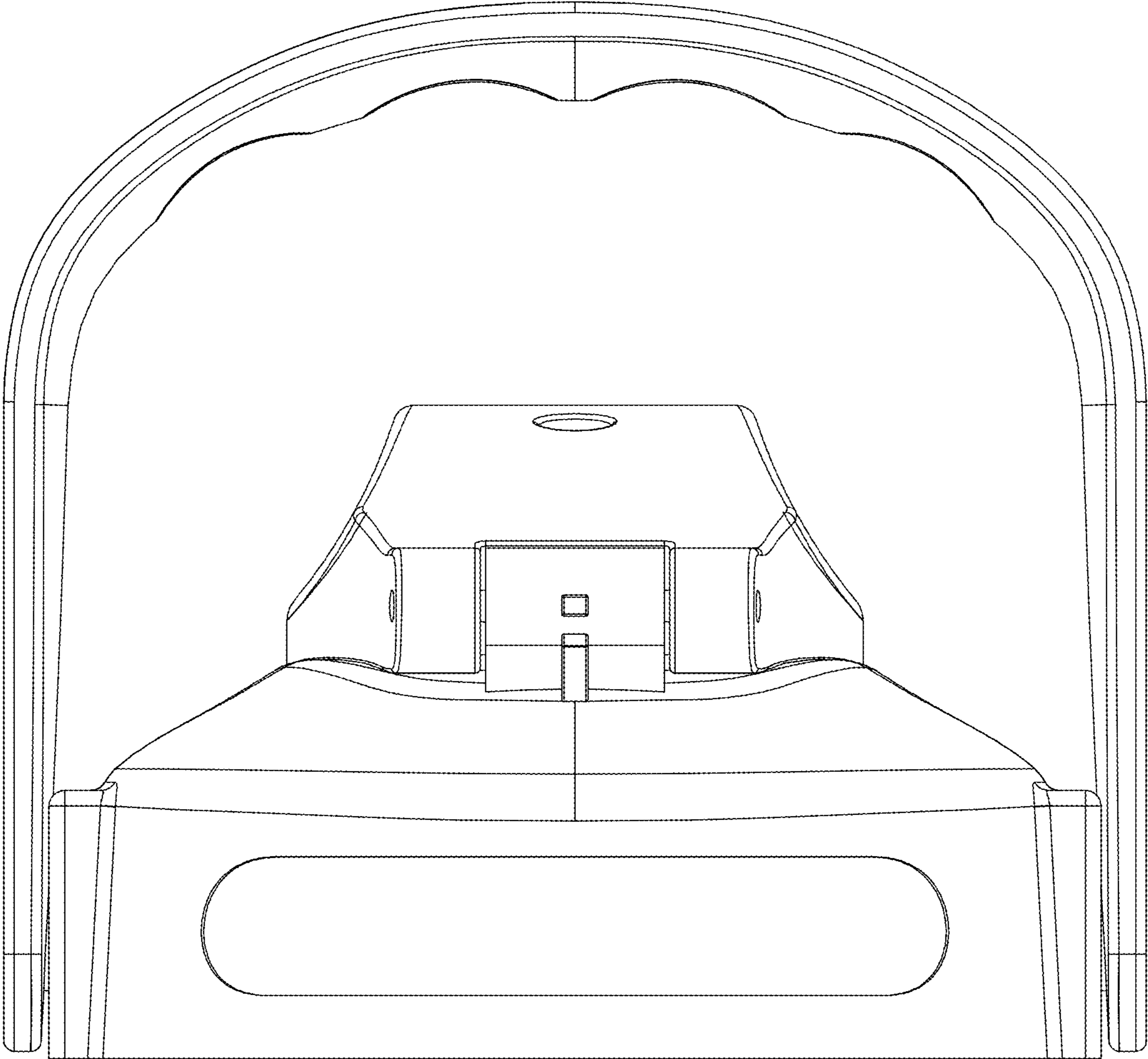


FIG.4

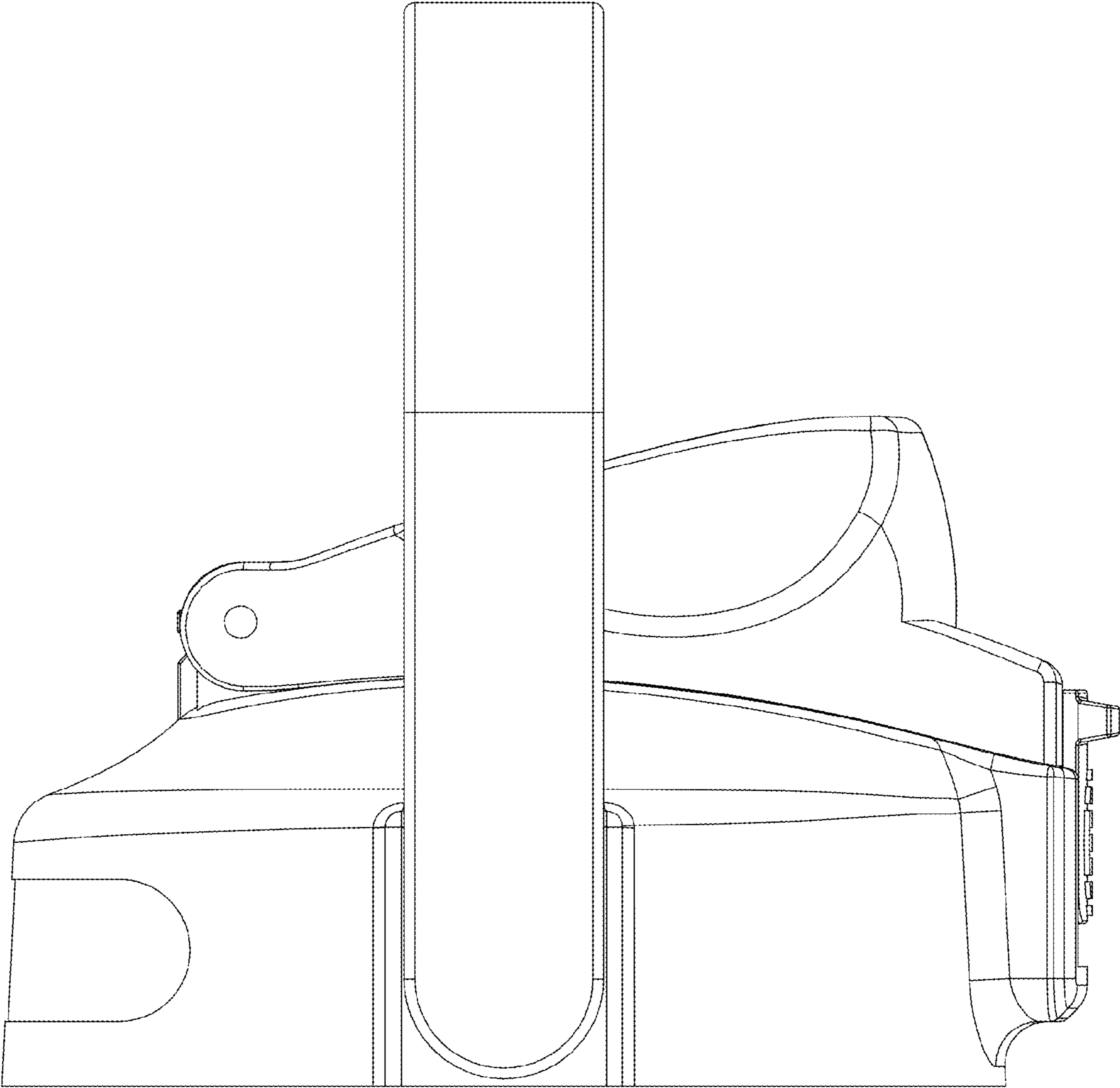


FIG.5

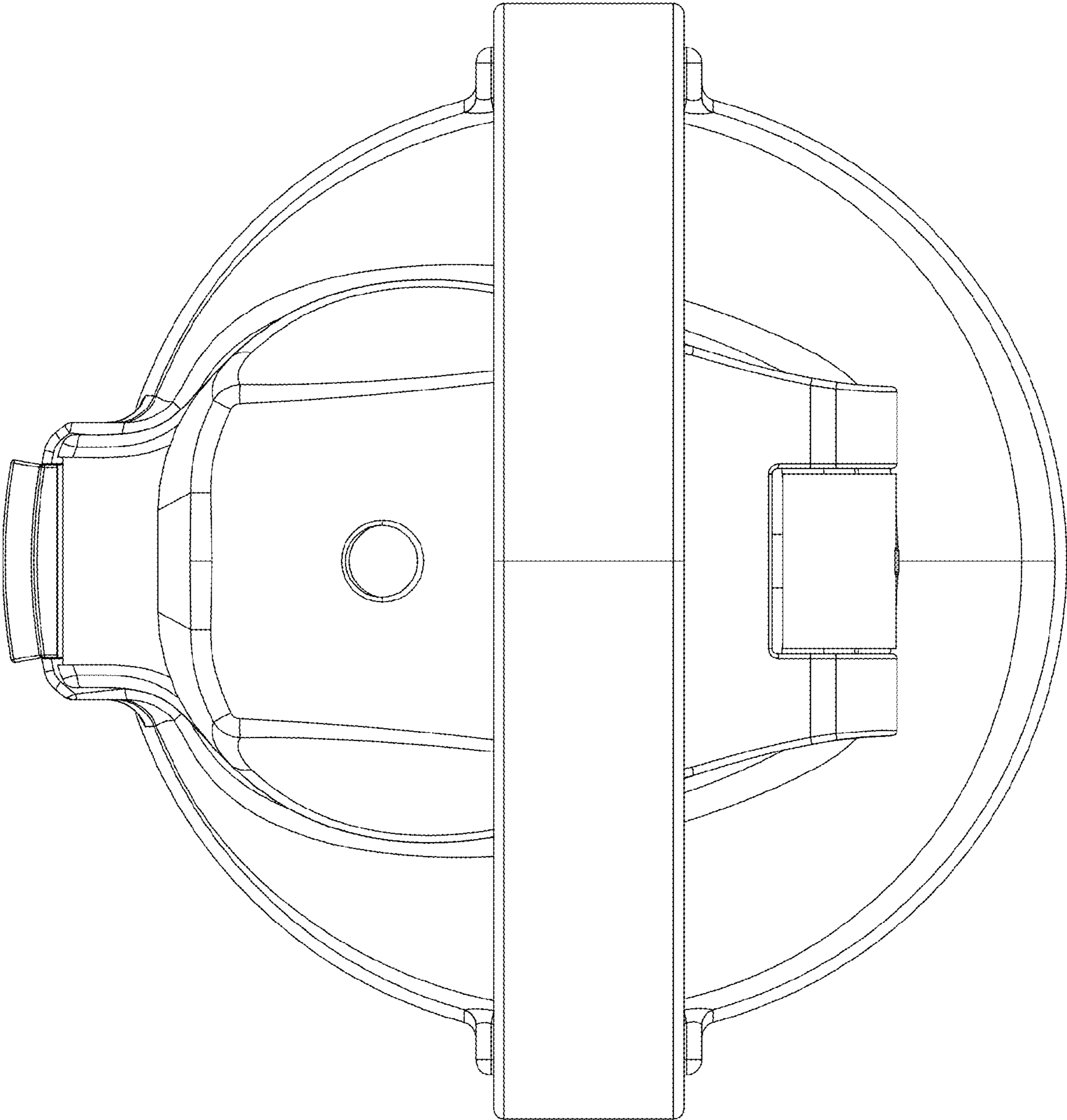


FIG.6

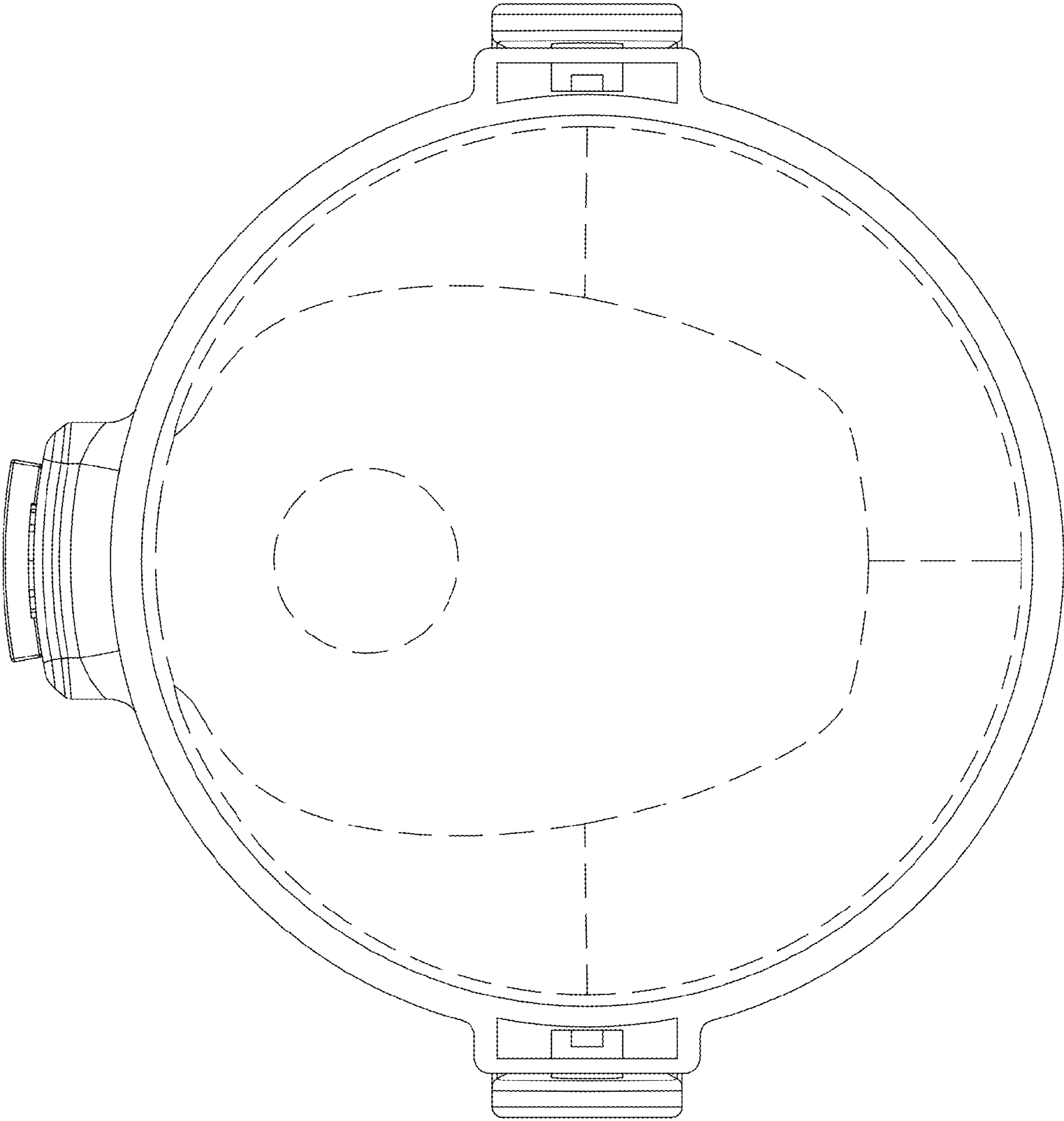


FIG.7