



US00D951700S

(12) **United States Design Patent** (10) **Patent No.:** **US D951,700 S**
Chen (45) **Date of Patent:** **** May 17, 2022**

(54) **BOTTLE LID**

(71) Applicant: **FUJIAN SPD E-COMMERCE CO., LTD.**, Xiamen (CN)

(72) Inventor: **Honghui Chen**, Xiamen (CN)

(73) Assignee: **FUJIAN SPD E-COMMERCE CO., LTD.**, Xiamen (CN)

(**) Term: **15 Years**

(21) Appl. No.: **29/783,233**

(22) Filed: **May 12, 2021**

(51) **LOC (13) Cl.** **07-99**

(52) **U.S. Cl.**
USPC **D7/392.1; D9/449**

(58) **Field of Classification Search**
USPC D7/387, 392, 392.1, 396.2, 507, 509,
D7/510, 511; D9/449, 519, 530, 719,
D9/738, 739

CPC . A47G 19/22; A47G 19/2227; A47G 19/2288
See application file for complete search history.

(56) **References Cited**

U.S. PATENT DOCUMENTS

D451,023 S *	11/2001	Kitamura	D9/449
D590,661 S *	4/2009	Kitamura	D7/510
D596,460 S *	7/2009	Nezu	D7/510
D608,640 S *	1/2010	Carreno	D9/449
D625,146 S *	10/2010	George	D7/392
D725,966 S *	4/2015	Boroski	D7/511
D739,183 S *	9/2015	Lane	D7/605
D779,872 S	2/2017	Bergstrom	
D794,453 S *	8/2017	Boroski	D9/449
D795,011 S *	8/2017	Pisarevsky	D7/510
D808,723 S *	1/2018	Guthrie	D7/511
D817,713 S *	5/2018	Lin	D7/510
D818,767 S *	5/2018	Nezu	D7/392.1
D823,641 S *	7/2018	Bodum	D7/510
D840,187 S *	2/2019	Sams	D7/392

D865,441 S *	11/2019	Lowette	D7/392
D874,877 S *	2/2020	Hu	D7/608
D886,517 S	6/2020	Bo	
D890,564 S *	7/2020	Hao	D7/392.1
D892,543 S *	8/2020	Benishai	D7/392.1
D892,557 S *	8/2020	Wang	D7/510
D892,558 S *	8/2020	Wang	D7/510
D892,559 S *	8/2020	Benishai	D7/510
D892,560 S *	8/2020	Wang	D7/511
D893,262 S *	8/2020	Wang	D7/511
D902,648 S *	11/2020	Wang	D7/392.1
D909,810 S *	2/2021	Lin	D7/396.2
D909,815 S *	2/2021	Gui	D7/510

(Continued)

OTHER PUBLICATIONS

EBay website, Venture Pal 32oz Water Bottle, Publication date unknown, [site visited Dec. 16, 2021], Available on the Internet URL <https://www.ebay.com/itm/313240425278> (Year: 2021).*

Primary Examiner — S. Bryan Reinholdt, Jr.

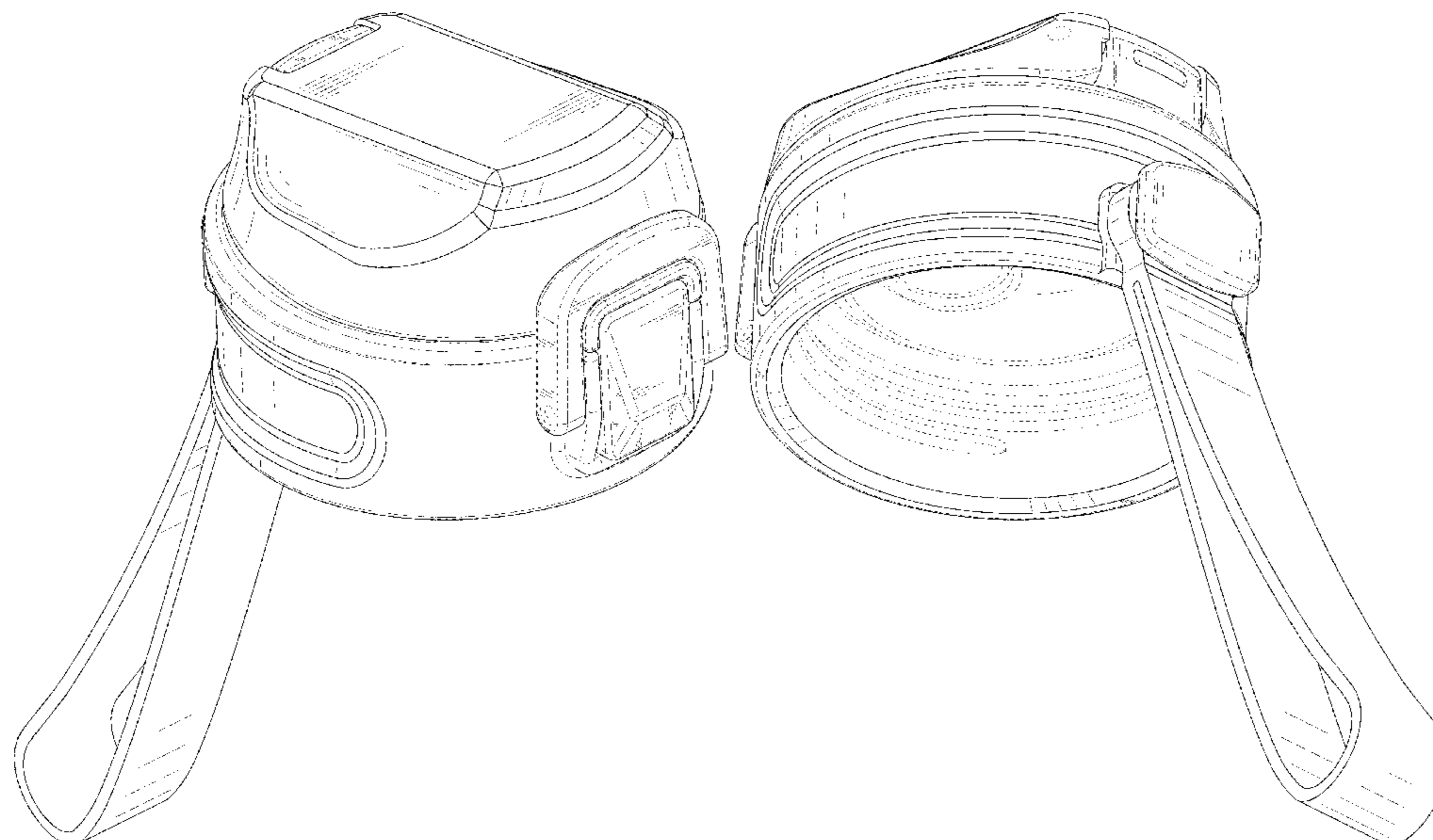
(57) **CLAIM**

The ornamental design for a bottle lid, as shown and described.

DESCRIPTION

FIG. 1 is a perspective view of a bottle lid showing my new design;
FIG. 2 is another perspective view thereof;
FIG. 3 is a front elevational view thereof;
FIG. 4 is a rear elevational view thereof;
FIG. 5 is a left side elevational view thereof;
FIG. 6 is a right side elevational view thereof;
FIG. 7 is a top plan view thereof; and,
FIG. 8 is a bottom plan view thereof.
The broken lines and the unshaded areas adjacent to them in the drawings depict portions of the bottle lid that form no part of the claimed design.

1 Claim, 8 Drawing Sheets



(56)

References Cited

U.S. PATENT DOCUMENTS

D922,138 S *	6/2021	Chen	D7/392.1
D923,399 S *	6/2021	Egorov	D7/396.2
D928,558 S *	8/2021	Han	D7/392.1
D937,625 S *	12/2021	Huang	D7/392.1
2019/0021529 A1 *	1/2019	Schucker	G16H 20/30

* cited by examiner



FIG. 1

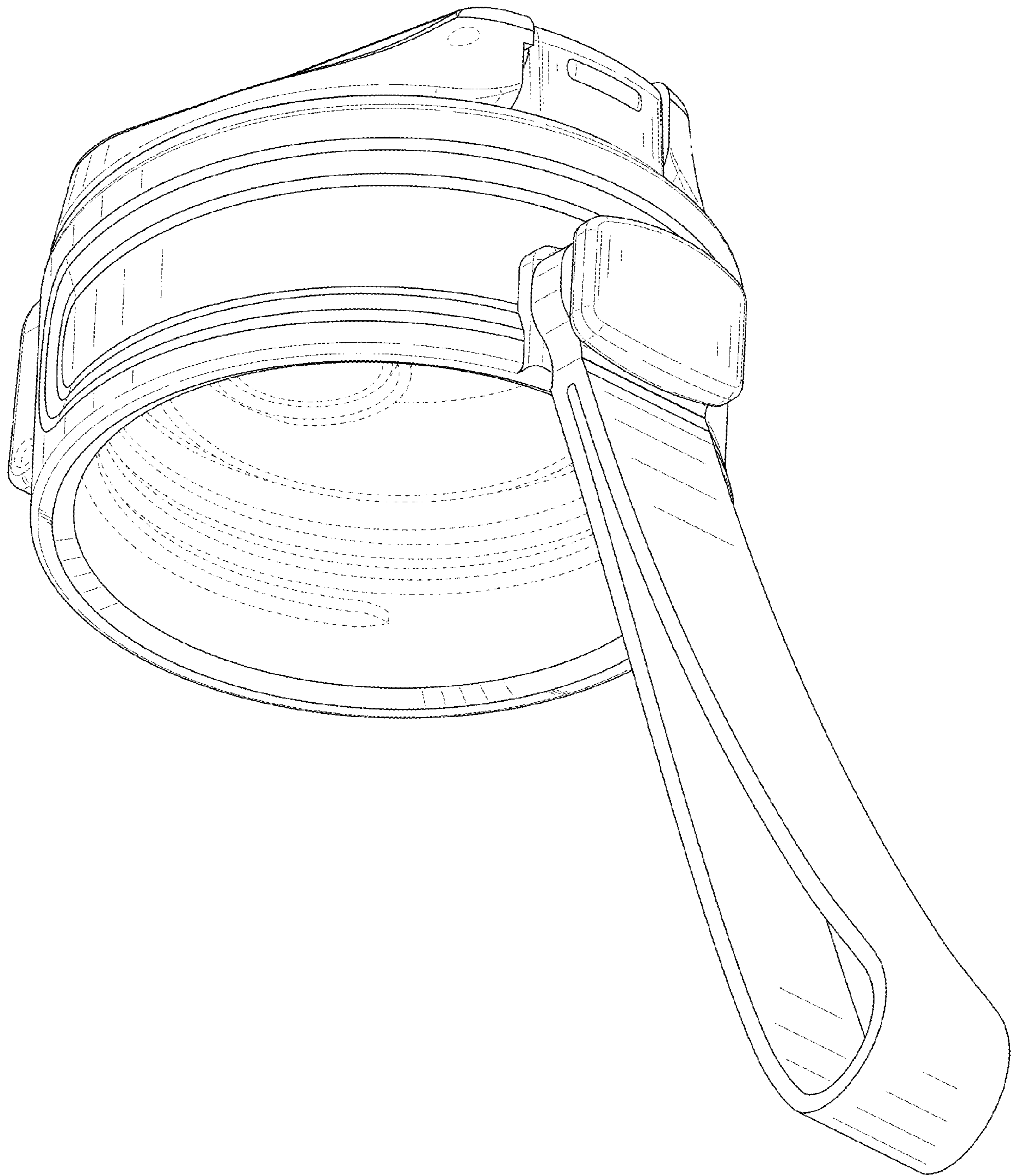


FIG. 2

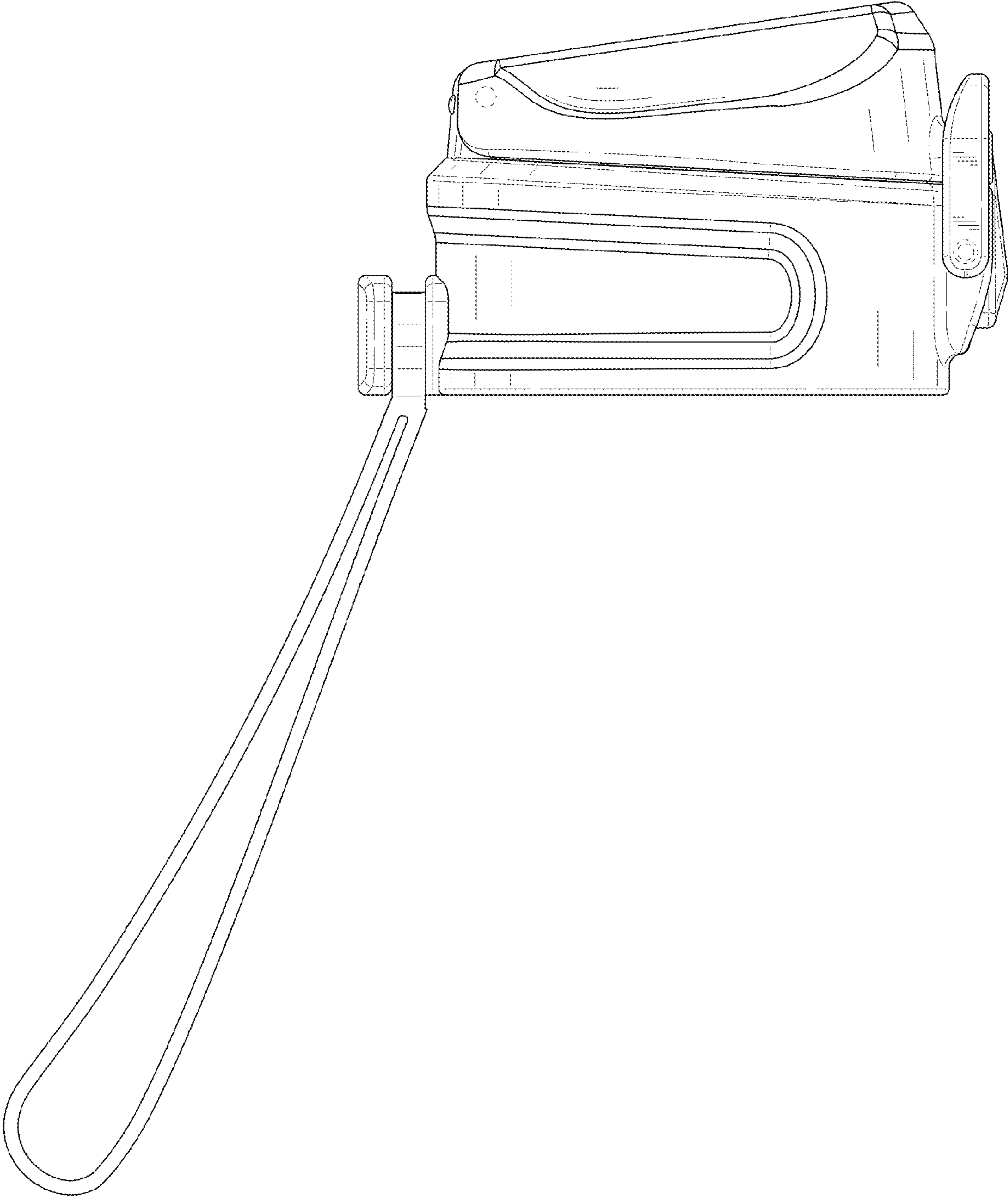


FIG. 3

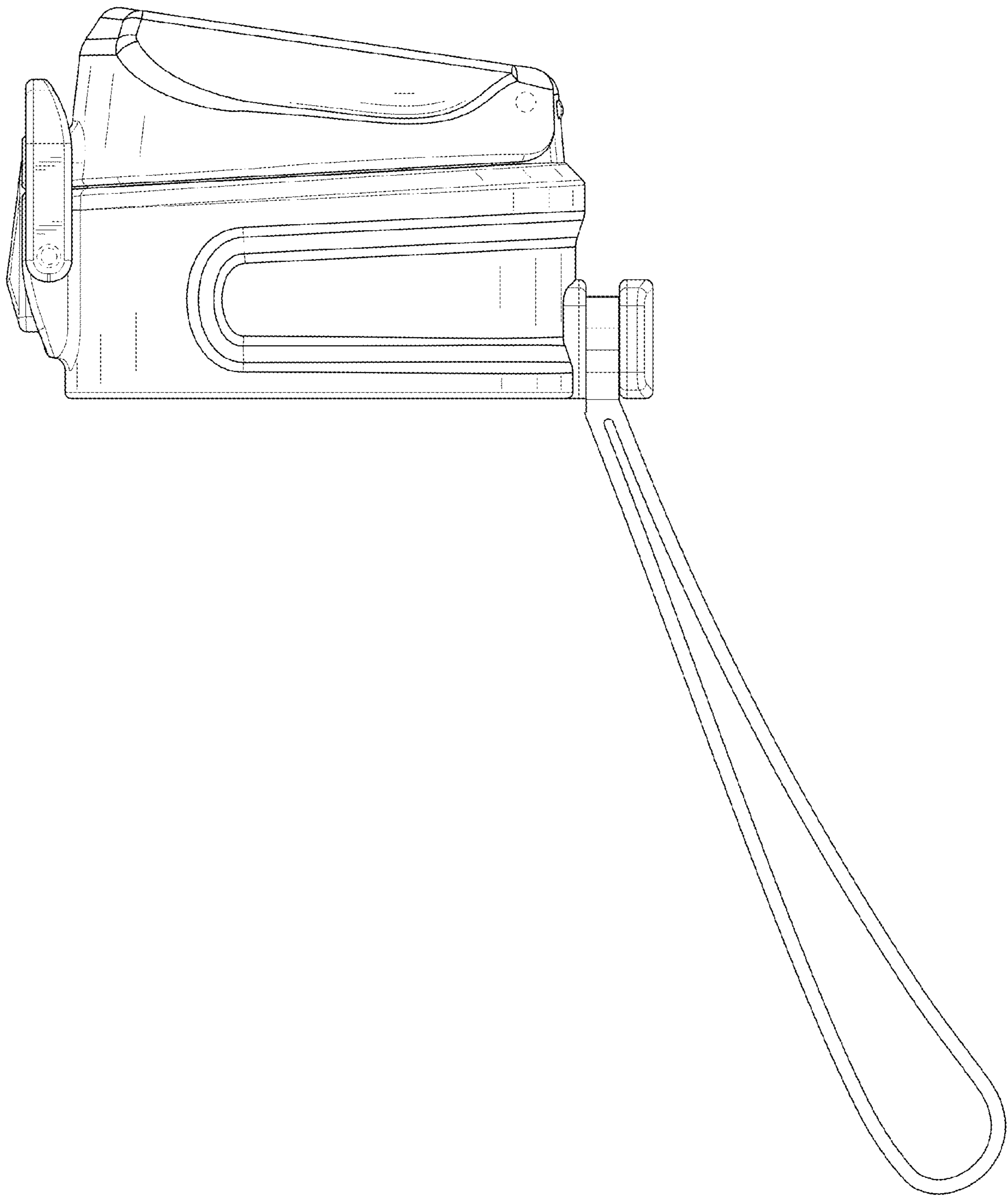


FIG. 4

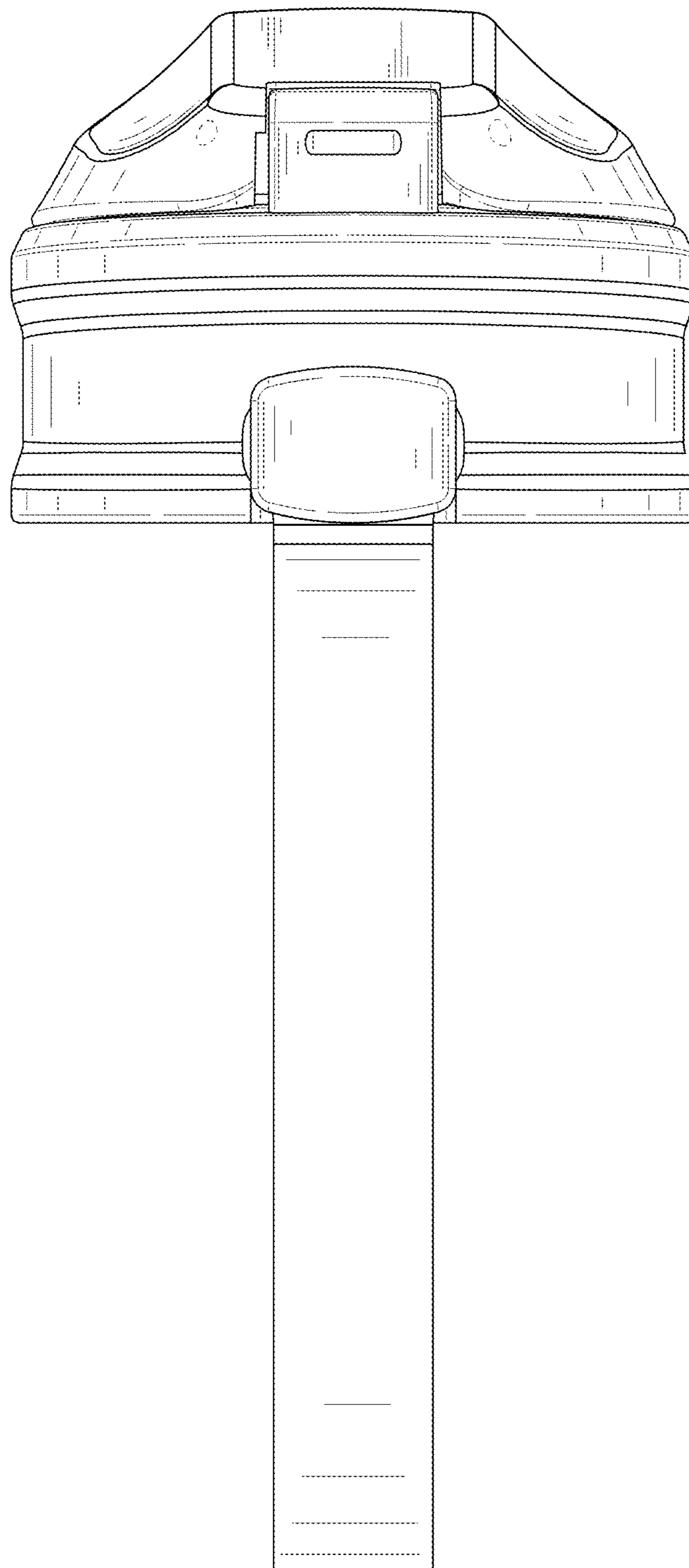


FIG. 5

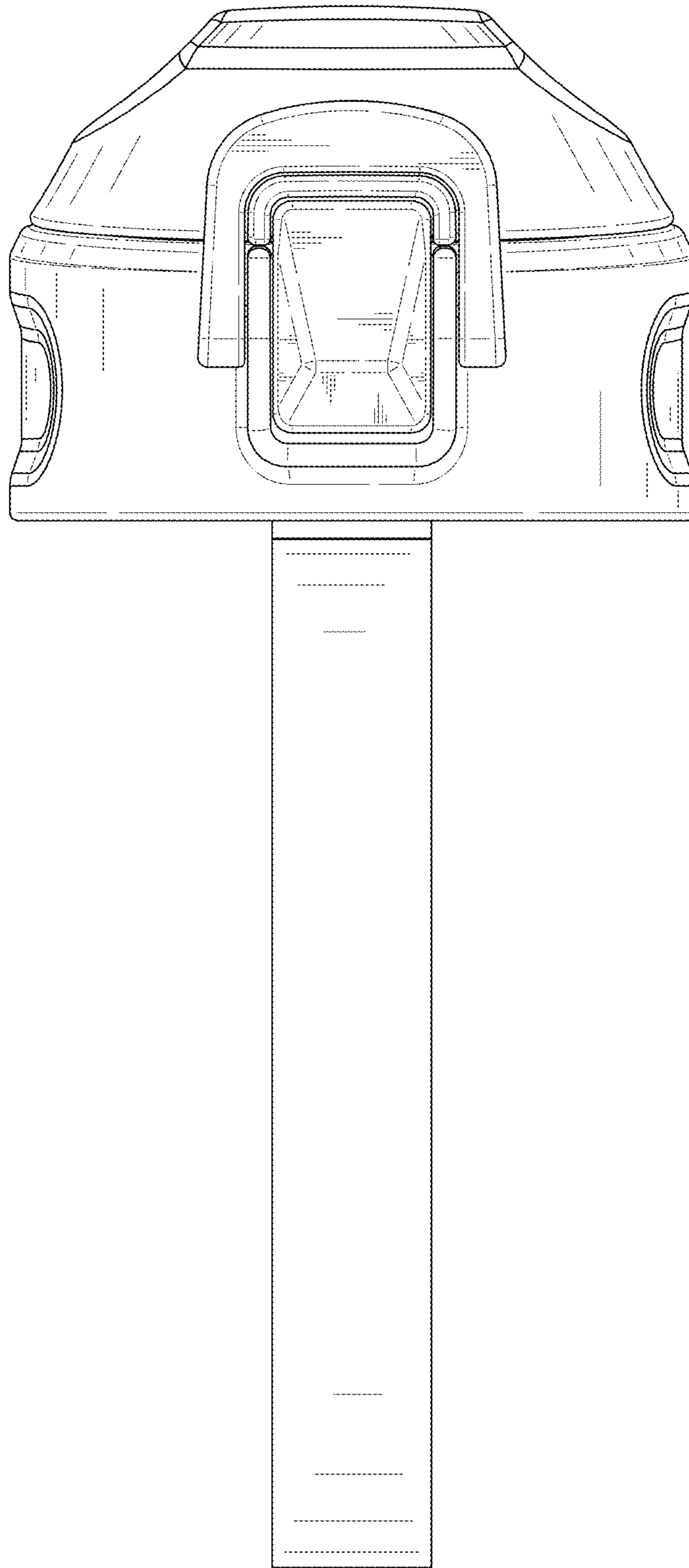


FIG. 6

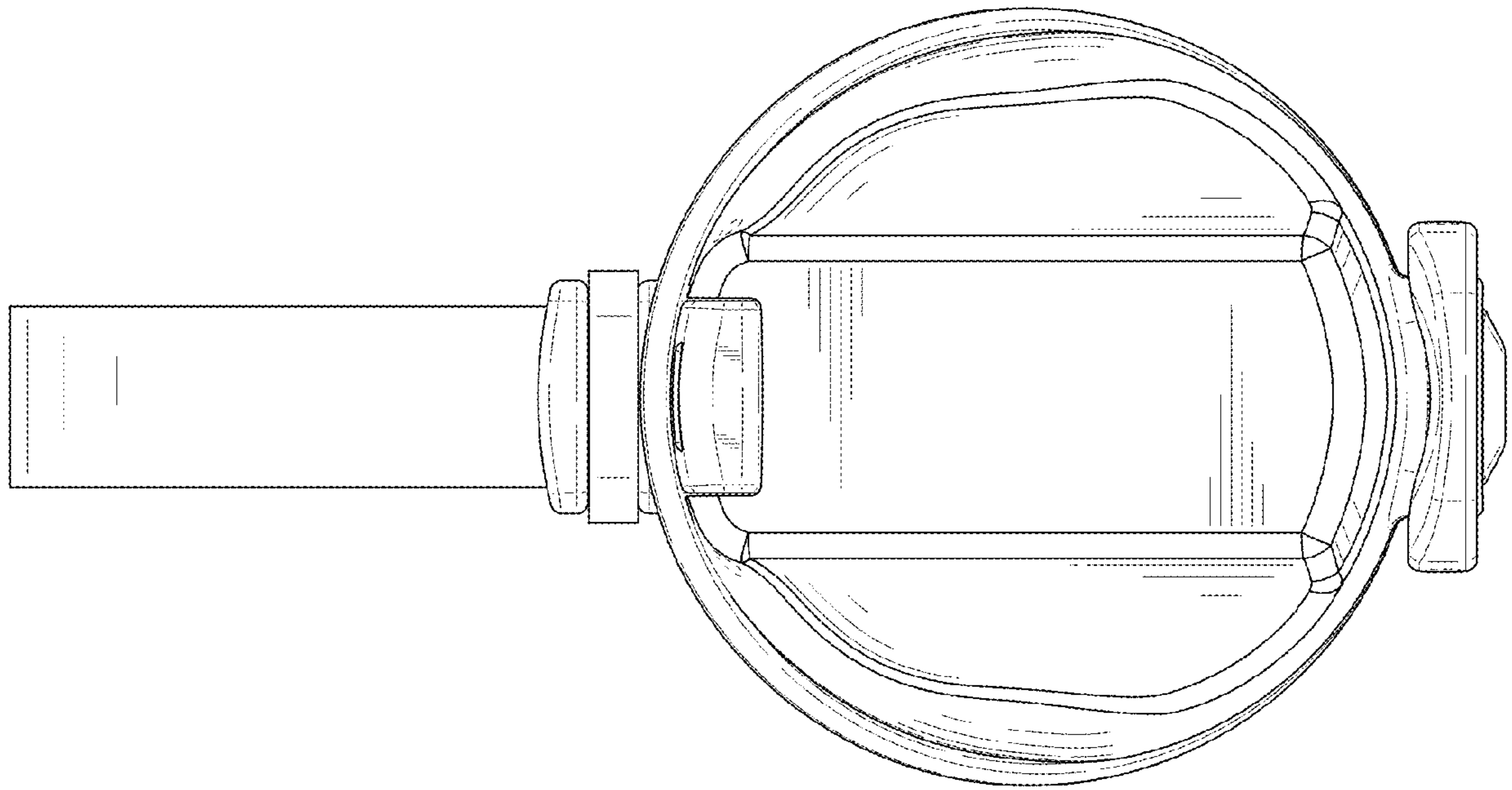


FIG. 7

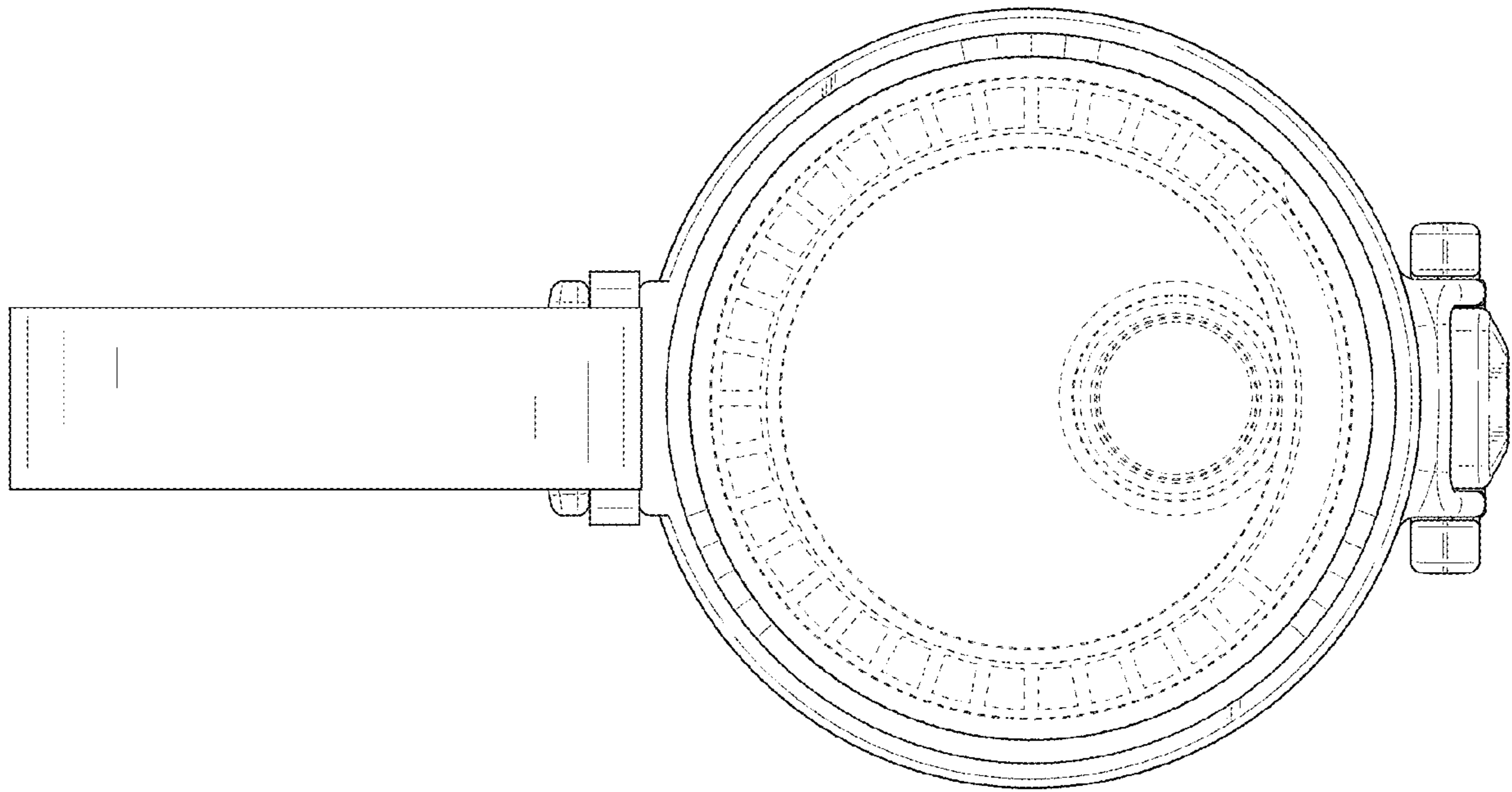


FIG. 8