



US00D951699S

(12) **United States Design Patent** (10) **Patent No.:** **US D951,699 S**
Dippel et al. (45) **Date of Patent:** **** May 17, 2022**

(54) **BOTTLE LID**
(71) Applicants: **Karen A. Dippel**, San Jose, CA (US);
Donna Stewart, Mountain View, CA (US)
(72) Inventors: **Karen A. Dippel**, San Jose, CA (US);
Donna Stewart, Mountain View, CA (US)
(73) Assignee: **GEARPROZ, INC.**, San Jose, CA (US)

D808,802 S * 1/2018 Seiders D9/440
D815,890 S * 4/2018 Boroski D7/392.1
D820,085 S * 6/2018 Moore D9/449
D835,459 S * 12/2018 Sedgwick D7/392.1
D855,390 S * 8/2019 Lullie D7/392.1
D867,058 S * 11/2019 Spivey D7/392.1
D873,603 S * 1/2020 Diener D7/392
D884,472 S * 5/2020 Matauch D9/447
D887,774 S * 6/2020 Matauch D7/392.1
D891,866 S * 8/2020 Ames D7/510
D896,026 S * 9/2020 Chu D7/396.2

(Continued)

(**) Term: **15 Years**

OTHER PUBLICATIONS

(21) Appl. No.: **29/734,451**

Werewolves Paracord Handle Learn more: https://www.amazon.com/dp/B086HBMFJT/ref=cm_sw_em_r_mt_dp_044X864MPK9AKZ9EWM99?_enco (Year: 2020).*

(22) Filed: **May 12, 2020**

(Continued)

(51) **LOC (13) Cl.** **07-01**

(52) **U.S. Cl.**
USPC **D7/392.1**; D7/396.2

Primary Examiner — Jae Liang
(74) *Attorney, Agent, or Firm* — Foundation Law Group LLP; Sevag Demirjian; JD Harriman

(58) **Field of Classification Search**
USPC D7/387, 392.1, 396.2, 393, 394, 397,
D7/398, 510, 511, 213, 533, 536, 300.1;
D9/435, 436, 439, 440, 449, 443, 450
CPC A47G 19/22; A47G 19/2211; A47G
19/2222; A47G 19/2205; A45F 3/16;
B65D 41/04; A47J 41/0088; A47J 41/028
See application file for complete search history.

(57) **CLAIM**

We claim the ornamental design for a bottle lid, as shown and described.

DESCRIPTION

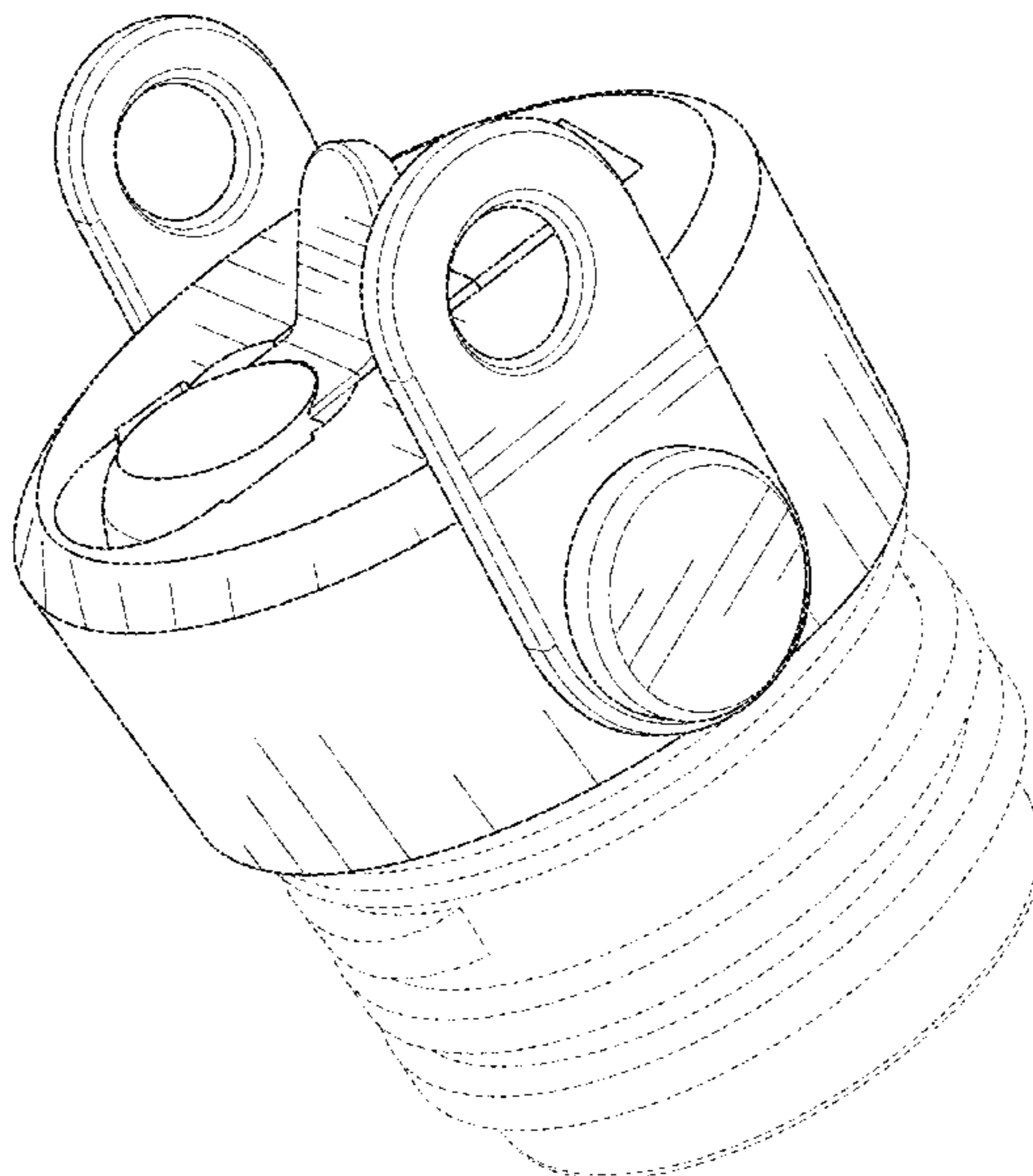
(56) **References Cited**

U.S. PATENT DOCUMENTS

D573,017 S * 7/2008 Henderson D9/436
D624,356 S * 9/2010 Davies D7/392.1
D644,062 S * 8/2011 Lorenz D7/396.2
D731,240 S * 6/2015 Bell D7/392.1
D731,241 S * 6/2015 Yessin D7/392.1
D735,528 S * 8/2015 Hubert D7/400
D740,073 S * 10/2015 Zorovich D7/531
D750,934 S * 3/2016 Kemker D7/391
D757,542 S * 5/2016 Prum D9/447
D781,101 S * 3/2017 Barber D7/391

FIG. 1 is a top, front, left side perspective view of a bottle lid, showing our new design;
FIG. 2 is a front elevation view thereof;
FIG. 3 is a rear elevation view thereof;
FIG. 4 is a left side elevation view thereof;
FIG. 5 is a right side elevation view thereof;
FIG. 6 is a top plan view thereof;
FIG. 7 is a bottom plan view thereof; and,
FIG. 8 is an environmental top front perspective view thereof.

1 Claim, 8 Drawing Sheets



(56)

References Cited

U.S. PATENT DOCUMENTS

2012/0247998 A1* 10/2012 Wahl B65D 1/265
206/459.5
2017/0055743 A1* 3/2017 Jorge A47G 21/18
2017/0251850 A1* 9/2017 Coon A47G 19/2266

OTHER PUBLICATIONS

BUZIO Insulated Water Bottle with Straw Lid and Flex Cap More
information: https://www.amazon.com/dp/B07R3HYDVW/ref=cm_sw_em_r_mt_dp_9E7XK3992N7R0KG0A097 (Year: 2019).*

* cited by examiner

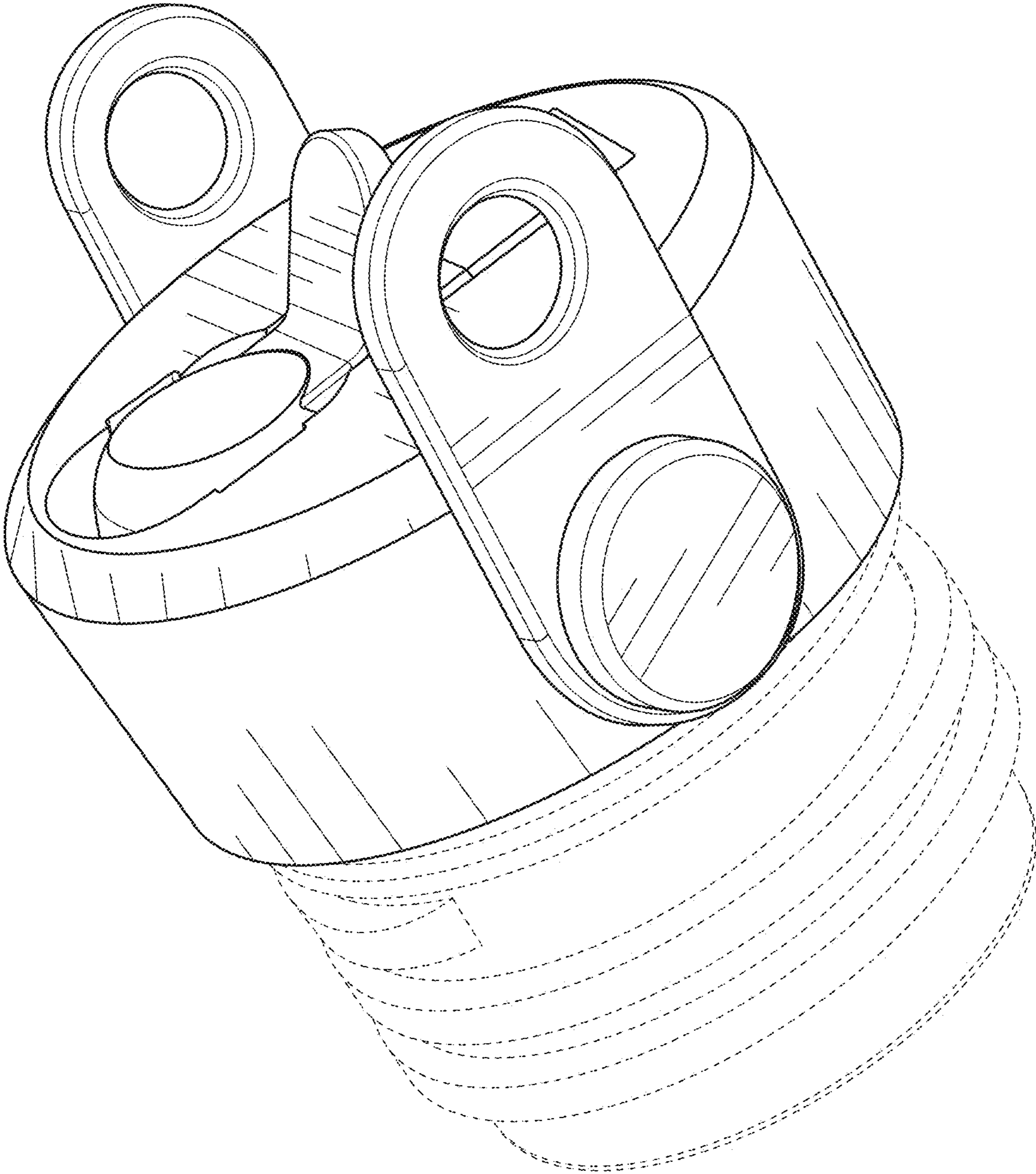


FIG. 1

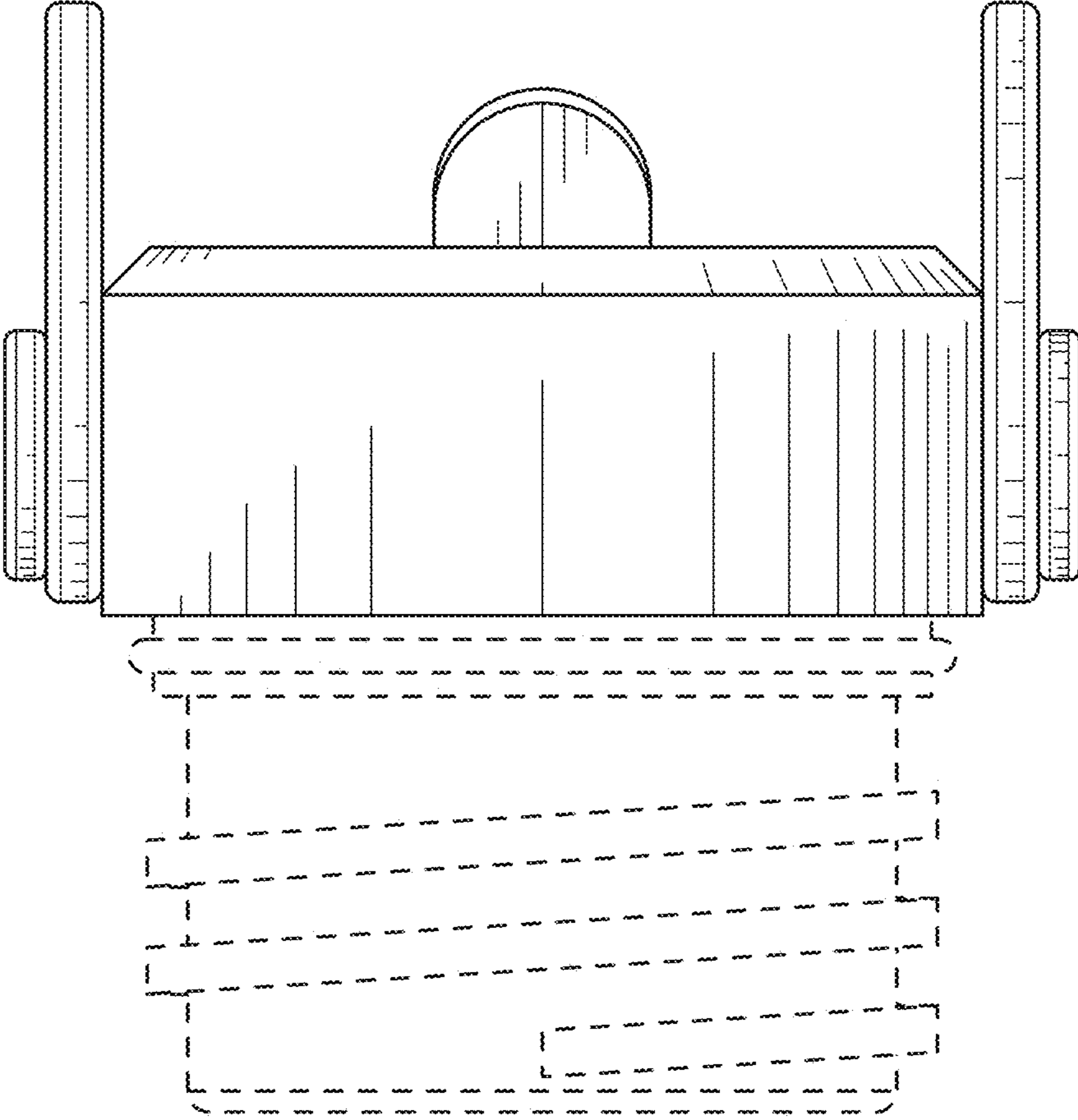


FIG. 2

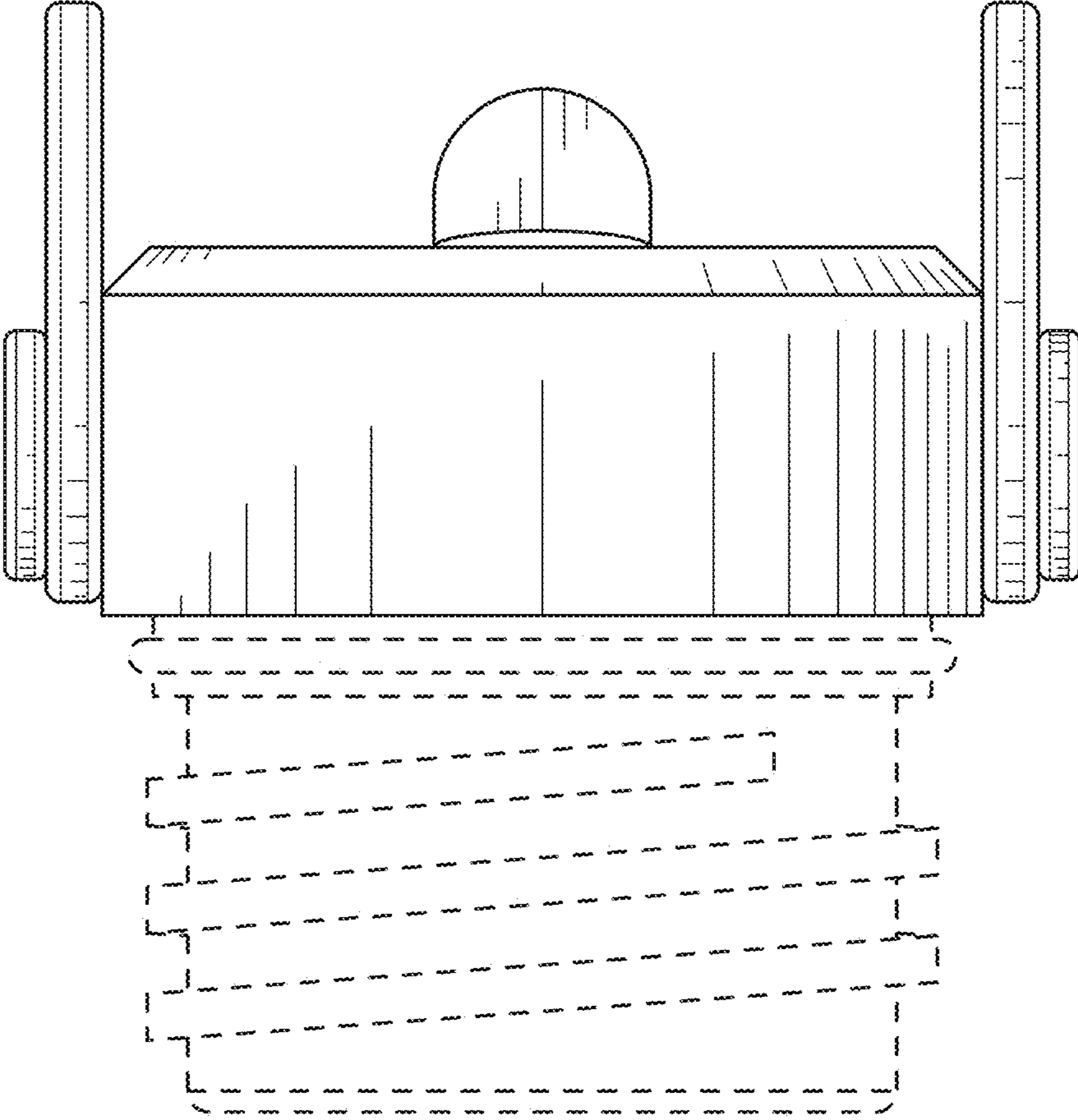


FIG. 3

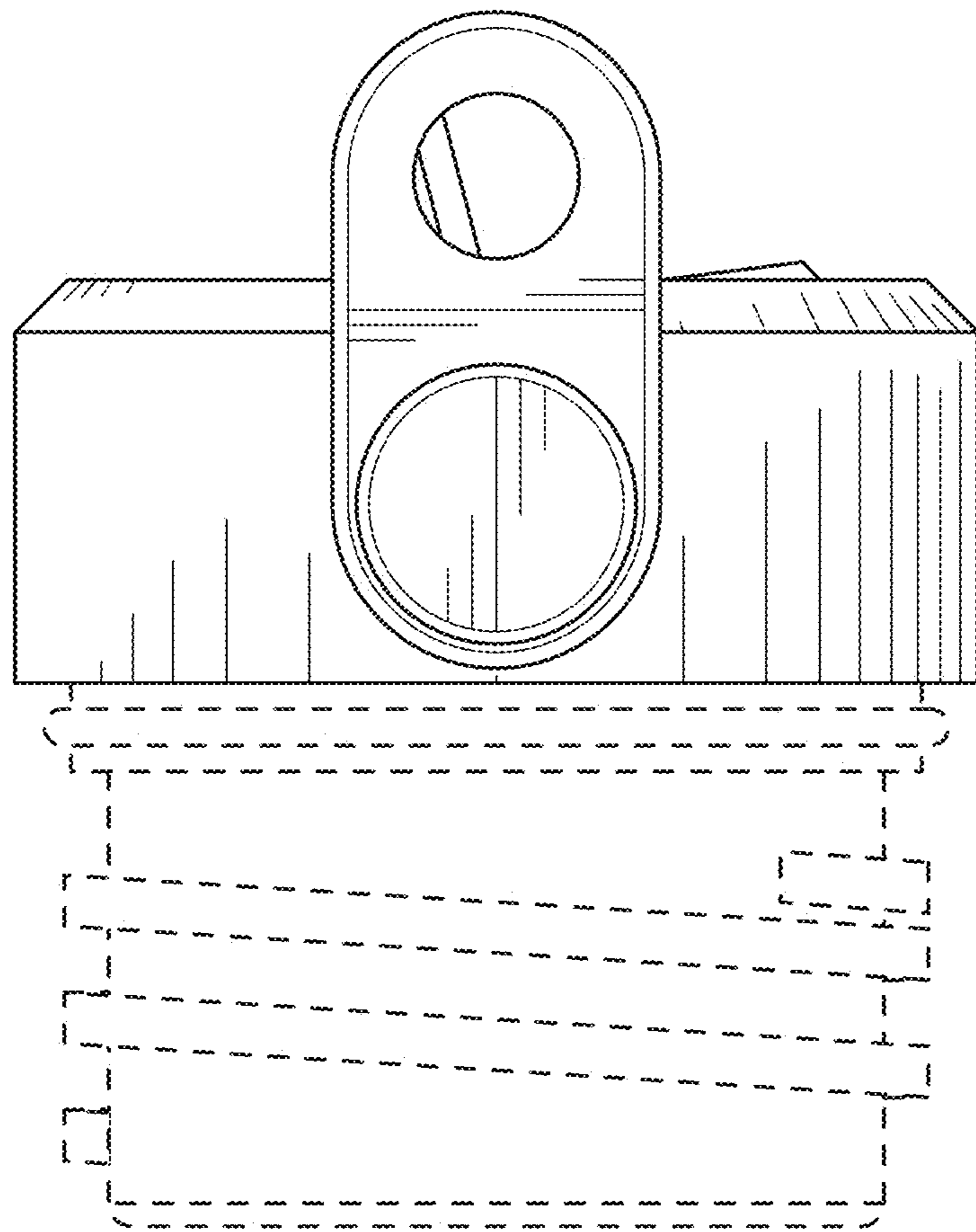


FIG. 4

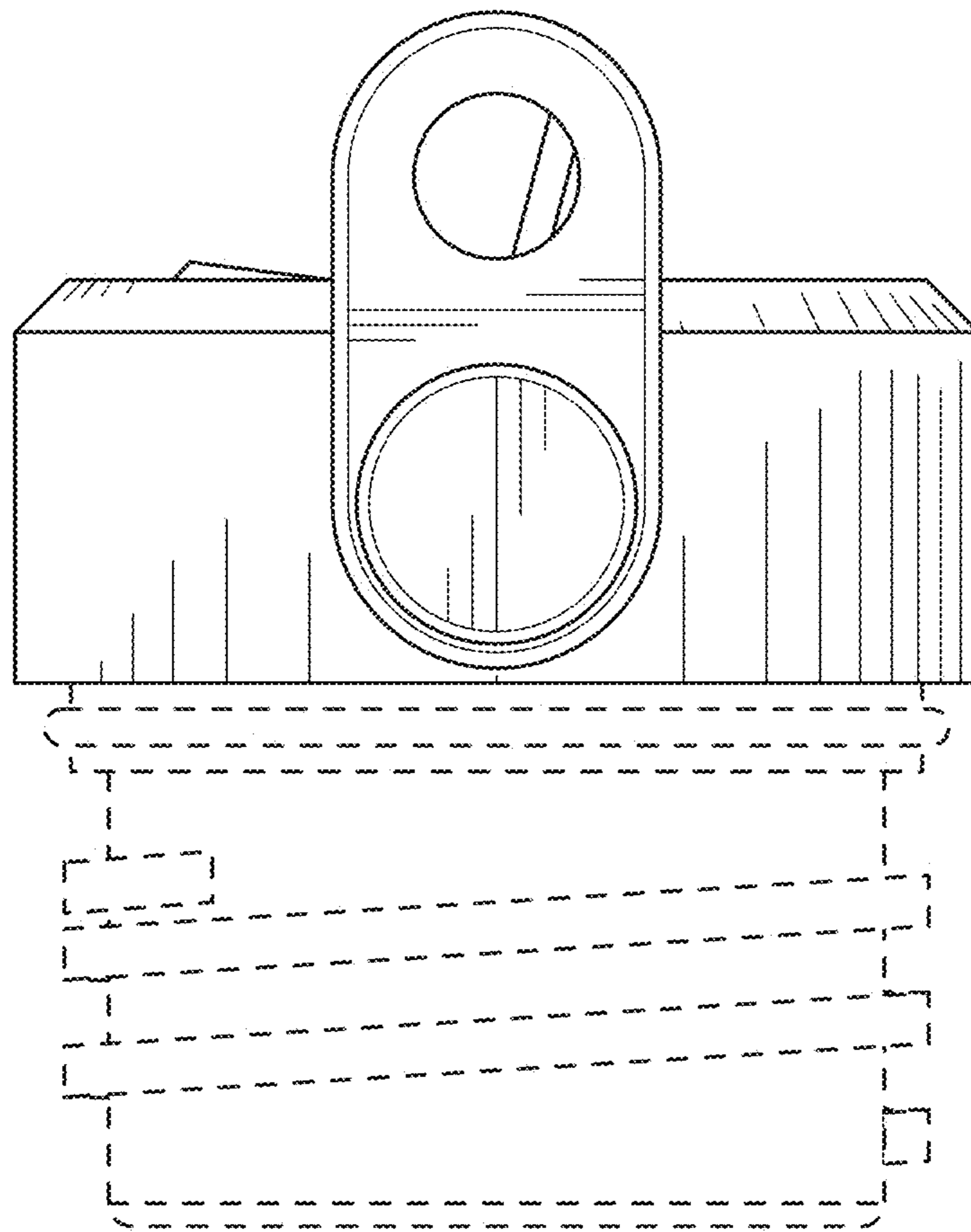


FIG. 5

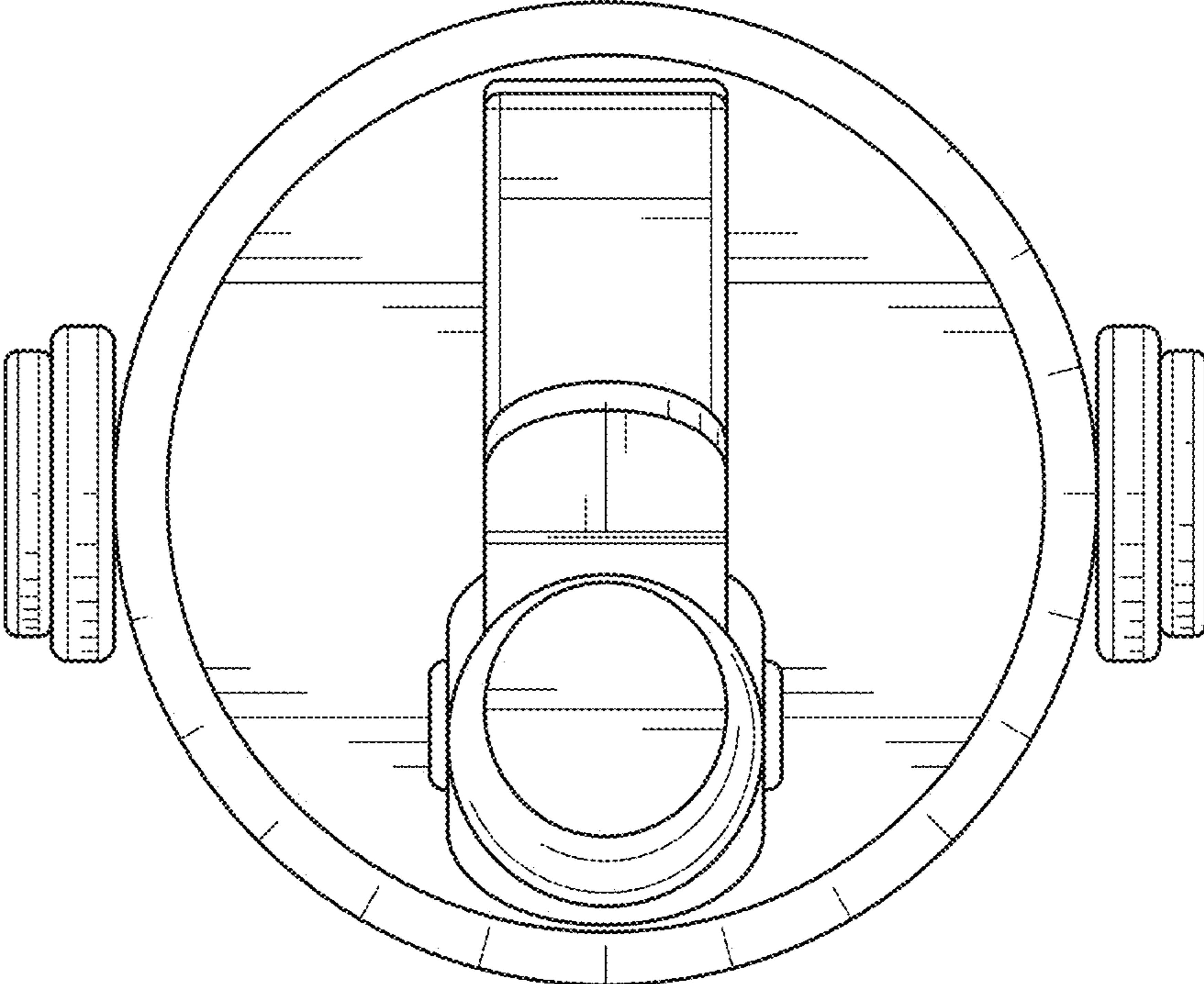


FIG. 6

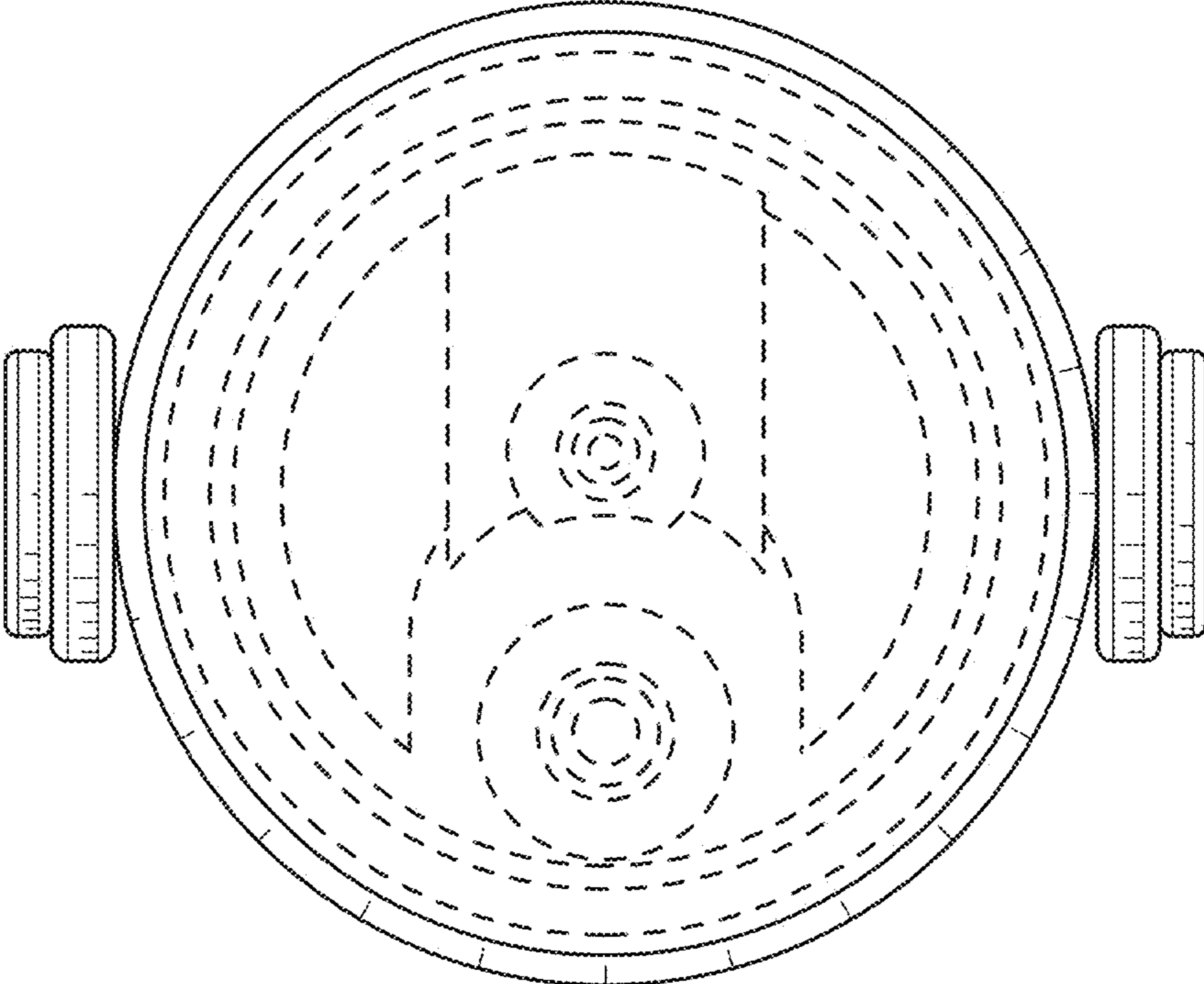


FIG. 7

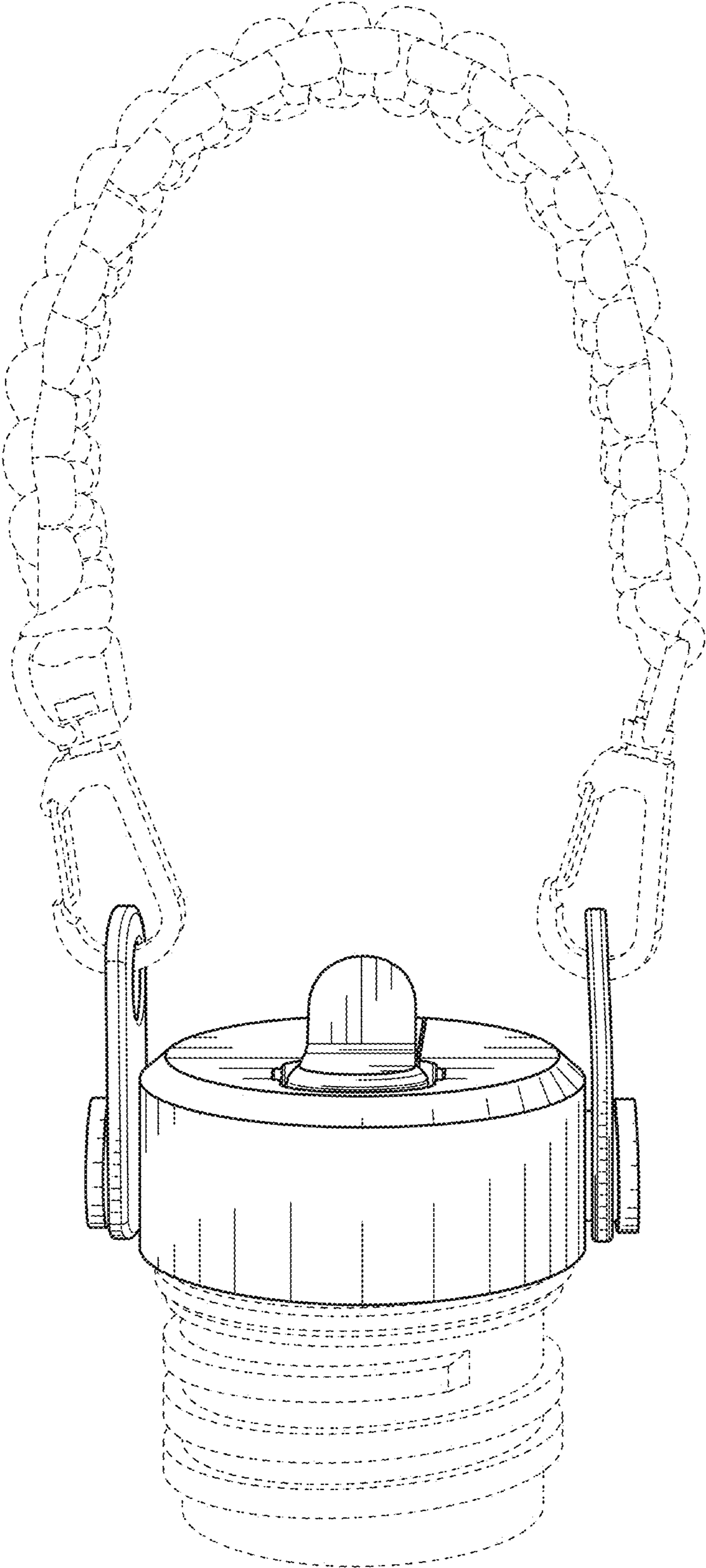


FIG. 8