



US00D951698S

(12) **United States Design Patent**
Dean et al.

(10) **Patent No.:** **US D951,698 S**

(45) **Date of Patent:** **** May 17, 2022**

(54) **LID**

(71) Applicant: **The Coleman Company, Inc.**, Wichita, KS (US)

(72) Inventors: **Matthew Brian Dean**, Parchment, MI (US); **Sean Thomas Eurich**, Portage, MI (US)

(73) Assignee: **The Coleman Company, Inc.**, Wichita, KS (US)

(**) Term: **15 Years**

(21) Appl. No.: **29/708,614**

(22) Filed: **Oct. 8, 2019**

(51) **LOC (13) Cl.** **07-99**

(52) **U.S. Cl.**

USPC **D7/392.1**; D9/435

(58) **Field of Classification Search**

USPC D7/392, 392.1, 509, 510, 534; D9/435, D9/447, 449

CPC A47G 19/2272; A47G 19/22; B65D 43/02; B65D 47/08

See application file for complete search history.

(56) **References Cited**

U.S. PATENT DOCUMENTS

D485,759 S * 1/2004 Janky D7/392.1
D550,507 S * 9/2007 Picozza D7/413
D677,119 S * 3/2013 Ying D7/392.1

D748,943 S * 2/2016 Miller D7/392.1
D770,222 S * 11/2016 Boroski D7/392.1
D780,517 S * 3/2017 Boroski D7/511
D788,583 S * 6/2017 Tu D9/449
D836,386 S * 12/2018 Ayriss B65D 47/0857
D7/392
D836,387 S * 12/2018 Silsby D7/392.1
D889,199 S * 7/2020 Shepard D7/396.2
D894,669 S * 9/2020 Lane D7/392
D896,024 S * 9/2020 Wang D7/392.1

* cited by examiner

Primary Examiner — S. Bryan Reinholdt, Jr.

(74) *Attorney, Agent, or Firm* — Husch Blackwell LLP

(57) **CLAIM**

We claim the ornamental design for a lid, as shown and described.

DESCRIPTION

FIG. 1 is a front perspective view of a lid according to our new design, shown in a closed configuration;
FIG. 2 is a rear perspective view thereof;
FIG. 3 is a top plan view thereof;
FIG. 4 is a front elevation view thereof;
FIG. 5 is a right side elevation view thereof;
FIG. 6 is a rear elevation view thereof;
FIG. 7 is a left side elevation view thereof; and,
FIG. 8 is a front perspective view of a lid, shown in an open configuration.

The broken lines in FIGS. 2 and 6 depict the boundaries of the claim that form no part thereof.

1 Claim, 7 Drawing Sheets

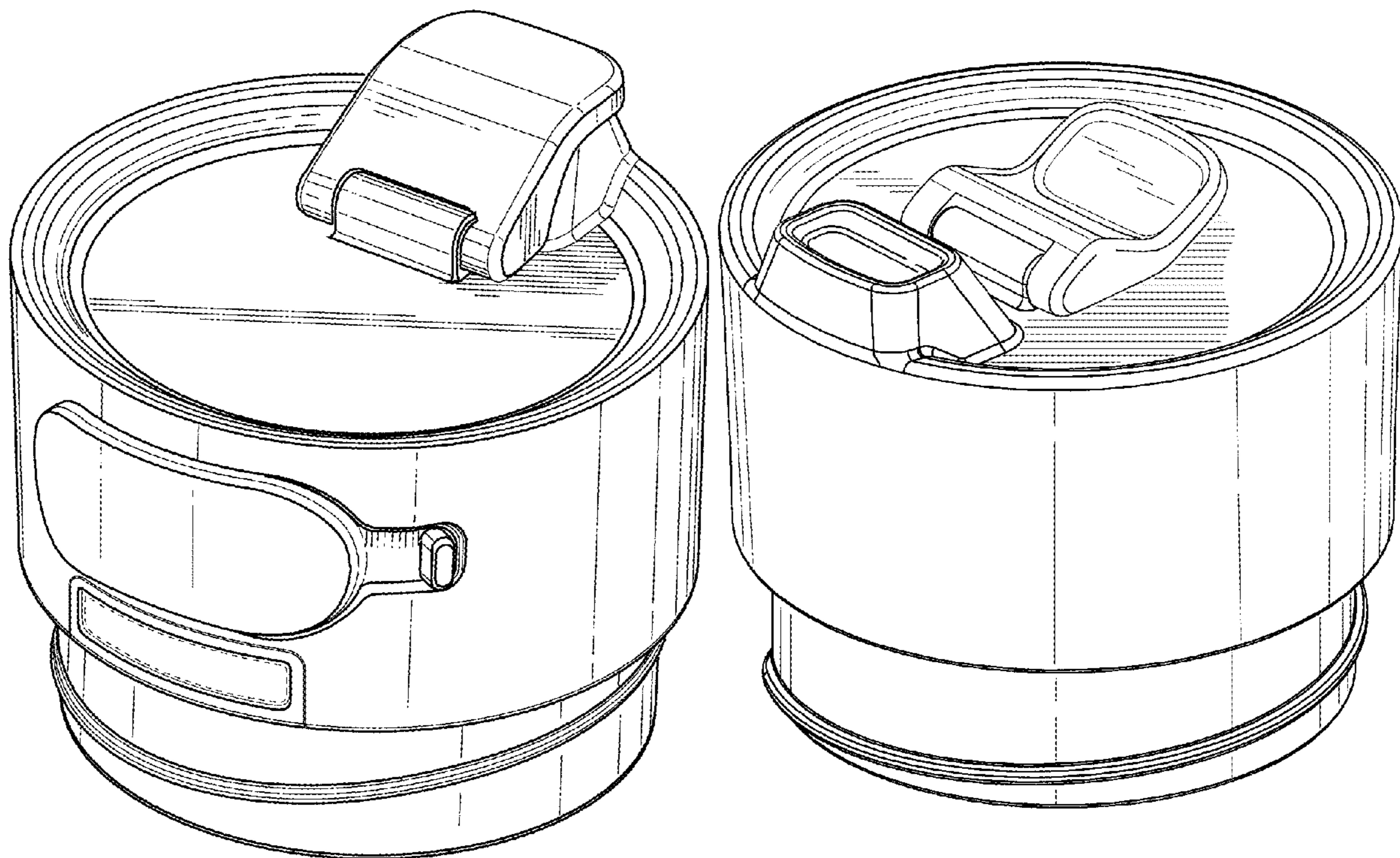


FIG. 1

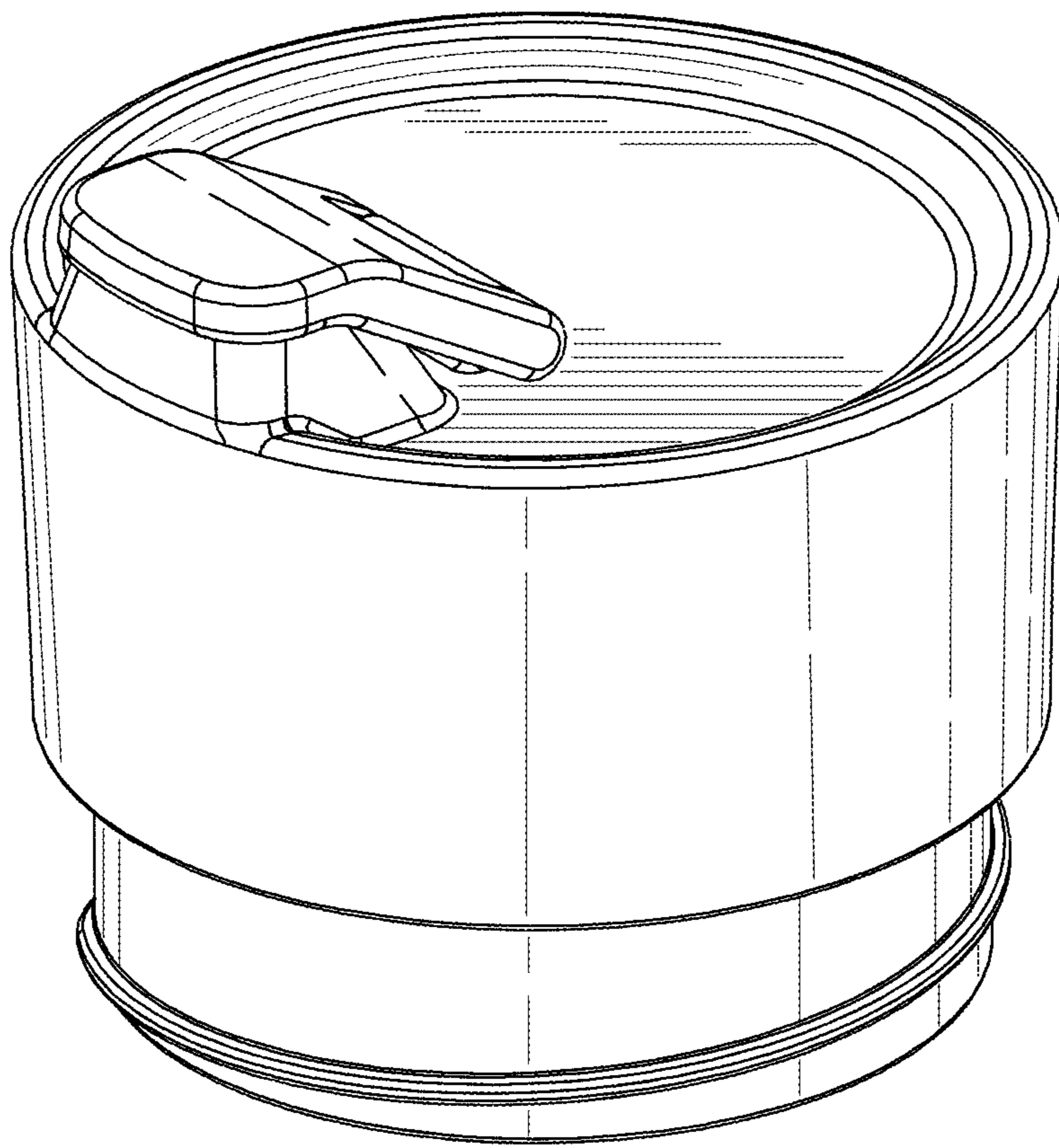


FIG. 2

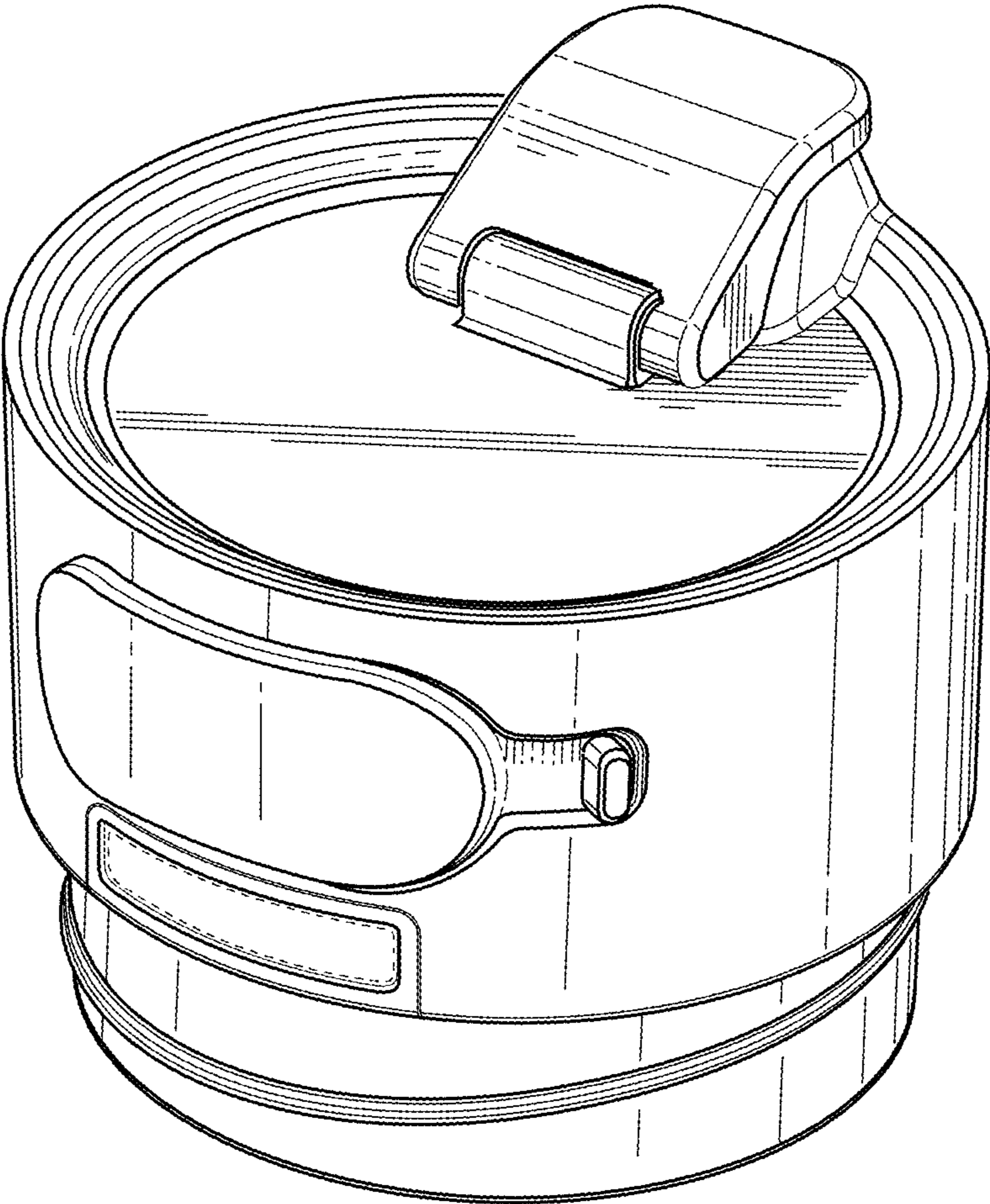


FIG. 3

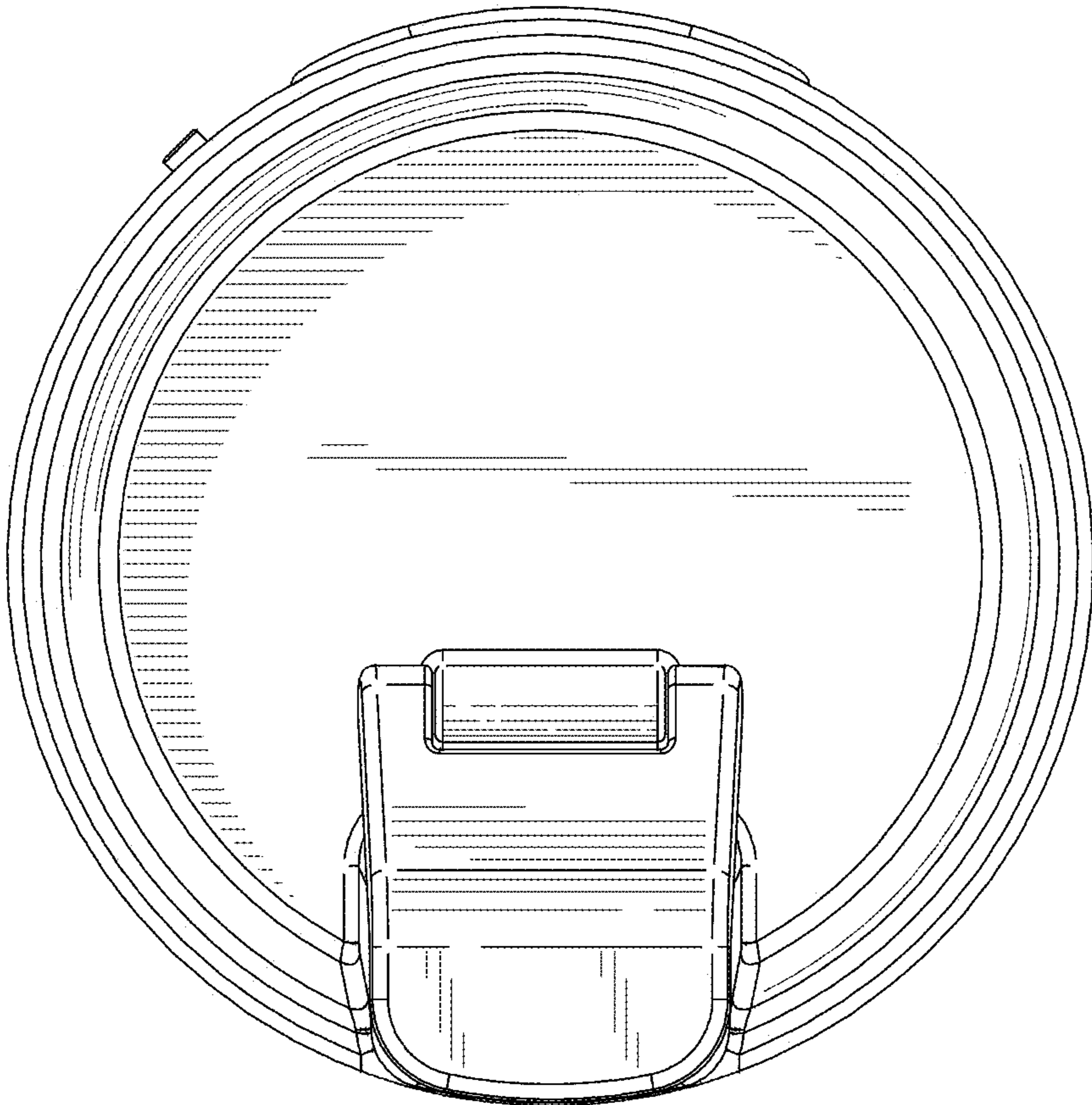


FIG. 4

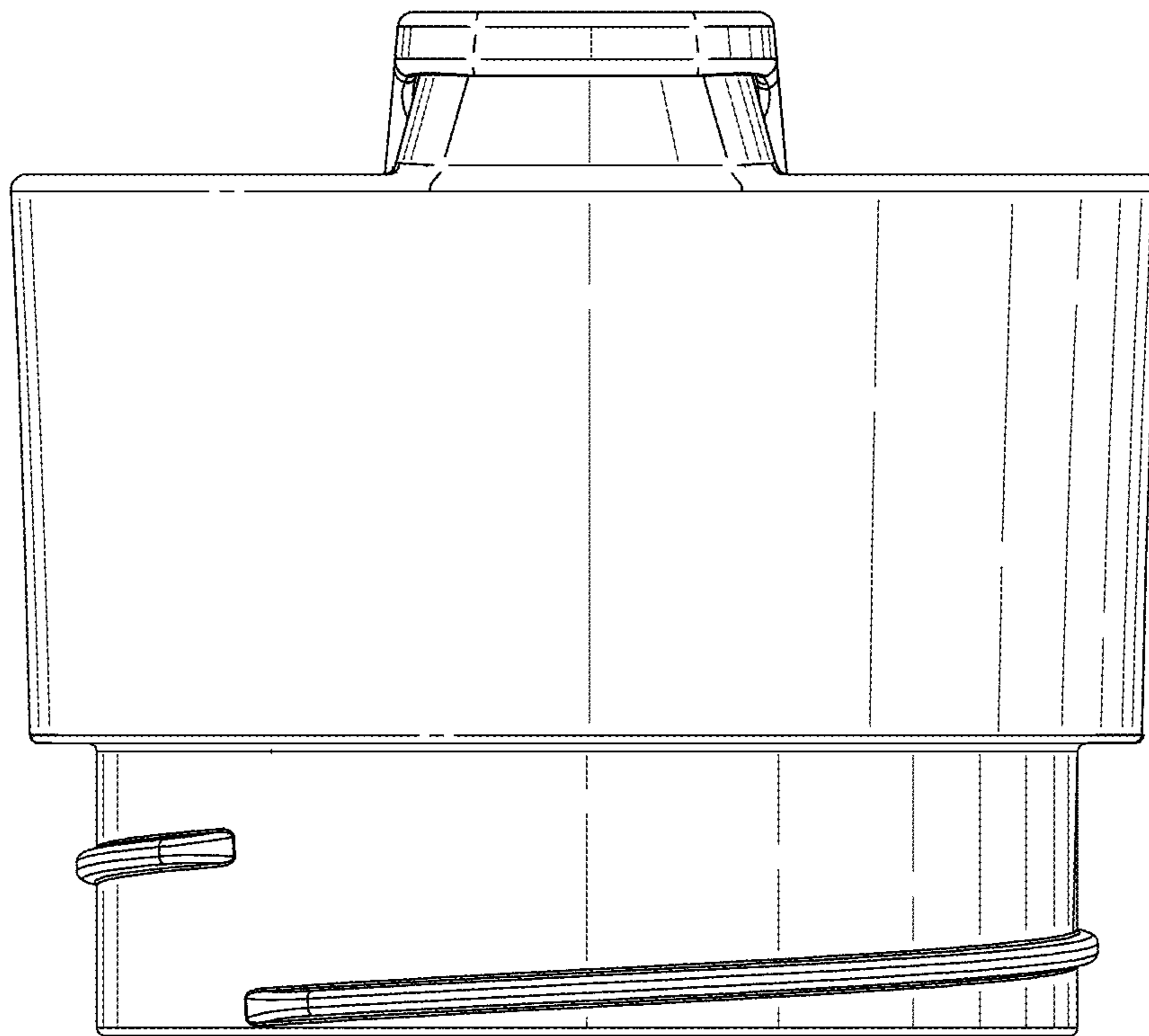


FIG. 5

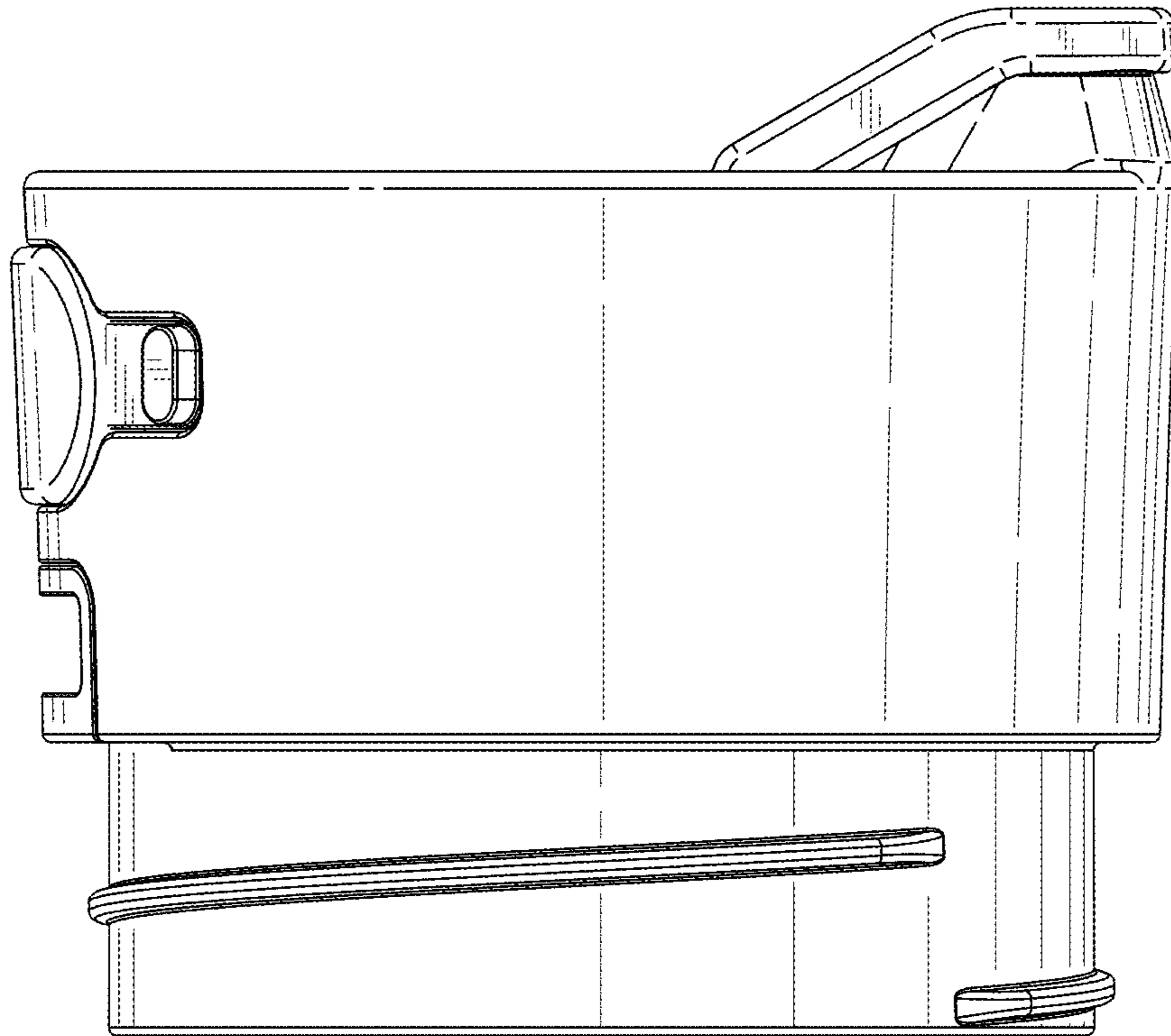


FIG. 6

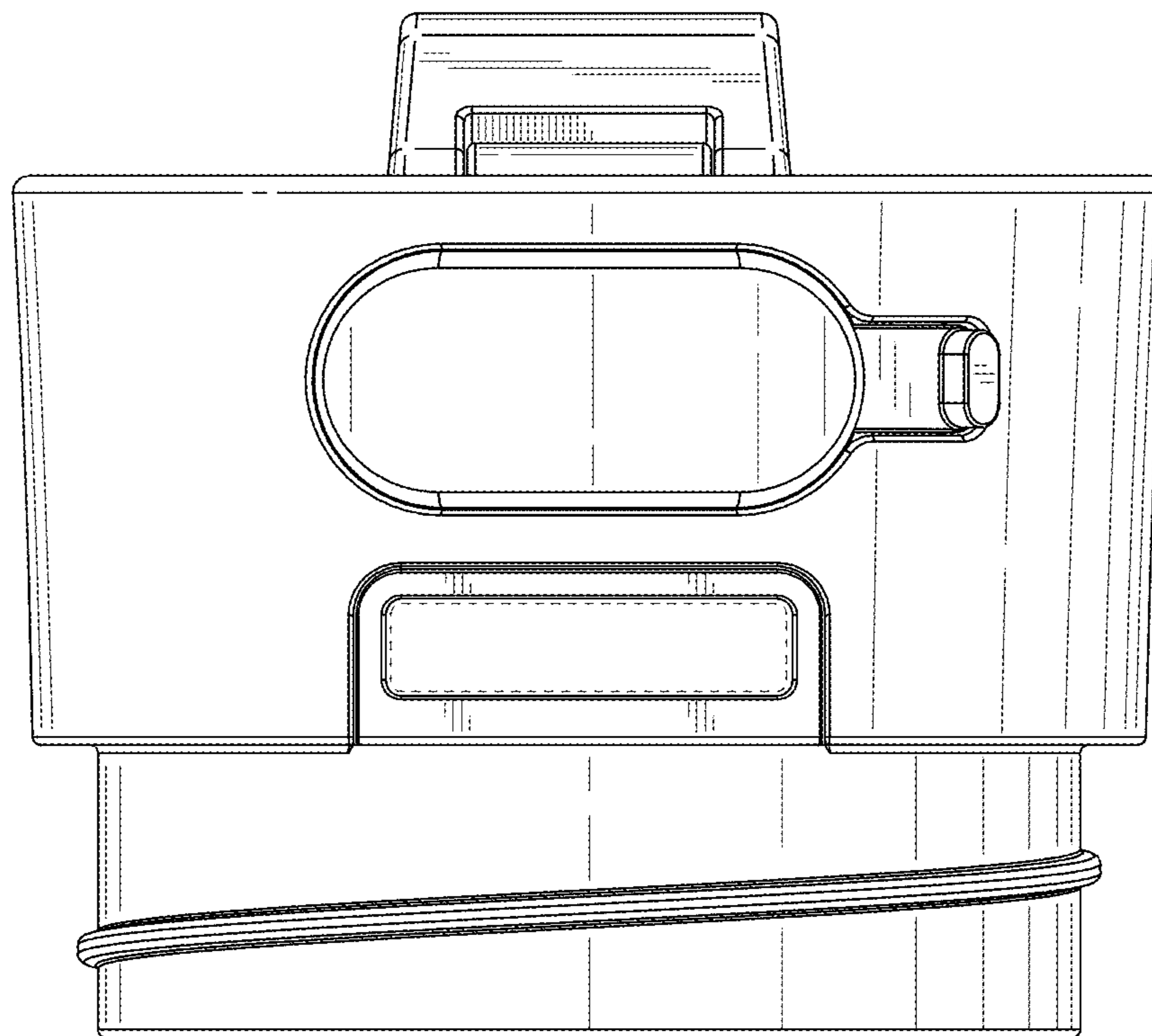


FIG. 7

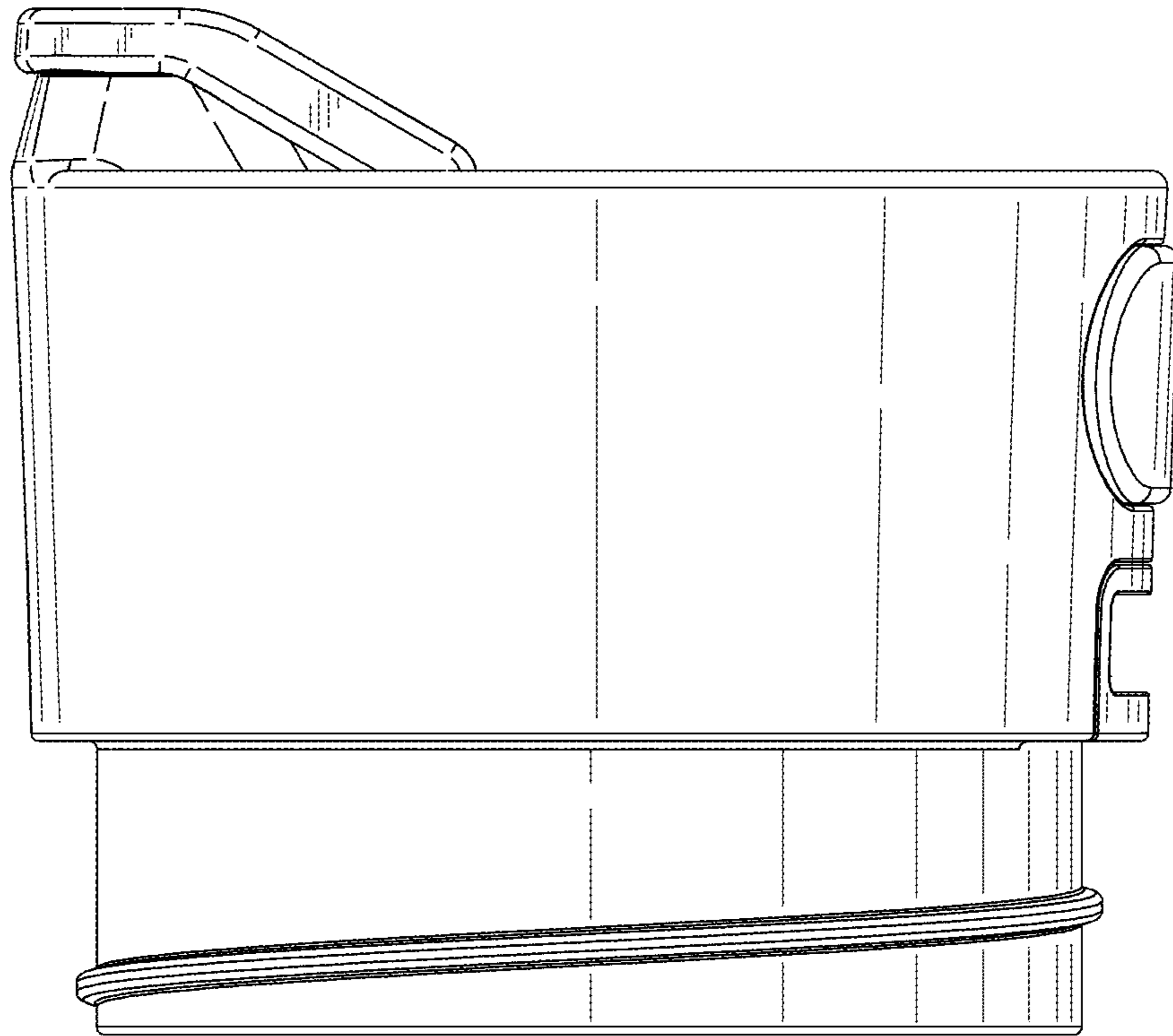


FIG. 8

