



US00D951695S

(12) **United States Design Patent** (10) **Patent No.:** **US D951,695 S**
Quarless (45) **Date of Patent:** **** May 17, 2022**

(54) **EGG APPARATUS**

(56) **References Cited**

(71) Applicant: **Paragon Products LTD.**, Kowloon (HK)

U.S. PATENT DOCUMENTS

(72) Inventor: **William Quarless**, Kowloon (HK)

D276,705 S *	12/1984	Oliveri	D10/40
D280,062 S *	8/1985	Cesaroni	D7/325
D281,137 S *	10/1985	Cesaroni	D7/325
D317,548 S *	6/1991	Yeh	D7/354
D363,140 S *	10/1995	Accumanno	D28/38
D521,796 S *	5/2006	Bertulis	D7/325
D567,014 S *	4/2008	Silver	D7/354
D609,523 S *	2/2010	Mai	D7/354
D638,475 S *	5/2011	Hung	D19/85
D722,465 S *	2/2015	Berge	D7/325
D777,979 S *	1/2017	Lozano	D28/38
D812,406 S *	3/2018	Schantz	D7/325
D884,411 S *	5/2020	Dash	D7/357

(**) Term: **15 Years**

(21) Appl. No.: **29/766,503**

(22) Filed: **Jan. 15, 2021**

Related U.S. Application Data

(63) Continuation of application No. 17/099,315, filed on Nov. 16, 2020.

(51) **LOC (13) Cl.** **07-02**

(52) **U.S. Cl.**
USPC **D7/354**

(58) **Field of Classification Search**
USPC D7/323, 325, 354-363, 391, 393-396, D7/409; D10/40; D19/85; D28/38
CPC A47G 19/12; A47J 27/00; A47J 27/002; A47J 27/08; A47J 27/21; A47J 27/58; A47J 36/025; A47J 36/06; A47J 36/12; A47J 37/00; A47J 37/10; A47J 37/101; A47J 37/103; A47J 37/12; A47J 37/1204; A47J 45/061; A47J 45/071; A47J 45/08; H05B 6/12

See application file for complete search history.

* cited by examiner

Primary Examiner — Ricky Pham

(74) *Attorney, Agent, or Firm* — Dan Delarosa

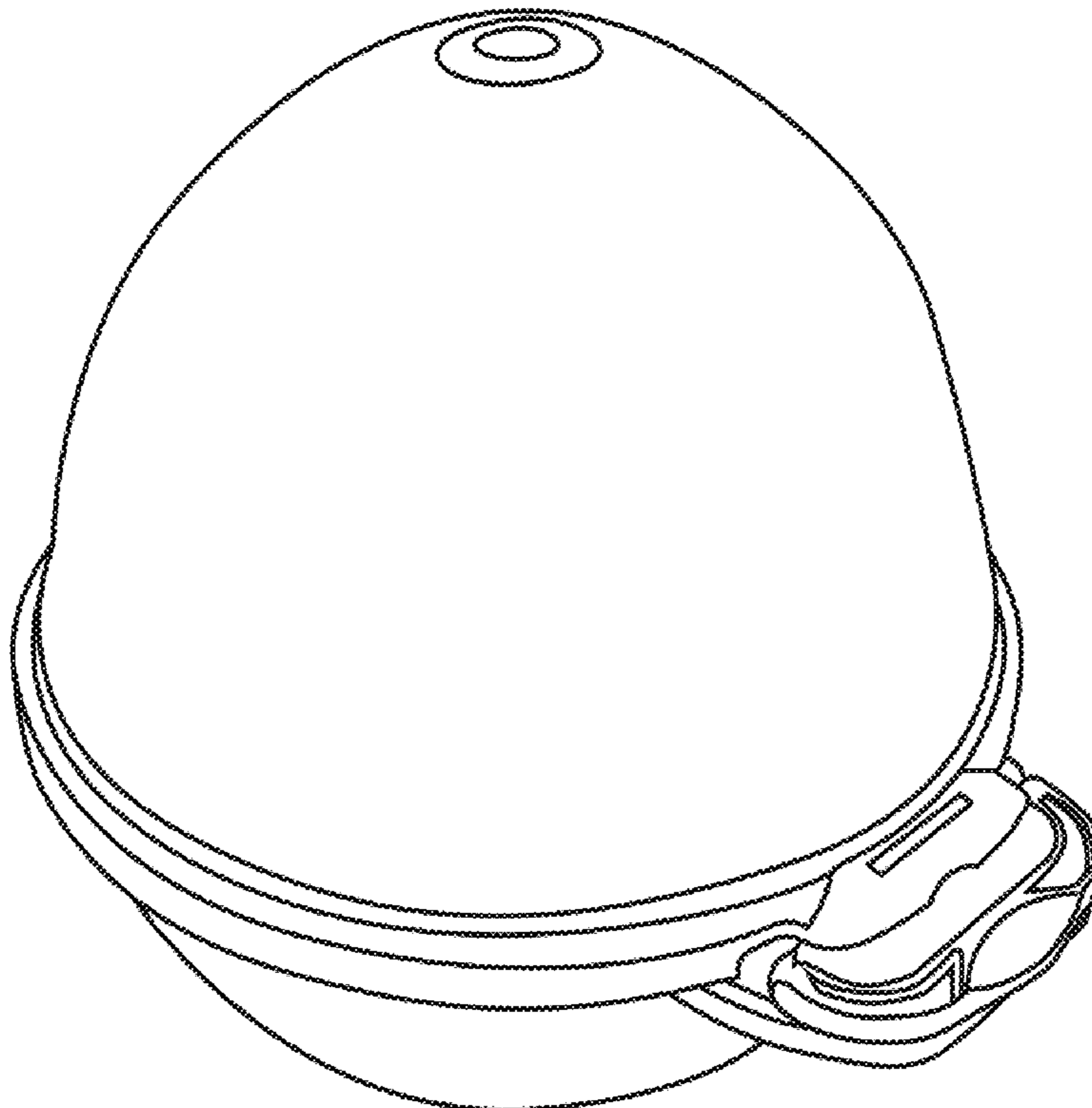
(57) **CLAIM**

The ornamental design for an egg apparatus, as shown and described.

DESCRIPTION

FIG. 1 is a perspective view of the egg apparatus of the present invention showing my new design;
FIG. 2 is a front view thereof;
FIG. 3 is a rear view thereof;
FIG. 4 is a side view thereof;
FIG. 5 is another side view thereof;
FIG. 6 is a bottom plan view thereof; and,
FIG. 7 is atop plan view thereof.

1 Claim, 7 Drawing Sheets



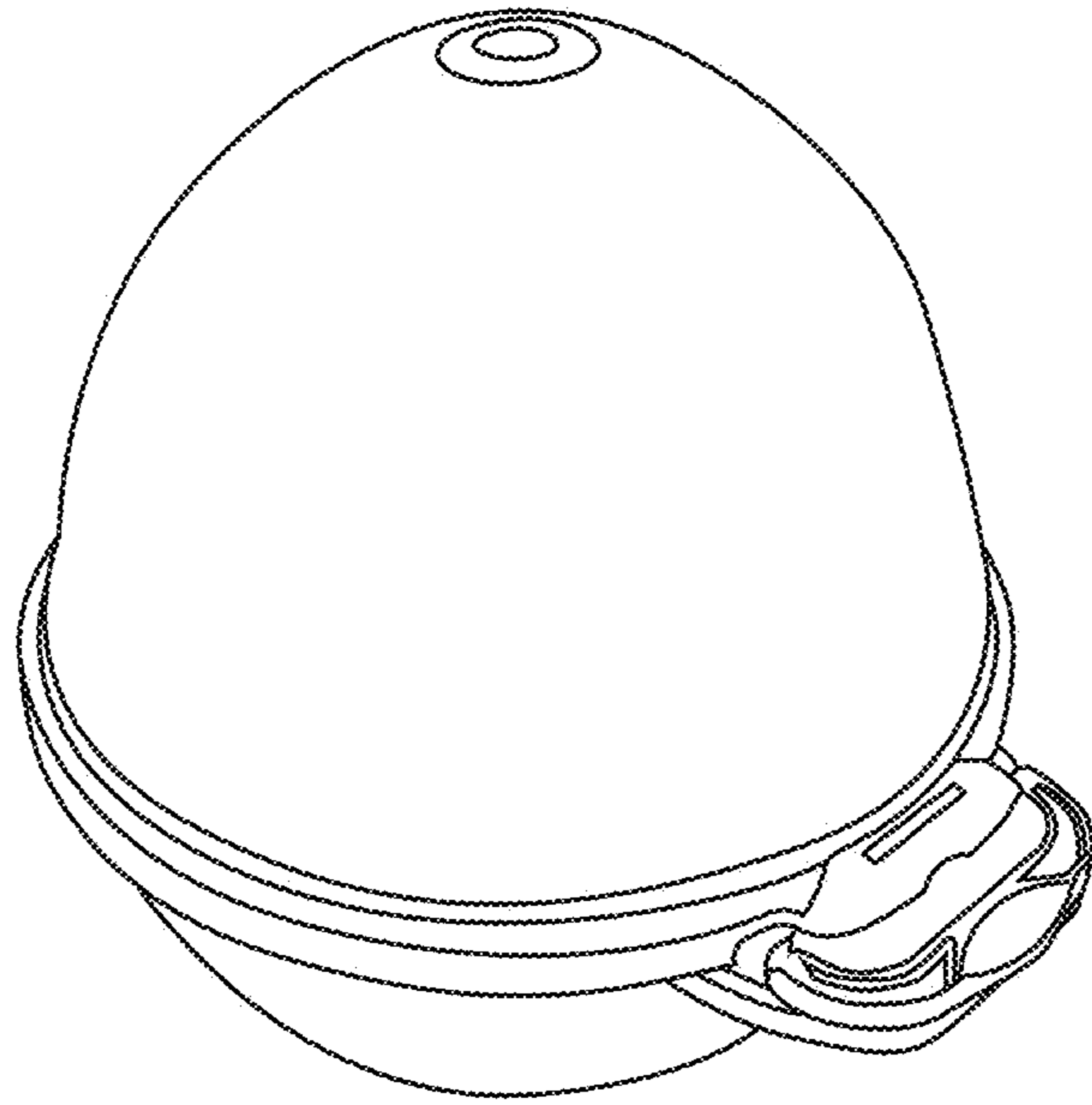


FIG. 1

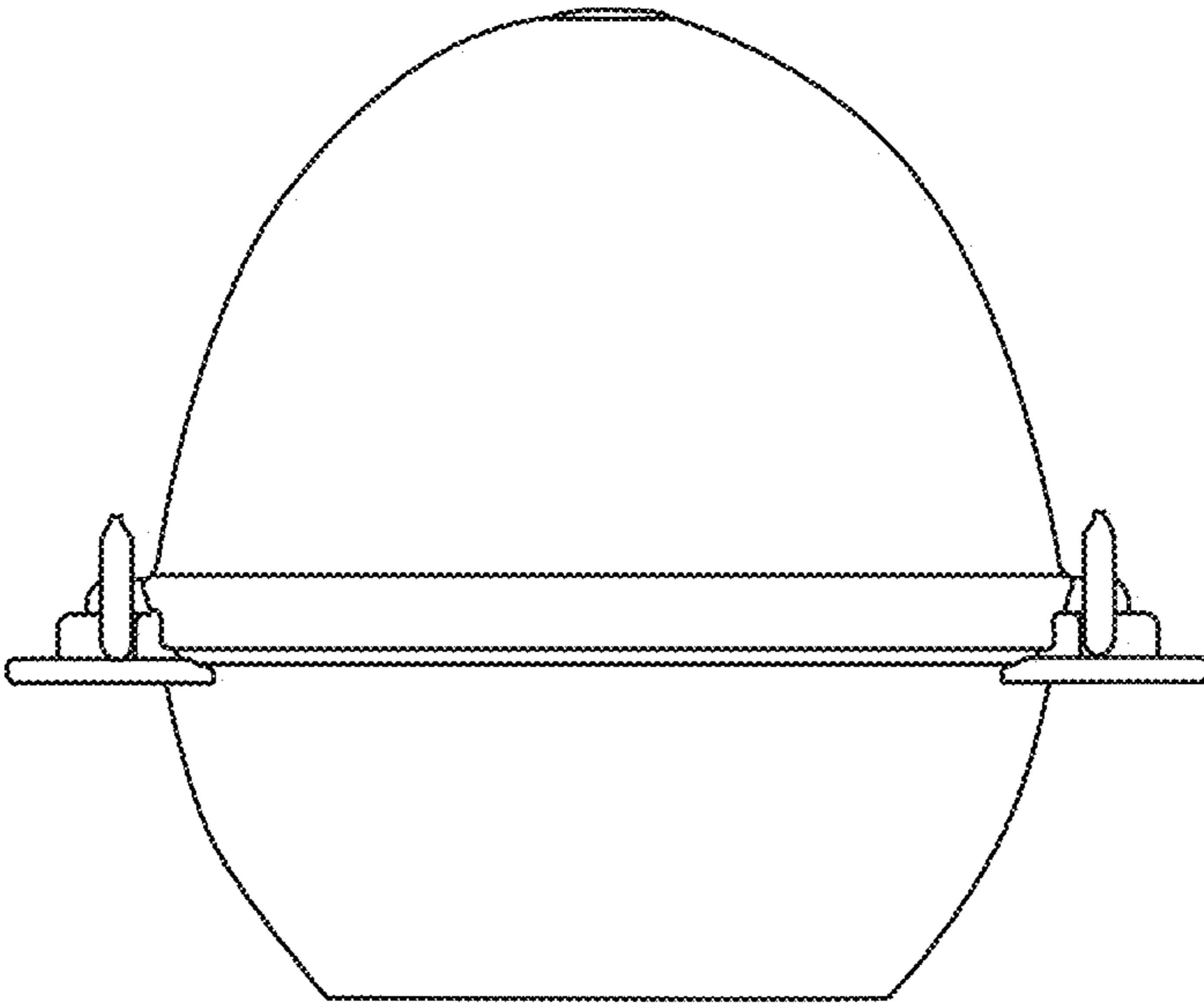


FIG. 2

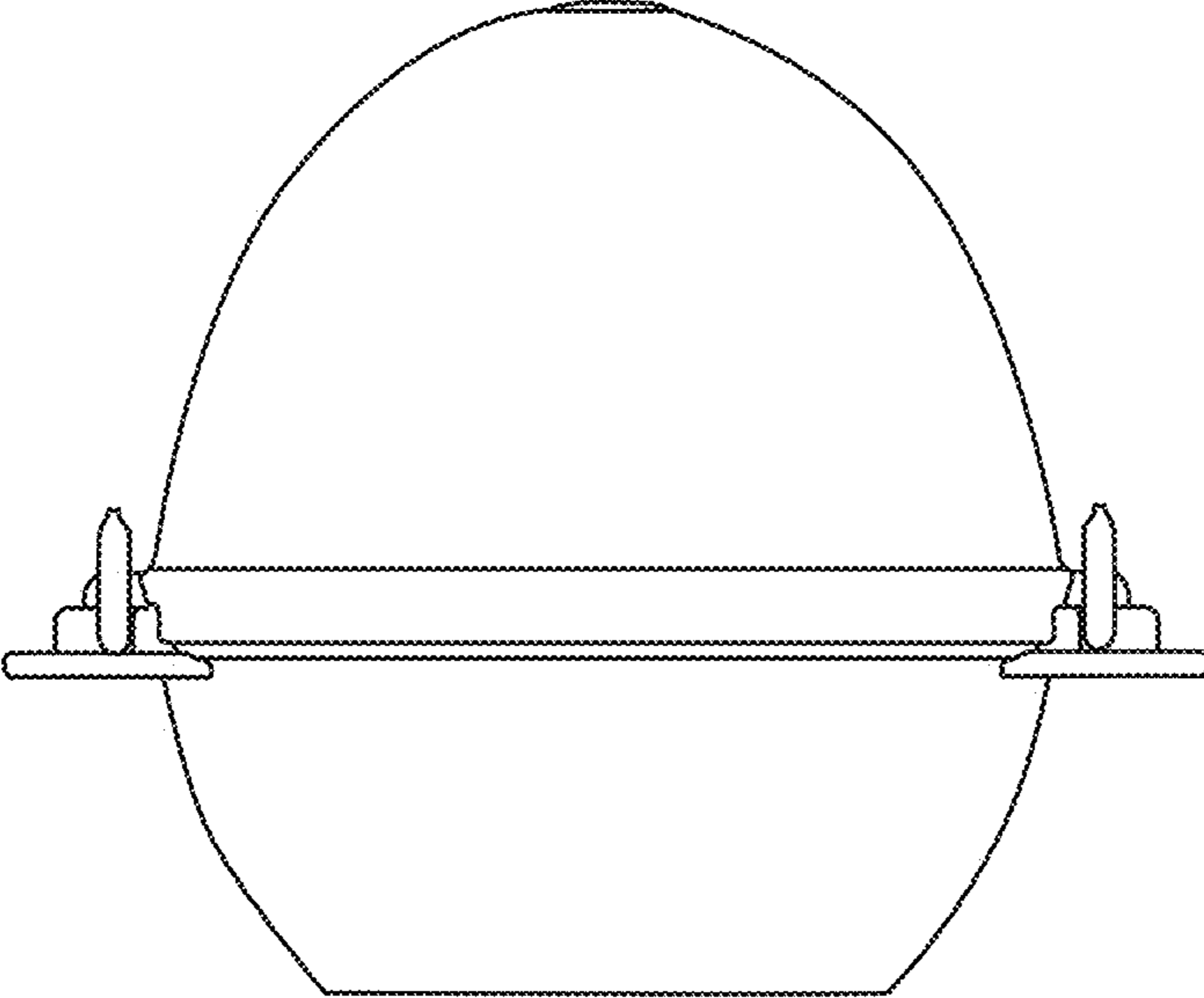


FIG. 3

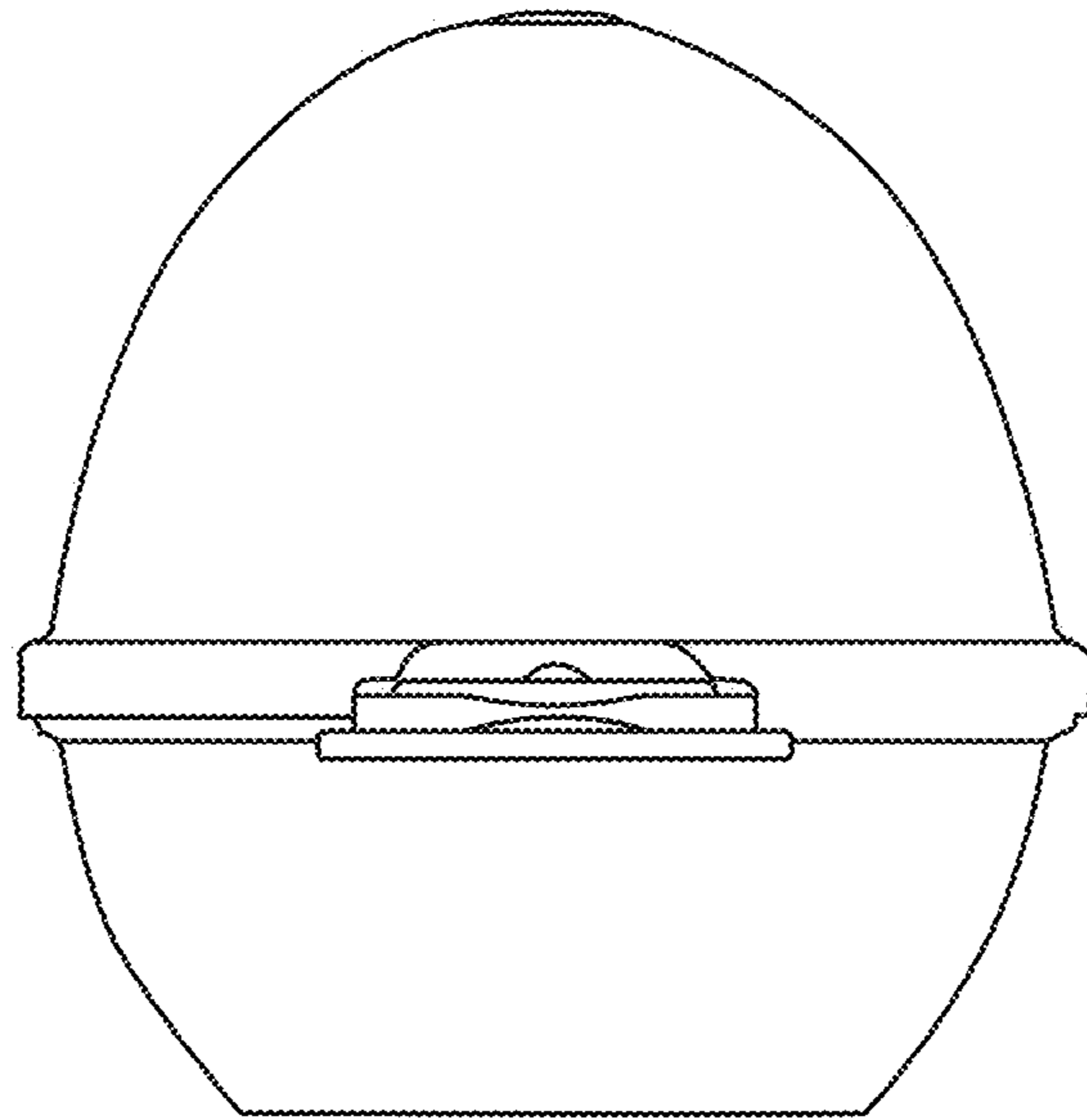


FIG. 4

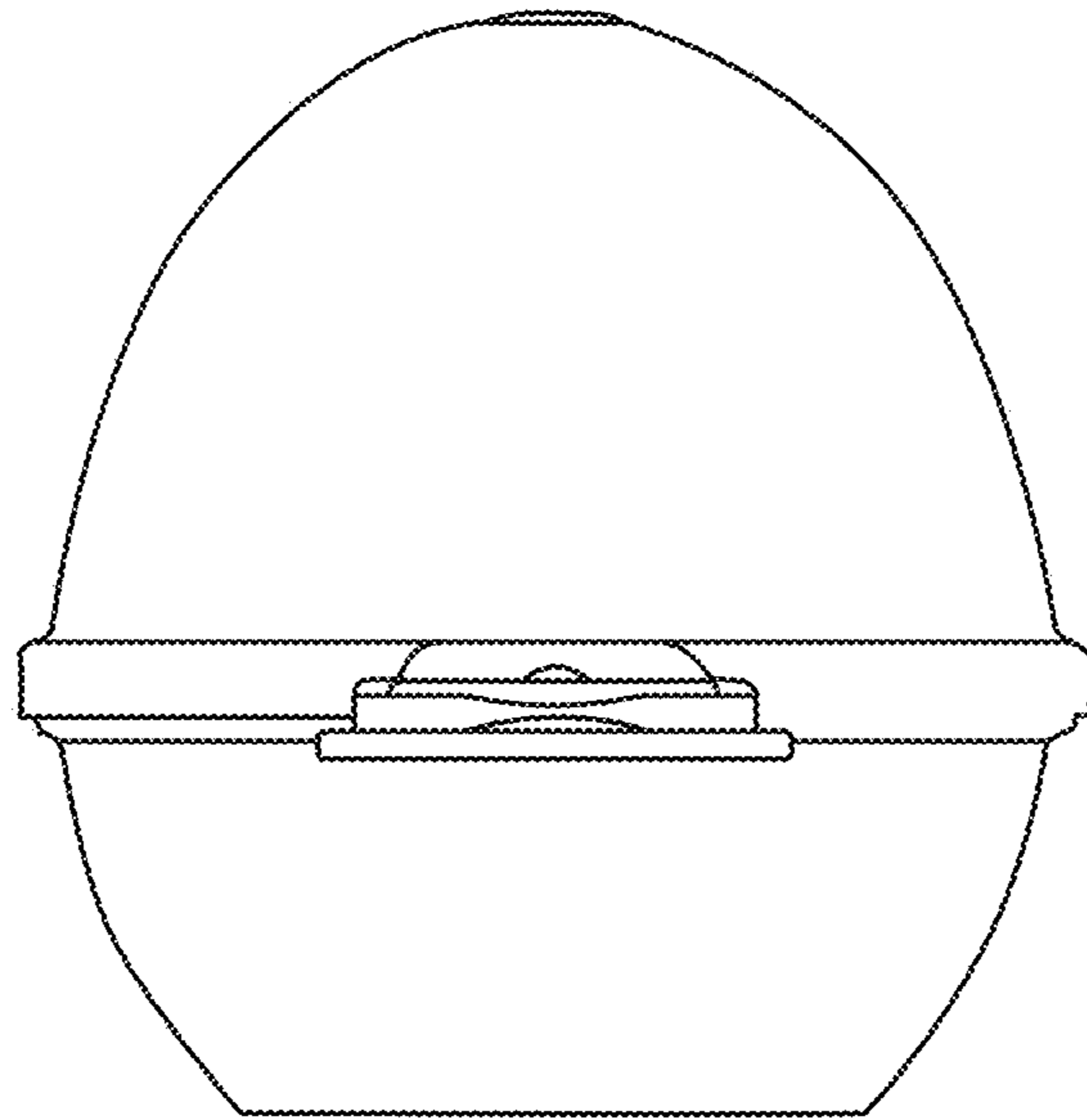


FIG. 5

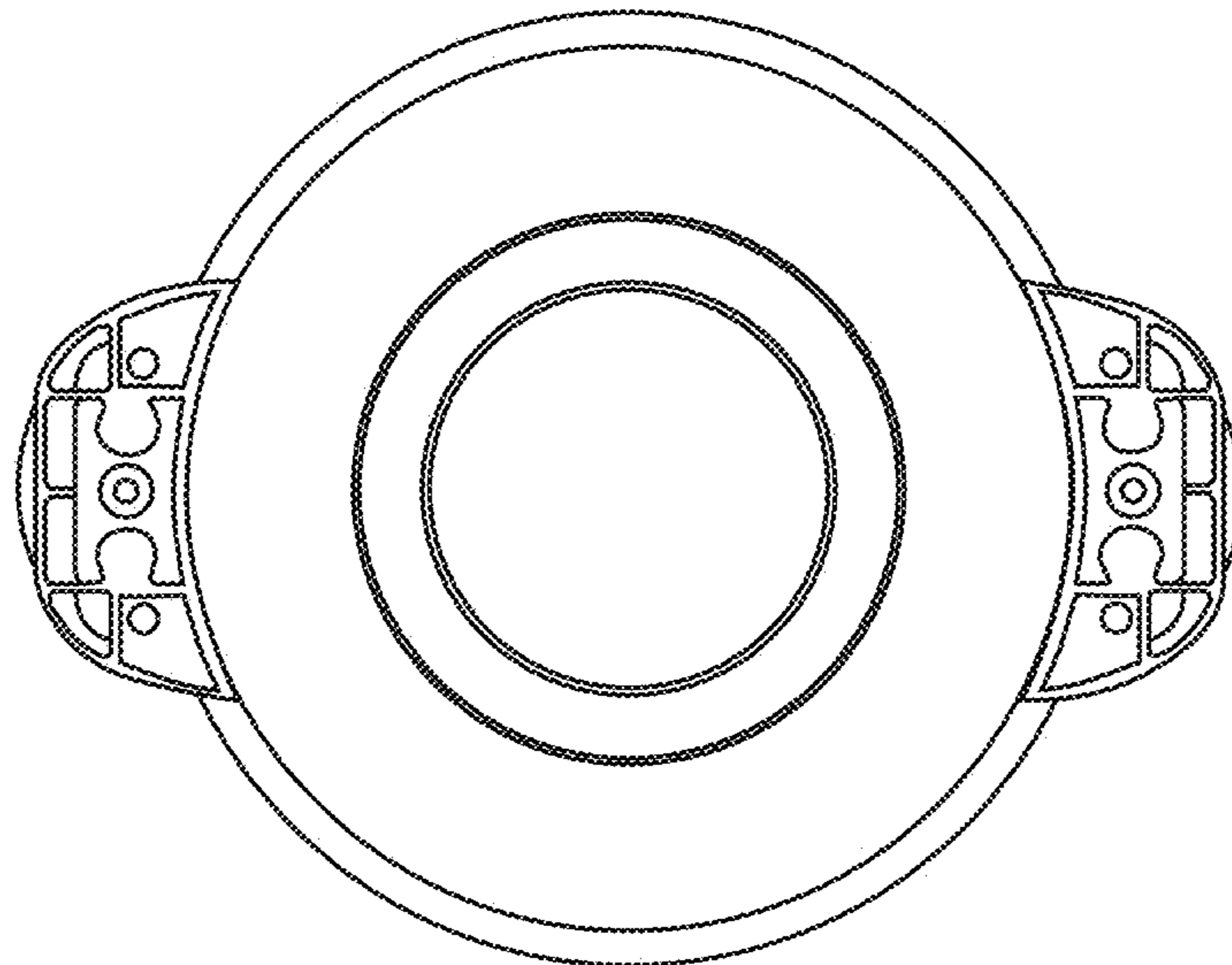


FIG. 6

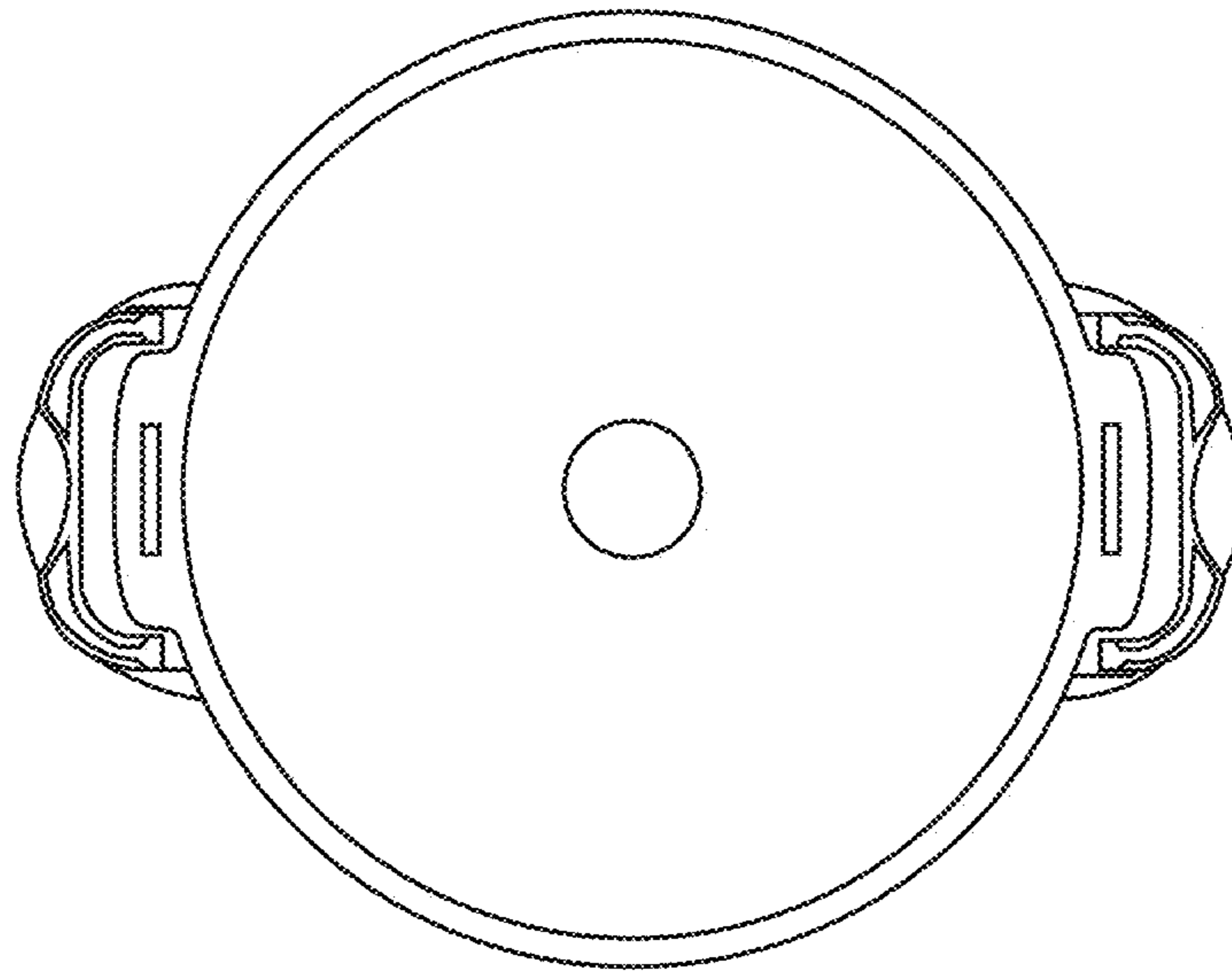


FIG. 7