



US00D951694S

(12) **United States Design Patent** (10) **Patent No.:** **US D951,694 S**
Ryu et al. (45) **Date of Patent:** **** May 17, 2022**

(54) **COFFEEPOT FOR A COOKING ROBOT**
 (71) Applicant: **LG ELECTRONICS INC.**, Seoul (KR)
 (72) Inventors: **Seukwoo Ryu**, Seoul (KR); **Taeyoung Choi**, Seoul (KR); **Jungbin Yim**, Seoul (KR); **Sunggil Park**, Seoul (KR); **Donghyeong Lee**, Seoul (KR); **Joon Heo**, Seoul (KR); **Seyul Son**, Seoul (KR); **Jonghun Park**, Seoul (KR); **Chulho Shin**, Seoul (KR); **Changwoo Son**, Seoul (KR)

(73) Assignee: **LG ELECTRONICS INC.**, Seoul (KR)

(**) Term: **15 Years**

(21) Appl. No.: **35/510,826**

(22) Filed: **May 21, 2020**

(80) **Hague Agreement Data**

Int. Filing Date: **May 21, 2020**

Int. Reg. No.: **DM/208470**

Int. Reg. Date: **May 21, 2020**

Int. Reg. Pub. Date: **Nov. 27, 2020**

(30) **Foreign Application Priority Data**

Dec. 9, 2019 (KR) 30-2019-0059366

(51) **LOC (13) Cl.** **07-02**

(52) **U.S. Cl.**
 USPC **D7/321**

(58) **Field of Classification Search**

USPC D7/300, 302, 316, 317, 318, 319, 350.1,
 D7/354, 608, 619.1, 622, 629, 321

CPC . A21B 2/00; A47J 43/27; A47G 19/22; H05B
 6/64

See application file for complete search history.

(56) **References Cited**

U.S. PATENT DOCUMENTS

D30,935 S * 6/1899 Ryan D7/321
 D266,018 S * 8/1982 Dilyard A47J 31/465
 D23/212
 D318,095 S * 7/1991 Hankammer A47J 27/21191
 D23/212
 D320,431 S * 10/1991 Mattei D23/212
 D325,768 S * 4/1992 Hankammer D23/212
 D683,584 S * 6/2013 Gross D7/397
 9,943,185 B2 * 4/2018 Chen A47J 27/21191
 D828,070 S * 9/2018 Wastney D7/321
 D861,408 S * 10/2019 Hagger D7/312

(Continued)

OTHER PUBLICATIONS

Electric Kettle, Oct. 20, 2020 found on Nov. 5, 2021 at [https://www.amazon.com/dp/B08LGF29S7/ref=sspa_dk_detail_\(Year:2020\)*](https://www.amazon.com/dp/B08LGF29S7/ref=sspa_dk_detail_(Year:2020)*)
 Fellow Stagg, 2021, found on Nov. 5, 2021 at [https://www.amazon.com/Fellow-Stagg-Pour-Kettle-Polished/dp/B014UN8LDU/ref=sr_1_54?crid=2AF2IA6AR6SNK&\(Year:2021\)*](https://www.amazon.com/Fellow-Stagg-Pour-Kettle-Polished/dp/B014UN8LDU/ref=sr_1_54?crid=2AF2IA6AR6SNK&(Year:2021)*)

(Continued)

Primary Examiner — Karen S Acker

(74) *Attorney, Agent, or Firm* — Birch, Stewart, Kolasch & Birch, LLP

(57) **CLAIM**

The ornamental design for a coffeepot for a cooking robot, as shown and described.

DESCRIPTION

1. Coffeepot for a cooking robot

1.1 : Perspective

1.2 : Front

1.3 : Back

1.4 : Left

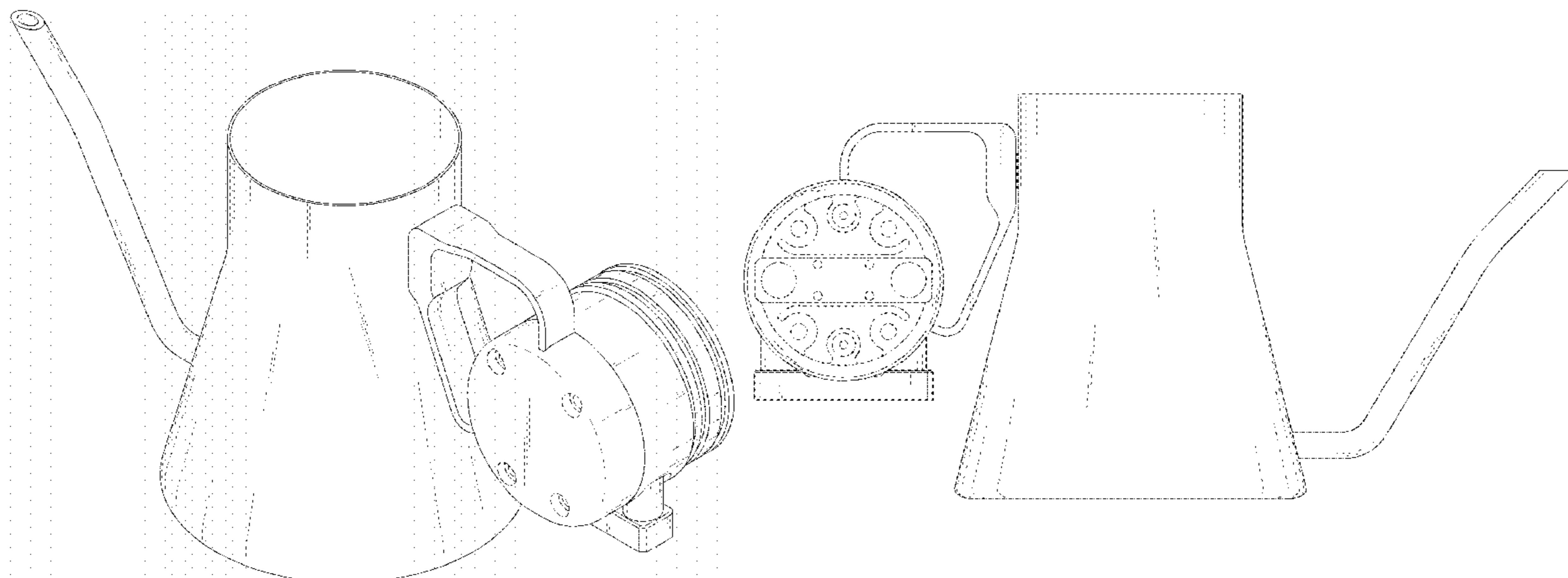
1.5 : Right

1.6 : Top

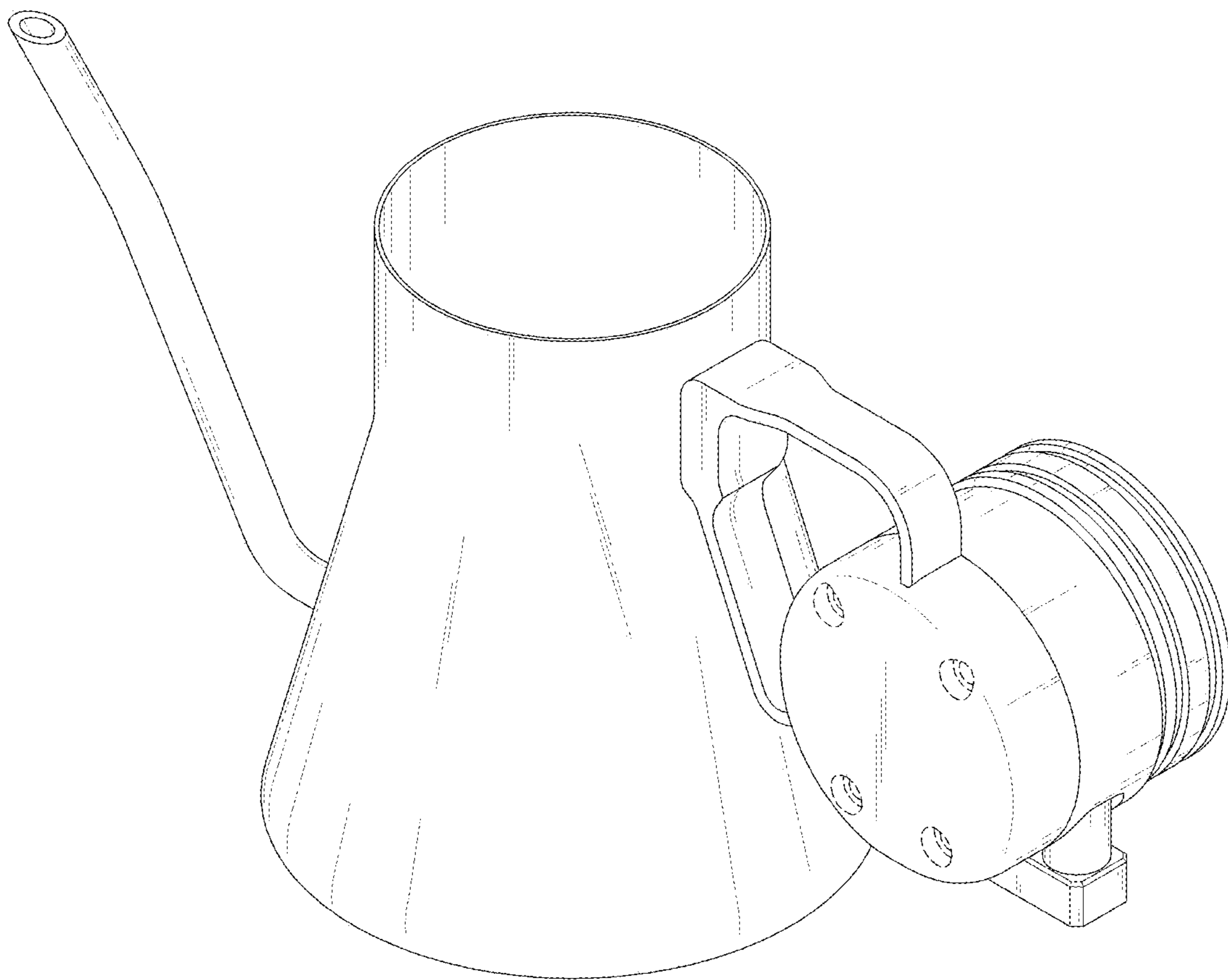
1.7 : Bottom

The broken lines and areas within them depict portions of the coffeepot for a cooking robot that form no part of the claimed design.

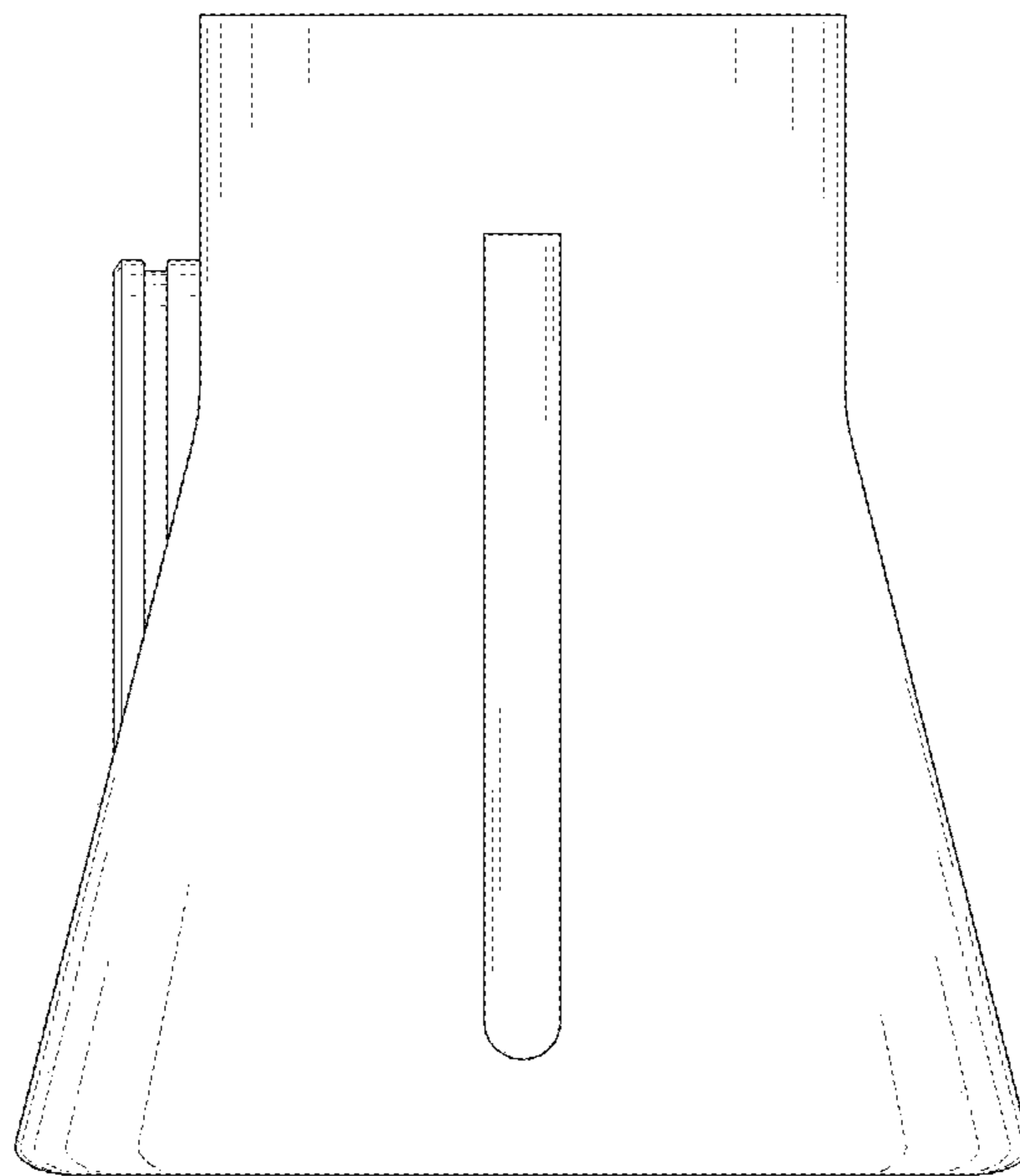
1 Claim, 7 Drawing Sheets



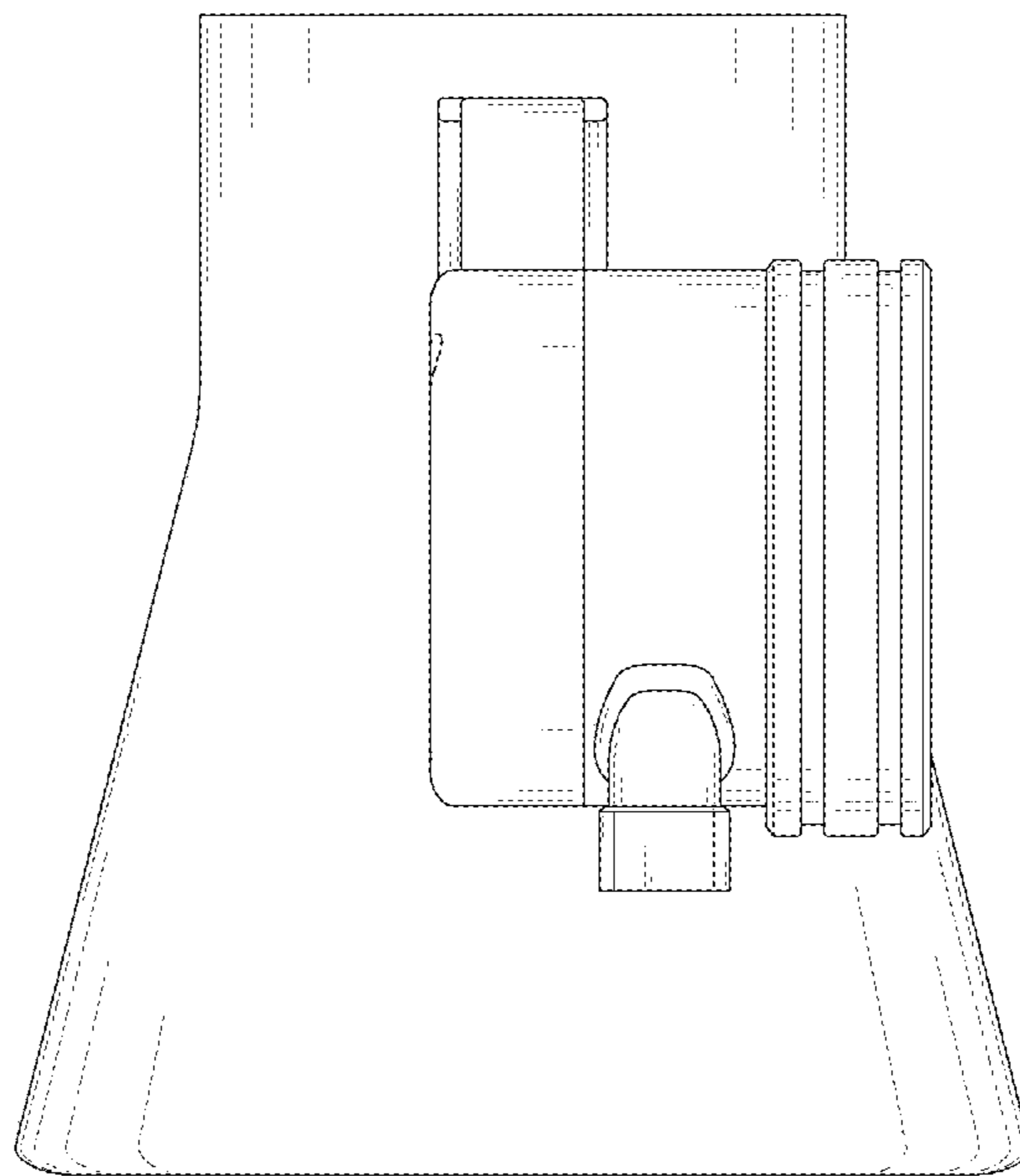
1.1



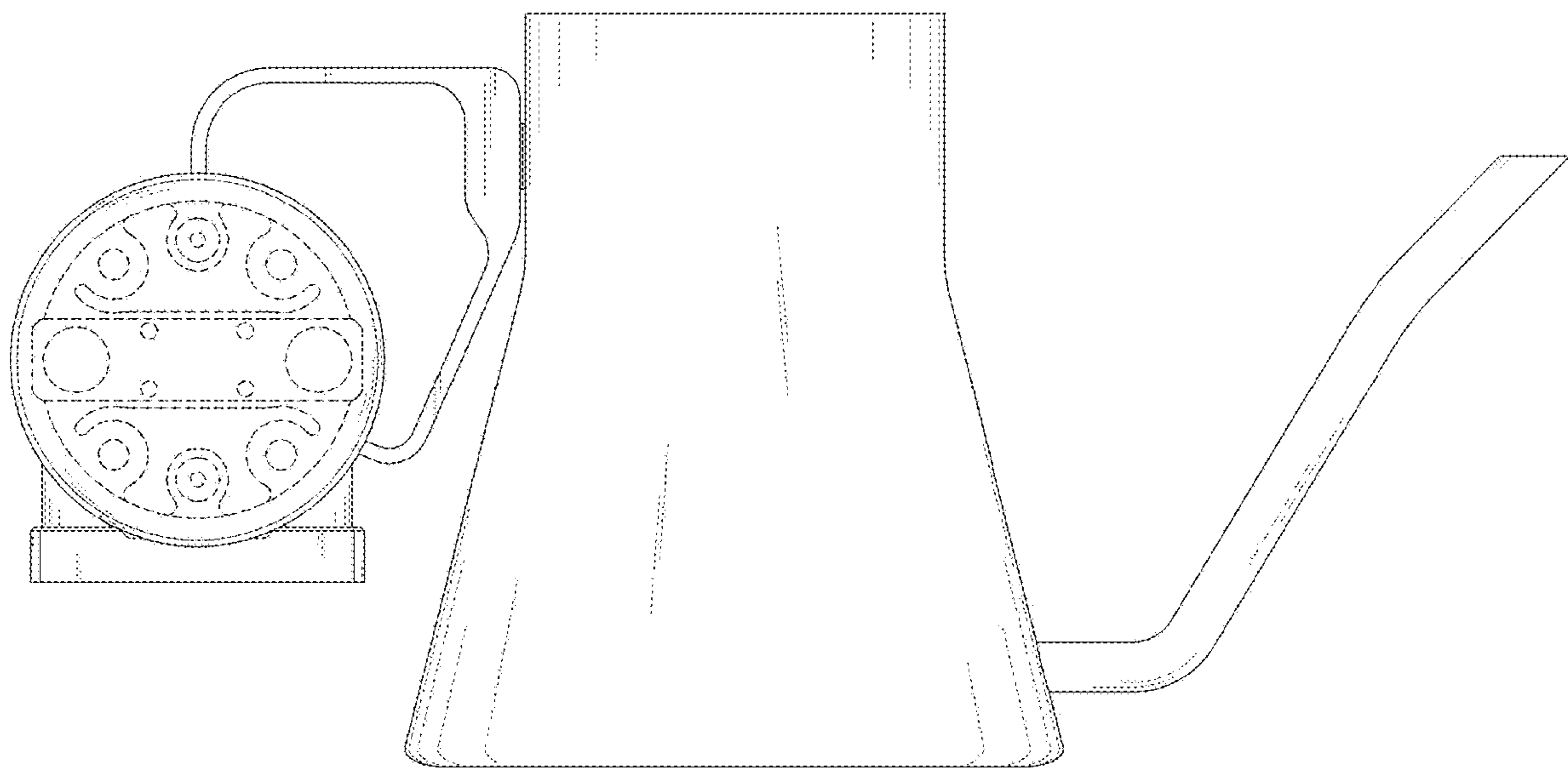
1.2



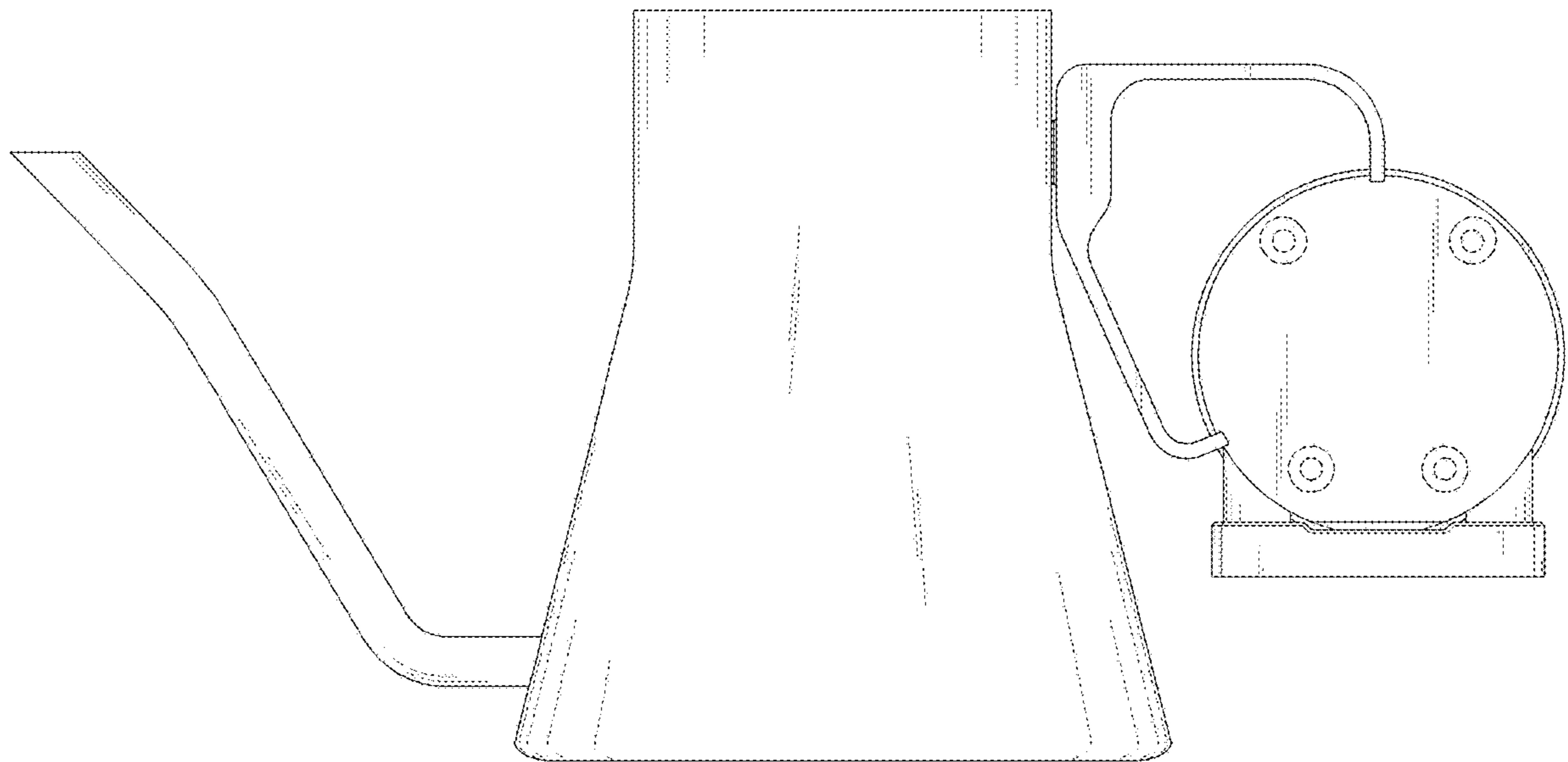
1.3



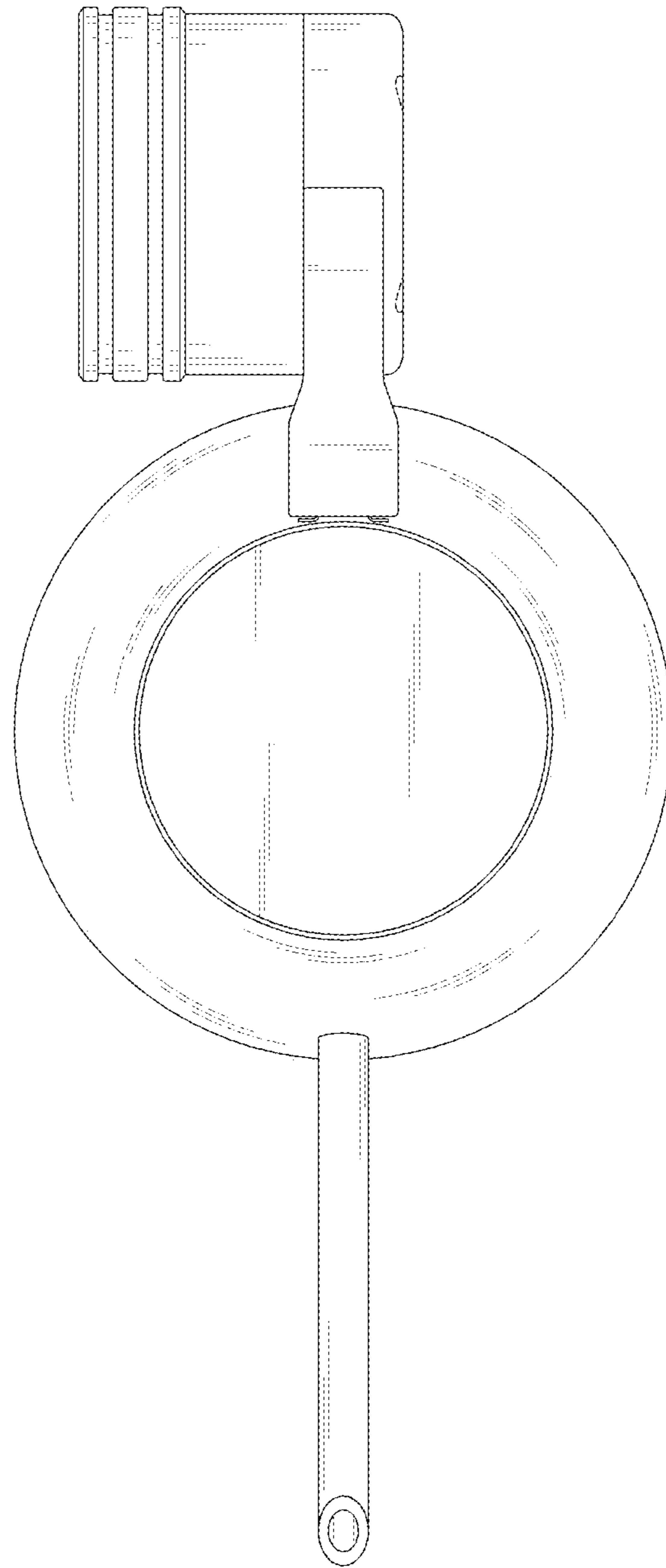
1.4



1.5



1.6



1.7

