



US00D951689S

(12) **United States Design Patent**
Halstrøm

(10) **Patent No.:** **US D951,689 S**
(45) **Date of Patent:** **** May 17, 2022**

(54) **TABLE**

(71) Applicant: **Skagerak Denmark A/S**, Aalborg (DK)

(72) Inventor: **Chris Liljenberg Halstrøm**,
København (DK)

(73) Assignee: **Skagerak Denmark A/S**, Aalborg (DK)

(**) Term: **15 Years**

(21) Appl. No.: **29/733,426**

(22) Filed: **May 1, 2020**

(30) **Foreign Application Priority Data**

Nov. 1, 2019 (EM) 007162615-0001

(51) **LOC (13) Cl.** **06-03**

(52) **U.S. Cl.**
USPC **D6/691.6**

(58) **Field of Classification Search**
USPC D6/686, 690, 691, 691.3, 691.1, 691.5,
D6/691.6, 692.1, 694.4, 695.1, 692.4,
D6/693.1, 695.4, 696.3

CPC .. A47B 3/00; A47B 3/002; A47B 3/08; A47B
3/0812; A47B 3/0818; A47B 3/0912;
A47B 2003/006; A47B 2003/0821; A47B
7/00; A47B 13/00; A47B 13/02; A47B
13/04; A47B 13/06; A47B 13/08; A47B
21/00; A47B 2200/0001; A47B
2200/0011; A47B 2200/002; A47B
2200/0035; A47B 2200/005; A47B 13/10;
A47B 13/12; A47B 17/00; A47B 17/003;
A47B 17/06; A47B 21/0314; A47B
2021/0307; A47B 2021/0321; A47B
2021/0335; A47B 2200/0003; A47B
2200/0004; A47B 47/0058; A47B 11/00;
A47B 3/06; A47B 7/0091; A47B 7/0025;
A47B 7/0058; A47B 7/0008

See application file for complete search history.

(56) **References Cited**

U.S. PATENT DOCUMENTS

1,788,778 A * 1/1931 Parsons A47B 1/02
108/67
D153,739 S * 5/1949 Wallance D6/686
D228,106 S * 8/1973 Klotz et al. D6/691.6
D236,786 S * 9/1975 Smith D6/691.1
D293,862 S * 1/1988 Hubert D6/691.1
D303,052 S * 8/1989 Rosen D6/691.5

(Continued)

OTHER PUBLICATIONS

Cress 71" Dining Table by Scandinavian Designs, first available:
Dec. 9, 2017. scandinaviandesigns.com [online], [site visited Dec.
2, 2021], Internet URL: <https://scandinaviandesigns.com/products/cress-rectangle-dining-table> (Year: 2017).*

(Continued)

Primary Examiner — Steven J Czyz

Assistant Examiner — Hillary Catherine Shepard

(74) *Attorney, Agent, or Firm* — Dykema Gossett PLLC

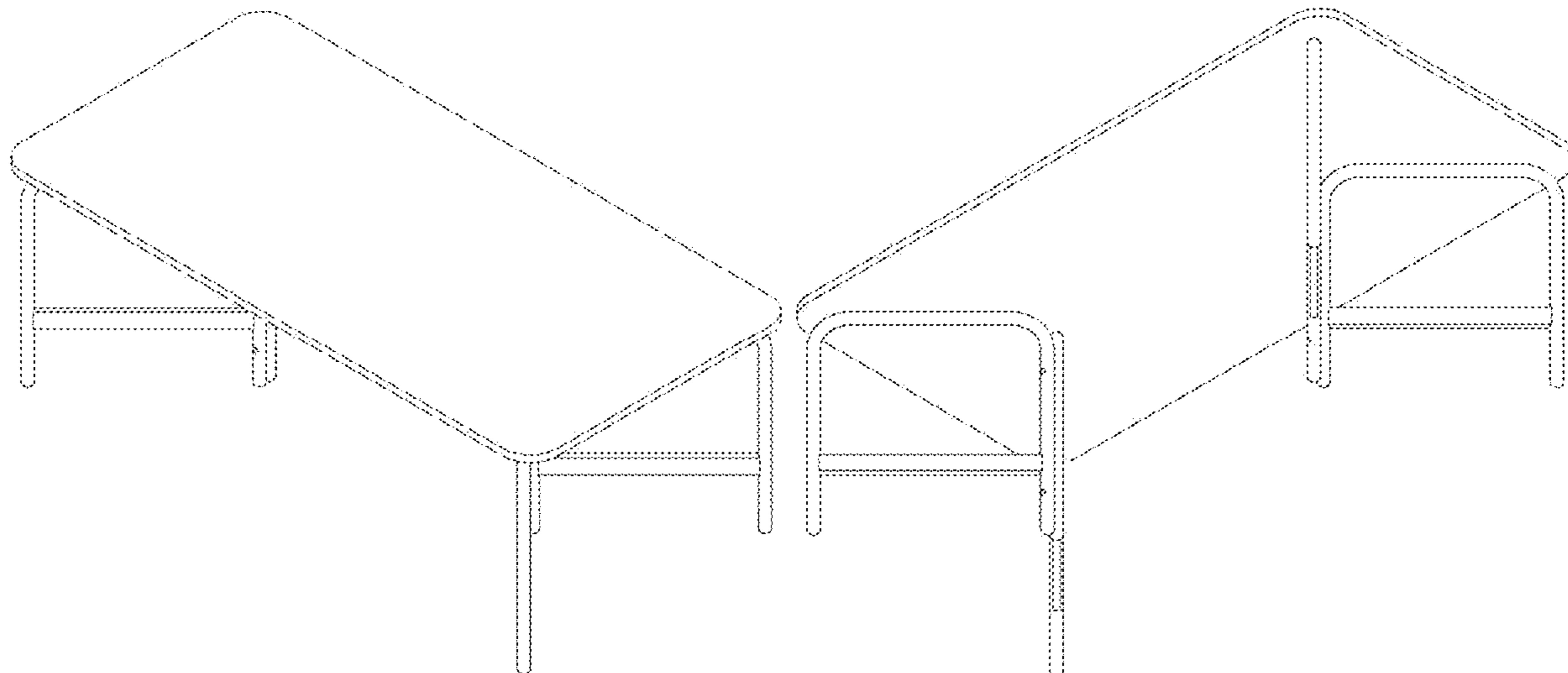
(57) **CLAIM**

The ornamental design for a table, as shown and described.

DESCRIPTION

FIG. 1 is a bottom view of a table;
FIG. 2 is a left side elevational view of the table depicted in
FIG. 1, the opposite side view being a mirror image thereof;
FIG. 3 is a front view of the table depicted in FIG. 1, the
opposite side view being a mirror image thereof;
FIG. 4 is a top view of the table depicted in FIG. 1;
FIG. 5 is a top perspective view of the table depicted in FIG.
1; and,
FIG. 6 is a bottom perspective view of the table depicted in
FIG. 1.

1 Claim, 4 Drawing Sheets



(56)

References Cited

U.S. PATENT DOCUMENTS

D317,096 S * 5/1991 McIvor D6/691.6
 D326,025 S * 5/1992 Grosfillex D6/691.3
 D353,280 S * 12/1994 Westerburgen D6/691.5
 5,375,837 A * 12/1994 Moreau A47B 25/003
 108/79
 D361,676 S * 8/1995 Westerburgen D6/691.1
 5,445,085 A * 8/1995 Westerburgen A47B 3/083
 108/115
 D380,320 S * 7/1997 Grazioli D6/692
 D380,321 S * 7/1997 Grazioli D6/692
 D475,869 S * 6/2003 Jackson D6/691.1
 D485,094 S * 1/2004 Chang D6/690
 D508,625 S * 8/2005 Frenkler D6/647
 7,634,968 B2 * 12/2009 Cornelius A47B 3/0803
 108/115
 D608,116 S * 1/2010 Fairbanks D6/692.1
 D624,336 S * 9/2010 Schultz D6/691.8
 D655,952 S * 3/2012 McCurry D6/708
 D662,335 S * 6/2012 Schultz D6/691.8
 D668,893 S * 10/2012 Lehman-Smith D6/708
 D738,652 S * 9/2015 Baraldi D6/692
 D757,470 S * 5/2016 Pedersen D6/686
 D774,809 S * 12/2016 Grossinger D6/691.3
 D775,880 S * 1/2017 Grossinger D6/692
 D783,330 S * 4/2017 Hiyoshi D6/708
 D784,742 S * 4/2017 Grassinger D6/691
 D812,399 S * 3/2018 Gharabegian D6/691
 D817,052 S * 5/2018 Parisio D6/708
 D826,608 S * 8/2018 Pedersen D6/708.23

D880,915 S * 4/2020 Oakley D6/708
 D882,311 S * 4/2020 Davis D6/691
 D907,420 S * 1/2021 Liu D6/708.23
 D914,415 S * 3/2021 Lim D6/691
 D914,419 S * 3/2021 Yamanashi D6/709.2
 D919,196 S * 5/2021 Chen D30/133
 D922,105 S * 6/2021 Pereira D6/656.19
 11,185,156 B2 * 11/2021 Yang A47B 3/083
 D941,063 S * 1/2022 Li D6/656.14
 D943,315 S * 2/2022 Li D6/656
 2006/0005748 A1 * 1/2006 Christians A47B 1/08
 108/115
 2014/0373760 A1 * 12/2014 Shiraishi A47B 3/002
 108/171

OTHER PUBLICATIONS

20007/1 Classic Teak Dining Table by House of Denmark, first available: unknown. houseofdenmarkfurniture.com [online], [site visited Dec. 2, 2021], Internet URL: <https://www.houseofdenmarkfurniture.com/product/2007-dining-table/> (Year: 2021).
 2050/2 Classic Teak Dining Table by House of Denmark, first available: Unknown. houseofdenmarkfurniture.com [online], [site visited Dec. 2, 2021], Internet URL: <https://www.houseofdenmarkfurniture.com/product/2050-dining-table/> (Year: 2021).
 Aldus Table 160 by Chris Liljenberg Halstrom, first available: Oct. 27, 2020. Skagerak.com [online], [site visited Dec. 2, 2021], Internet URL: <https://www.skagerak.com/dk/indoor/tables/dining-tables/aldus-table-160-1420036> (Year: 2020).*

* cited by examiner



Fig. 1

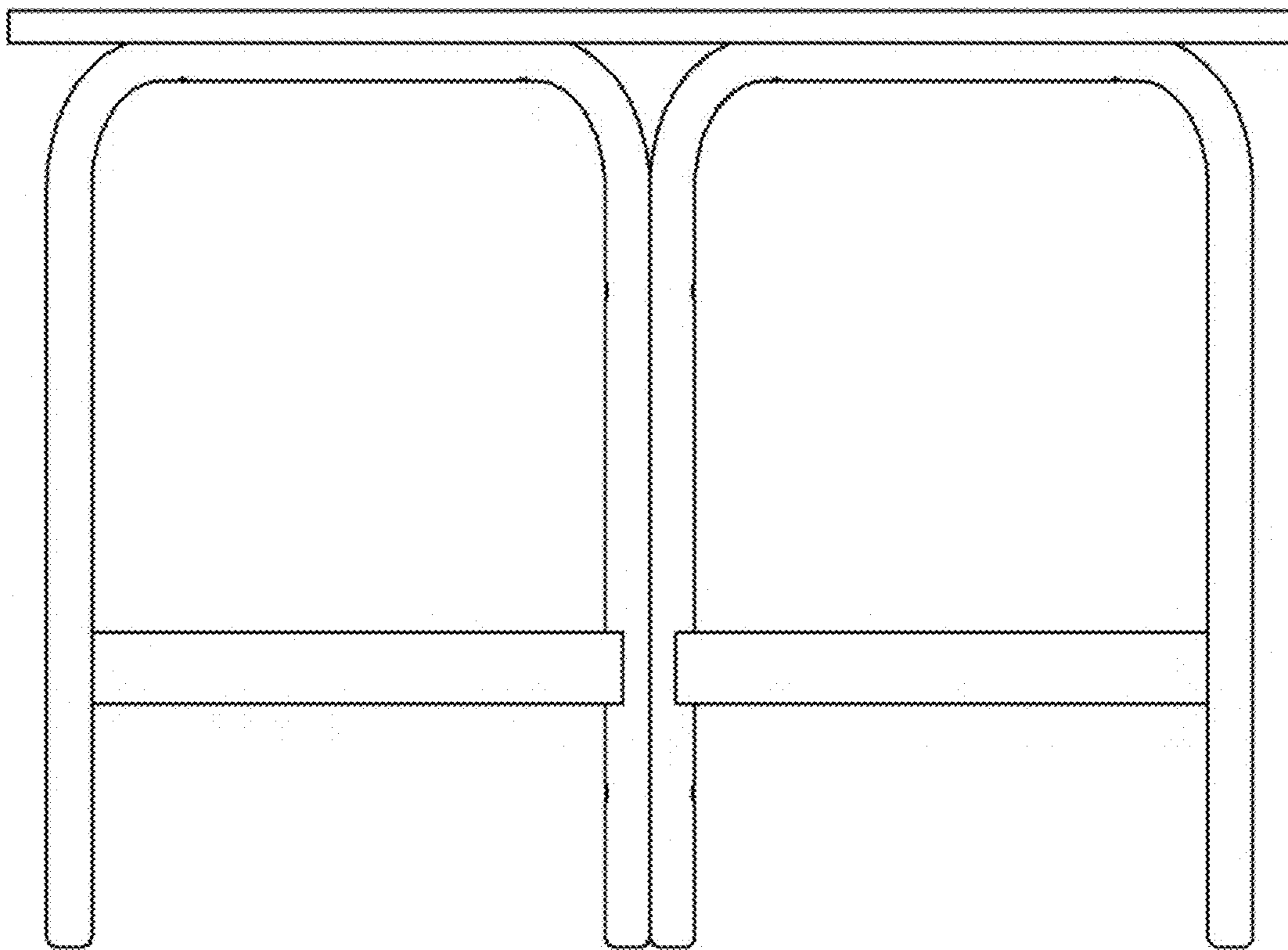


Fig. 2



Fig. 3



Fig. 4

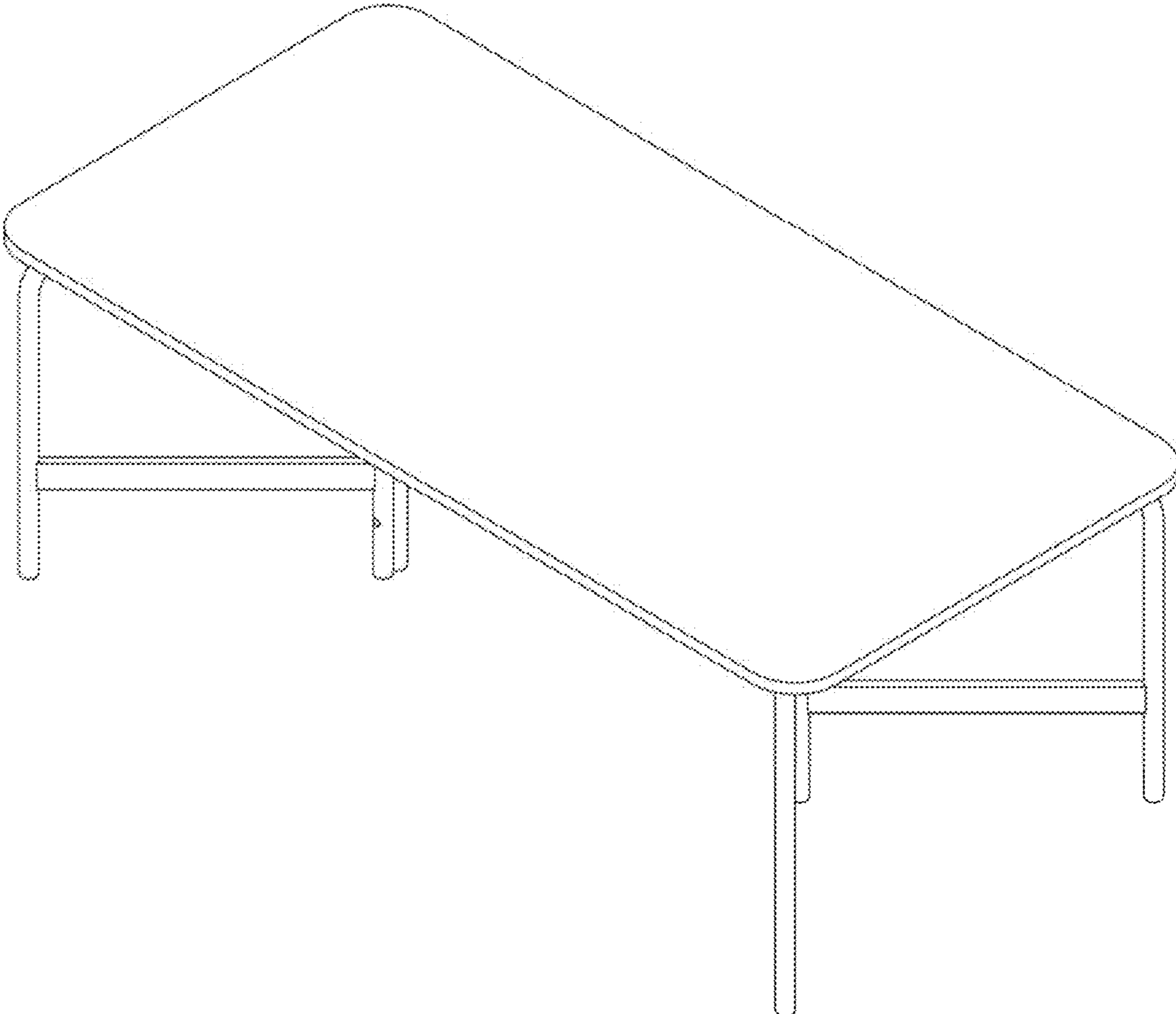


Fig. 5

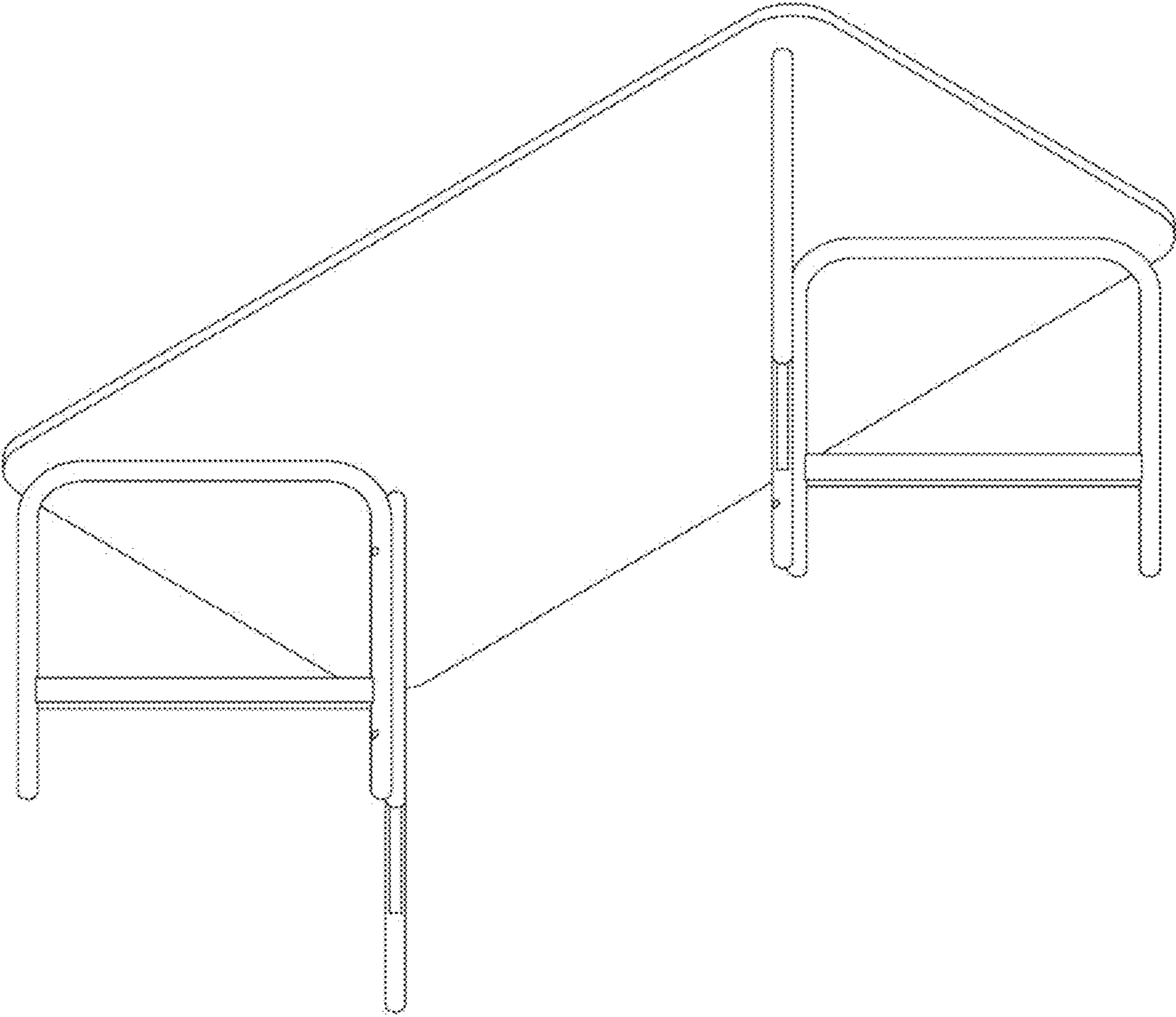


Fig. 6