



US00D951687S

(12) **United States Design Patent**
Zhao et al.

(10) **Patent No.:** **US D951,687 S**
(45) **Date of Patent:** **** May 17, 2022**

(54) **COMBINABLE STORAGE RACK**
(71) Applicants: **Shuai Zhao**, Yuanping (CN); **Jinlong Peng**, Haifeng (CN)
(72) Inventors: **Shuai Zhao**, Yuanping (CN); **Jinlong Peng**, Haifeng (CN)
(**) Term: **15 Years**
(21) Appl. No.: **29/777,936**
(22) Filed: **Apr. 9, 2021**
(51) **LOC (13) Cl.** **06-06**
(52) **U.S. Cl.**
USPC **D6/682.2**
(58) **Field of Classification Search**
USPC D3/304, 313, 314; D19/75, 77-80,
D19/86-87, 90-92, 414, 432, 737;
D6/657, 672, 675, 682, 682.1, 682.2,
D6/702-703, 703.5
CPC A47F 5/0018; A47F 7/00; B65D
2543/00222; B65D 2543/00296; B65D
11/1866; A47B 47/00; A47B 47/0066;
A47B 87/00
See application file for complete search history.

D375,874 S * 11/1996 Chrisco D7/637
5,702,009 A * 12/1997 Ouellet A47G 23/0241
211/74
D528,869 S * 9/2006 VanHook D21/501
D553,393 S * 10/2007 Cassel D6/675.1
D590,183 S 4/2009 Hensel
D653,049 S * 1/2012 Goldszer D6/406.3
D677,054 S 3/2013 Chen
D690,936 S * 10/2013 Jerome D3/302
D691,423 S 10/2013 Chapman et al.
D699,057 S * 2/2014 Price D6/675

(Continued)

Primary Examiner — Kelley A Donnelly

(57) **CLAIM**

The ornamental design for a combinable storage rack, as shown and described.

DESCRIPTION

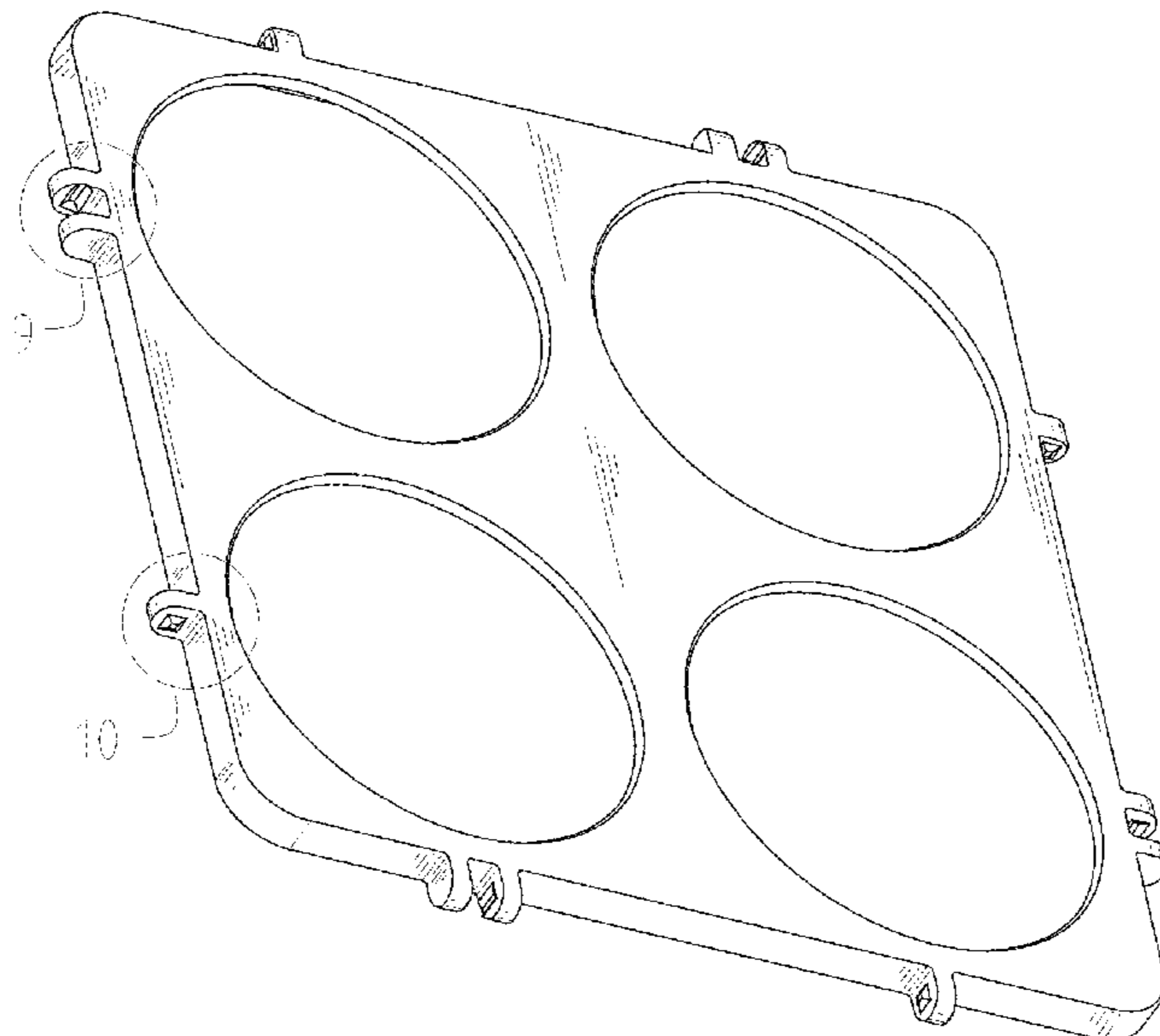
FIG. 1 is a first perspective view of a combinable storage rack showing my new design;
FIG. 2 is a second perspective view thereof;
FIG. 3 is a front view thereof;
FIG. 4 is a back view thereof;
FIG. 5 is a left side view thereof;
FIG. 6 is a right side view thereof;
FIG. 7 is a top view thereof;
FIG. 8 is a bottom view thereof;
FIG. 9 is an enlarged view of the selected portion in FIG. 1;
FIG. 10 is an enlarged view of the selected portion in FIG. 1;
FIG. 11 is a perspective view of the first using state of the combinable storage rack thereof; and,
FIG. 12 is a perspective view of the second using state of the combinable storage rack thereof.
The broken lines shown in the drawings depict portions of the combinable storage rack in which the design is embodied that form no part of the claimed design.

(56) **References Cited**

U.S. PATENT DOCUMENTS

3,379,315 A * 4/1968 Broadwin B01L 9/543
211/72
D233,086 S * 10/1974 Emma Gismondi D6/682.2
4,482,522 A * 11/1984 Baudisch B01L 9/06
422/566
D288,763 S * 3/1987 Berfield D6/553
D304,401 S * 11/1989 Wagner D7/705
D334,815 S * 4/1993 Bungler D21/501
D336,613 S * 6/1993 Zutler D9/423
D337,005 S * 7/1993 Culverhouse D6/407
D353,077 S * 12/1994 Hollstrom D7/553.5
5,507,389 A * 4/1996 Syrek A63H 33/08
206/508

1 Claim, 12 Drawing Sheets



(56)

References Cited

U.S. PATENT DOCUMENTS

D728,941 S	*	5/2015	Stoekmann	D3/313
D745,817 S	*	12/2015	Amash	D8/71
D771,384 S	*	11/2016	Aldredge	D3/313
D773,558 S	*	12/2016	Melnick	D19/90
D783,285 S	*	4/2017	Hecht	D3/304
D864,569 S	*	10/2019	Hsieh	D3/302

* cited by examiner

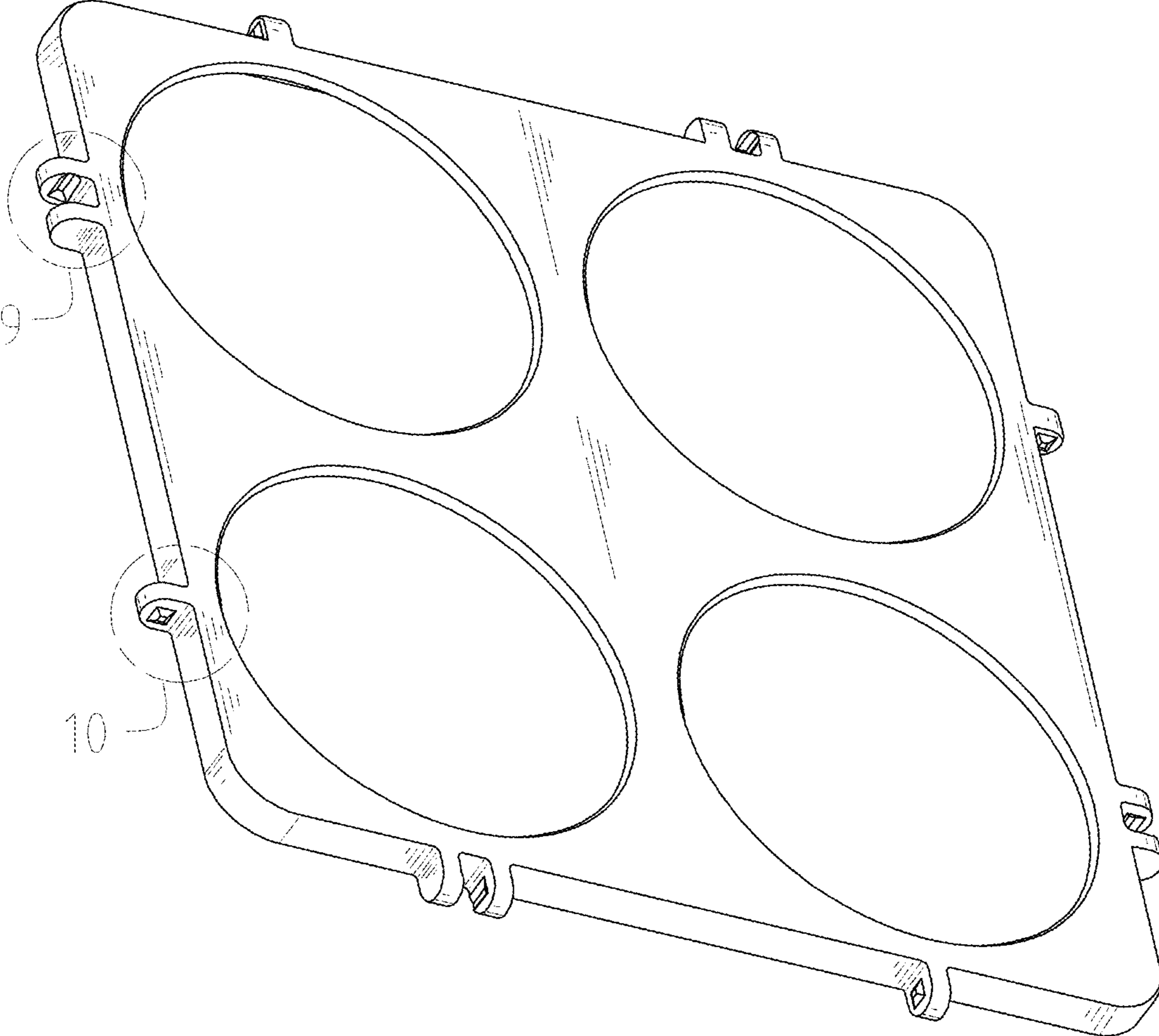


FIG. 1

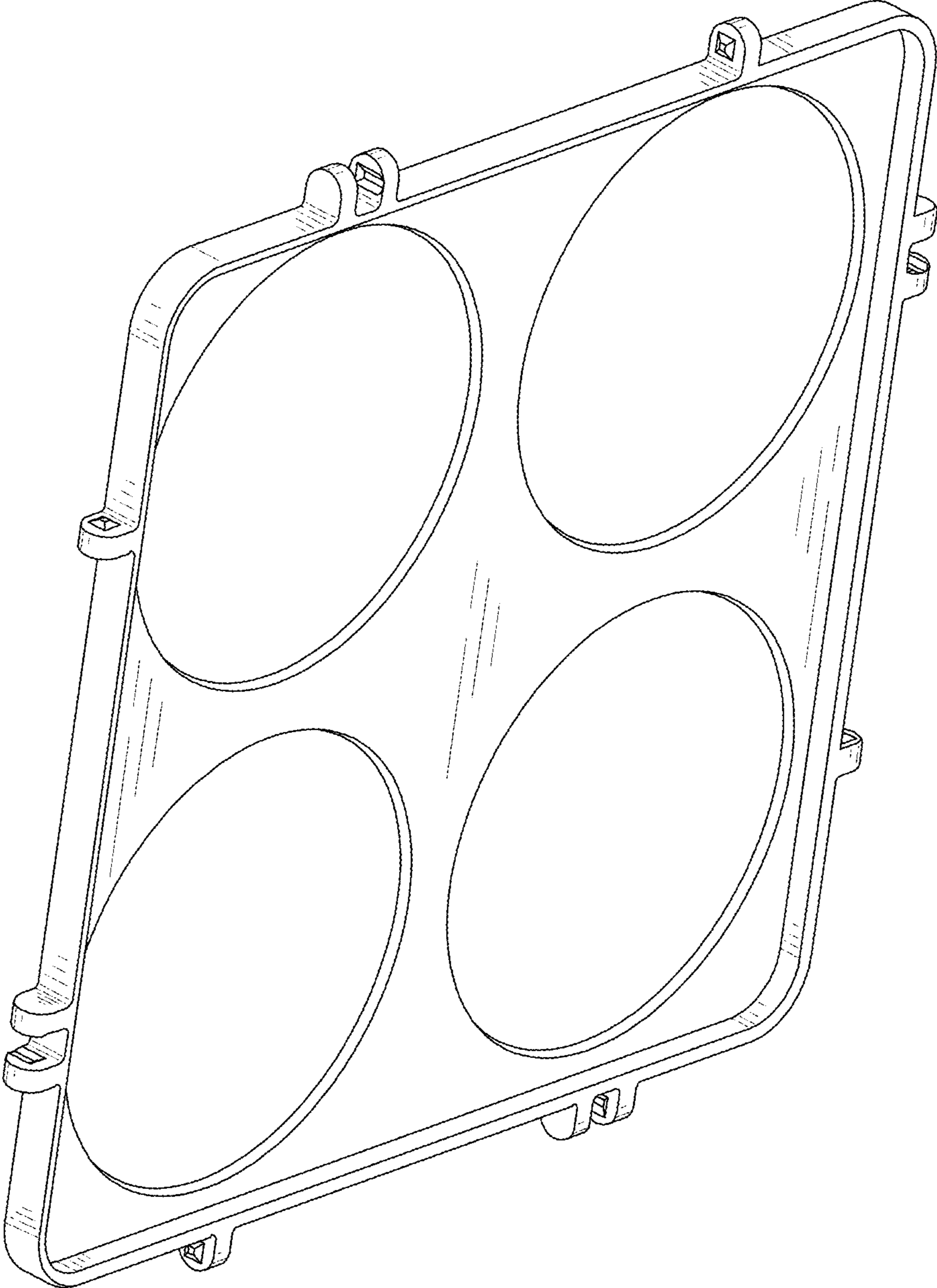


FIG. 2

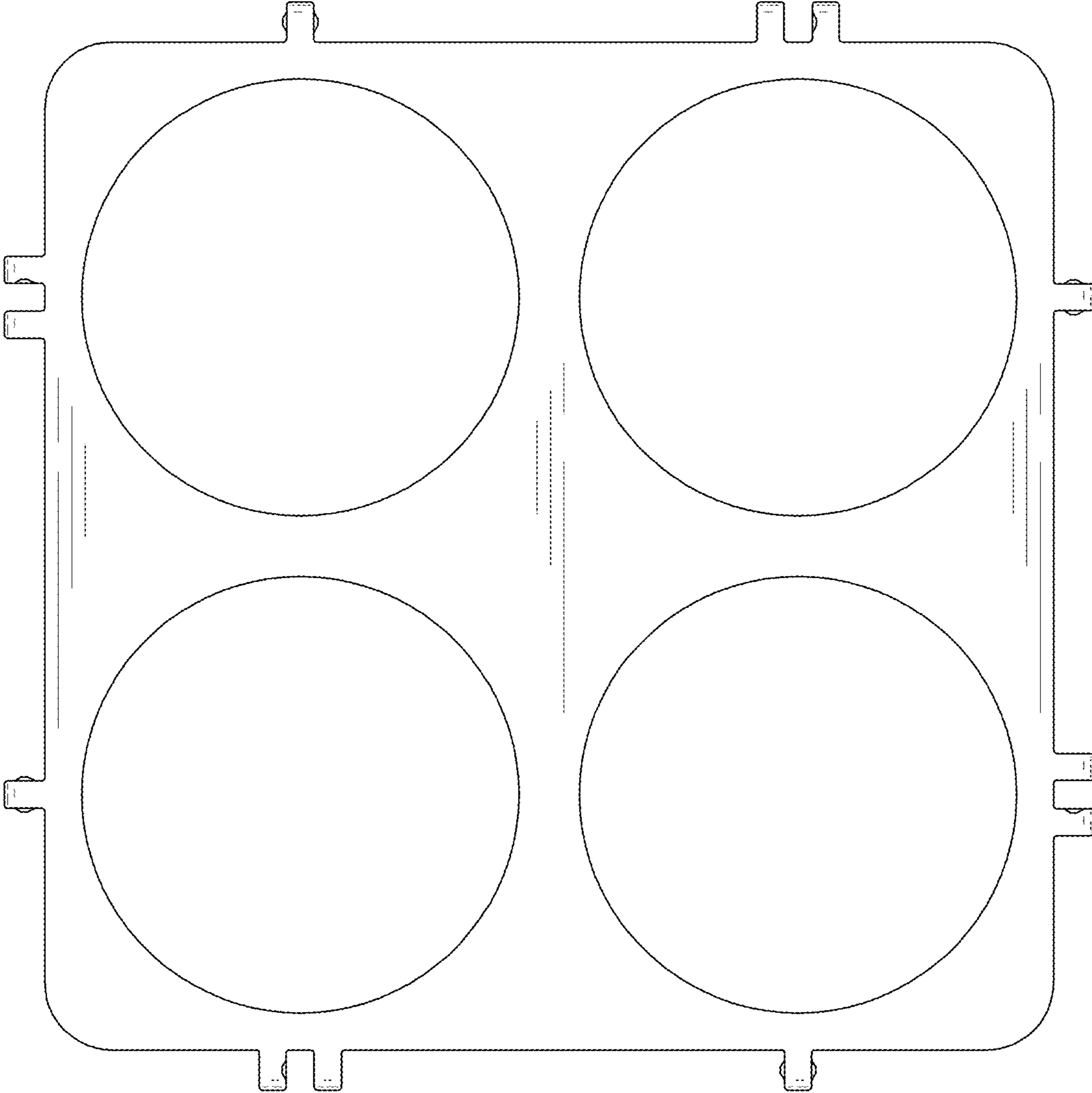


FIG. 3

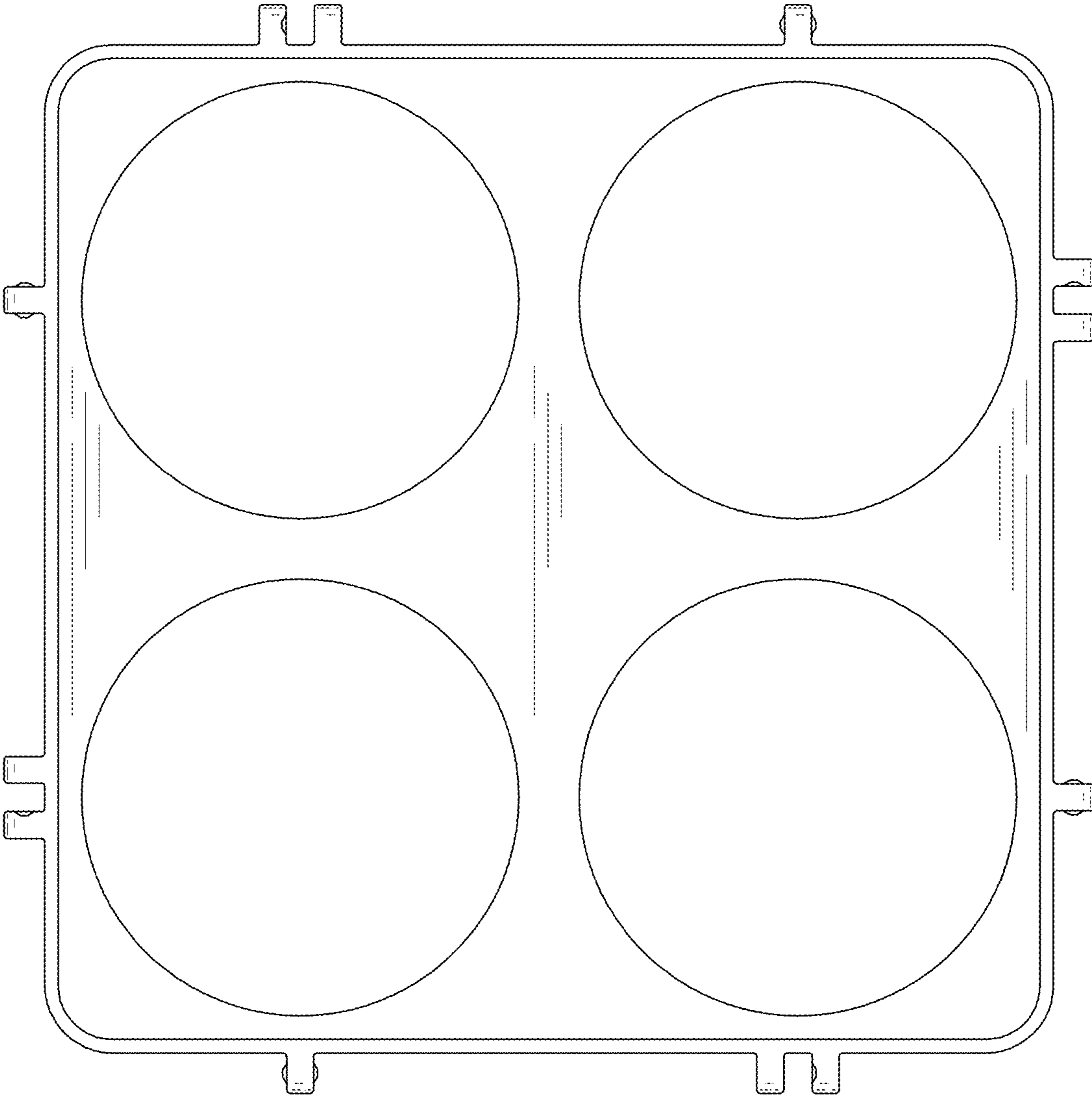


FIG. 4



FIG. 5



FIG. 6



FIG. 7



FIG. 8

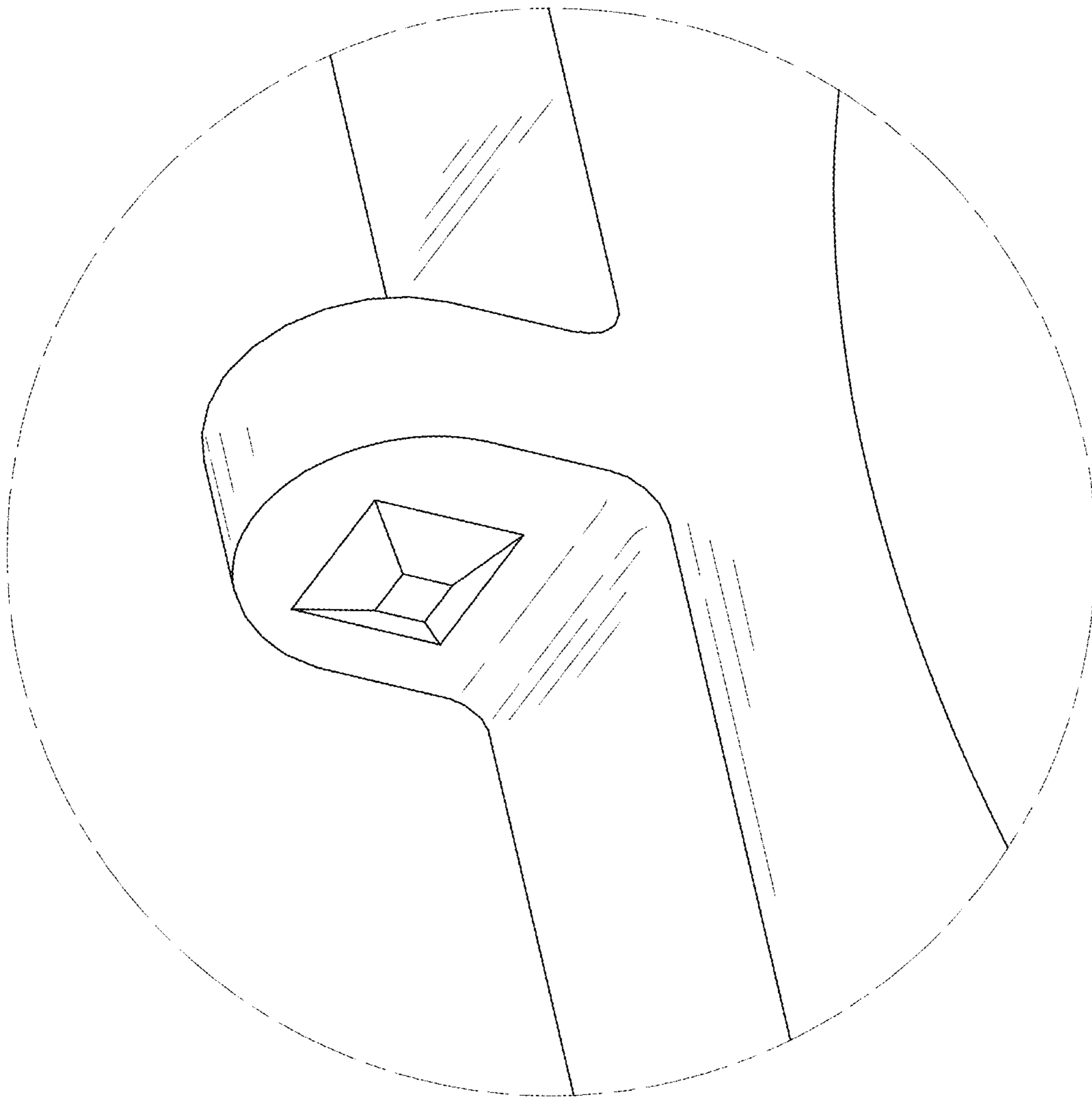


FIG. 9

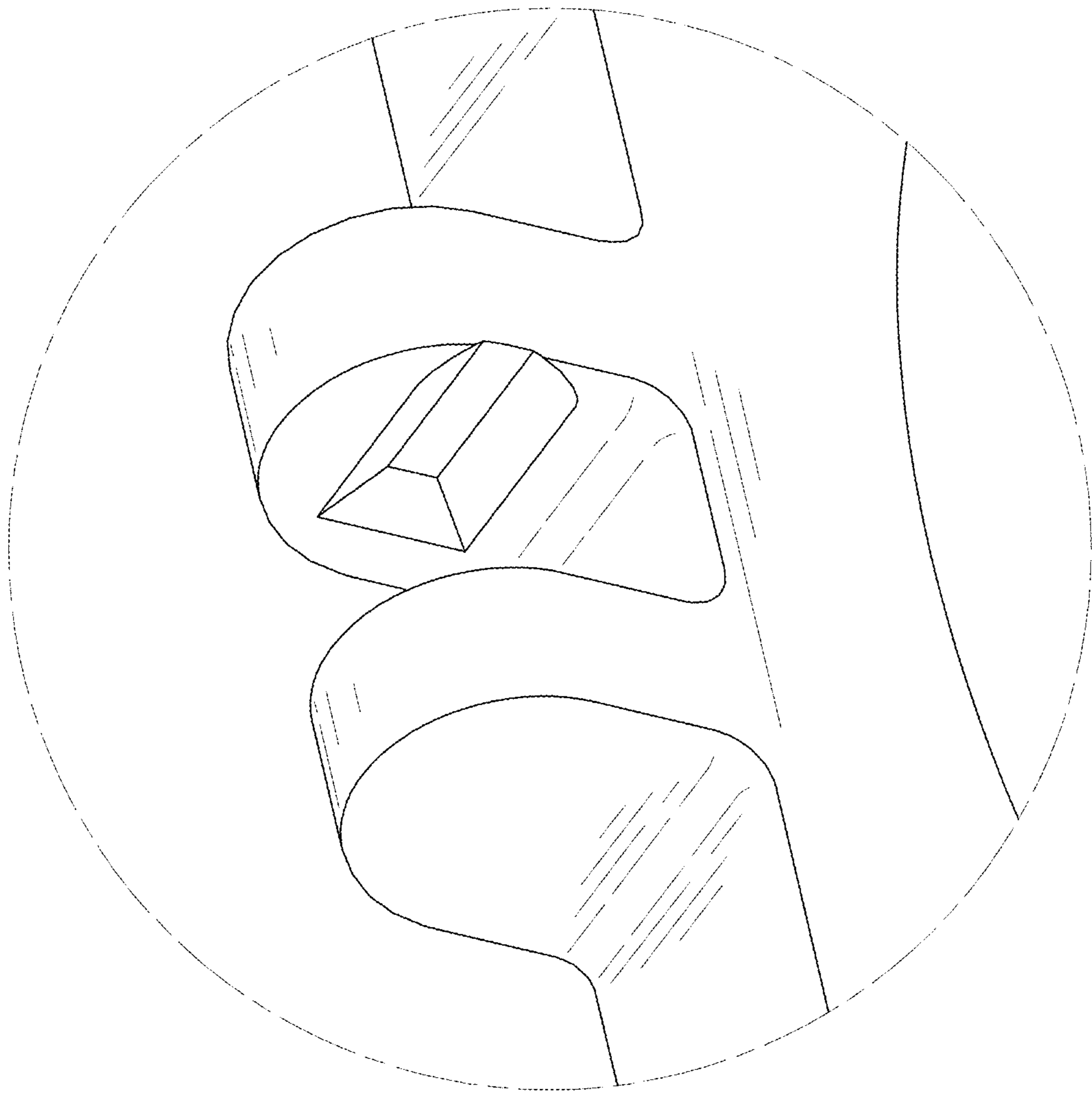


FIG. 10

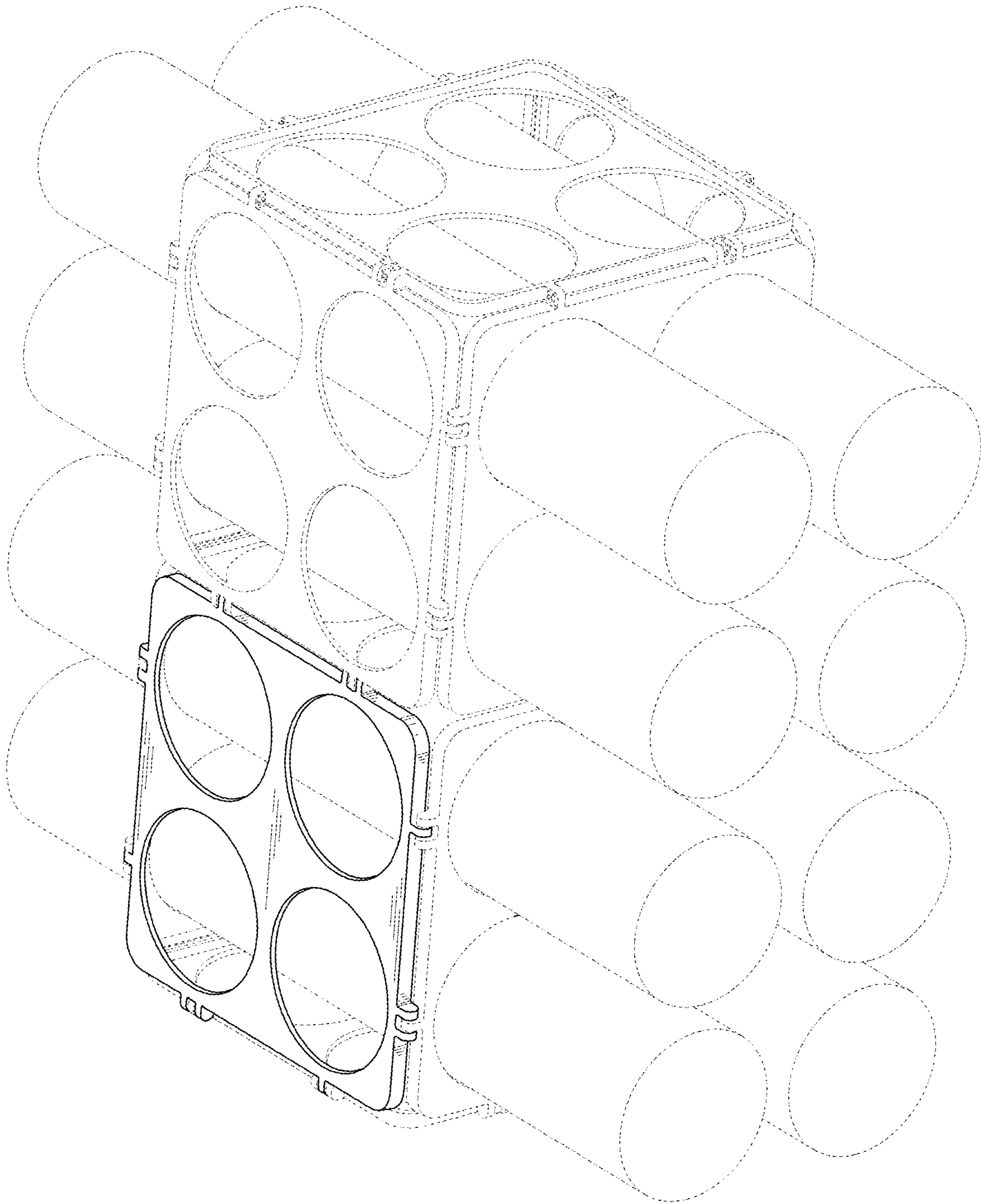


FIG.11

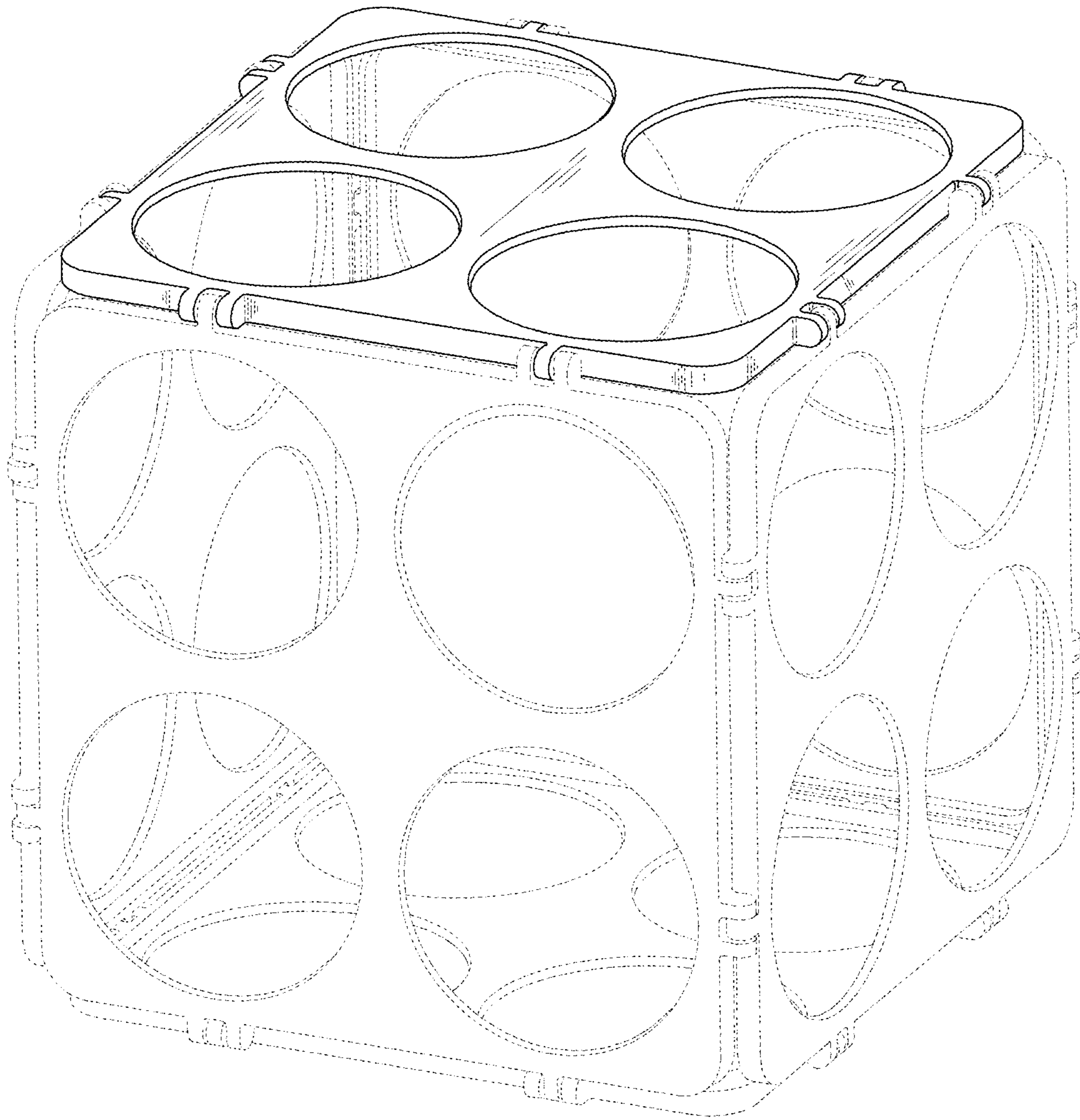


FIG.12