



US00D951683S

(12) **United States Design Patent**  
**Davis et al.**

(10) **Patent No.:** **US D951,683 S**  
(45) **Date of Patent:** **\*\* May 17, 2022**

(54) **CABINET**

D47,600 S 7/1915 Koch  
D61,244 S 7/1922 Mitchell  
D64,390 S 8/1922 Arons  
(Continued)

(71) Applicant: **Walker Edison Furniture Company LLC**, West Jordan, UT (US)

(72) Inventors: **Matthew Davis**, Millcreek, UT (US);  
**Brad Bonham**, Draper, UT (US);  
**Richard A. Packer**, Kaysville, UT (US);  
**Tiffany Duhadway**, Salt Lake City, UT (US)

**FOREIGN PATENT DOCUMENTS**

CN 304770575 8/2018  
EM 003068485-0003 4/2016  
(Continued)

(73) Assignee: **Walker Edison Furniture Company LLC**, West Jordan, UT (US)

**OTHER PUBLICATIONS**

“Walker Edison Willa Modern Farmhouse Sliding Single Slat Door Storage Console.” Found online Jun. 30, 2021 at [www.amazon.com](http://www.amazon.com). Product reviewed Jun. 18, 2019. Retrieved from URL: <https://tinyurl.com/4n3s9x45> (Year: 2019).\*

(\*\*) Term: **15 Years**

(21) Appl. No.: **29/756,305**

(22) Filed: **Oct. 27, 2020**

(Continued)

**Related U.S. Application Data**

(62) Division of application No. 29/698,919, filed on Jul. 22, 2019, now Pat. No. Des. 926,500.

(51) **LOC (13) Cl.** ..... **06-04**

(52) **U.S. Cl.**  
USPC ..... **D6/657**

(58) **Field of Classification Search**  
USPC ..... D6/657, 659, 660, 661, 662, 662.1, 671, D6/671.1  
CPC . A47B 67/00; A47B 67/04; A47B 2220/0072; A47B 2220/01; A47B 85/00  
See application file for complete search history.

*Primary Examiner* — Steven J Czyz

(74) *Attorney, Agent, or Firm* — Workman Nydegger

(57) **CLAIM**

The ornamental design for a cabinet, as shown and described.

**DESCRIPTION**

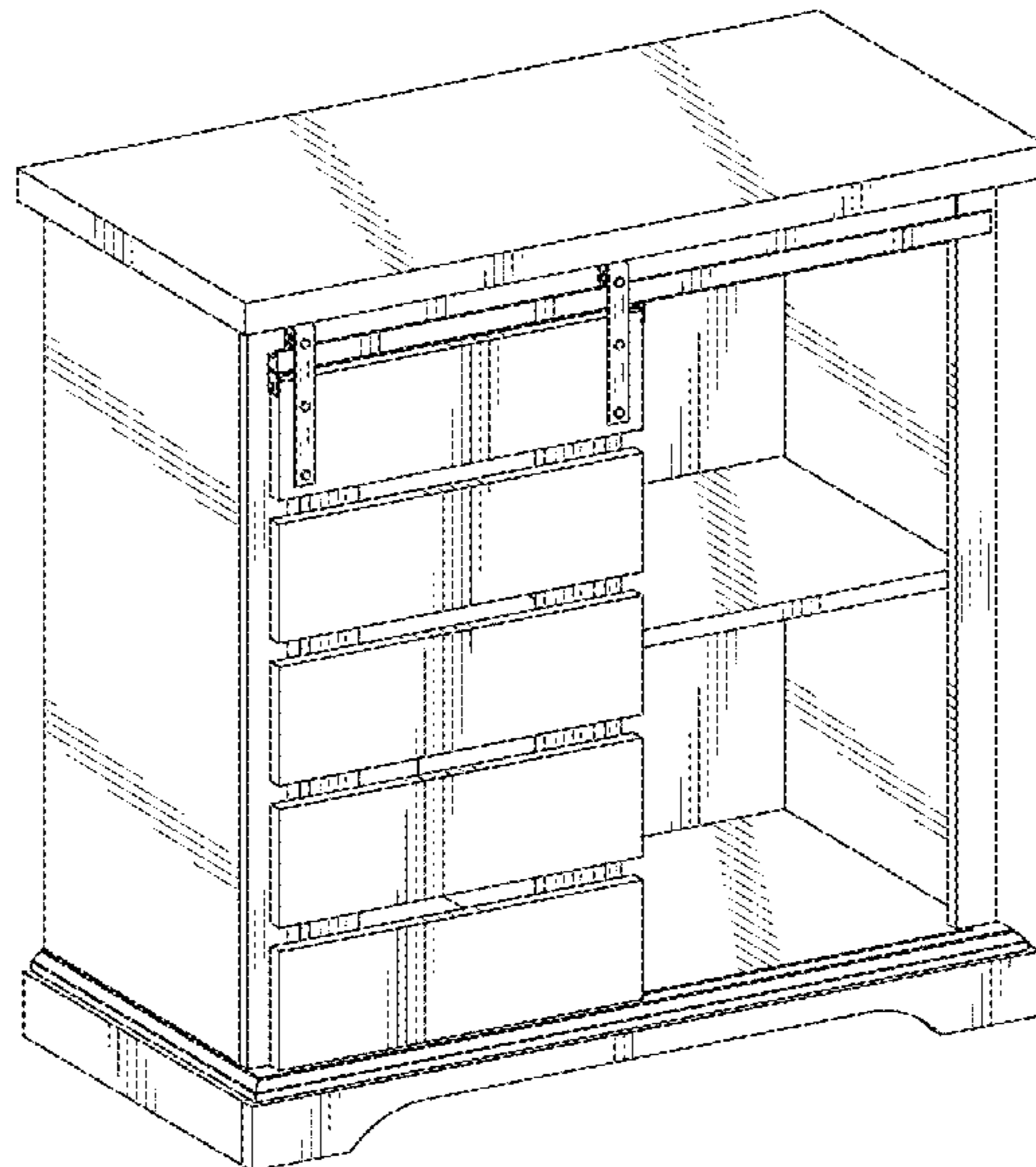
FIG. 1 is a front perspective view of a cabinet showing our new design;  
FIG. 2 is a front elevation view thereof;  
FIG. 3 is a front elevation view thereof, showing the sliding door in an alternate position of use to the right of the cabinet;  
FIG. 4 is a back elevation view thereof;  
FIG. 5 is a top plan view thereof;  
FIG. 6 is a bottom plan view thereof;  
FIG. 7 is a right elevation view thereof; and,  
FIG. 8 is a left elevation view thereof.  
The broken lines depict portions of the article that form no part of the claimed design.

(56) **References Cited**

**U.S. PATENT DOCUMENTS**

245,925 A 8/1881 Kinsley  
309,799 A 12/1884 Poulson  
887,168 A 5/1908 Will  
1,097,697 A 5/1914 Weston  
D47,441 S 6/1915 Ullin

**1 Claim, 4 Drawing Sheets**



# US D951,683 S

(56)

## References Cited

### U.S. PATENT DOCUMENTS

1,475,088 A	11/1923	Specht et al.	5,695,081 A *	12/1997	Alkalay	A47B 47/04
D64,922 S	6/1924	Naill				108/147.12
D66,028 S	11/1924	Lyons et al.	5,765,265 A	6/1998	Kang	
D66,889 S	3/1925	Schleicher	D398,788 S *	9/1998	Schubert	D34/20
1,538,393 A	5/1925	Martin	5,833,084 A *	11/1998	Chang	A47B 55/02
D68,065 S	8/1925	Schleicher				211/187
D68,659 S	11/1925	Smith	D404,937 S *	2/1999	Tarlow	D6/675.1
D78,127 S	3/1929	Schleicher et al.	D423,813 S *	5/2000	Paus	D6/657
D103,250 S	2/1937	Parrish	6,074,029 A *	6/2000	Snoke	A47B 47/02
2,099,387 A	11/1937	Cohn				312/249.11
2,132,608 A	10/1938	Eaton	D438,727 S	3/2001	McDaniel	
D120,370 S	5/1940	Bach	D440,079 S *	4/2001	Wohlford	D6/675.1
D165,241 S	11/1951	Porter	D446,047 S	8/2001	Stone	
D166,007 S	2/1952	Waite	D449,184 S	10/2001	Cain	
D175,869 S	10/1955	Trout et al.	D450,492 S	11/2001	Sabo	
D182,832 S	5/1958	Lubberts	D454,732 S	3/2002	Frenkler	
D182,836 S	5/1958	Lubberts et al.	D455,916 S *	4/2002	Fluhrer	D6/675.1
2,836,871 A	6/1958	Sidney	D462,008 S	8/2002	Stone	
D183,788 S	10/1958	Carter et al.	D473,404 S	4/2003	De Blois	
2,884,675 A	5/1959	Richard	D475,225 S *	6/2003	McBrayer, Jr.	D6/703
D186,115 S	9/1959	Church	D477,160 S *	7/2003	Grosfillex	D6/675.1
2,918,176 A	12/1959	Bell	D479,925 S *	9/2003	Hsieh	D6/675.1
D187,232 S	2/1960	Matyas	D485,450 S	1/2004	Smith	
D188,196 S	6/1960	Lubberts et al.	D486,015 S	2/2004	De Blois	
D188,197 S	6/1960	Swarts et al.	D495,527 S	9/2004	Walker	
D193,516 S	9/1962	Deaton	6,789,859 B1 *	9/2004	Ho	A47B 47/02
D195,726 S	7/1963	Harper				312/257.1
D196,451 S	10/1963	McMullen	D497,741 S *	11/2004	Sexton	D6/675.1
3,369,278 A	2/1968	Humphreys	D500,929 S	1/2005	Walker	
D220,704 S	5/1971	Kramer	D502,617 S	3/2005	Chang	
RE27,186 E	10/1971	Ferdinand et al.	D503,570 S *	4/2005	Anderson	D6/349
RE27,200 E	10/1971	Ferdinand et al.	D507,428 S *	7/2005	Weatherly	D6/662.1
3,688,707 A	9/1972	Maurice	D507,899 S	8/2005	Rozenboom	
D230,446 S	2/1974	Price	D518,978 S	4/2006	Katz	
D233,294 S	10/1974	Goulder	D519,299 S *	4/2006	Boudreau	D6/657
3,855,637 A	12/1974	Luger	D520,779 S	5/2006	DeBlois	
D236,676 S	9/1975	Urti	D522,773 S *	6/2006	Becker	D6/661
D236,781 S	9/1975	Cowley	D526,143 S	8/2006	Bruce	
D238,277 S	12/1975	Zaitlin	D531,835 S	11/2006	Harwanko	
D239,352 S	3/1976	Petrick	D534,379 S *	1/2007	Juneau	D6/691.8
D240,381 S	7/1976	Tazaki	D534,998 S *	1/2007	Charnik	D23/286
D244,112 S *	4/1977	Friedman	D536,770 S *	2/2007	Mayer	D23/286
D244,113 S	4/1977	Friedman	D538,406 S *	3/2007	Mayer	D23/286
4,182,244 A *	1/1980	Hutchins, Jr.	D539,057 S *	3/2007	Senda	D6/678.1
			D542,059 S *	5/2007	Moyle	D6/678.1
			D543,057 S *	5/2007	Grady	D6/675.1
			D543,488 S	5/2007	Tobergte	
D259,316 S	5/1981	Offredi	D543,728 S *	6/2007	Becker	D6/661
D267,532 S *	1/1983	Platner	D548,488 S *	8/2007	Weatherly	D6/661
			D548,490 S *	8/2007	Becker	D6/661
			D549,991 S *	9/2007	Stravitz	D6/661
D269,754 S *	7/1983	Kates	D553,879 S *	10/2007	Juneau	D6/671
D271,259 S	11/1983	Smith	D554,393 S *	11/2007	Yalif	D6/661
D273,829 S	5/1984	Desnoyers	D554,897 S	11/2007	Mayer	
D274,152 S	6/1984	Fleming	D555,397 S *	11/2007	Yalif	D6/661
D283,182 S	4/1986	Marshall	D559,017 S	1/2008	Domack	
D289,474 S *	4/1987	Underwood	D559,583 S *	1/2008	Zambelli	D6/661
D293,177 S *	12/1987	Hamami	D559,584 S *	1/2008	Zambelli	D6/657
D303,596 S *	9/1989	Goetz	D559,585 S *	1/2008	Lara	D6/657
D321,571 S	11/1991	Lucariello	D560,077 S *	1/2008	Zambelli	D6/661
D322,184 S *	12/1991	Prevedello	D560,396 S *	1/2008	Weatherly	D6/661
D325,680 S *	4/1992	Kiiski	D560,403 S	1/2008	Domack	
D330,470 S *	10/1992	Bennett	D560,930 S *	2/2008	Woodward	D6/671.1
D336,392 S *	6/1993	Whalen	D561,317 S *	2/2008	Ou	D23/344
5,409,122 A *	4/1995	Lazarus	D562,597 S *	2/2008	Weatherly	D6/671.1
			D564,789 S *	3/2008	deCarolus	D6/661
			D567,346 S *	4/2008	Lin	D23/317
			D586,585 S	2/2009	Hynes	
5,452,812 A *	9/1995	Niequist	D587,483 S *	3/2009	Zambelli	D6/657
			D587,484 S *	3/2009	Domack	D6/661
			D587,497 S *	3/2009	Zambelli	D6/675.1
D363,176 S *	10/1995	Berry, Jr.	D588,831 S *	3/2009	Mohundro	D6/642
D364,055 S *	11/1995	Pakla	D589,280 S *	3/2009	Zambelli	D6/675.1
D364,064 S *	11/1995	Lorenz	D591,533 S *	5/2009	Karsson	D6/675.3
5,463,966 A *	11/1995	Nilsson	D592,432 S *	5/2009	Sexton	D6/661
			7,530,538 B2 *	5/2009	Whalen	A47B 81/061
						108/50.01
5,628,256 A *	5/1997	Lazarus	D593,776 S *	6/2009	Sexton	D6/678.2
			D594,248 S *	6/2009	Zambelli	D6/661
D384,227 S *	9/1997	Grosfillex				

(56)

## References Cited

## U.S. PATENT DOCUMENTS

- D595,979 S 7/2009 Schweikarth  
D598,672 S \* 8/2009 Maly ..... D6/671.1  
D604,546 S \* 11/2009 Alman ..... D6/552  
D605,874 S \* 12/2009 Zambelli ..... D6/661  
D606,331 S \* 12/2009 Wicha ..... D6/657  
D609,497 S 2/2010 Kanthasamy  
D609,503 S \* 2/2010 Hayes ..... D6/687  
D611,727 S \* 3/2010 Vail ..... D6/678.1  
D614,888 S \* 5/2010 Sexton ..... D6/675.1  
D618,015 S \* 6/2010 Sexton ..... D6/678.2  
D618,016 S \* 6/2010 Metcalf ..... D6/691.8  
D620,278 S \* 7/2010 Zambelli ..... D6/661  
D620,283 S \* 7/2010 Calco ..... D6/675.1  
D622,834 S \* 8/2010 Jiang ..... D23/317  
D623,442 S \* 9/2010 Zambelli ..... D6/671.1  
D623,876 S \* 9/2010 Zambelli ..... D6/661  
D623,877 S \* 9/2010 Zambelli ..... D6/661  
D625,123 S \* 10/2010 Zambelli ..... D6/661  
D630,453 S \* 1/2011 Rafieha ..... D6/661  
D632,902 S \* 2/2011 Rafieha ..... D6/661  
D638,922 S \* 5/2011 Zhou ..... D23/344  
7,934,494 B1 \* 5/2011 Schneider ..... F24C 1/16  
126/241  
D640,072 S \* 6/2011 Sexton ..... D6/678.2  
D641,861 S \* 7/2011 Okamoto ..... D23/393  
D644,853 S \* 9/2011 Becker ..... D6/661  
D648,152 S 11/2011 Walker  
D652,232 S 1/2012 Walker  
D653,051 S \* 1/2012 Lin ..... D6/661  
D653,739 S \* 2/2012 Gibbs ..... D23/332  
D654,289 S \* 2/2012 Zambelli ..... D6/661  
D654,995 S \* 2/2012 Asofsky ..... D23/332  
D654,996 S \* 2/2012 Asofsky ..... D23/332  
D655,946 S \* 3/2012 Sexton ..... D6/661  
D658,750 S \* 5/2012 Nemes ..... D23/344  
D663,137 S \* 7/2012 Andersen ..... D6/661  
D663,138 S \* 7/2012 Andersen ..... D6/661  
D665,897 S \* 8/2012 Martin ..... D23/405  
D666,281 S \* 8/2012 Nemes ..... D23/344  
D667,654 S \* 9/2012 Lenney ..... D6/671.1  
D668,475 S \* 10/2012 Zambelli ..... D6/661  
D669,704 S \* 10/2012 Zambelli ..... D6/657  
D669,706 S \* 10/2012 Zambelli ..... D6/662.1  
D669,707 S \* 10/2012 Zambelli ..... D6/662.1  
D670,105 S \* 11/2012 Jespersen ..... D6/691  
D671,769 S 12/2012 Olson  
D674,891 S \* 1/2013 Huang ..... D23/404  
D675,716 S \* 2/2013 Schwartz ..... D23/343  
D677,074 S 3/2013 Olson  
D687,250 S \* 8/2013 Weatherly ..... D6/661  
D694,873 S \* 12/2013 Nemes ..... D23/405  
D696,758 S \* 12/2013 Ernst ..... D23/345  
8,607,776 B2 \* 12/2013 Jansson ..... A47J 37/0704  
126/25 R  
8,813,656 B1 \* 8/2014 Hazzard ..... A47B 81/06  
108/42  
D716,288 S \* 10/2014 O'Heron ..... D14/253  
D717,081 S \* 11/2014 Dworman ..... D6/657  
D717,569 S \* 11/2014 Davis ..... D6/657  
D718,957 S \* 12/2014 Heiser ..... D6/661  
D719,384 S \* 12/2014 Sowers ..... D6/678.2  
D720,563 S \* 1/2015 Burden ..... D6/671.1  
D722,458 S 2/2015 Chen  
D723,148 S \* 2/2015 Lawrence ..... D23/343  
D723,843 S \* 3/2015 Lai ..... D6/675.1  
9,004,060 B2 \* 4/2015 Benedetti ..... F23D 14/70  
126/547  
D730,089 S \* 5/2015 Carbone ..... D6/675.1  
D731,823 S \* 6/2015 Kelinske ..... D6/675.1  
D736,012 S \* 8/2015 Davis ..... D6/673  
D737,418 S \* 8/2015 Hrydovyy ..... D23/342  
D738,477 S \* 9/2015 Nemes ..... D23/344  
D738,647 S \* 9/2015 Muller ..... D6/669  
D741,090 S \* 10/2015 Ward ..... D6/671  
D741,630 S \* 10/2015 Meissner ..... D6/675.1  
D742,142 S \* 11/2015 Everson ..... D6/675.1  
D742,662 S \* 11/2015 Muller ..... D6/669  
D743,192 S \* 11/2015 Davis ..... D6/691.5  
D746,614 S \* 1/2016 Sheppard ..... D6/657  
D747,123 S \* 1/2016 Zambelli ..... D6/660  
D747,788 S \* 1/2016 Baker ..... D23/344  
D747,900 S \* 1/2016 Sheppard ..... D6/661  
9,228,742 B2 \* 1/2016 Akiyama ..... F23D 14/02  
D748,768 S \* 2/2016 Stanton ..... D23/343  
D752,905 S \* 4/2016 Healy ..... D6/657  
D753,930 S \* 4/2016 Vengadkrishnan ..... D6/514  
D757,350 S \* 5/2016 Levy ..... D26/121  
D758,766 S \* 6/2016 Kirar ..... D6/668.2  
D759,997 S \* 6/2016 Ruiz ..... D6/675.1  
D767,752 S \* 9/2016 Davis ..... D23/403  
D767,753 S \* 9/2016 Edmund ..... D23/407  
D767,921 S 10/2016 Burden  
D768,413 S \* 10/2016 Huang ..... D6/671  
D773,862 S \* 12/2016 Davis ..... D6/661  
D775,866 S \* 1/2017 Ben Avi ..... D6/657  
D777,479 S \* 1/2017 Anderson ..... D6/675.1  
D778,641 S \* 2/2017 Anderson ..... D6/675.1  
D778,646 S \* 2/2017 Davis ..... D6/699  
D783,324 S \* 4/2017 Akana ..... D6/691.1  
D791,302 S \* 7/2017 Davis ..... D23/403  
D791,522 S \* 7/2017 Rafieha ..... D6/689  
D792,132 S \* 7/2017 Peota ..... D6/675  
D798,640 S \* 10/2017 Anderson ..... D6/712  
D804,861 S \* 12/2017 Failing ..... D6/655.1  
D807,671 S \* 1/2018 Caillouet ..... D6/708  
D808,203 S \* 1/2018 Davis ..... D6/675.3  
D808,688 S \* 1/2018 Everson ..... D6/657  
D808,690 S \* 1/2018 Hsu ..... D6/675.2  
D812,938 S \* 3/2018 Moore ..... D6/675.1  
D814,410 S \* 4/2018 Emslie ..... D13/108  
D815,465 S 4/2018 Hannoosh  
D817,037 S \* 5/2018 Davis ..... D6/657  
D817,038 S \* 5/2018 Davis ..... D6/657  
D817,040 S \* 5/2018 Davis ..... D6/661  
D817,668 S 5/2018 Davis  
D818,750 S \* 5/2018 Hannoosh ..... D6/686  
D821,038 S \* 6/2018 Rathman ..... D30/114  
D824,703 S \* 8/2018 Yamamoto ..... D6/675.1  
D825,233 S \* 8/2018 Yamamoto ..... D6/675.1  
D825,959 S \* 8/2018 Rockwell ..... D6/675.3  
D833,782 S \* 11/2018 Amacher, Jr. .... D6/675.4  
D835,437 S \* 12/2018 Stukenberg ..... D6/675  
D835,925 S \* 12/2018 Denby ..... D6/675  
D838,520 S 1/2019 Knox  
D838,523 S \* 1/2019 Yamamoto ..... D6/675.1  
D843,756 S \* 3/2019 Johnson ..... D6/675  
D845,041 S \* 4/2019 Davis ..... D6/675  
D845,679 S \* 4/2019 Li ..... D6/656  
D845,683 S \* 4/2019 Pedersen ..... D6/675  
D848,766 S \* 5/2019 Chen ..... D6/657  
D848,767 S \* 5/2019 Smrstick ..... D6/657  
D848,768 S \* 5/2019 Johnson ..... D6/662.1  
D848,770 S \* 5/2019 Davis ..... D6/675.1  
D849,457 S \* 5/2019 Kundig ..... D6/671  
D850,815 S \* 6/2019 Nicoll ..... D6/559  
D851,426 S \* 6/2019 Saotome ..... D6/663  
D852,429 S 6/2019 Rathman  
D853,052 S 7/2019 Rathman  
D856,038 S 8/2019 Parikh  
D856,039 S 8/2019 Parikh  
D858,148 S \* 9/2019 Crutcher ..... D6/661  
D859,038 S \* 9/2019 Davis ..... D6/675  
D860,687 S \* 9/2019 Parikh ..... D6/655.1  
D866,225 S 11/2019 Gelman  
10,473,335 B2 11/2019 Nemes et al.  
D869,202 S \* 12/2019 Davis ..... D6/671  
D870,492 S 12/2019 Young  
D870,493 S \* 12/2019 Young ..... D6/663  
D874,192 S \* 2/2020 Velez ..... D6/671.1  
D878,116 S \* 3/2020 Davis ..... D6/675.1  
D878,817 S 3/2020 Davis  
D879,516 S \* 3/2020 Davis ..... D6/657  
D882,989 S \* 5/2020 Davis ..... D6/661  
D885,091 S 5/2020 Davis

(56)

References Cited

U.S. PATENT DOCUMENTS

D886,499 S \* 6/2020 Davis ..... D6/691.9  
 D888,467 S 6/2020 Li  
 D891,831 S \* 8/2020 Davis ..... D6/675.1  
 D894,641 S 9/2020 Davis  
 D900,510 S 11/2020 Davis  
 D904,082 S 12/2020 Davis  
 D904,801 S 12/2020 Davis  
 D904,802 S 12/2020 Davis  
 D904,803 S 12/2020 Davis  
 D904,804 S 12/2020 Davis  
 D906,020 S 12/2020 Davis  
 D906,021 S 12/2020 Davis  
 D908,404 S 1/2021 Davis  
 D908,405 S \* 1/2021 Davis ..... D6/661  
 D909,797 S \* 2/2021 Davis ..... D6/657  
 D914,400 S \* 3/2021 Davis ..... F24C 7/004  
 D922,798 S 6/2021 Packer  
 D922,799 S 6/2021 Davis  
 D926,500 S 8/2021 Davis  
 D927,898 S 8/2021 Davis  
 D931,662 S 9/2021 Davis  
 D935,237 S 11/2021 Davis  
 2004/0074858 A1 \* 4/2004 Thuma ..... D06F 57/00  
 2004/0079714 A1 \* 4/2004 Andrew ..... H01M 50/20  
 2004/0160087 A1 8/2004 Tiesler  
 2004/0222721 A1 \* 11/2004 Kelley ..... A47B 81/06  
 2004/0237853 A1 \* 12/2004 Sholz ..... A47B 96/1441  
 2007/0138119 A1 \* 6/2007 Schwerdlin ..... D06F 57/10  
 2007/0236113 A1 \* 10/2007 McCambridge ..... E06B 3/367  
 2008/0203042 A1 \* 8/2008 Felsenthal ..... A47B 47/027  
 2008/0216817 A1 \* 9/2008 Yungbluth ..... F24C 3/085  
 2009/0025414 A1 \* 1/2009 Koga ..... F24F 1/0063  
 2009/0151375 A1 \* 6/2009 Tarr ..... F25D 11/025  
 2009/0170421 A1 \* 7/2009 Adrian ..... F24F 13/06  
 2009/0220221 A1 \* 9/2009 Zhou ..... F24C 7/004  
 2010/0307179 A1 \* 12/2010 Fava ..... F24F 13/20  
 2011/0000477 A1 \* 1/2011 Kwon ..... F24C 3/08  
 2011/0012481 A1 \* 1/2011 Becker ..... A47B 81/06  
 2011/0017691 A1 \* 1/2011 Wu ..... A47B 47/005  
 2011/0079688 A1 \* 4/2011 Grove ..... F16M 11/38  
 2011/0080261 A1 \* 4/2011 Asofsky ..... F24C 7/004  
 2011/0120166 A1 \* 5/2011 Nadel ..... F24F 1/027  
 2011/0220090 A1 \* 9/2011 Atemboski ..... F24B 1/026  
 2013/0052388 A1 \* 2/2013 Burrows ..... E06B 3/74  
 2014/0116418 A1 \* 5/2014 Thomas ..... F24C 3/006  
 2014/0239136 A1 \* 8/2014 Ortega ..... A47B 13/06  
 2014/0252939 A1 \* 9/2014 Tunzi ..... A47B 57/08

2014/0265754 A1 \* 9/2014 Patterson ..... A63H 19/36  
 2014/0265807 A1 \* 9/2014 Kendall ..... F25D 25/021  
 2014/0318529 A1 \* 10/2014 Nielsen ..... F24B 1/198  
 2015/0027349 A1 \* 1/2015 Kahle ..... A47B 83/045  
 2015/0182021 A1 \* 7/2015 Chang ..... A47B 81/06  
 2015/0323190 A1 \* 11/2015 Stein ..... A47J 37/0658  
 2016/0018112 A1 \* 1/2016 Phillips ..... H05B 6/062  
 2016/0100698 A1 \* 4/2016 Clark ..... A47F 3/001  
 2016/0157605 A1 \* 6/2016 Grad ..... A47B 96/062  
 2016/0195277 A1 \* 7/2016 Li ..... F24C 7/004  
 2016/0209102 A1 \* 7/2016 Vulava ..... E05D 15/00  
 2016/0223213 A1 \* 8/2016 Grohova ..... F24F 13/28  
 2016/0256032 A1 \* 9/2016 Bhajak ..... A47L 15/507  
 2017/0089587 A1 \* 3/2017 Nemes ..... F24C 7/004  
 2017/0211814 A1 \* 7/2017 Bourne ..... F24C 7/004  
 2018/0029270 A1 2/2018 Hepler  
 2018/0053974 A1 2/2018 Lee  
 2018/0064246 A1 \* 3/2018 Kassanoff ..... H05K 5/0017  
 2021/0088221 A1 \* 3/2021 Crowe ..... F24C 15/06

FOREIGN PATENT DOCUMENTS

EM 003254200-0003 6/2016  
 EM 005646783-0006 9/2018  
 GB 6041896 8/2018

OTHER PUBLICATIONS

“Woven Paths 32-inch Sliding Slat Door Accent Cabinet.” Found online Jun. 30, 2021 at [www.walmart.com](http://www.walmart.com). Product reviewed Sep. 14, 2019. Retrieved from URL: <https://tinyurl.com/2bsjztvy> (Year: 2019).\*

“Manor Park 32-inch Sliding Door Accent Cabinet.” Found online Jun. 30, 2021 at [www.amazon.com](http://www.amazon.com). Product first available Nov. 14, 2019. Retrieved from URL: <https://www.amazon.com/Manor-Park-Sliding-Accent-Cabinet/dp/B081G5JCHX> (Year: 2019).\*

“HOMECHO Farmhouse Storage Cabinet.” Found online Jun. 30, 2021 at [www.amazon.com](http://www.amazon.com). Product first available Oct. 7, 2020. Retrieved from URL: <https://tinyurl.com/9f2yj8ks> (Year: 2020).\*

“HOMCOM Rustic Farmhouse Accent Side Cabinet .” Found online Jun. 30, 2021 at [www.amazon.com](http://www.amazon.com). Product first available Jan. 20, 2021. Retrieved from URL: <https://tinyurl.com/ntzeu7ey> (Year: 2021).\*

60" Victor TV Console; <https://www.pinterest.com/pin/33636328453466237/>; Retrieved on Apr. 11, 2018.‡

60" Jacklyn TV Console; <https://www.pinterest.com/pin/33636328451628908/>; Retrieved on Apr. 16, 2018.‡

48" Radcliff Buffet; <https://www.walkerredison.com/buffet-52-console-table.html>; Retrieved on Jul. 19, 2018.‡

70" Tiered Top Open Shelf Fireplace; <https://www.wayfair.com/furniture/pdp/real-flame-calie-tv-stand-for-tvs-up-to-48-inches-with-electric-fireplace-included-jfp1647.html>; Retrieved on Jan. 10, 2018.‡

58" Lincoln Console; <https://www.pinterest.com/pin/312366924137895643/>; Retrieved on Aug. 9, 2018.‡

58" Lincoln Console; [https://www.miniforms.com/en/products/4\\_buffet-and-cabinet/105\\_edge/#f](https://www.miniforms.com/en/products/4_buffet-and-cabinet/105_edge/#f); Retrieved on Aug. 9, 2018.‡

60" Tiered Top Console; <https://www.wayfair.com/furniture/pdp/real-flame-calie-tv-stand-for-tvs-up-to-48-inches-with-electric-fireplace-included-jfp1647.html>; Retrieved on Dec. 12, 2019.‡

Notice of Allowance for U.S. Appl. No. 29/699,063, dated Sep. 2, 2020.‡

Notice of Allowance for U.S. Appl. No. 29/699,066, dated Sep. 11, 2020.‡

(56)

## References Cited

## OTHER PUBLICATIONS

Notice of Allowance for U.S. Appl. No. 29/699,071, dated Sep. 4, 2020.‡

Foundry Select Arsenault Coffee Table, www.wayfair.ca [online]. Published on or before Aug. 2020, [retrieved on Aug. 11, 2020], Retrieved from the Internet: <URL:https://www.wayfair.ca/furniture/pdp/fou ndry-select-arsenault-coffee-table-c003159996.html>(Year: 2020).‡

Office Action for U.S. Appl. No. 29/677,761, dated Sep. 1, 2020.‡  
Notice of Allowance for U.S. Appl. No. 29/698,942, dated Sep. 15, 2020.‡

Notice of Allowance for U.S. Appl. No. 29/699,073, dated Sep. 16, 2020.‡

Office Action for U.S. Appl. No. 29/698,924, dated Sep. 16, 2020.‡

Notice of Allowance for U.S. Appl. No. 29/677,738, dated Sep. 15, 2020.‡

Notice of Allowance for U.S. Appl. No. 29/677,723, dated Sep. 15, 2020.‡

Rustic Farmhouse Corner TV Stand With Barn Doors, Little Rustic Shop, site visited Aug. 24, 2020, available online at https://littlerusticshop.com/collections/frontpage/products/rustic-farmhouse-corner-tv-stand-with-barn-doors (Year: 2020).‡

Notice of Allowance for U.S. Appl. No. 29/698,940, dated Aug. 28, 2020.‡

White Eliza TV Stand With Fireplace Insert, Owens Home Furnishings, site visited Aug. 25, 2020, available online at https://www.owensfurniture.com/eliza-white-barn-door-tv-stand-70/ (Year: 2020).‡

Office Action for U.S. Appl. No. 29/698,942, dated Aug. 31, 2020.‡

Office Action for U.S. Appl. No. 29/698,947, dated Aug. 31, 2020.‡

Foundry Arsenault End Table, www.wayfair.com [online]. Published on or before Aug. 15, 2020, [retrieved on Aug. 15, 2020], Retrieved from the Internet: <URL:https://www.wayfair.ca/furniture/pdp/foundry-select-arsenault-4-legs-end-table-c003160002.html?piid=321664365403> (Year: 2020).‡

Office Action for U.S. Appl. No. 29/698,928, dated Aug. 28, 2020.‡

Office Action for U.S. Appl. No. 29/677,755, dated Aug. 27, 2020.‡

Calie Tv Stand for TVs up to 48 inches with Electric Fireplace Included; Wayfair.com; https://www.wayfair.com/furniture/pdp/real-flame-calie-tv-stand-for-tvs-up-to-48-inches-with-electric-fireplace-included-jfp1647.html; Retrieved on Jan. 10, 2018.‡

Media Console with Electric Fireplace, image post date Dec. 6, 2015, site visited Aug. 8, 2016, (online), <http://www.overstock.com/Home-Garden/Media-Console-with-Electric-Fireplace-in-Barnwood/10309735/product.html?recset=05953330-aaa1-4640-a796-f225c2f8176d&refccid=MRISGBB2MZGZXYKK4EFVI25H6Q&recalg=809,828,512&recidx=1#reviews.>‡

Electric fireplace, image post date May 26, 2014, site visited Aug. 8, 2016, (online), <https://www.tineye.com/search/3c3d0cbfb7030b3079ebefa0774a5b4e94120332/?pluginver.>‡

Notice of Allowance for U.S. Appl. No. 29/677,724, dated Sep. 30, 2020.‡

Notice of Allowance for U.S. Appl. No. 29/721,435, dated Sep. 29, 2020.‡

Notice of Allowance for U.S. Appl. No. 29/720,923, dated Sep. 30, 2020.‡

Notice of Allowance for U.S. Appl. No. 29/699,071, dated Sep. 30, 2020.‡

Notice of Allowance for U.S. Appl. No. 29/677,738, dated Sep. 29, 2020.‡

Notice of Allowance for U.S. Appl. No. 29/720,732; dated Sep. 29, 2020.‡

Notice of Allowance for U.S. Appl. No. 29/677,723, dated Sep. 29, 2020.‡

Corrected Notice of Allowance for U.S. Appl. No. 29/698,942, dated Sep. 23, 2020.‡

“Vasagle Glatal Glass Coffee Table.” Found online Sep. 30, 2020 atwww.amazon.com. Product first available May 1, 2020. Retrieved from URL: https://tinyurl.com/yxvuv2rf (Year: 2020).‡

“Henn and Hart Coffe Table.” Found online Sep. 30, 2020 atwww.amazon.com. Product first available Jan. 20, 2019. Retrieved from

URL: https://www.amazon.com/-/es/Henn-Hart-talla-%C3%BAnica-color/dp/B07N8RRPT5/ref=psdc\_3733631\_t5\_B07CYML1LF (Year: 2019).‡

Office Action for U.S. Appl. No. 29/699,078, dated Oct. 6, 2020.‡  
Notice of Allowance for U.S. Appl. No. 29/720,923, dated Oct. 28, 2020.‡

Notice of Allowance for U.S. Appl. No. 29/677,755, dated Oct. 27, 2020.‡

Lorraine TV Stand for TVs up to 60" Retrieved online Nov. 3, 2020; from URL: https://www.wayfair.com/furniture/pdp/three-posts-loorraine-tv-stand-for-tvs-up-to-60-w001527559.html.‡

Notice of Allowance for U.S. Appl. No. 29/756,763, dated Dec. 22, 2020.‡

Notice of Allowance for U.S. Appl. No. 29/677,761, dated Dec. 22, 2020.‡

Notice of Allowance for U.S. Appl. No. 29/699,078, dated Jan. 28, 2021.‡

Notice of Allowance for U.S. Appl. No. 29/720,732; dated Jan. 25, 2021.‡

Notice of Allowance for U.S. Appl. No. 29/698,928, dated Dec. 11, 2020.‡

Notice of Allowance for U.S. Appl. No. 29/698,924, dated Dec. 18, 2020.‡

Notice of Allowance for U.S. Appl. No. 29/698,947, dated Dec. 10, 2020.‡

Notice of Allowance for U.S. Appl. No. 29/654,930, dated Dec. 10, 2020.‡

Alcott Hill TV Stand with Fireplace; Wayfair.com; found online Apr. 21, 2021; retrieved May 5, 2021 (online); https://www.wayfair.com/furniture/pdp/alcott-hill-santa-tv-stand-for-tvs-up-to-70-with-fireplace-included-w001442995.html?piid=1644522337.‡

West Elm Website “furniture” search; Westelm.com; retrieved Apr. 20, 2020 (online); https://www.westelm.com/shop/furniture/?searchredir=true&cmsp=HeaderLinks\_-\_OnsiteSearch\_-\_MainSite&cmttype=OnsiteSearch&term=furniture&searchredirtype=br.‡

Raymour Flanigan Website “Living Rooms” search; raymourflanigan.com; retrieved Nov. 6, 2020 (online); https://raymourflanigan.com/living-rooms.‡

Crate and Barrel Website “Business Interior Design” search; crateandbarrel.com; retrieved Nov. 6, 2020 (online); https://www.crateandbarrel.com/trade-program/?a=784&campaignid=1061902950&adgroupid=55881134521&targetid=aud-1097585102856:kwd-415008832538&adpos=&creative=251673559670&device=c&matchtype=e&network=g&glid=CjOKCQjwytOEBhD5ARIsANnRjVgCRKANmeP5yMquG6rsNP7KAU-nUpzG5NfgZU-PhRCRUgz507ttMaAhvLEALwwcB.‡

Crate and Barrel Website “Business Office Design” search; crateandbarrel.com; retrieved Nov. 6, 2020 (online); https://www.crateandbarrel.ca/trade-program/.‡

Penny Mustard Website “Bridgeport” search; pennymustard.com; retrieved May 13, 2020 (online); https://www.pennymustard.com/search.inc?q=bridgeport&p=1.‡

Home Living Furniture Website “coaster furniture, bridgeport, servers” search; homelivingfurniture.com; retrieved May 13, 2020 (online); https://www.homelivingfurniture.com/st/t\_/105525.‡

Whitley Furniture Website “dining room, gat-creek, curio cabinets, bridgeport” search; whitleygalleries.com; retrieved May 13, 2020 (online); https://www.whitleygalleries.com/gat-creek-bridgeport-four-door-cabinet/81593-1137/iteminformation.aspx.‡

Oak Finish 70-Inch TV Stand, https://www.inspireq.com/products/oak-finish-tv-stand-e976ak-t, retrieved Jun. 2, 2021.‡

Grey Wash Finish TV Stand, https://www.inspireq.com/collections/living-room/products/grey-wash-finish-tv-stand-with-door-e975gat, retrieved Jun. 2, 2021.‡

Matte Black Finish Metal Coat Rack with Ladder Shelf, https://www.inspireq.com/collections/home-decor/products/matte-black-finish-metal-coat-rack-with-ladder-shelf-e824bk, retrieved Jun. 2, 2021.‡

Sadie Low Bookshelf, https://www.homethreads.com/products/furniture/tv-stands/sadie-low-8BBTK412Sloak?gclid=CjwKCAjwJ2FBhAuEiwAIKul9o3PBxz3p9PodtUUqKh6fPIHib\_

(56)

## References Cited

## OTHER PUBLICATIONS

PGIuIJBjNuddyHp8BBTK412S1 BoCgOoQAvD\_BwE, retrieved Jun. 2, 2021, available on information and believe as early as Aug. 2013.‡

Bolderberg Console; Wayfair.com; found online Apr. 21, 2021; retrieved May 5, 2021 (online); <https://www.wayfair.com/furniture/pdp/winston-porter-bolderberg-tv-stand-for-tvs-up-to-78-w003404204.html?placement=1>.‡

Himrod TV Stand; Wayfair.com; found online Apr. 21, 2021; retrieved May 5, 2021 (online); <https://www.wayfair.com/furniture/pdp/loon-peak-himrod-tv-stand-for-tvs-up-to-78-w004412411.html>.‡

Mouton TV Stand; Wayfair.com; found online Apr. 21, 2021; retrieved May 5, 2021 (online); <https://www.wayfair.com/furniture/pdp/foundry-select-mouton-tv-stand-for-tvs-up-to-78-w001812510.html>.‡

Humphery TV Stand; Google Search; Wayfair.com; found online Apr. 21, 2021; retrieved May 10, 2021 (online); <https://www.hickoryfurniture.com/itembrowser.aspx?action=attribute&itemtype=furniture&event=reset&wsearch=bridgeport>.‡

Vigue TV Stand; Wayfair.com; found online Apr. 21, 2021; retrieved May 5, 2021 (online); <https://www.wayfair.com/furniture/pdp/foundry-select-vigue-tv-stand-for-tvs-up-to-78-w002881900.html>.‡

Gorete TV Stand; Wayfair.com; found online Apr. 21, 2021; retrieved May 5, 2021 (online); <https://www.wayfair.com/furniture/pdp/latitude-run-gorete-tv-stand-for-tvs-up-to-78-w004589072.html>.‡

Annaliece TV Stand; Wayfair.com; found online Apr. 21, 2021; retrieved May 5, 2021 (online); <https://www.wayfair.com/furniture/pdp/red-barrel-studio-annaliece-tv-stand-for-tvs-up-to-78-w004115724.html>.‡

Straughn TV Stand; Wayfair.com; found online Apr. 21, 2021; retrieved May 5, 2021 (online); <https://www.wayfair.com/furniture/pdp/gracie-oaks-straughn-tv-stand-for-tvs-up-to-78-w004455598.html>.‡

Strausstown TV Stand; Wayfair.com; found online Apr. 21, 2021; retrieved May 5, 2021 (online); <https://www.wayfair.com/furniture/pdp/gracie-oaks-strausstown-tv-stand-for-tvs-up-to-78-w004458013.html>.‡

Adcock TV Stand; Wayfair.com; found online Apr. 21, 2021; retrieved May 5, 2021 (online); <https://www.wayfair.com/furniture/pdp/andover-mills-adcock-tv-stand-for-tvs-up-to-78-w004124702.html?placement=7>.‡

Gaudreau TV Stand; Wayfair.com; found online 04-21-2022; retrieved May 5, 2021 (online); <https://www.wayfair.com/furniture/pdp/red-barrel-studio-gaudreau-solid-wood-tv-stand-for-tvs-up-to-78-qdy2069.html>.‡

San Carlos Imports San Felipe TV Stand, available on information and believe as early as Dec. 2015.‡

Aspen Antique Multi Color 76" TV Stand, <https://www.pinterest.com/pin/315040936427682950/>, retrieved Jun. 2, 2021, available on information and believe as early as Dec. 2015.‡

San Carlos 65" Rustic TV Stand with Cross, <https://www.sancarlosimports.com/rustic-tv-stand-cross.html>, retrieved Jun. 2, 2021, available on information and believe as early as Dec. 2015.‡

Laredo Rustic 60" TV Stand, <https://www.pinterest.com/pin/37295503137850917/>, retrieved Jun. 2, 2021, available on information and believe as early as Dec. 2015.‡

San Carlos 48" TV Stand, <https://www.sancarlosimports.com/sanca48mtvs.html>, retrieved Jun. 2, 2021, available on information and believe as early as Dec. 2015.‡

Mountain Modern Cabinet, available on information and believe as early as Oct. 2015.‡

Safavieh American Homes Collection Sadie Low Bookshelf, Oak, retrieved from <https://www.amazon.com/Safavieh-AMH6525C-American-Collection-Bookshelf/dp/BOOMMBHHVK> on Jun. 3, 2021.‡

Safavieh American Homes Collection Sadie Off White Low Bookshelf, found online on May 12, 2021 at [https://www.amazon.com/dp/BO04LGP9FO/ref=cm\\_sw\\_su\\_dp?tag=50kUSD03-20&th=1](https://www.amazon.com/dp/BO04LGP9FO/ref=cm_sw_su_dp?tag=50kUSD03-20&th=1), retrieved Jun. 3, 2021.‡

Safavieh Sadie Low Bookshelf, found online at <https://web.archive.org/web/20150327201221/https://safavieh.com/furniture/bookcases/amh6525c>, retrieved Jun. 3, 2021, available on information and belief as early as Mar. 27, 2015.‡

Safavieh Sadie Country Nautical Low Bookshelf, found online on May 10, 2021 at <https://www.walmart.com/ip/Safavieh-Sadie-Country-Nautical-Low-Bookshelf/37549808?selected=true>, retrieved Jun. 3, 2021.‡

UHURU Furniture & Collectibles Long Low Wooden Bookcase, found online at <https://uhurufurniture.blogspot.com/2011/08/long-low-wooden-bookcase-90.html>, retrieved Jun. 3, 2021, available on information and belief as early as Aug. 17, 2011.‡

Woven Paths Open Storage TV Stand for TVs up to 80", Espresso, found online on May 10, 2021 at <https://www.walmart.com/ip/Woven-Paths-Open-Storage-TV-Stand-for-TVs-up-to-80-Espresso/411955245>, retrieved Jun. 3, 2021.‡

Rogue Engineer, DIY Rustic Media Center, <https://rogueengineer.com/diy-rustic-media-center-plans/>, retrieved Jun. 2, 2021, available on information and believe as early as Jul. 2015.‡

Ameriwood Home Bloomfield Natural/Heritage Light Pine TV Stand, <https://www.lowes.com/pd/Ameriwood-Home-Bloomfield-TV-Stand-for-TVs-up-to-60-in-Natural/1003087852>, retrieved Jun. 2, 2021.‡

Custom 9-Foot Rustic Buffet, <https://www.pinterest.com/pin/40250990400157640/>, retrieved Jun. 2, 2021, available on information and believe as early as Jan. 2017.‡

Sauder Dakota Pass Credenza, [https://us.amazon.com/dp/BO1GK8VWPC/ref=sbl\\_dp\\_x\\_B07LGGGCFQ\\_0](https://us.amazon.com/dp/BO1GK8VWPC/ref=sbl_dp_x_B07LGGGCFQ_0), retrieved Jun. 2, 2021, available on information and believe as early as Mar. 2016.‡

Aspen Antique Red 64" TV Stand, <https://www.sancarlosimports.com/asanredtvst.htm>, retrieved Jun. 2, 2021, available on information and believe as early as Dec. 2015.‡

San Carlos Imports Santiago TV Stand, available on information and believe as early as Dec. 2015.‡

Ameriwood Home Farmington Electric Fireplace TV Console for TVs up to 60", Rustic, [https://www.amazon.com/Ameriwood-Home-Farmington-Electric-Fireplace/dp/B01JADQ52/ref=dppsubs\\_1?pd\\_rd\\_i=B01JADQ52&psc=1](https://www.amazon.com/Ameriwood-Home-Farmington-Electric-Fireplace/dp/B01JADQ52/ref=dppsubs_1?pd_rd_i=B01JADQ52&psc=1), retrieved Jun. 2, 2021, available on information and believe as early as Jul. 2016.‡

Farmington 60 in. Century Barn Pine Wood TV Stand with 2 Drawer Fits TVs Up to 60 in. with Storage Doors, [https://www.homedepot.com/pep/Altra-Furniture-Farmington-60-in-Century-Barn-Pine-Wood-TV-Stand-with-2-Drawer-Fits-TVs-Up-to-60-in-with-Storage-Doors-1783215PCOM/300318849?source=shoppingads&locale=en-US&mtc=Shopping-BA-F\\_HDH-G-D59-59\\_34\\_INTERIOR\\_FURNITURE-MULTI-NA-Feed-PLA-NA-NA-059\\_034\\_006\\_HOME\\_ENTERTAINMENT\\_FURN\\_Home\\_Entertainment&cm\\_mmc=Shopping-BA-F\\_HDH-G-D59-59\\_34\\_INTERIOR\\_FURNITURE-MULTI-NA-Feed-PLA-NA-NA-059\\_034\\_006\\_HOME\\_ENTERTAINMENT\\_FURN\\_Home-Entertainment-7170000051494672-58700004993904823-92700061190272430&gclid=CjwKCAjwTJ2FBhAuEiwAIKu19pVm9Q\\_uSEY88T0eOkNffZ81AfWHtpcxTuqczP5-EYfeixW15ejtLxoCh\\_QQAvD\\_BwE&gclid=aw.ds](https://www.homedepot.com/pep/Altra-Furniture-Farmington-60-in-Century-Barn-Pine-Wood-TV-Stand-with-2-Drawer-Fits-TVs-Up-to-60-in-with-Storage-Doors-1783215PCOM/300318849?source=shoppingads&locale=en-US&mtc=Shopping-BA-F_HDH-G-D59-59_34_INTERIOR_FURNITURE-MULTI-NA-Feed-PLA-NA-NA-059_034_006_HOME_ENTERTAINMENT_FURN_Home_Entertainment&cm_mmc=Shopping-BA-F_HDH-G-D59-59_34_INTERIOR_FURNITURE-MULTI-NA-Feed-PLA-NA-NA-059_034_006_HOME_ENTERTAINMENT_FURN_Home-Entertainment-7170000051494672-58700004993904823-92700061190272430&gclid=CjwKCAjwTJ2FBhAuEiwAIKu19pVm9Q_uSEY88T0eOkNffZ81AfWHtpcxTuqczP5-EYfeixW15ejtLxoCh_QQAvD_BwE&gclid=aw.ds), retrieved Jun. 2, 2021, available on information and believe as early as Dec. 2015.‡

DIY Media Console—Free Plans, <https://www.shanty-2-chic.com/2015/07/diy-media-console-free-plans.html>, retrieved Jun. 2, 2021, available on information and believe as early as Jul. 2015.‡

DIY Barn Door Media Console, <https://www.shanty-2-chic.com/2014/06/diy-barn-door-media-console.html>, retrieved Jun. 2, 2021, available on information and believe as early as Jun. 2014.‡

Joss & Main TV Stand, available on information and believe as early as Jul. 2015.‡

The Gray Barn Ansley Media Console; Overstock.com; found online Apr. 21, 2021; retrieved May 4, 2021 (online); <https://www.overstock.com/Home-Garden/Entertainment-Centers/2029/subcat.html?featuredproduct=31934591>.‡

Barn Door Rustic TV Stand; Overstock.com; found online Apr. 21, 2021; retrieved May 4, 2021 (online); <https://www.overstock.com/>

(56)

**References Cited**

## OTHER PUBLICATIONS

Home-Garden/TV-Stand-for-TVs-up-to-60-inches/30841493/product.html?TID=PDP%3AAsimilarItemsCarousel%3Aclick&recalg=954%2C930&recidx=0&recset=0f33724c-aeb3-4523-8c14-9d784eb7cf87&refccid=GRRWJGIVNYN LCD2OLNZIHD3SPQ.‡

Ktaxon 58' Farmhouse TV Stand; Walmart.com; found online Apr. 21, 2021; retrieved May 4, 2021 (online); <https://www.walmart.com/ip/Ktaxon-58-Farmhouse-TV-Stand-TVs-60-Sliding-Wood-Barn-Door-Media-Console-Storage-Cabinet-Rustic-Gray-Wash-Entertainment-Center-Living-Room/671965194>.‡

Sekey Home Sliding Barn Door TV Stand; Walmart.com; found online Apr. 21, 2021; retrieved May 4, 2021 (online); <https://www.walmart.com/ip/Sekey-Home-Sliding-Barn-Door-TV-Stand-Entertainment-Center-TV-Console-for-58-for-Flat-Screen-TV-s-Up-to-65-Light-Oak/458659151>.‡

Wrangler Sliding Barn Door TV Stand; Walmart.com; found online Apr. 21, 2021; retrieved May 4, 2021 (online); <https://www.walmart.com/ip/pamari-tc54-6127-tpg03-wrangler-sliding-barn-door-tv-stand-off-white/232902955>.‡

UBesGoo Wooden TV Stand; Walmart.com; found online Apr. 21, 2021; retrieved May 5, 2021 (online); <https://www.walmart.com/ip/UBesGoo-Wooden-58-TV-Stand-for-TVs-up-to-60-with-Sliding-Wood-Barn-Door-Media-Console-Storage-Cabinet-for-Living-Room-Bedroom-Rustic-Gray-Wash/i52098747>.‡

Sliding Barn Door Television Stand; Amazon.com; found online Apr. 21, 2021; retrieved May 4, 2021 (online); [https://www.amazon.com/Home-Accent-Furnishings-Sliding-Television/dp/B07DKX44QQ/ref=sr\\_1\\_6?dchild=1&keywords=sliding+barn+door+tv+stand&qid=1603301187&sr=8-6](https://www.amazon.com/Home-Accent-Furnishings-Sliding-Television/dp/B07DKX44QQ/ref=sr_1_6?dchild=1&keywords=sliding+barn+door+tv+stand&qid=1603301187&sr=8-6).‡

Farmhouse Sliding Barn Door TV Stand; Amazon.com; found online Apr. 21, 2021; retrieved May 4, 2021 (online); 2021 (online); [https://www.amazon.com/Rainbow-SophiaSliding/dp/B081VWRSLK/ref=sr\\_1\\_2?dchild=1&keywords=sliding+barn+door+tv+stand&qid=160330187&sr=8-2](https://www.amazon.com/Rainbow-SophiaSliding/dp/B081VWRSLK/ref=sr_1_2?dchild=1&keywords=sliding+barn+door+tv+stand&qid=160330187&sr=8-2).‡

GHQME Sliding Barn Door TV Stand; Amazon.com; found online Apr. 21, 2021; retrieved May 4, 2021 (online); [https://www.amazon.com/GHQME-Table%EF%B C%8CWood-Universal-Stand%EF%Bc%8CLiving-Entertainment/dp/B083BJR9YF/ref=sr\\_lil\\_sspa?dchild=1&keyword=sliding+barn+door+tv+stand&qid=1603301187&sr=8-1-spons&psc=1&spLa=ZW5jenlwdGVkUXVhbGImaWVyPUEExVTAYt1hNVDk1VIVRJMvUy3J5cHRIZEIkPUEwMjgxMjgwMVVKTE5HRkdKROUyTCZlbnNyeXBOZWRBZEIkPUEwNzQ5NzU4M1BENOWyMFPmNUgxQSZ3aWRnZXROYW1lPXNwX2FOZiZlY3Rpb249Y2xpY2tSZWRpcmVjdCZkb05vdExvZONsaWNrPXRydWU=.‡](https://www.amazon.com/GHQME-Table%EF%B C%8CWood-Universal-Stand%EF%Bc%8CLiving-Entertainment/dp/B083BJR9YF/ref=sr_lil_sspa?dchild=1&keyword=sliding+barn+door+tv+stand&qid=1603301187&sr=8-1-spons&psc=1&spLa=ZW5jenlwdGVkUXVhbGImaWVyPUEExVTAYt1hNVDk1VIVRJMvUy3J5cHRIZEIkPUEwMjgxMjgwMVVKTE5HRkdKROUyTCZlbnNyeXBOZWRBZEIkPUEwNzQ5NzU4M1BENOWyMFPmNUgxQSZ3aWRnZXROYW1lPXNwX2FOZiZlY3Rpb249Y2xpY2tSZWRpcmVjdCZkb05vdExvZONsaWNrPXRydWU=.‡)

Pamari Wrangler Sliding Barn Door TV Stand; Amazon.com; found online Apr. 21, 2021; retrieved May 4, 2021 (online); <https://www.amazon.com/dp/B07KSMQH4D/ref=dpcrwdgtitnwmr>.‡

The Gray Barn Berkley TV Stand; Overstock.com; found online Apr. 21, 2021; retrieved May 4, 2021 (online); <https://www.overstock.com/Home-Garden/Convenience-Concepts-Blake-Barn-Door-TV-Stand/28387177/product.html?recalg=954%2C873%2C839&recidx=2&recset=0a8617dc-0d40-4dcf-b57f-7220ec2436da&refccid=2NU DSESYZPU I PJKBLPZR6M7VUE.‡>

Chabelli TV Stand; Wayfair.com; found online Apr. 21, 2021; retrieved May 5, 2021 (online); [https://www.wayfair.com/furniture/pdp/latitude-run-chabelli-tv-stand-for-tvs-up-to-65-w004029827.html?categoryid=1868409&placement=3&slot=5&sponsoredid=bb92fbde3cc952ed7e2c82697812cb88232c512191dad5893e80ad17d6adb05f&\\_txid=1%2FcmXF%2B1T41hnharBpMJA%3D%3D&isB2b=0&auction1d=f9be48b1-Obcd-4aaf-b285-dbb3ea880db5.‡](https://www.wayfair.com/furniture/pdp/latitude-run-chabelli-tv-stand-for-tvs-up-to-65-w004029827.html?categoryid=1868409&placement=3&slot=5&sponsoredid=bb92fbde3cc952ed7e2c82697812cb88232c512191dad5893e80ad17d6adb05f&_txid=1%2FcmXF%2B1T41hnharBpMJA%3D%3D&isB2b=0&auction1d=f9be48b1-Obcd-4aaf-b285-dbb3ea880db5.‡)

Gaither TV Stand; Wayfair.com; found online Apr. 21, 2021; retrieved May 5, 2021 (online); <https://www.wayfair.com/furniture/pdp/alcott-hill-gaither-tv-stand-for-tvs-up-to-65-with-fireplace-included-acot3821.html>.‡

Plazonja TV Stand; Wayfair.com; found online Apr. 21, 2021; retrieved May 5, 2021 (online); <https://www.wayfair.com/furniture/pdp/winston-porter-plazonja-tv-stand-for-tvs-up-to-75-w002590978.html>.‡

Alisse Console; Wayfair.com; found online Apr. 21, 2021; retrieved May 5, 2021 (online); <https://www.wayfair.com/furniture/pdp/ebern-designs-alisee-tv-stand-for-tvs-up-to-78-w002981803.html>.‡

Dunsmuir TV Stand; Wayfair.com; found online Apr. 21, 2021; retrieved May 5, 2021 (online); <https://www.wayfair.com/furniture/pdp/andover-mills-dunsmuir-tv-stand-for-tvs-up-to-78-w002122263.html>.‡

Walker Edison White Oak Sliding Barn Door Media Console; Walmart.com; found online Apr. 21, 2021; retrieved May 5, 2021 (online); [https://www.walmart.com/ip/58-inch-Sliding-Barn-Door-TV-Stand-Media-Console-in-White-Oak/207240611?wpabd=&wpaggseller\\_id\\_203317B21FE947819EB684DAE150ECA5&wpafid=wpags:d\\_OrLoQQieprA9uyaaVHrAzrOtC-Wq7We-HPBeJZ4x2Sw4GpnOlhz5qru9K6SqAW-QcvE3KfQy194-h8-MvmpzeSFJim72C-yCvH2OltMjVOnstG23HBInTx63HkquiB05hGWHy8kVHX1aFLkbyfv2FAVWjeQNq2bWhy9-OQU8KSQFz6QkOVVS145ek5NrhChuAbB5luyXKyBnz7mBFX5QNg0iDbJF\\_agFSWAaOWYLEmcKJRpUROh3rkbe2KNnr4X1\\_but\\_fHWOGMo61GSYxVrdkdPvJOExzLt4pA&wpa\\_tag=&wpa\\_aux\\_info=&wpapos=1&wpaplmt=1145x1145\\_T-C-IG\\_TI\\_1-2\\_HL-INGRID-GRID-NY&wpaauid=5766f3ab-d7ae-4319-80dd-6f96862cee51&wpapg=search&wpapgid=sliding%20barn%20door%20tv%20stand&wpa\\_st=sliding%2Bbarn%2Bdoor%2Btv%2Bstand&wpa\\_tax=4044\\_103150\\_635499\\_2546222&wpabucket=bkt.‡](https://www.walmart.com/ip/58-inch-Sliding-Barn-Door-TV-Stand-Media-Console-in-White-Oak/207240611?wpabd=&wpaggseller_id_203317B21FE947819EB684DAE150ECA5&wpafid=wpags:d_OrLoQQieprA9uyaaVHrAzrOtC-Wq7We-HPBeJZ4x2Sw4GpnOlhz5qru9K6SqAW-QcvE3KfQy194-h8-MvmpzeSFJim72C-yCvH2OltMjVOnstG23HBInTx63HkquiB05hGWHy8kVHX1aFLkbyfv2FAVWjeQNq2bWhy9-OQU8KSQFz6QkOVVS145ek5NrhChuAbB5luyXKyBnz7mBFX5QNg0iDbJF_agFSWAaOWYLEmcKJRpUROh3rkbe2KNnr4X1_but_fHWOGMo61GSYxVrdkdPvJOExzLt4pA&wpa_tag=&wpa_aux_info=&wpapos=1&wpaplmt=1145x1145_T-C-IG_TI_1-2_HL-INGRID-GRID-NY&wpaauid=5766f3ab-d7ae-4319-80dd-6f96862cee51&wpapg=search&wpapgid=sliding%20barn%20door%20tv%20stand&wpa_st=sliding%2Bbarn%2Bdoor%2Btv%2Bstand&wpa_tax=4044_103150_635499_2546222&wpabucket=bkt.‡)

Albright TV Stand; Wayfair.com; found online Apr. 21, 2021; retrieved May 3, 2021 (online); <https://www.wayfair.com/furniture/pdp/three-posts-albright-tv-stand-w003419693.html?placement=1>.‡

Chantell TV Stand; Wayfair.com; found online Apr. 21, 2021; retrieved May 5, 2021 (online); <https://www.wayfair.com/furniture/pdp/latitude-run-chantell-tv-stand-for-tvs-up-to-65-Irun1015.html>.‡

Gainesboro TV Stand; Wayfair.com; found online Apr. 21, 2021; retrieved May 5, 2021 (online); <https://www.wayfair.com/furniture/pdp/winston-porter-gainesboro-tv-stand-for-tvs-up-to-65-w003895133.html>.‡

Albritton TV Stand; Wayfair.com; found online Apr. 21, 2021; retrieved May 5, 2021 (online); <https://www.wayfair.com/furniture/pdp/three-posts-albritton-tv-stand-for-tvs-up-to-65-w003404447.html?placement=1>.‡

Guadalupe TV Stand with Electric Fireplace; Wayfair.com; found online Apr. 21, 2021; retrieved May 4, 2021 (online); <https://www.wayfair.com/furniture/pdp/guadalupe-tv-stand-for-tvs-up-to-65-with-electric-fireplace-included-w003233344.html>.‡

Brianna TV Stand; Wayfair.com; found online Apr. 21, 2021; retrieved May 4, 2021 (online); <https://www.wayfair.com/furniture/pdp/coastal-farmhouse-brianna-tv-stand-for-tvs-up-to-80-w004028674.html>.‡

Fryar TV Stand; Wayfair.com; found online Apr. 21, 2021; retrieved May 4, 2021 (online); <https://www.wayfair.com/furniture/pdp/gracie-oaks-fryar-tv-stand-for-tvs-up-to-75-wOO1713808.html>.‡

Polegate TV Stand; Wayfair.com; found online Apr. 21, 2021; retrieved May 4, 2021 (online); <https://www.wayfair.com/furniture/pdp/three-posts-teen-polegate-tv-stand-for-tvs-up-to-70-w000171190.html>.‡

Brawley TV Stand; Wayfair.com; found online Apr. 21, 2021; retrieved May 4, 2021 (online); <https://www.wayfair.com/furniture/pdp/17-stories-brawley-tv-stand-for-tvs-up-to-65-w004231614.html>.‡

Lorraine TV Stand; Wayfair.com; found online Apr. 21, 2021; retrieved May 4, 2021 (online); <https://www.wayfair.com/furniture/pdp/three-posts-lorraine-tv-stand-for-tvs-up-to-60-wOO1527559.html>.‡

Skofte TV Stand; Wayfair.com; found online Apr. 21, 2021; retrieved May 4, 2021 (online); <https://www.wayfair.com/furniture/pdp/gracie-oaks-skofte-tv-stand-for-tvs-up-to-60-wOO1487399.html>.‡

Miah TV Stand; Wayfair.com; found online Apr. 21, 2021; retrieved May 4, 2021 (online); <https://www.wayfair.com/furniture/pdp/rosalind-wheeler-miah-tv-stand-for-tvs-up-to-60-w002831147.html>.‡

Grendel TV Stand; Wayfair.com; found online Apr. 21, 2021; retrieved May 4, 2021 (online); <https://www.wayfair.com/furniture/pdp/gracie-oaks-grendel-tv-stand-for-tvs-up-to-65-w003337326.html>.‡

(56)

## References Cited

## OTHER PUBLICATIONS

Heger TV Stand; Wayfair.com; found online Apr. 21, 2021; retrieved May 4, 2021 (online); <https://www.wayfair.com/furniture/pdp/gracie-oaks-heger-tv-stand-for-tvs-up-to-65-w002101430.html>. †

Erwine TV Stand; Wayfair.com; found online Apr. 21, 2021; retrieved May 4, 2021 (online); [https://www.wayfair.com/furniture/pdp/gracie-oaks-erwine-tv-stand-for-tvs-up-to-65-w004339905.html?categoryId=1868409&placement=3&slot=4&sponsoredid=0ca938f17db89643b10f637f9b2b9cOdba95bccO9dO9607add3721a8a0b5e2dc&\\_txid=1%FcmXF%2B1T41hnharBpMJAg%3D%3D&isB2b=0&auctionId=f9be48bl-Obcd-4aaf-b285-dbb3ea880db5](https://www.wayfair.com/furniture/pdp/gracie-oaks-erwine-tv-stand-for-tvs-up-to-65-w004339905.html?categoryId=1868409&placement=3&slot=4&sponsoredid=0ca938f17db89643b10f637f9b2b9cOdba95bccO9dO9607add3721a8a0b5e2dc&_txid=1%FcmXF%2B1T41hnharBpMJAg%3D%3D&isB2b=0&auctionId=f9be48bl-Obcd-4aaf-b285-dbb3ea880db5). †

Notice of Allowance for U.S. Appl. No. 29/743,416; dated Apr. 21, 2021. †

Console, Item# W58SGRD Assembly Instructions; found online Jul. 2, 2020; retrieved on May 3, 2021, (online); [https://www.overstock.com/downloads/pdf/1219684877\\_1\\_dbe384b-588a-3260-a4d9-6d3bac52ba4a.pdf](https://www.overstock.com/downloads/pdf/1219684877_1_dbe384b-588a-3260-a4d9-6d3bac52ba4a.pdf). †

Renegar 2 Door Accent Cabinet; Wayfair.com; found online Apr. 21, 2021; retrieved May 3, 2021 (online); <https://www.wayfair.com/furniture/pdp/gracie-oaks-renegar-2-door-accent-cabinet-w001524010.html>. †

Guadalupe TV Stand; Wayfair.com; found online Apr. 21, 2021; retrieved May 4, 2021 (online); <https://www.wayfair.com/furniture/pdp/guadalupe-tv-stand-for-tvs-up-to-65-w003233469.html?piid=848017954>. †

Corsham TV Stand; Wayfair.com; found online Apr. 21, 2021; retrieved May 4, 2021 (online); <https://www.wayfair.com/furniture/pdp/rosalind-wheeler-corsham-tv-stand-for-tvs-up-to-65-w003211663.html>. †

Everitt TV Stand; Wayfair.com; found online Apr. 21, 2021; retrieved May 4, 2021 (online); <https://www.wayfair.com/furniture/pdp/gracie-oaks-everitt-tv-stand-for-tvs-up-to-65-w001524186.html?piid=1788638279>. †

Bridgeport by Hopewood; Found online on Mar. 29, 2021 at <https://hubbingtons.com/product-category/bridgeport-by-hopewood/>. †

Bridgeport Furniture; Found online on Mar. 29, 2021 at [www.flemingtondepartmentstore.com/all/bridgeport/brand-collection.aspx](http://www.flemingtondepartmentstore.com/all/bridgeport/brand-collection.aspx). †

Bridgeport 3-Door Server; Found online on Mar. 29, 2021; Found online at [https://www.belfortfurniture.com/\(X\(1\)\)/item/dining-bridgeport-3-door-server/307396660](https://www.belfortfurniture.com/(X(1))/item/dining-bridgeport-3-door-server/307396660). †

Office Action for U.S. Appl. No. 29/756,763; dated Apr. 12, 2021. †

Gray Barn Wind Gap Sliding Barn Door TV Stand Console, overstock.com, review date with photo from Apr. 8, 2019 & Jul. 10, 2019, <https://www.overstock.com/Home-Garden/The-Gray-Barn-Wind-Gap-Sliding-Barn-Door-TV-Stand-Console/25490525/product.html> (Year: 2019). †

DIY barn door console, Instagram, @sarahashleyallen, Dec. 26, 2016, site visited Nov. 18, 2020, available online at <https://www.instagram.com/p/BOFH8jqgzjK/?taken-by=sarahashleyallen> (Year: 2016). †

DIY Barn Door Hardware, Ana White, Oct. 17, 2018, site visited Nov. 18, 2020, available online at <https://www.ana-white.com/woodworking-projects/diy-barn-door-hardware-washers> (Year: 2018). †

DIY Sliding Barn Door Console, Jaime Costiglio, Jan. 1, 2019, site visited Nov. 18, 2020, available online at <https://jaimecostiglio.com/diy-sliding-barn-door-console-free-plans/> (Year: 2019). †

U.S. Appl. No. 29/756,291, filed Oct. 27, 2020, Davis.

U.S. Appl. No. 29/756,302, filed Oct. 27, 2020, Davis.

U.S. Appl. No. 29/756,303, filed Oct. 27, 2020, Davis.

U.S. Appl. No. 29/756,763, filed Oct. 30, 2020, Davis.

Notice of Allowance for U.S. Appl. No. 29/698,942, dated Nov. 3, 2020.

Notice of Allowance for U.S. Appl. No. 29/699,073, dated Nov. 3, 2020.

Notice of Allowance for U.S. Appl. No. 29/721,435, dated Nov. 3, 2020.

“Alera Angled Doors Oak Wood Black Sideboard” <https://www.decorpad.com/bookmark.htm?bookmarkId=69182> (Retrieved Nov. 12, 2020).

“Linus Base Cabinet w/Double Angled Doors by HABA, 460499\*” <https://gresscoltd.com/linus-base-cabinet-w-double-angled-doors-by-haba-460499.html> (Retrieved Nov. 12, 2020).

“Solid Acacia Wood Canyon Ridge Three Drawer Media TV Console ith Metal Base” <https://www.hootjudkins.com/solid-acacia-wood-canyon-ridge-three-drawer-media-tv-console-with-metal-base> (Retrieved Nov. 12, 2020).

Office Action for U.S. Appl. No. 29/756,291, dated Nov. 23, 2020.

Barn Door Console, @sarahashleyallen on Instagram, Dec. 26, 2016, site visited Nov. 18, 2020, available online at <https://www.instagram.com/p/BOFH8jqgzjK/?taken-by=sarahashleyallen> (Year: 2016).

Office Action for U.S. Appl. No. 29/698,919, dated Nov. 24, 2020.

U.S. Appl. No. 29/611,962, filed Jul. 27, 2017, Davis.

U.S. Appl. No. 29/611,963, filed Jul. 27, 2017, Davis.

U.S. Appl. No. 29/634,946, filed Jan. 25, 2018, Davis.

U.S. Appl. No. 29/634,903, filed Jan. 25, 2018, Davis.

U.S. Appl. No. 29/654,941, filed Jun. 28, 2018, Davis.

U.S. Appl. No. 29/654,935, filed Jun. 28, 2018, Davis.

U.S. Appl. No. 29/654,950, filed Jun. 28, 2018, Davis.

U.S. Appl. No. 29/720,093, filed Jan. 9, 2020, Davis.

U.S. Appl. No. 29/656,499, filed Jul. 12, 2018, Davis.

U.S. Appl. No. 29/656,479, filed Jul. 12, 2018, Davis.

U.S. Appl. No. 29/656,485, filed Jul. 12, 2018, Davis.

U.S. Appl. No. 29/656,486, filed Jul. 12, 2018, Davis.

U.S. Appl. No. 29/656,497, filed Jul. 12, 2018, Davis.

U.S. Appl. No. 29/654,930, filed Jun. 28, 2018, Davis.

U.S. Appl. No. 29/654,936, filed Jun. 28, 2018, Davis.

U.S. Appl. No. 29/654,952, filed Jun. 28, 2018, Davis.

U.S. Appl. No. 29/656,492, filed Jul. 12, 2018, Davis.

U.S. Appl. No. 29/656,489, filed Jul. 12, 2018, Davis.

U.S. Appl. No. 29/634,889, filed Jan. 25, 2018, Davis.

U.S. Appl. No. 29/677,722, filed Jan. 23, 2019, Davis.

U.S. Appl. No. 29/677,723, filed Jan. 23, 2019, Davis.

U.S. Appl. No. 29/677,724, filed Jan. 23, 2019, Davis.

U.S. Appl. No. 29/677,738, filed Jan. 23, 2019, Davis.

U.S. Appl. No. 29/677,755, filed Jan. 23, 2019, Davis.

U.S. Appl. No. 29/677,761, filed Jan. 23, 2019, Davis.

U.S. Appl. No. 29/698,919, filed Jul. 22, 2019, Davis.

U.S. Appl. No. 29/773,569, filed Mar. 10, 2021, Davis.

U.S. Appl. No. 29/698,924, filed Jul. 22, 2019, Davis.

U.S. Appl. No. 29/698,928, filed Jul. 22, 2019, Davis.

U.S. Appl. No. 29/698,940, filed Jul. 22, 2019, Davis.

U.S. Appl. No. 29/699,063, filed Jul. 23, 2019, Davis.

U.S. Appl. No. 29/699,066, filed Jul. 23, 2019, Davis.

U.S. Appl. No. 29/714,849, filed Nov. 26, 2019, Davis.

U.S. Appl. No. 29/699,071, filed Jul. 23, 2019, Davis.

U.S. Appl. No. 29/699,073, filed Jul. 23, 2019, Davis.

U.S. Appl. No. 29/699,078, filed Jul. 23, 2019, Davis.

U.S. Appl. No. 29/698,942, filed Jul. 22, 2019, Davis.

U.S. Appl. No. 29/698,947, filed Jul. 22, 2019, Davis.

U.S. Appl. No. 29/720,729, filed Jan. 15, 2020, Davis.

U.S. Appl. No. 29/720,732, filed Jan. 15, 2020, Davis.

U.S. Appl. No. 29/721,435, filed Jan. 21, 2020, Davis.

U.S. Appl. No. 29/720,734, filed Jan. 15, 2020, Davis.

U.S. Appl. No. 29/720,923, filed Jan. 16, 2020, Davis.

U.S. Appl. No. 29/720,927, filed Jan. 16, 2020, Davis.

U.S. Appl. No. 29/720,942, filed Jan. 16, 2020, Davis.

U.S. Appl. No. 29/720,948, filed Jan. 16, 2020, Davis.

U.S. Appl. No. 29/721,166, filed Jan. 17, 2020, Davis.

U.S. Appl. No. 29/743,237, filed Jul. 20, 2020, Packer.

U.S. Appl. No. 29/743,240, filed Jul. 20, 2020, Packer.

U.S. Appl. No. 29/743,244, filed Jul. 20, 2020, Packer.

U.S. Appl. No. 29/743,246, filed Jul. 20, 2020, Packer.

U.S. Appl. No. 29/743,247, filed Jul. 20, 2020, Packer.

U.S. Appl. No. 29/743,250, filed Jul. 20, 2020, Packer.

U.S. Appl. No. 29/743,416, filed Jul. 21, 2020, Packer.

U.S. Appl. No. 29/743,418, filed Jul. 21, 2020, Packer.

U.S. Appl. No. 29/743,423, filed Jul. 21, 2020, Packer.

U.S. Appl. No. 29/743,584, filed Jul. 22, 2020, Packer.



(56)

## References Cited

## OTHER PUBLICATIONS

U.S. Appl. No. 29/728,971, filed Mar. 23, 2020, Davis.  
 U.S. Appl. No. 29/767,917, filed Jan. 26, 2021, Duhadway.  
 U.S. Appl. No. 29/767,919, filed Jan. 26, 2021, Naylor.  
 U.S. Appl. No. 29/768,116, filed Jan. 27, 2021, Naylor.  
 U.S. Appl. No. 29/785,130, filed May 24, 2021, Duhadway.  
 U.S. Appl. No. 29/785,154, filed May 24, 2021, Duhadway.  
 U.S. Appl. No. 29/794,351, filed Jun. 11, 2021, Naylor.  
 U.S. Appl. No. 29/796,878, filed Jun. 28, 2021, Duhadway.  
 U.S. Appl. No. 29/794,592, filed Jun. 14, 2021, Naylor.  
 U.S. Appl. No. 29/797,119, filed Jun. 29, 2021, Duhadway.  
 U.S. Appl. No. 29/794,596, filed Jun. 14, 2021, Naylor.  
 U.S. Appl. No. 29/794,737, filed Jun. 25, 2021, Duhadway.  
 U.S. Appl. No. 29/796,882, filed Jun. 28, 2021, Duhadway.  
 U.S. Appl. No. 29/794,743, filed Jun. 15, 2021, Duhadway.  
 U.S. Appl. No. 29/801,171, filed Jul. 27, 2021, Duhadway.  
 U.S. Appl. No. 29/801,173, filed Jul. 27, 2021, Naylor.  
 U.S. Appl. No. 29/799,389, filed Jul. 14, 2021, Duhadway.  
 U.S. Appl. No. 29/801,175, filed Jul. 27, 2021, Duhadway.  
 TV Stand With Fireplace, image post date Sep. 12, 2015, site visited Aug. 8, 2016, (online), <<https://www.tineye.com/search/77be8934bf07249cbb245c8ea0f719199437b185/>>.  
 Walker Edison TV Stand with Fireplace Insert, image post date Jul. 31, 2015, site visited Aug. 8, 2016, (online), <<https://www.amazon.com/Walker-Edison-Fireplace-Insert-Espresso/dp/BOOPNONTAK>>.  
 Manchester Fireplace TV Console, image post date Dec. 17, 2015, site visited Aug. 8, 2016, (online), <<http://www.walmart.com/ip/Manchester-Media-Fireplace-Stand-for-TVs-up-to-70/46360223>>.  
 Monet Fireplace; Canadian Tire Company website: <http://www.canadiantire.ca/en/pdp/monet-fireplace-0643572p.html>; retrieved on Dec. 21, 2016.  
 TV and Media Consoles, image post date Sep. 21, 2013, site visited Oct. 26, 2016, (online), <<http://web.archive.org/web/20130921074219/http://www.electrificfireplacesdirect.com/Gallery/tv-and-media-consoles.html>>.\*  
 “Kendall Electric Media Fireplace—Espresso” Dec. 24, 2012, amazon.com, site visited Mar. 6, 2018 <[https://www.amazon.com/Kendall-Electric-Media-Fireplace-Espresso/dp/B009LIT6XQ/ref=cm\\_cr\\_arp\\_d\\_product\\_top?ie=UTF8](https://www.amazon.com/Kendall-Electric-Media-Fireplace-Espresso/dp/B009LIT6XQ/ref=cm_cr_arp_d_product_top?ie=UTF8)> (Year: 2012).  
 “Whalen Media Fireplace Console for TVs up to 70” Gray” Nov. 24, 2015, walmart.com, site visited Mar. 6, 2018 <<https://www.walmart.com/ip/Whalen-Media-Fireplace-Console-for-TVs-up-to-70-Gray/54189794>> (Year: 2015).  
 “Boston Loft Furnishings . . . ” Nov. 7, 2016, themine.com, site visited Mar. 2, 2018 <[https://www.themine.com/tv-stands/boston-loft-furnishings-reamrock-infrared-electric-fireplace-media-stand-with-convertible-corner\\_g2733659.html](https://www.themine.com/tv-stands/boston-loft-furnishings-reamrock-infrared-electric-fireplace-media-stand-with-convertible-corner_g2733659.html)> (Year: 2016).  
 “Ameriwood Home Everett 70-inch . . . ” Dec. 6, 2016, overstock.com, site visited Mar. 2, 2018 <<https://www.overstock.com/Home-Garden/Ameriwood-Home-Everett-70-inch-Sonoma-Oak-TV-Stand-with-Glass-Doors/12710691/product.html>> (Year: 2016).  
 Metal Coffee Table; <https://www.overstock.com/Home-Garden/42-Metal-Coffee-Table-42-x-24-x-18h/15951452/product.html> Retrieved on Nov. 13, 2018.  
 Modern Two-Tone Writing Desk; <https://www.overstock.com/Home-Garden/44-Modern-Two-Tone-Writing-Desk/19684325/product.html> Retrieved on Nov. 13, 2018.  
 Czapla TV Stand for TVs up to 65"; <https://www.allmodern.com/furniture/pdp/mercury-row-czapla-tv-stand-for-tvs-up-to-65-a000303456.html> ; Retrieved on May 7, 2019.  
 Nelson Media Cabinet; <https://www.franceandson.com/collections/storage-shelving-media-cabinets/products/nelson-media-cabinet36051> ; Retrieved on May 7, 2019.  
 Hal TV Stand for TVs up to 60"; <https://www.allmodern.com/furniture/pdp/hal-tv-stand-for-tvs-up-to-60-a000176456.html> ; Retrieved on May 7, 2019.  
 Wigington TV Stand for TVs up to 60"; <https://www.allmodern.com/furniture/pdp/wigington-tv-stand-for-tvs-up-to-60-golv3670.html?piid> ; Retrieved on May 7, 2019.

Cliffmay Slat Media Stand Light Oak Brown—Project 62; [https://www.target.com/p/cliffmay-slat-media-stand-light-oak-brown-project-62-153/-/A-53517373?ref=tgt\\_adv\\_XS000000&AFID=google\\_pla\\_df&fndsrc=tgtao&CPNG=PLA\\_Furniture%2BShopping\\_Priority%2BBrands&adgroup=SC\\_Project+62&LID=700000001170770pgs&network=g&device=c&location=9029756&gclsrc=aw.ds&ds\\_rl=1246978&ds\\_rl=1247068&ds\\_rl=1246978&ref=tgt\\_adv\\_XS000000&AFID=google\\_pla\\_df&CPNG=PLA\\_Furniture+Shopping\\_Priority+Brands&adgroup=SC\\_Project%2062&LID=700000001170770pgs&network=g&device=c&location=9029756&gclid=EAlalQobChMI7Nb9wo-H3wIVBylpCh1fSg4IEAQYBSABEGk\\_yPD\\_BwE&gclsrc=aw.ds](https://www.target.com/p/cliffmay-slat-media-stand-light-oak-brown-project-62-153/-/A-53517373?ref=tgt_adv_XS000000&AFID=google_pla_df&fndsrc=tgtao&CPNG=PLA_Furniture%2BShopping_Priority%2BBrands&adgroup=SC_Project+62&LID=700000001170770pgs&network=g&device=c&location=9029756&gclsrc=aw.ds&ds_rl=1246978&ds_rl=1247068&ds_rl=1246978&ref=tgt_adv_XS000000&AFID=google_pla_df&CPNG=PLA_Furniture+Shopping_Priority+Brands&adgroup=SC_Project%2062&LID=700000001170770pgs&network=g&device=c&location=9029756&gclid=EAlalQobChMI7Nb9wo-H3wIVBylpCh1fSg4IEAQYBSABEGk_yPD_BwE&gclsrc=aw.ds) ; Retrieved on May 7, 2019.  
 Audrey Woven Media Console 65"; <https://www.zinhome.com/audrey-woven-media-console-65/> ; Retrieved on May 14, 2019.  
 Demilune Mesh Door Industrial Sideboard; [https://belleescape.com/demilune-mesh-wire-door-industrial-chic-sideboard.html?\\_\\_SID=U](https://belleescape.com/demilune-mesh-wire-door-industrial-chic-sideboard.html?__SID=U) ; Retrieved on May 14, 2019.  
 Tuk Cabinet; <https://blackroosterdecor.com/collections/storage/products/tuk-cabinet> ; Retrieved on May 14, 2019.  
 Rustic Style 31 Inches Metal TV Stand With Wire Mesh Doors Cabinet, Black; <https://casagear.com/products/rustic-style-31-inches-metal-tv-stand-with-wire-mesh-doors-cabinet-black>; May 14, 2019.  
 Geo-Marquetry Buffet; [https://www.anthropologie.com/shop/geo-marquetry-buffet?adpos=1o27&adtype=pla&cm\\_mmc=Google-US%20-%20Shopping%20-%20Furniture-Organizing%20and%20Storage-42699934&color=&countryCode=US&creative=191389729567&device=c&gclid=EAlalQobChMIvutGgYOH3wIVEdNkCh3t8wRPEAkYGYABEGJG\\_PD\\_BwE&inventoryCountry=US&matchtype=&mrkgadid=3202938336&mrkgcl=694&network=g&product\\_id=42699934&quantity=1&size=ALL&type=STANDARD&utm\\_campaign=US%20-%20Shopping%20-%20Furniture&utm\\_content=42699934&utm\\_medium=paid\\_search&utm\\_source=Google&utm\\_term=Organizing%20and%20Storage](https://www.anthropologie.com/shop/geo-marquetry-buffet?adpos=1o27&adtype=pla&cm_mmc=Google-US%20-%20Shopping%20-%20Furniture-Organizing%20and%20Storage-42699934&color=&countryCode=US&creative=191389729567&device=c&gclid=EAlalQobChMIvutGgYOH3wIVEdNkCh3t8wRPEAkYGYABEGJG_PD_BwE&inventoryCountry=US&matchtype=&mrkgadid=3202938336&mrkgcl=694&network=g&product_id=42699934&quantity=1&size=ALL&type=STANDARD&utm_campaign=US%20-%20Shopping%20-%20Furniture&utm_content=42699934&utm_medium=paid_search&utm_source=Google&utm_term=Organizing%20and%20Storage); Retrieved on May 14, 2019.  
 Suspend II Media Console; <https://www.cb2.com/suspend-ii-media-console/s523915>; Retrieved on May 14, 2019.  
 Hooker Furniture Melange Mirrored Angle Console; [https://www.furniturecrate.com/hooker-melange-mirrored-angle-console.html?gdftrk=gdfV21650\\_a\\_7c92\\_a\\_7c8357\\_a\\_7c654170&gclid=CjwKEAiA05unBRCymrGilanF9SwSjACqDFRm1WwgePUSp65sXRCI4RkJfScYn-yCjNuB-GTt3W-FxoCQL7w\\_wcB](https://www.furniturecrate.com/hooker-melange-mirrored-angle-console.html?gdftrk=gdfV21650_a_7c92_a_7c8357_a_7c654170&gclid=CjwKEAiA05unBRCymrGilanF9SwSjACqDFRm1WwgePUSp65sXRCI4RkJfScYn-yCjNuB-GTt3W-FxoCQL7w_wcB); Retrieved on May 14, 2019.  
 FurnitureMaxx Besteen Contemporary Wood Dark Gray Dining Room Server; [https://www.amazon.com/dp/B07GVS1VK2/ref=cm\\_sw\\_r\\_pi\\_dp\\_U\\_x\\_evuOBbFM3298G](https://www.amazon.com/dp/B07GVS1VK2/ref=cm_sw_r_pi_dp_U_x_evuOBbFM3298G); Retrieved on May 14, 2019.  
 Jaydyn Media TV Stand/Credenza; [https://www.macys.com/shop/product/jaydyn-media-tv-stand-credenza?ID=2883210&CategoryID=35319#fn=FURNITURE\\_CATEGORY=Buffet%20&%;20Sideboards&SIZE=&sp=3&spc=131&ruleId=129%7CBOOST%20ATTRIBUTE%7CBOOST%20SAVED%20SET&searchPass=matchNone&slotId=2](https://www.macys.com/shop/product/jaydyn-media-tv-stand-credenza?ID=2883210&CategoryID=35319#fn=FURNITURE_CATEGORY=Buffet%20&%;20Sideboards&SIZE=&sp=3&spc=131&ruleId=129%7CBOOST%20ATTRIBUTE%7CBOOST%20SAVED%20SET&searchPass=matchNone&slotId=2); Retrieved on May 14, 2019.  
 Sideboard; <https://www.allmodern.com/furniture/pdp/sideboard-sct11710.html>; Retrieved on May 14, 2019.  
 Belham Living Trenton Industrial End Table; [https://www.hayneedle.com/product/belham-living-trenton-industrial-end-table-new.cfm?source=pla&kwid=OccasionalTables%20iprefer&tid=REDU113-1&adtype=pla&kw=&gclid=EAlalQobChMIvOu-6vel3wIVB8ZkCh0ZdAf-EAkYAyABEGLyMfD\\_BwE](https://www.hayneedle.com/product/belham-living-trenton-industrial-end-table-new.cfm?source=pla&kwid=OccasionalTables%20iprefer&tid=REDU113-1&adtype=pla&kw=&gclid=EAlalQobChMIvOu-6vel3wIVB8ZkCh0ZdAf-EAkYAyABEGLyMfD_BwE); Retrieved on May 15, 2019.  
 Belham Living Hampton Chair Side Table—Black; <https://www.hayneedle.com/product/belham-living-hampton-chair-side-table-black.cfm>; Retrieved on May 15, 2019.  
 International Concepts Hampton End Table; [https://www.hayneedle.com/product/internationalconceptshamptonendtable.cfm?source=pla&kwid=OccasionalTables%20level05&tid=WWI545-1&adtype=pla&kw=&gclid=EAlalQobChMIpsnoq\\_ml3wIVGNVCh348gtdEAKYliABEGLP7fD\\_BwE](https://www.hayneedle.com/product/internationalconceptshamptonendtable.cfm?source=pla&kwid=OccasionalTables%20level05&tid=WWI545-1&adtype=pla&kw=&gclid=EAlalQobChMIpsnoq_ml3wIVGNVCh348gtdEAKYliABEGLP7fD_BwE); Retrieved on May 15, 2019.  
 Hampton Weathered Taupe Gray Coffee Table; [https://www.homedepot.com/p/International-Concepts-Hampton-Weathered-Taupe-Gray-Coffee-Table-OT09-70C/302946359?MERCH=REC-PIPHorizontal2\\_rr\\_-204737265\\_-302946359\\_-N](https://www.homedepot.com/p/International-Concepts-Hampton-Weathered-Taupe-Gray-Coffee-Table-OT09-70C/302946359?MERCH=REC-PIPHorizontal2_rr_-204737265_-302946359_-N); Retrieved on May 15, 2019.









(56)

## References Cited

## OTHER PUBLICATIONS

“Luxen Home Rustic Chic Sliding Door Wood Cabinet” [https://shopping.yahoo.com/product/00810000772858/Luxen-Home-Rustic-Chic-Sliding-Door-Wood-Cabinet?pid=skimlinks\\_310-9997530](https://shopping.yahoo.com/product/00810000772858/Luxen-Home-Rustic-Chic-Sliding-Door-Wood-Cabinet?pid=skimlinks_310-9997530) Found online Nov. 12, 2021; Retrieved on Dec. 2, 2021.

“LuxenHome Sliding Door White Wood Wall Cabinet” <https://www.cymax.com/Sliding-Door-White-Wood-Wall-Cabinet-WHIF1248.htm> Found online Nov. 12, 2021; Retrieved on Dec. 2, 2021.

“LuxenHöme Natural Oak Finish Wine Bar Cabinet with 2 Drawers, Wood Storage Sideboard with Slide Door, Corner Coffee Table with 2-Layer Storage Shelf for Dining Room Kitchen, 32 inch, Oak Color” [https://www.amazon.com/LuxenH%C3%B6me-Natural-Cabinet-Drawers-Sideboard/dp/B097TTJMMT?ref=ast\\_sto\\_dp&th=1](https://www.amazon.com/LuxenH%C3%B6me-Natural-Cabinet-Drawers-Sideboard/dp/B097TTJMMT?ref=ast_sto_dp&th=1) Found online Nov. 12, 2021; Retrieved on Dec. 2, 2021.

“LuxenHöme Weathered Wood Storage Single Barn Door Wall Cabinet, Farmhouse Wall Storage with Shelves Inside, Kitchen Wall Cabinet for Daily use, 22 Inch, Disdressed Wood” [https://www.amazon.com/LuxenH%C3%B6me-Weathered-Storage-Farmhouse-Disdressed/dp/B09GL3WNL9/ref=sr\\_1\\_51?dchild=1&m=ADLW6LFQJCQSW&marketplaceID=ATVPDKIKX0DER&qid=16337377798&s=merchant-items&sr=1-51&th=1](https://www.amazon.com/LuxenH%C3%B6me-Weathered-Storage-Farmhouse-Disdressed/dp/B09GL3WNL9/ref=sr_1_51?dchild=1&m=ADLW6LFQJCQSW&marketplaceID=ATVPDKIKX0DER&qid=16337377798&s=merchant-items&sr=1-51&th=1) Found online Nov. 12, 2021; Retrieved on Dec. 2, 2021.

“LuxenHöme Pallet Sliding Door Wood Storage Cabinet, Modern Farmhouse Sliding Single Slat Door Storage Console, Coffee Table with Shelves Inside for Kitchen Living Room Bedroom, 32 inch, White/Brown” <https://www.amazon.com/Luxen-Pallet-Sliding-Storage-Cabinet/dp/B08PDV42M3?th=1> Found online Nov. 12, 2021; Retrieved on Dec. 2, 2021.

“WAMPAT Farmhouse Sliding Barn Door Accent Cabinet Buffet Entryway Bar Storage Table for Living Room, Bathroom and Home Kitchen, 35 Inch, White” <https://www.ubuy.co.id/en/product/1NJGSUT4-wampat-farmhouse-sliding-barn-door-accent-cabinet-buffet-entryway-bar-storage-table-for-living-room> Found online Nov. 12, 2021; Retrieved on Dec. 2, 2021.

“Belifeglory Barn Door Storage Cabinet, Farmhouse Sliding Barn Door Wood Accent Chest Kitchen Buffet Cabinet with Adjustable Shelves for Entryway Bar Home Office (Grey)” <https://www.ubuy.co.id/en/product/ZFHQXSX0-belifeglory-barn-door-storage-cabinet-farmhouse-sliding-barn-door-wood-accent-chest-kitchen-buffet-c> Found online Nov. 12, 2021; Retrieved on Dec. 2, 2021.

“Luxen Home Bathroom Wall Storage Cabinet” [https://shopping.yahoo.com/product/00810000773121/Luxen-Home-Bathroom-Wall-Storage-Cabinet?pid=skimlinks\\_310-9997549](https://shopping.yahoo.com/product/00810000773121/Luxen-Home-Bathroom-Wall-Storage-Cabinet?pid=skimlinks_310-9997549) Found online Nov. 12, 2021; Retrieved on Dec. 2, 2021.

Yosef Entertainment Center for TVs up to 55" <https://www.wayfair.com/furniture/pdp/yosef-entertainment-center-for-tvs-up-to-55-w005296062.html> Found online Nov. 12, 2021; Retrieved on Dec. 2, 2021.

Saugeen TV Stand for TVs up to 64" <https://www.wayfair.com/furniture/pdp/gracie-oaks-saugeen-tv-stand-for-tvs-up-to-64-w003546807.html> Found online Nov. 12, 2021; Retrieved on Dec. 2, 2021.

Mcglorin TV Stand For TVs Up To 70" <https://cyewayinc.com/collections/tv-stand/products/mcglorin-tv-stand-for-tvs-up-to-70?variant=40149957247139> Found online Nov. 12, 2021; Retrieved on Dec. 2, 2021.

“Concordia TV Stand for TVs up to 65" with Fireplace Included” <https://www.wayfair.com/furniture/pdp/gracie-oaks-concordia-tv-stand-for-tvs-up-to-65-with-fireplace-included-w004032688.html> Found online Nov. 12, 2021; Retrieved on Dec. 2, 2021.

“Uli 48" Solid Wood Kitchen Island” <https://www.wayfair.com/furniture/pdp/gracie-oaks-uli-kitchen-island-oak-butcher-block-top-grks7182.html> Found online Nov. 12, 2021; Retrieved on Dec. 2, 2021.

“Alayziah 52" Wide Buffet Table” <https://www.wayfair.com/furniture/pdp/gracie-oaks-alayziah-52-wide-buffet-table-w003233776.html> Found online Nov. 12, 2021; Retrieved on Dec. 2, 2021.

“Swedish Hill TV Stand for TVs up to 88" with Fireplace Included” <https://www.wayfair.com/furniture/pdp/gracie-oaks-swedish-hill-tv-stand-for-tvs-up-to-88-with-electric-fireplace-included-w000339756.html> Found online Nov. 12, 2021; Retrieved on Dec. 2, 2021.

Clematite TV Stand for TVs up to 65" <https://www.wayfair.com/furniture/pdp/gracie-oaks-clematite-tv-stand-for-tvs-up-to-65-w003025551.html> Found online Nov. 12, 2021; Retrieved on Dec. 2, 2021.

Arti TV Stand for TVs up to 65" <https://www.wayfair.com/furniture/pdp/gracie-oaks-arti-tv-stand-for-tvs-up-to-65-w004646275.html> Found online Nov. 12, 2021; Retrieved on Dec. 2, 2021.

Garden City TV Stand for TVs up to 65" <https://www.wayfair.com/furniture/pdp/gracie-oaks-garden-city-tv-stand-for-tvs-up-to-65-w002818215.html> Found online Nov. 12, 2021; Retrieved on Dec. 2, 2021.

“Seabeck TV Stand for TVs up to 55" with Fireplace Included” <https://www.wayfair.com/furniture/pdp/gracie-oaks-seabeck-w004878945.html> Found online Nov. 12, 2021; Retrieved on Dec. 2, 2021.

“Theobald End Table” <https://www.wayfair.com/furniture/pdp/gracie-oaks-theobald-end-table-with-storage-w005274882.html> Found online Nov. 12, 2021; Retrieved on Dec. 2, 2021.

“Rossitano Solid Wood End Table” <https://www.wayfair.com/furniture/pdp/gracie-oaks-rossitano-end-table-hlds6279.html> Found online Nov. 12, 2021; Retrieved on Dec. 2, 2021.

“Berneau 30.7" Wide Sideboard” <https://www.wayfair.com/furniture/pdp/gracie-oaks-berneau-307-wide-sideboard-w003399479.html> Found online Nov. 12, 2021; Retrieved on Dec. 2, 2021.

“FurnitureR 32 Inch Sideboard Open Storage Cabinet with Sliding Door, 2 Shelves for Kitchen & Dining Furniture, Manufactured Wood” <https://www.amazon.com/FurnitureR-Sideboard-Storage-Furniture-Manufactured/dp/B097PFWYDT> Found online Nov. 12, 2021; Retrieved on Dec. 2, 2021.

“1—Door Accent Cabinet” <https://www.wayfair.com/furniture/pdp/39f-inc-newbarn-cabinet-tnfi2607.html> Found online Nov. 12, 2021; Retrieved on Dec. 2, 2021.

“Newbarn TV Stand” <https://www.homylin.com/products/newbarn-tv-stand> Found online Nov. 12, 2021; Retrieved on Dec. 2, 2021.

“32" Farmhouse Sliding Barn Door Storage Cabinet ,Wood Accent Cabinet Kitchen Buffet Cabinet With Adjustable Shelves White” <https://www.walmart.com/ip/Farmhouse-Sliding-Barn-Storage-Cabinet/306453208> Found online Nov. 12, 2021; Retrieved on Dec. 2, 2021.

“TV Stand with Barn Door, 2 Open Compartments, Cable Management, TV Table for TVs up to 57 Inches” <https://www.walmart.com/ip/TV-Stand-with-Barn-Door-2-Open-Compartments-Cable-Management-TV-Table-for-TVs-up-to-57-Inches/935482009> Found online Nov. 12, 2021; Retrieved on Dec. 2, 2021.

“TV Stand with Barn Door, 2 Open Compartments, Cable Management, TV Table for TVs up to 57 Inches Grey” <https://www.walmart.com/ip/TV-Stand-with-Barn-Door-2-Open-Compartments-Cable-Management-TV-Table-for-TV-s-up-to-57-Inches-Grey/379595098> Found online Nov. 12, 2021; Retrieved on Dec. 2, 2021.

Office Action for U.S. Appl. No. 29/743,423; dated Dec. 3, 2021.  
Office Action for U.S. Appl. No. 29/743,246; dated Dec. 6, 2021.  
Notice of Allowance for U.S. Appl. No. 29/743,237; dated Dec. 13, 2021.

DIY Media Center / Buffet With Barn Doors; “Against the Grain” video; <https://www.youtube.com/watch?v=IOF-uZeuoXE> ; Found online on Dec. 14, 2021.

Ana White, Grandy Barn Door Console; “How to build barn door console or buffet—free plans by ANA-WHITE.com” <http://www.ana-white.com/woodworking-projects/grandy-barn-door-console>; Found online on Dec. 14, 2021; Retrieved on Dec. 17, 2021.

\* cited by examiner

‡ imported from a related application

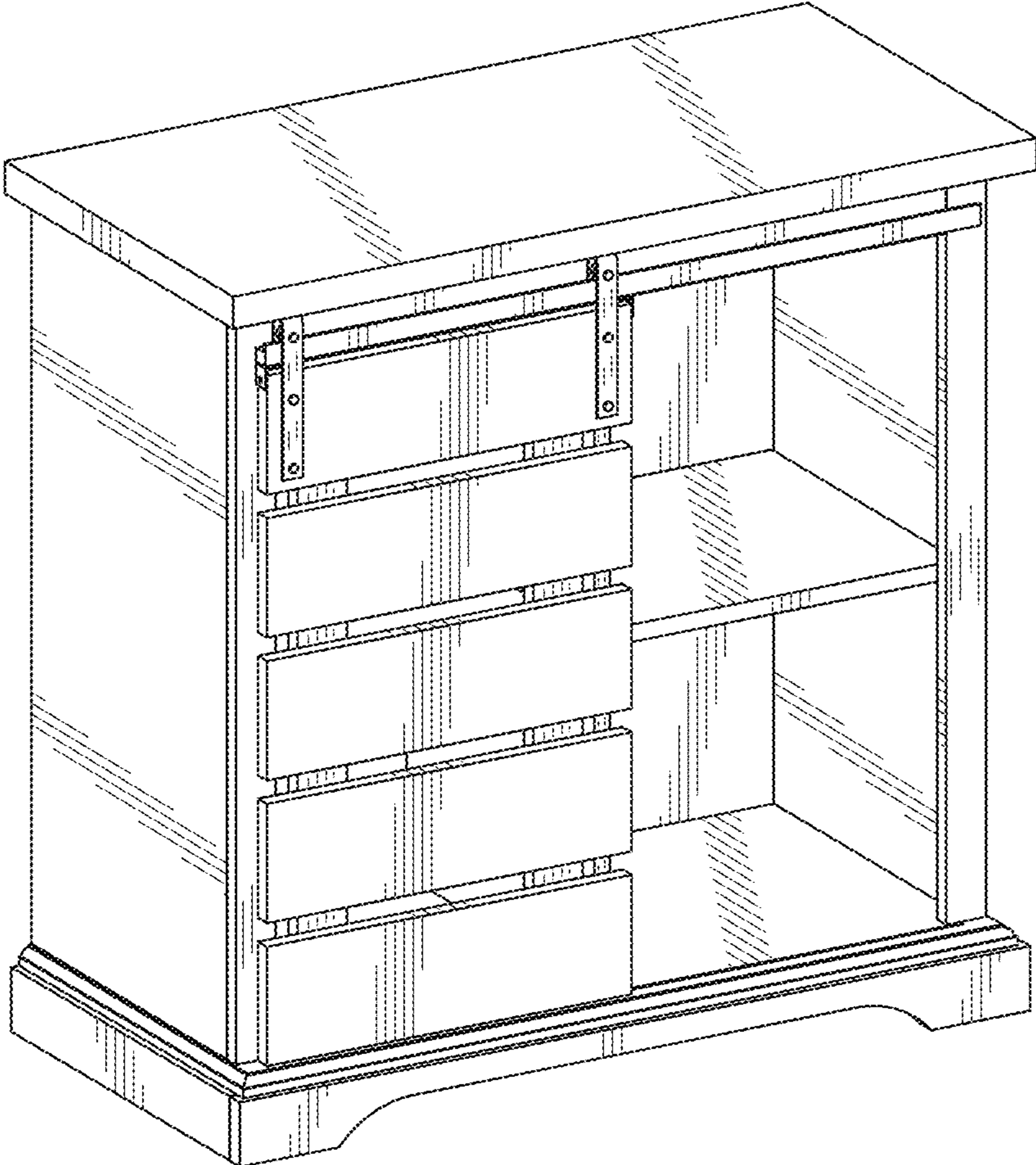


FIG. 1

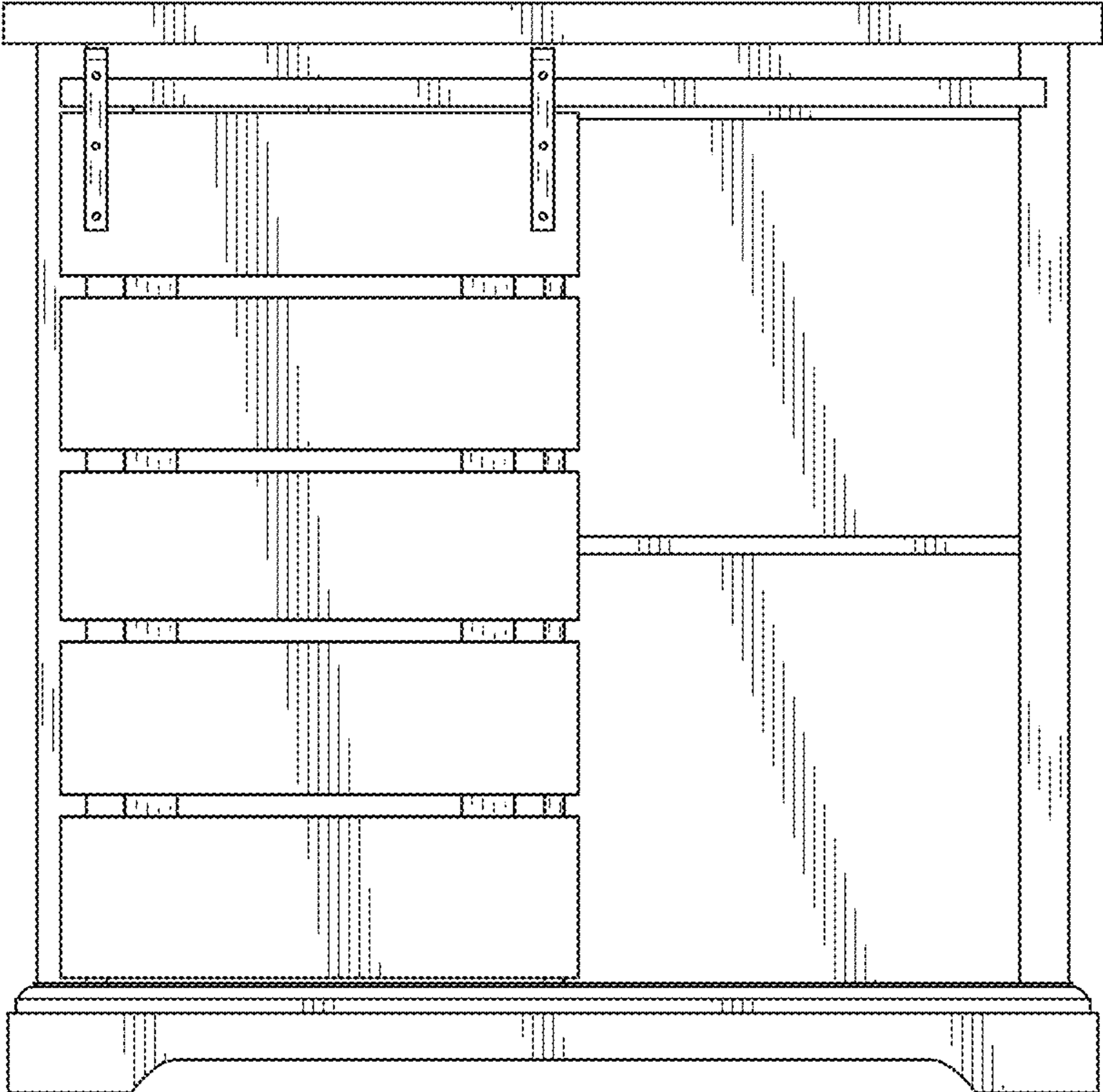


FIG. 2

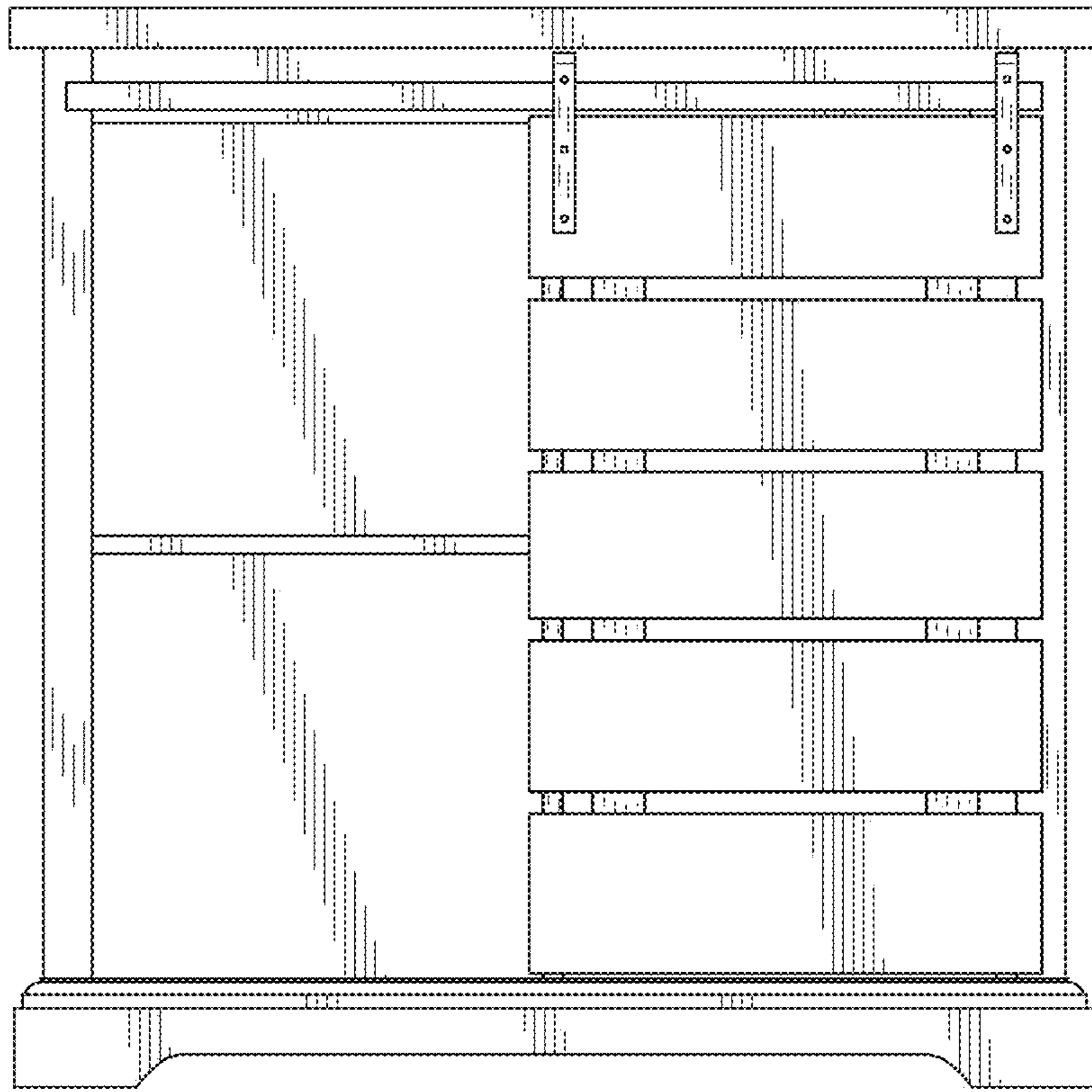


FIG. 3

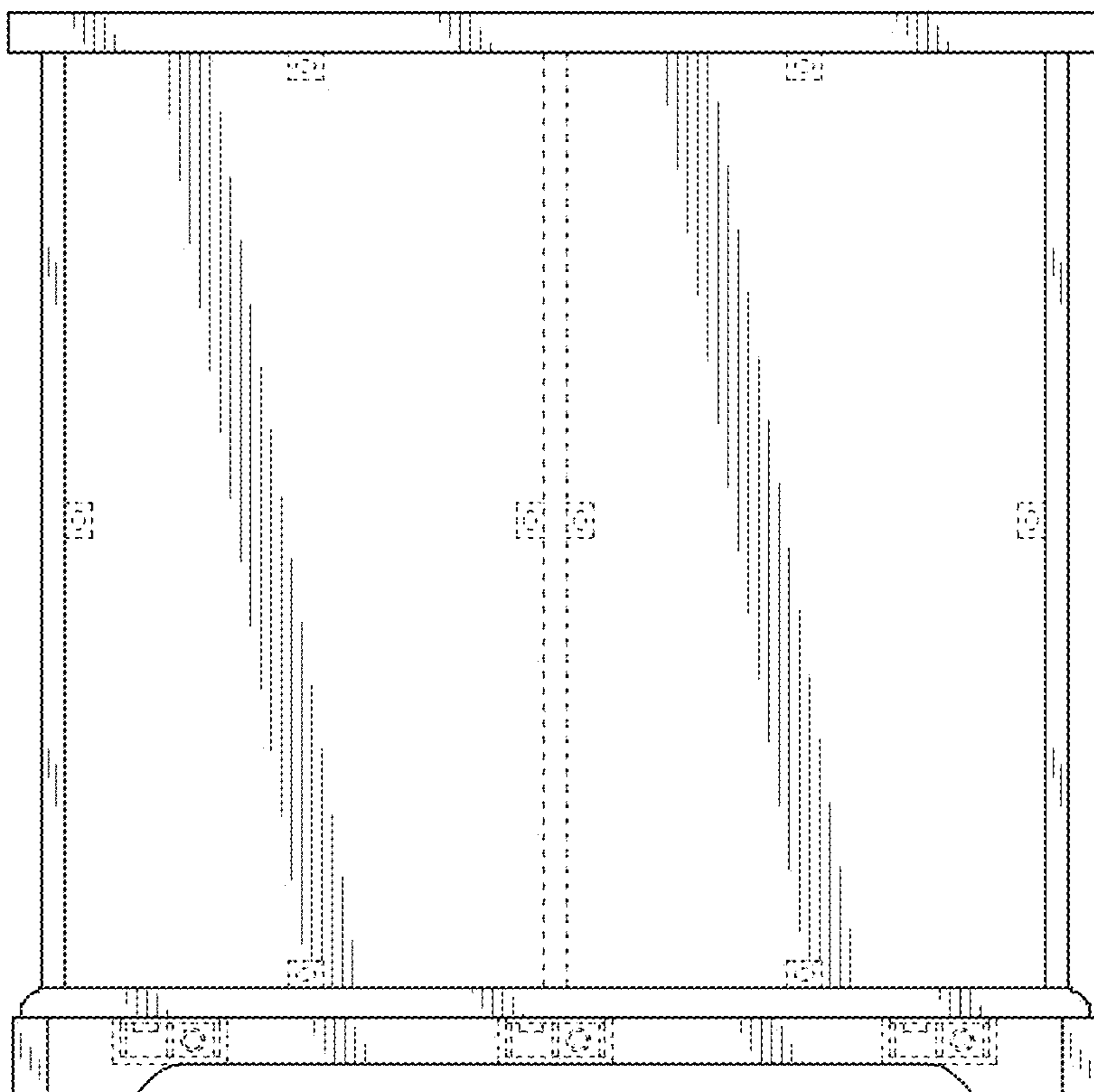


FIG. 4



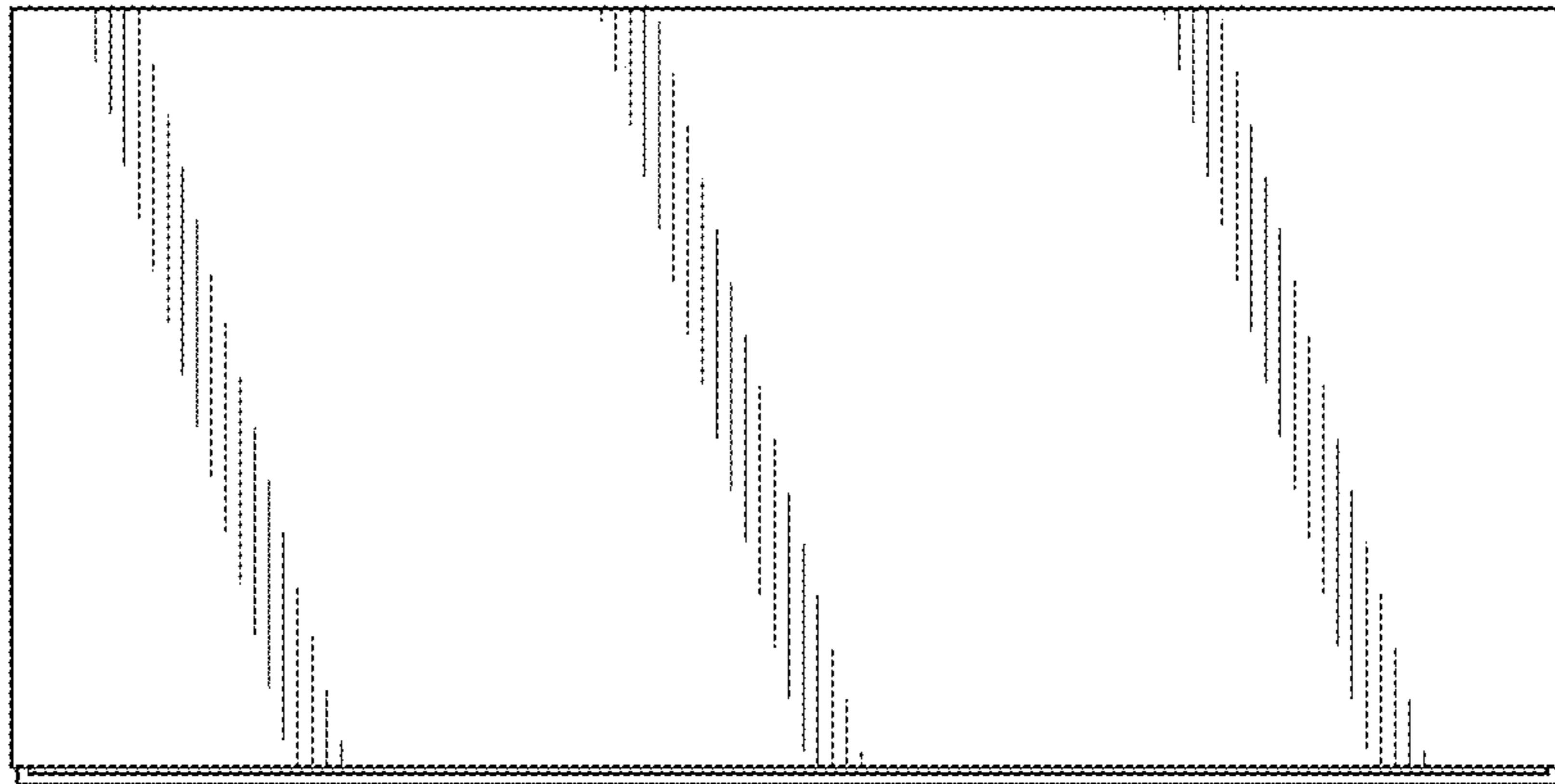


FIG. 5

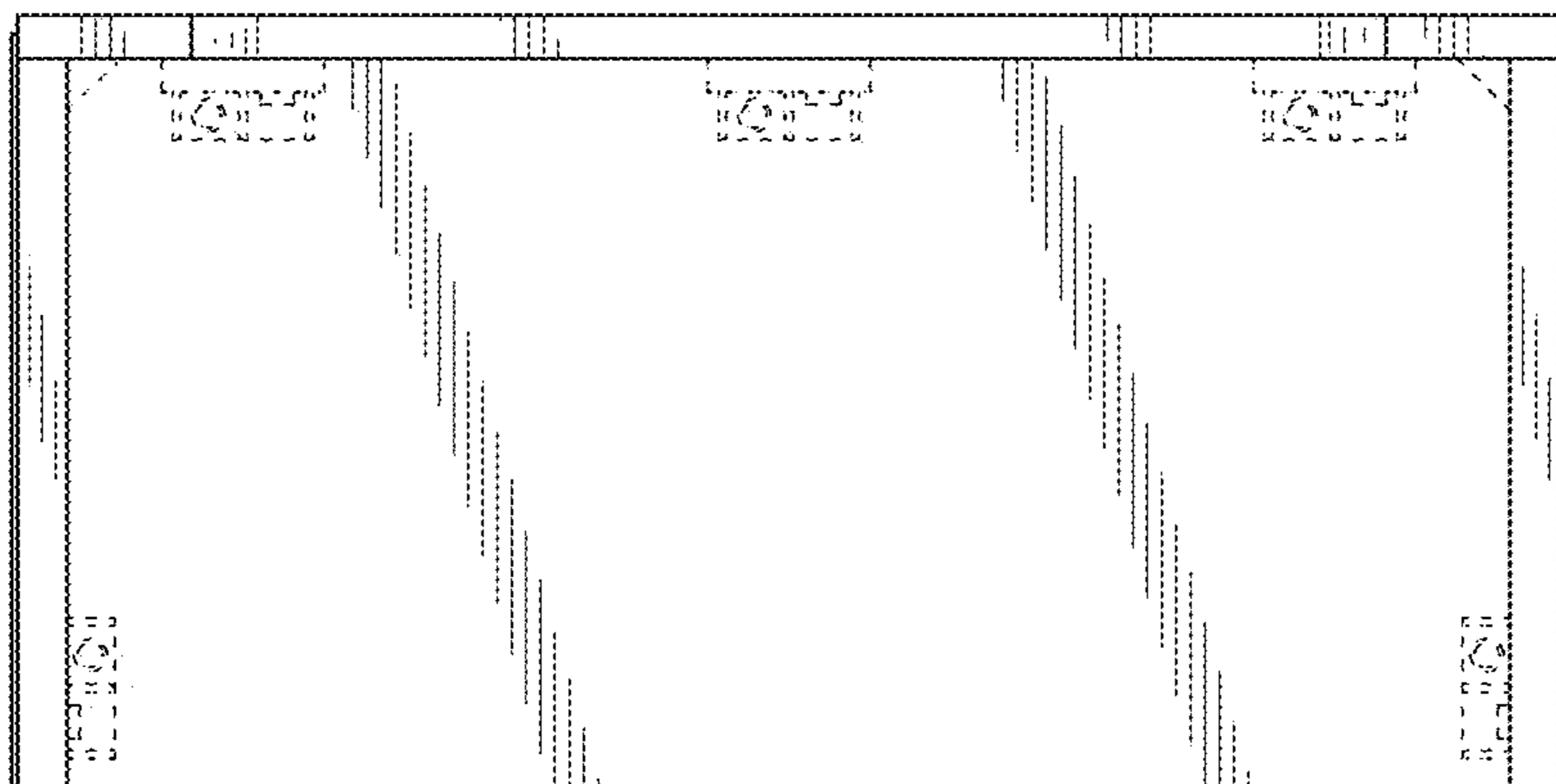


FIG. 6

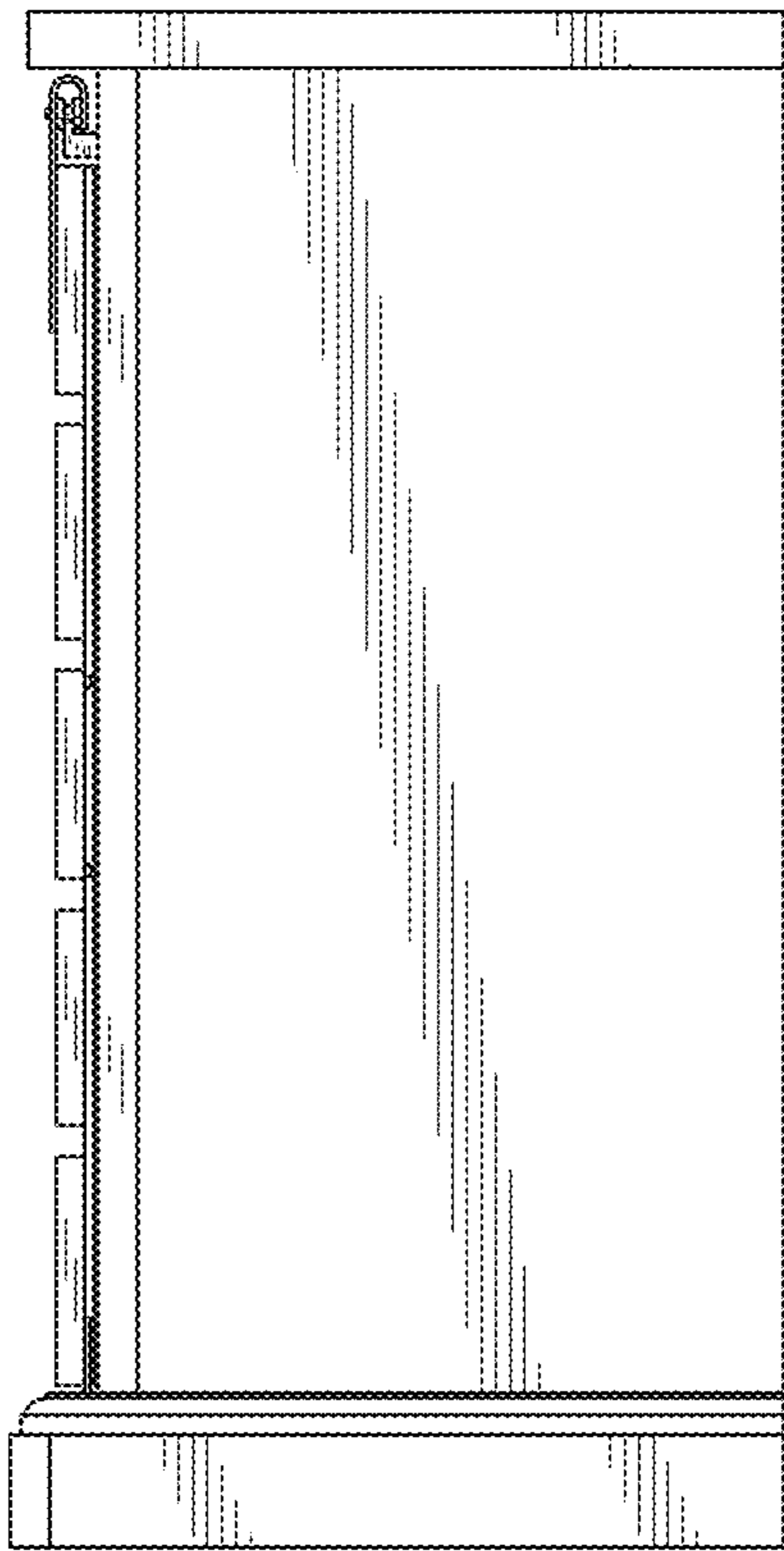


FIG. 7

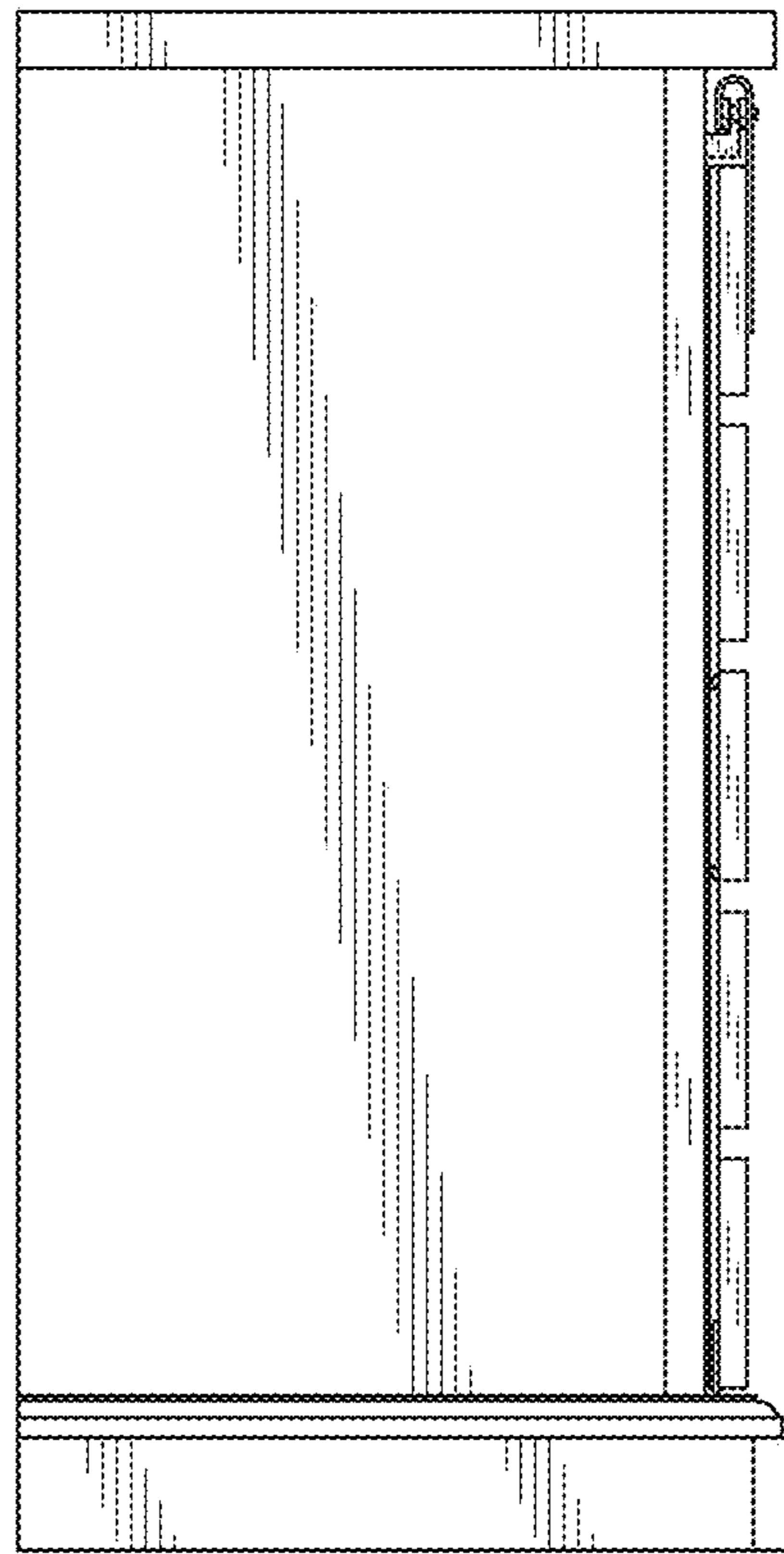


FIG. 8