



US00D951682S

(12) **United States Design Patent** (10) **Patent No.:** **US D951,682 S**
You (45) **Date of Patent:** **** May 17, 2022**

(54) **WORKSTATION**
(71) Applicant: **NINGBO TUOTUO RIVER DESIGN COMPANY, Zhejiang (CN)**
(72) Inventor: **Xiaodong You, Ningbo (CN)**
(73) Assignee: **NINGBO TUOTUO RIVER DESIGN COMPANY, Zhejiang (CN)**

D931,658 S * 9/2021 Xing A61B 90/60
D6/656
2010/0242174 A1* 9/2010 Morrison, Sr. A61B 90/60
5/507.1
2018/0103752 A1* 4/2018 Zhong A47B 3/02
2018/0146775 A1* 5/2018 You A47B 9/16
2018/0360208 A1* 12/2018 Liao A47B 21/02
(Continued)

(**) Term: **15 Years**
(21) Appl. No.: **29/777,784**

FOREIGN PATENT DOCUMENTS
AU 200913970 11/2009
EM 000714803-0001 5/2007
EM 005499456-0001 7/2018
(Continued)

(22) Filed: **Apr. 8, 2021**
(51) **LOC (13) Cl.** **06-03**
(52) **U.S. Cl.**
USPC **D6/656**
(58) **Field of Classification Search**
USPC D6/641, 643, 655, 655.17, 656, 656.1,
D6/656.13; D12/128, 132
CPC A47B 7/00; A47B 9/00; A47B 9/02; A47B
13/00; A47B 13/02; A47B 13/04; A47B
13/06; A47B 13/08; A47B 13/12; A47B
17/00; A47B 21/00; A47B 21/02; A47B
2021/0321; A47B 2200/0001; A47B
2200/0011; A47B 2200/02; A47B
2200/0035
See application file for complete search history.

OTHER PUBLICATIONS
Standing Keyboard Lift, by Mount-It!—Amazon Date first available—Aug. 11, 2020 <https://www.amazon.com/Standing-Adjustable-Keyboards-Ergonomic-Workstation/dp/B084CWQSKC> retrieved from the internet on Feb. 28, 2022.*

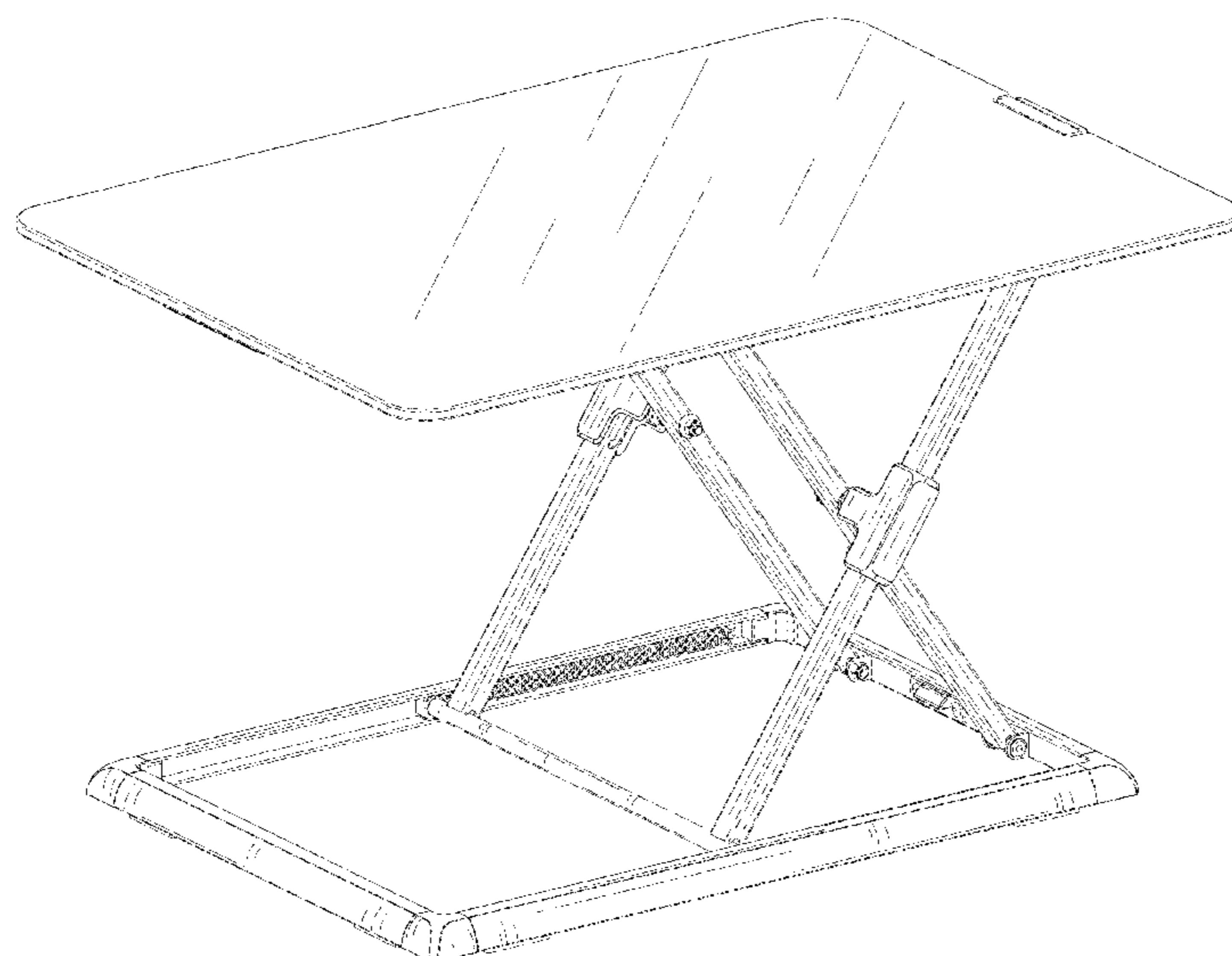
Primary Examiner — Mary Ann Calabrese
(74) *Attorney, Agent, or Firm* — Knobbe Martens Olson & Bear LLP

(57) **CLAIM**
The ornamental design for a workstation, as shown and described.

(56) **References Cited**
U.S. PATENT DOCUMENTS
D307,814 S 5/1990 Kawana
9,326,598 B1* 5/2016 West A47B 23/04
10,244,861 B1* 4/2019 Poniatowski A47B 9/16
D854,775 S 7/2019 Chang et al.
D859,037 S 9/2019 Martin et al.
D864,619 S 10/2019 Hu
D882,987 S 5/2020 Hu
D891,819 S * 8/2020 Kang A47B 9/16
D6/641
D913,019 S 3/2021 Norwalk et al.

DESCRIPTION
FIG. 1 is a top perspective view of the workstation embodying the new design;
FIG. 2 is a bottom perspective view thereof;
FIG. 3 is a left side view thereof;
FIG. 4 is a right side view thereof;
FIG. 5 is a back view thereof;
FIG. 6 is a front view thereof;
FIG. 7 is a top view thereof; and,
FIG. 8 is a bottom view thereof.

1 Claim, 8 Drawing Sheets



(56)

References Cited

U.S. PATENT DOCUMENTS

2020/0015584 A1* 1/2020 Fletcher-Price A47B 21/02
2021/0386194 A1* 12/2021 Egelund A47B 9/16

FOREIGN PATENT DOCUMENTS

EM 005309234-0001 8/2018
EM 007834817-0001 5/2020
EM 008167639-0001 12/2020

* cited by examiner

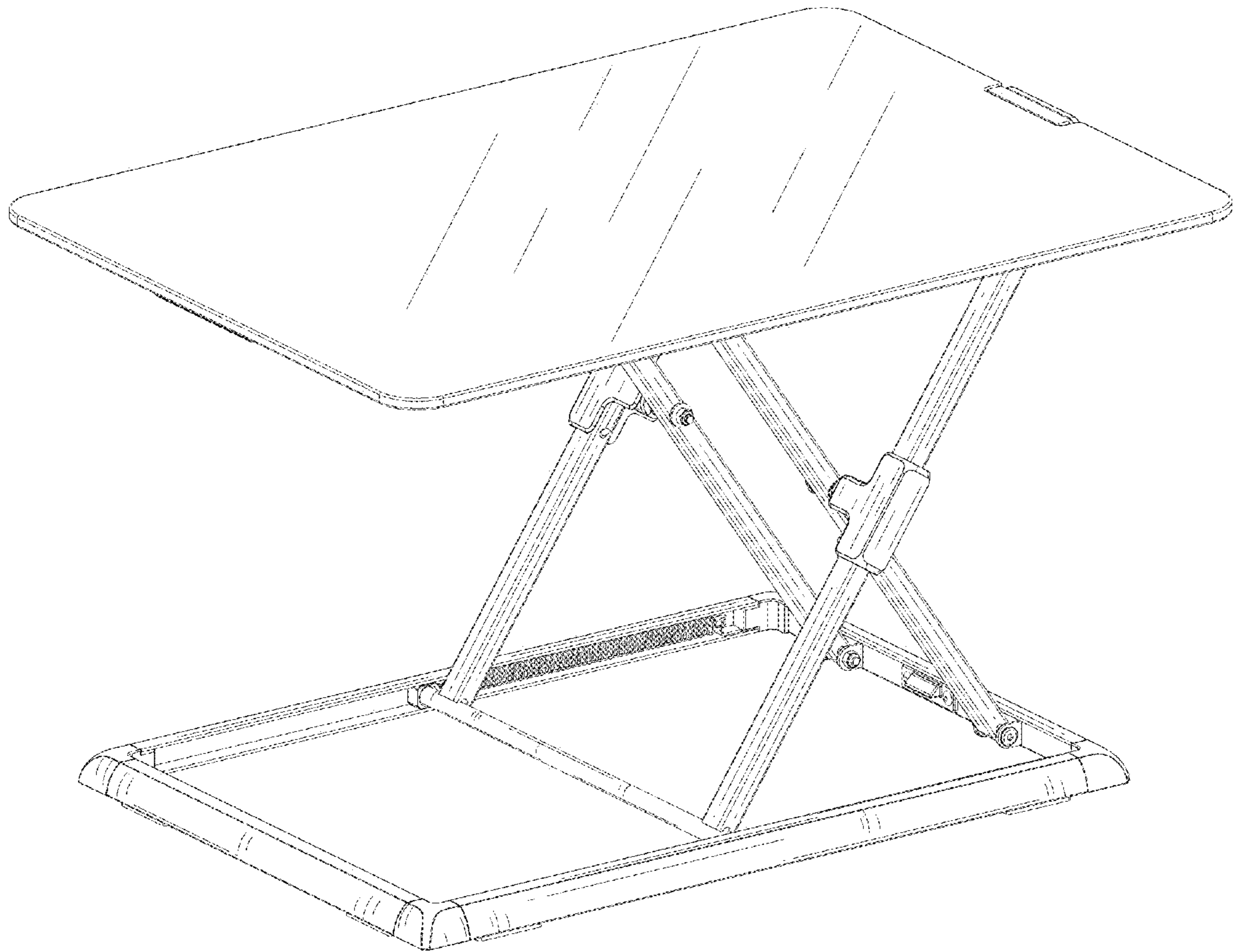


Fig.1

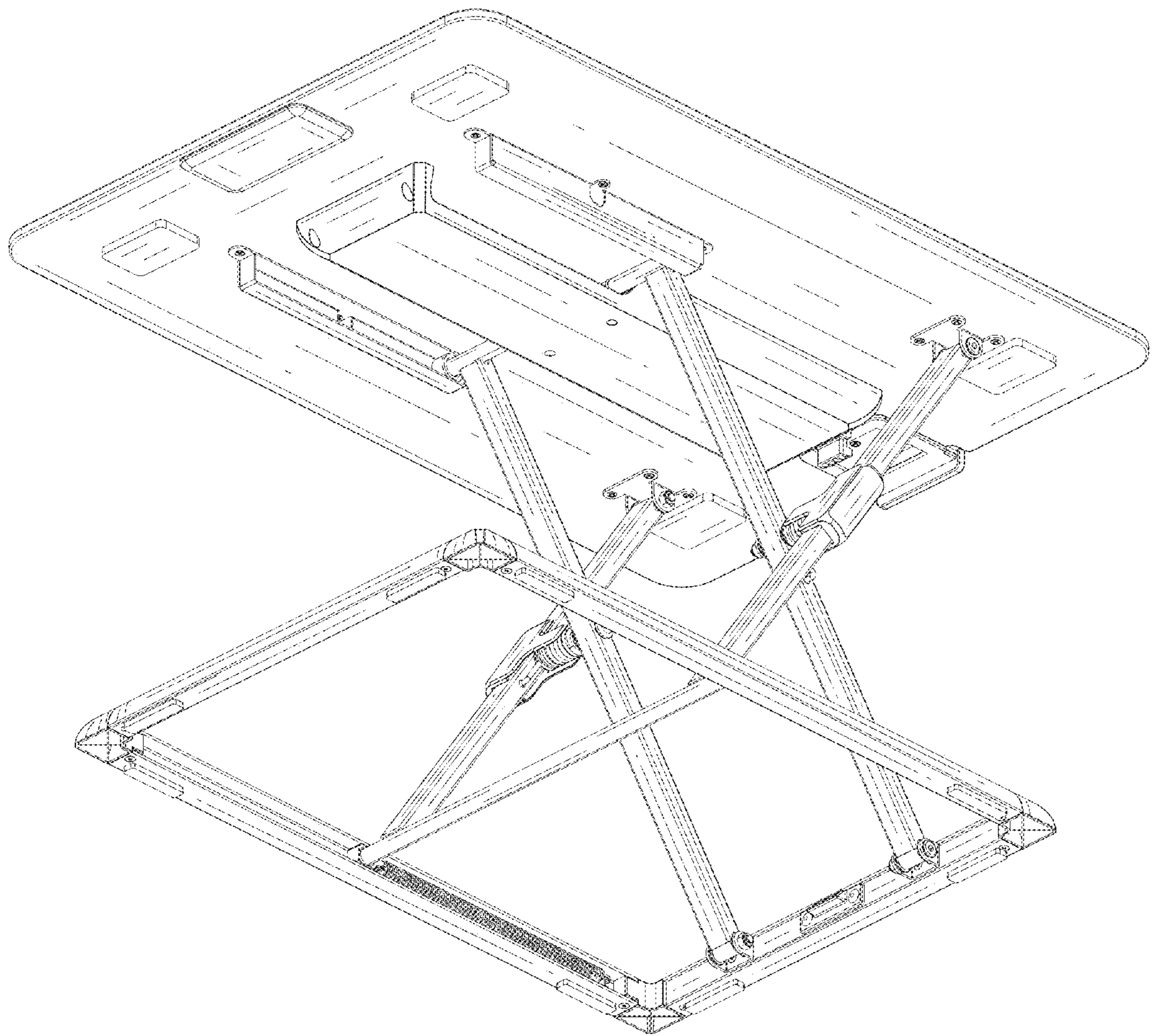


Fig.2

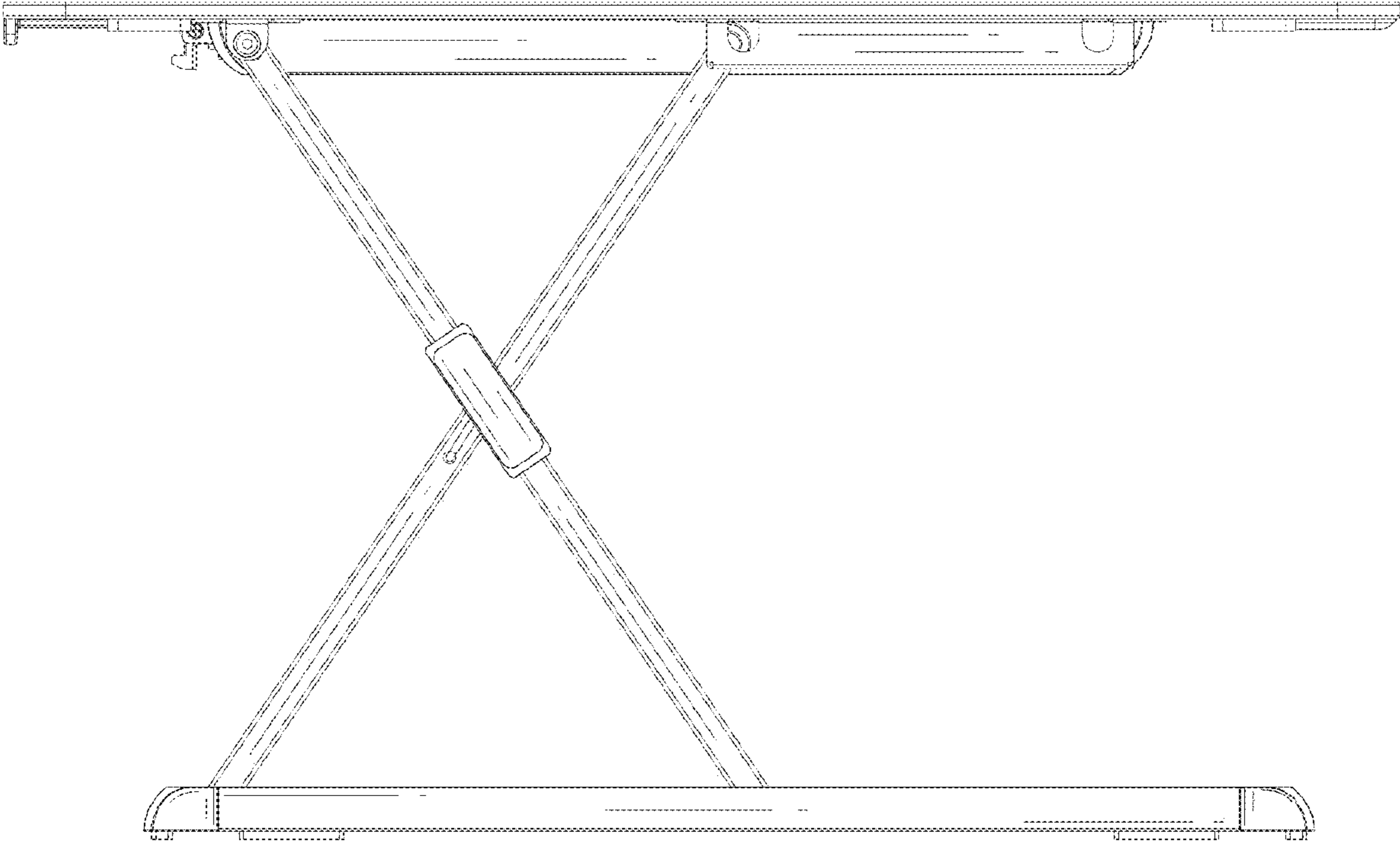


Fig.3

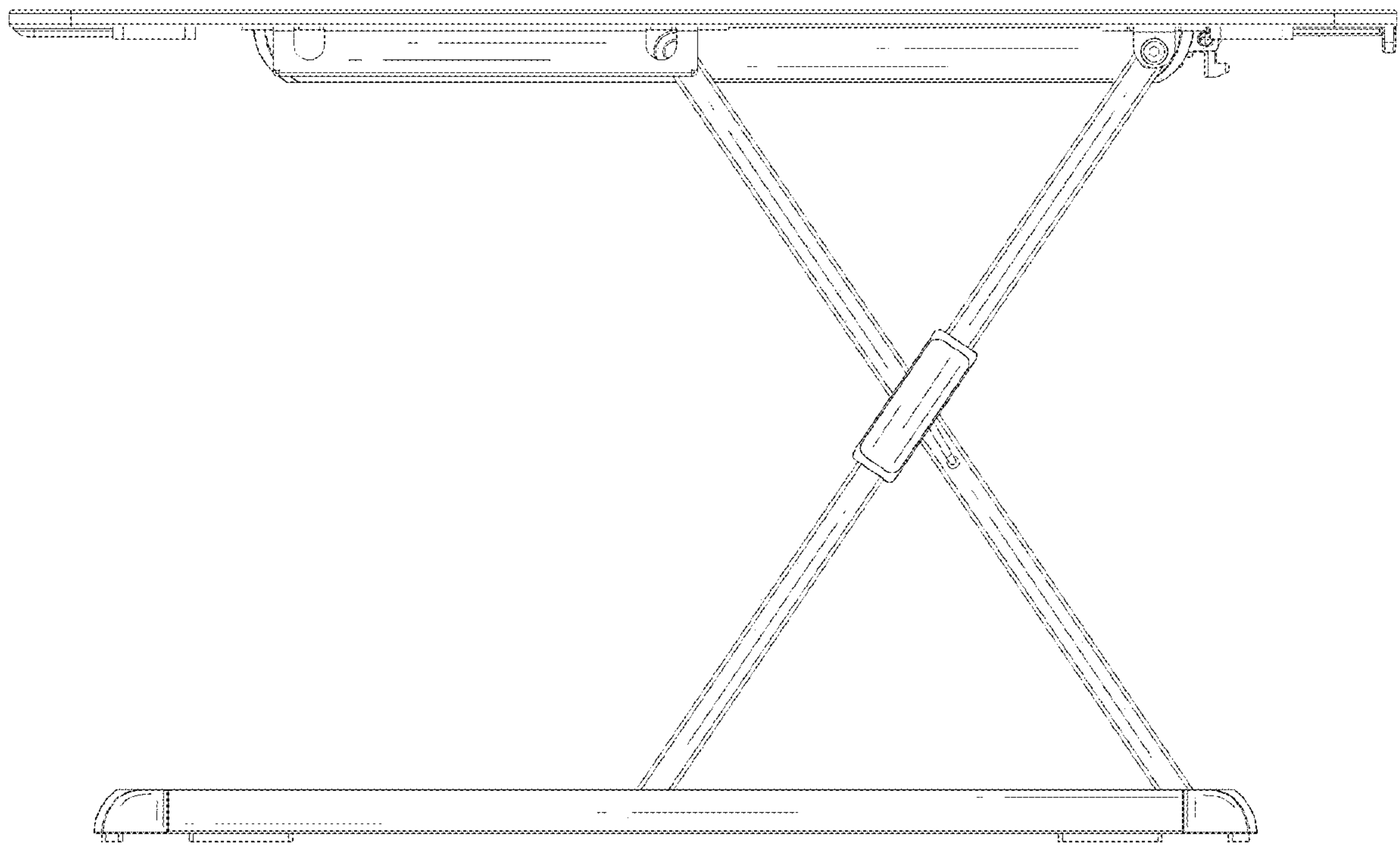


Fig.4

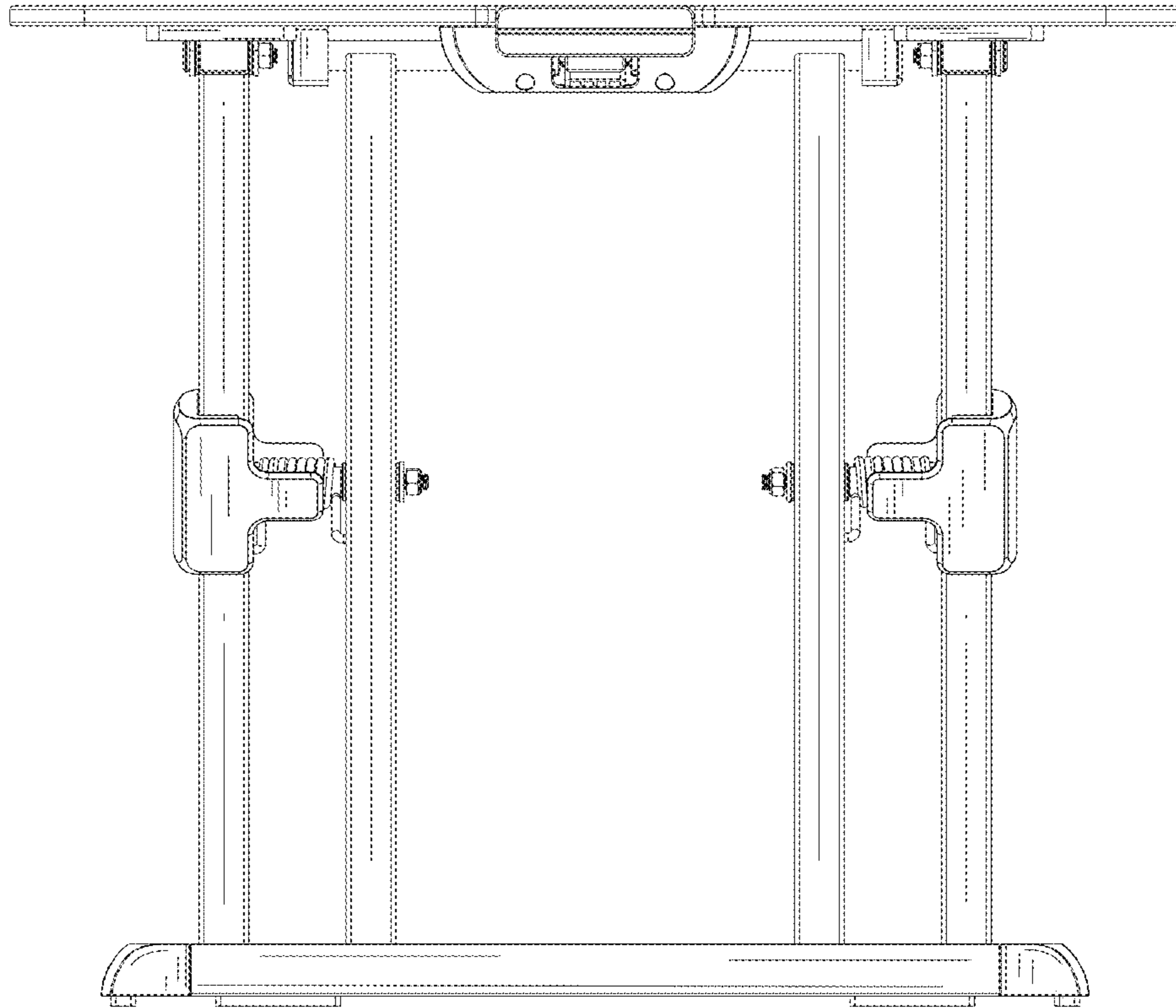


Fig.5

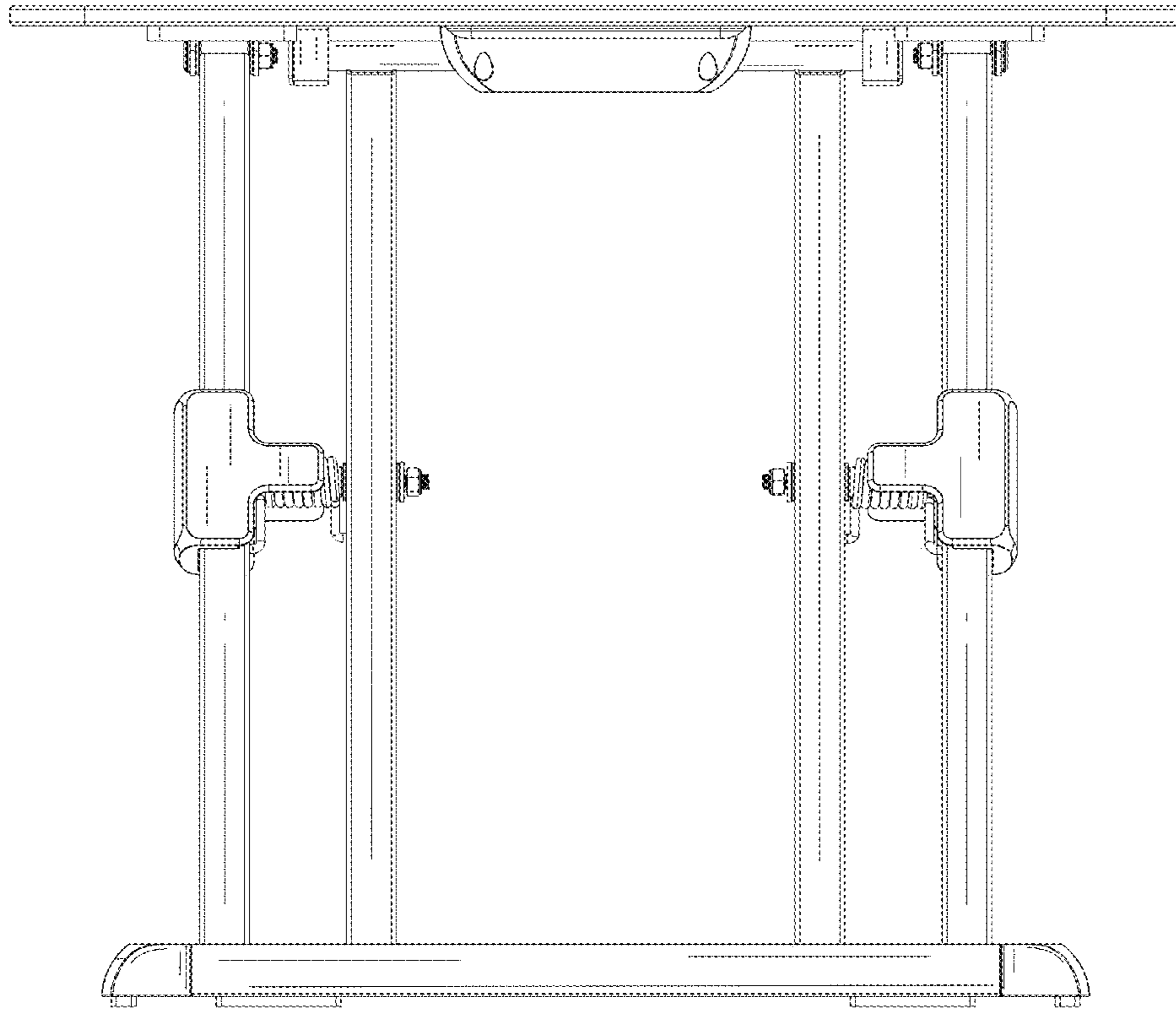


Fig.6

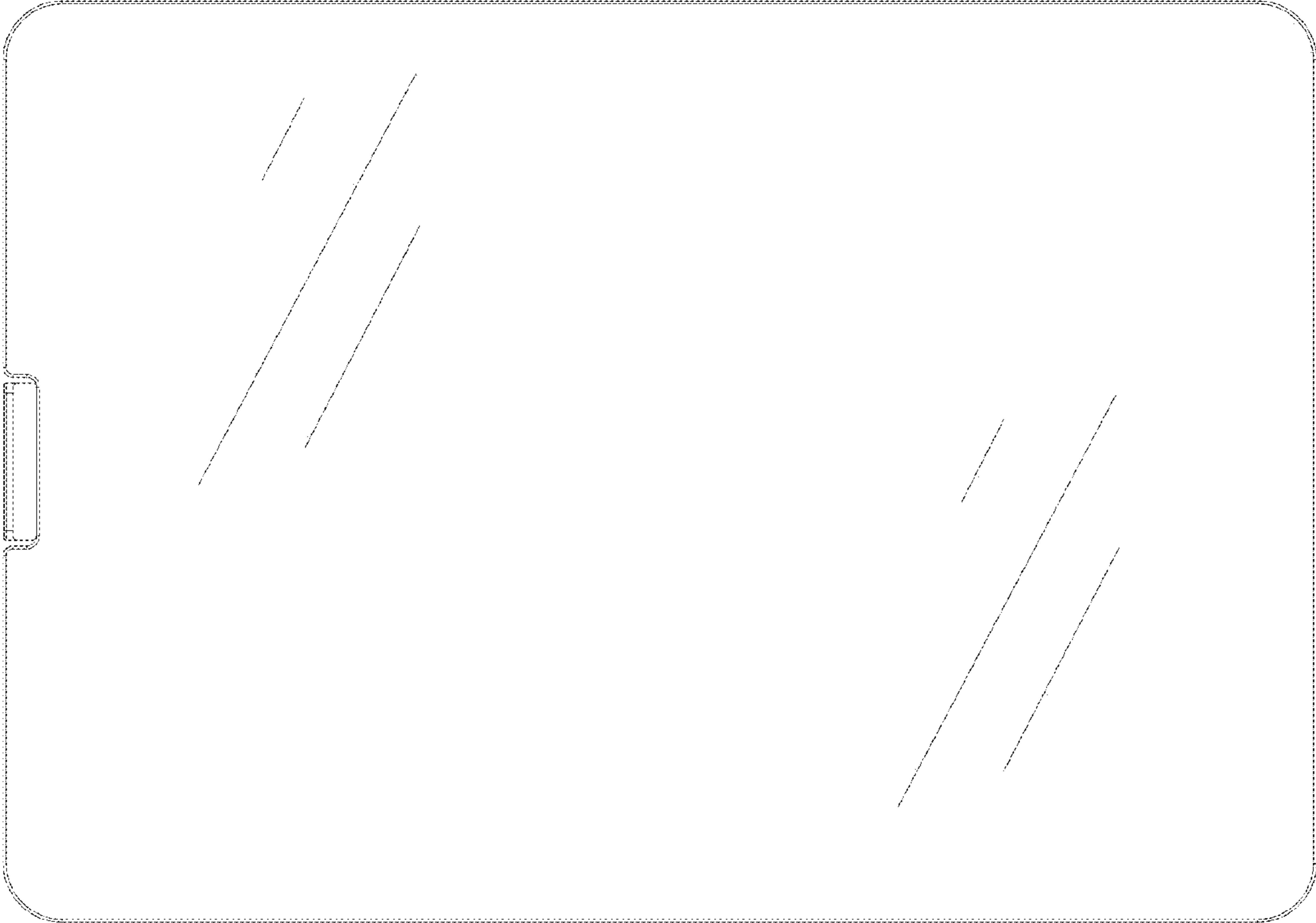


Fig.7

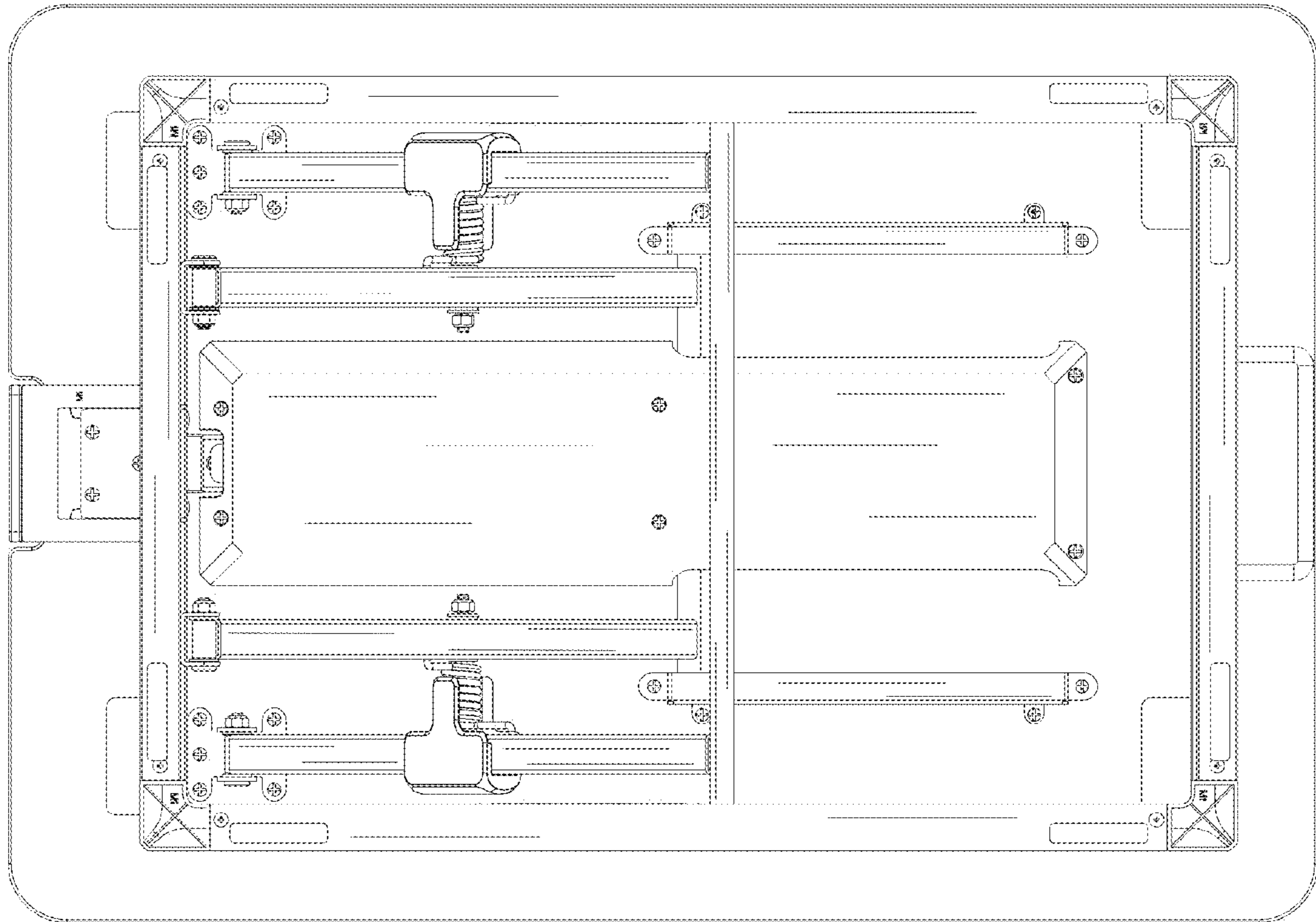


Fig.8