



US00D951681S

(12) **United States Design Patent** (10) **Patent No.:** **US D951,681 S**  
**You** (45) **Date of Patent:** **\*\* May 17, 2022**

(54) **WORKSTATION**

(71) Applicant: **NINGBO TUOTUO RIVER DESIGN COMPANY**, Zhejiang (CN)

(72) Inventor: **Xiaodong You**, Ningbo (CN)

(73) Assignee: **NINGBO TUOTUO RIVER DESIGN COMPANY**, Zhejiang (CN)

(\*\*) Term: **15 Years**

(21) Appl. No.: **29/747,772**

(22) Filed: **Aug. 25, 2020**

(51) **LOC (13) Cl.** ..... **06-03**

(52) **U.S. Cl.**

USPC ..... **D6/655.21**; D6/654.23; D6/655

(58) **Field of Classification Search**

USPC ..... D6/655.21, 654.1, 654, 654.21, 655, D6/654.18, 654.11, 654.14, 654.16, D6/654.17, 654.23, 655.11, 655.1, 655.14, D6/655.17, 655.18, 655.23, 656, 656.1, D6/656.12, 656.13, 656.16, 656.17, D6/656.19, 648.2, 648.3, 648.4, 652.2, D6/651.1, 651.2, 652.1, 653, 653.1, D6/653.11, 653.14, 653.16, 653.17, D6/653.18, 653.21, 653.23, 641, 642, D6/648, 691, 691.3, 691.9, 686, 691.5  
CPC .... A47B 2200/0062; A47B 2200/0054; A47B 2021/066; A47B 2200/0029; A47B 2200/0051; A47B 2200/52; A47B 2200/0059; A47B 220/006; A47B 220/0061; A47B 9/00; A47B 13/10; A47B 21/00; A47B 21/0314; A47B 3/00; A47B 3/002; A47B 7/00; A47B 9/06; A47B 9/16; A47B 2009/065; A47B 13/00; A47B 13/02; A47B 13/04; A47B 13/06; A47B 13/08; A47B 13/12; A47B 17/00; A47B 21/02; A47B 2200/0001; A47B 2200/0011; A47B 2200/002; A47B 2200/0035; A47B

(Continued)

(56) **References Cited**

U.S. PATENT DOCUMENTS

D730,668 S \* 6/2015 Fletcher ..... D6/707.22  
D771,981 S \* 11/2016 Flaherty ..... D6/655

(Continued)

FOREIGN PATENT DOCUMENTS

CN 306473622 \* 4/2021  
CN 306473623 \* 4/2021  
CN 306932300 \* 11/2021

OTHER PUBLICATIONS

Standing 32in Desk Converter by VIVO, first available: Sep. 11, 2017. Amazon.com [online], [site visited Nov. 16, 2021], Internet URL: <https://www.amazon.com/VIVO-Adjustable-Converter-Workstation-DESK-V000K/dp/B075JYG2TB?th=1> (Year: 2017).\*

(Continued)

*Primary Examiner* — Steven J Czyz

*Assistant Examiner* — Hillary Catherine Shepard

(74) *Attorney, Agent, or Firm* — Knobbe Martens Olson & Bear LLP

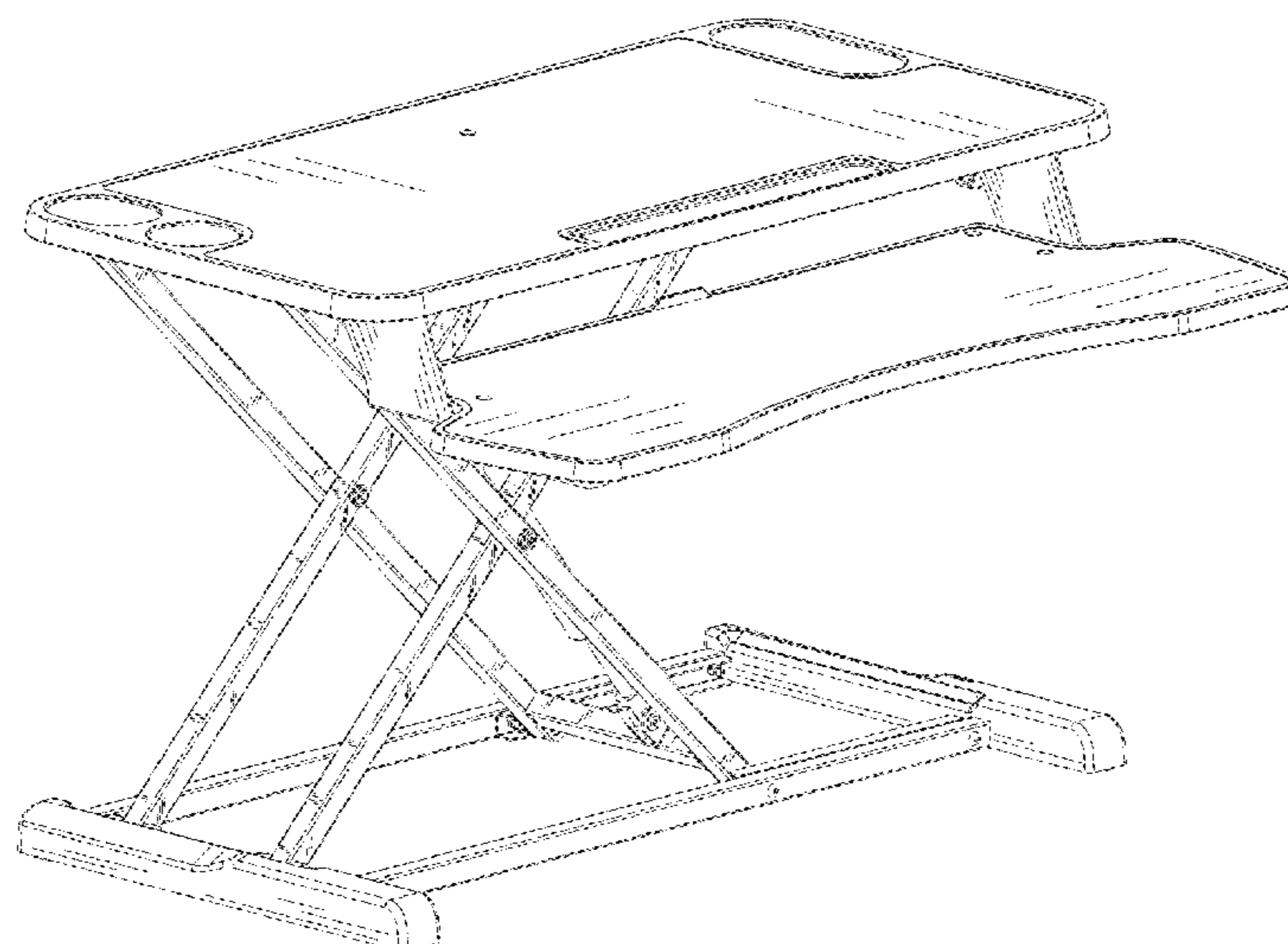
(57) **CLAIM**

The ornamental design for a workstation, as shown and described.

**DESCRIPTION**

FIG. 1 is a front perspective view of a workstation embodying my new design;  
FIG. 2 is a back perspective view thereof;  
FIG. 3 is a front view thereof;  
FIG. 4 is a back view thereof;  
FIG. 5 is a left side view thereof;  
FIG. 6 is a right side view thereof;  
FIG. 7 is a top view thereof; and,  
FIG. 8 bottom thereof.

**1 Claim, 8 Drawing Sheets**



(58) **Field of Classification Search**  
 CPC ..... 2200/0037; A47B 2200/004; A47B  
 2200/0066  
 See application file for complete search history.

(56) **References Cited**

U.S. PATENT DOCUMENTS

9,504,316 B1 \* 11/2016 Streicher ..... A47B 21/02  
 D781,617 S \* 3/2017 Flaherty ..... D6/655  
 D781,618 S \* 3/2017 Flaherty ..... D6/655  
 D781,619 S \* 3/2017 Flaherty ..... D6/655  
 D784,050 S \* 4/2017 Flaherty ..... D6/655  
 D814,214 S \* 4/2018 Flaherty ..... D6/648  
 D817,665 S \* 5/2018 Nielsen ..... D6/655.21  
 D830,739 S \* 10/2018 Min ..... D6/655  
 D832,002 S \* 10/2018 Hu ..... D6/655.13  
 D832,623 S \* 11/2018 Flaherty ..... D6/655  
 D836,952 S \* 1/2019 Hu ..... D6/648  
 D837,574 S \* 1/2019 Hu ..... D6/655  
 D841,369 S \* 2/2019 Hu ..... D6/655  
 D843,137 S \* 3/2019 Hu ..... D6/655  
 D845,037 S \* 4/2019 Min ..... D6/655  
 D845,678 S \* 4/2019 Laudadio ..... D6/649  
 D867,042 S \* 11/2019 Hu ..... D6/708  
 D870,490 S \* 12/2019 Hu ..... D6/655  
 10,517,390 B2 \* 12/2019 Xiang ..... A47B 9/10  
 D878,813 S \* 3/2020 Knapp ..... D6/655  
 D881,609 S \* 4/2020 Hu ..... D6/655  
 D882,986 S \* 5/2020 Knapp ..... D6/655  
 D882,987 S \* 5/2020 Hu ..... D6/656  
 D885,087 S \* 5/2020 Knapp ..... D6/655  
 D885,088 S \* 5/2020 Knapp ..... D6/655  
 10,813,448 B2 \* 10/2020 Lu ..... A47B 21/02  
 D901,959 S \* 11/2020 Chang ..... D6/709  
 10,893,748 B1 \* 1/2021 Poniatowski ..... A47B 21/06  
 D913,019 S \* 3/2021 Norwalk ..... D6/655  
 D916,532 S \* 4/2021 Chen ..... D6/656.16  
 D931,658 S \* 9/2021 Xing ..... D6/656

11,134,774 B1 \* 10/2021 Poniatowski ..... A47B 9/16  
 2014/0144352 A1 \* 5/2014 Roberts ..... A47B 9/18  
 108/96  
 2016/0338486 A1 \* 11/2016 Martin ..... A47B 9/16  
 2017/0290413 A1 \* 10/2017 Hu ..... A47B 9/02  
 2017/0340104 A1 \* 11/2017 Chuang ..... B66F 7/065  
 2017/0354245 A1 \* 12/2017 Martin ..... A47B 21/02  
 2017/0360192 A1 \* 12/2017 Hu ..... A47B 9/16  
 2018/0055214 A1 \* 3/2018 Kim ..... A47B 9/02  
 2018/0146775 A1 \* 5/2018 You ..... A47B 9/16  
 2018/0184797 A1 \* 7/2018 Chuang ..... A47B 9/16  
 2018/0192769 A1 \* 7/2018 Xiang ..... A47B 21/0314  
 2019/0110588 A1 \* 4/2019 Wong ..... A47B 21/02  
 2020/0029683 A1 \* 1/2020 Xiang ..... A47B 9/16  
 2020/0029685 A1 \* 1/2020 Du ..... A47B 21/02  
 2020/0107633 A1 \* 4/2020 Kang ..... A47B 21/02

OTHER PUBLICATIONS

Standing Desk Converter by Fenge Store, first available: Oct. 23, 2019. Amazon.co.uk [online], [site visited Nov. 16, 2021], Internet URL: [https://www.amazon.co.uk/Fenge-Converter-Adjustable-Workstation-SD315001WB/dp/B07ZJ35CD6/ref=sr\\_1\\_7](https://www.amazon.co.uk/Fenge-Converter-Adjustable-Workstation-SD315001WB/dp/B07ZJ35CD6/ref=sr_1_7) (Year: 2019).\*

Height Adjustable Desk by FITUEYES, first available: Apr. 26, 2020. Amazon.com [online], [site visited Nov. 16, 2021], Internet URL: [https://www.amazon.com/dp/B087P9DJJH/ref=sspa\\_dk\\_detail\\_6?th=1](https://www.amazon.com/dp/B087P9DJJH/ref=sspa_dk_detail_6?th=1) (Year: 2020).\*

Standing Desk Height Adjustable by PUTORSEN, first available: Dec. 13, 2019. Amazon.co.uk [online], [site visited Nov. 16, 2021], Internet URL: [https://www.amazon.co.uk/PUTORSEN%C2%AE-Adjustable-Converter-Ergonomic-Workstation-Hasd-282n/dp/B082PRSJQS/ref=sr\\_1\\_31](https://www.amazon.co.uk/PUTORSEN%C2%AE-Adjustable-Converter-Ergonomic-Workstation-Hasd-282n/dp/B082PRSJQS/ref=sr_1_31) (Year: 2019).\*

Standing Desk Converter by Rocelco, first available: May 28, 2021. Amazon.com [online], [site visited Nov. 16, 2021], Internet URL: [https://www.amazon.com/dp/B096487148/ref=sspa\\_dk\\_detail\\_1](https://www.amazon.com/dp/B096487148/ref=sspa_dk_detail_1) (Year: 2021).\*

\* cited by examiner

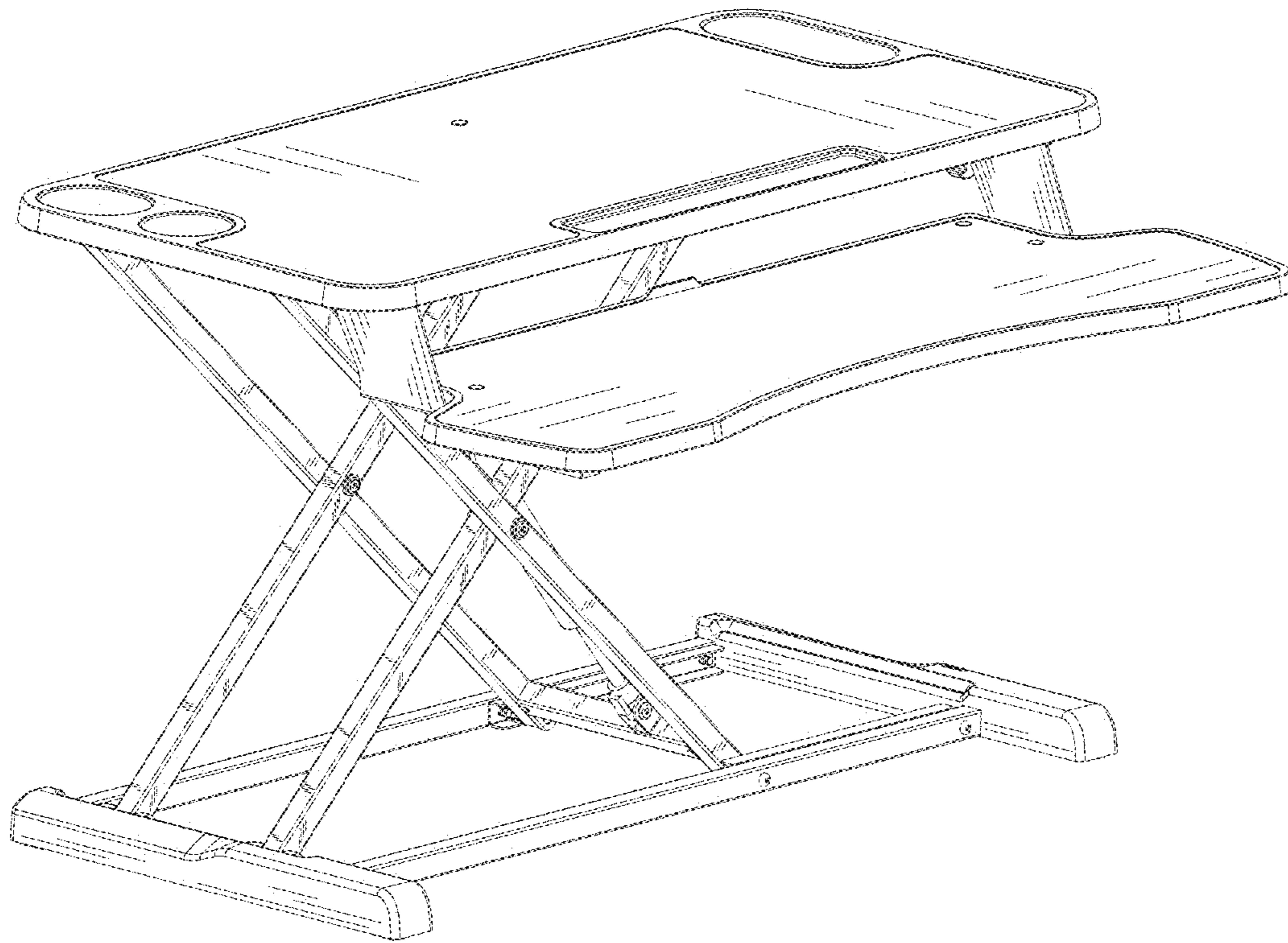


Fig. 1

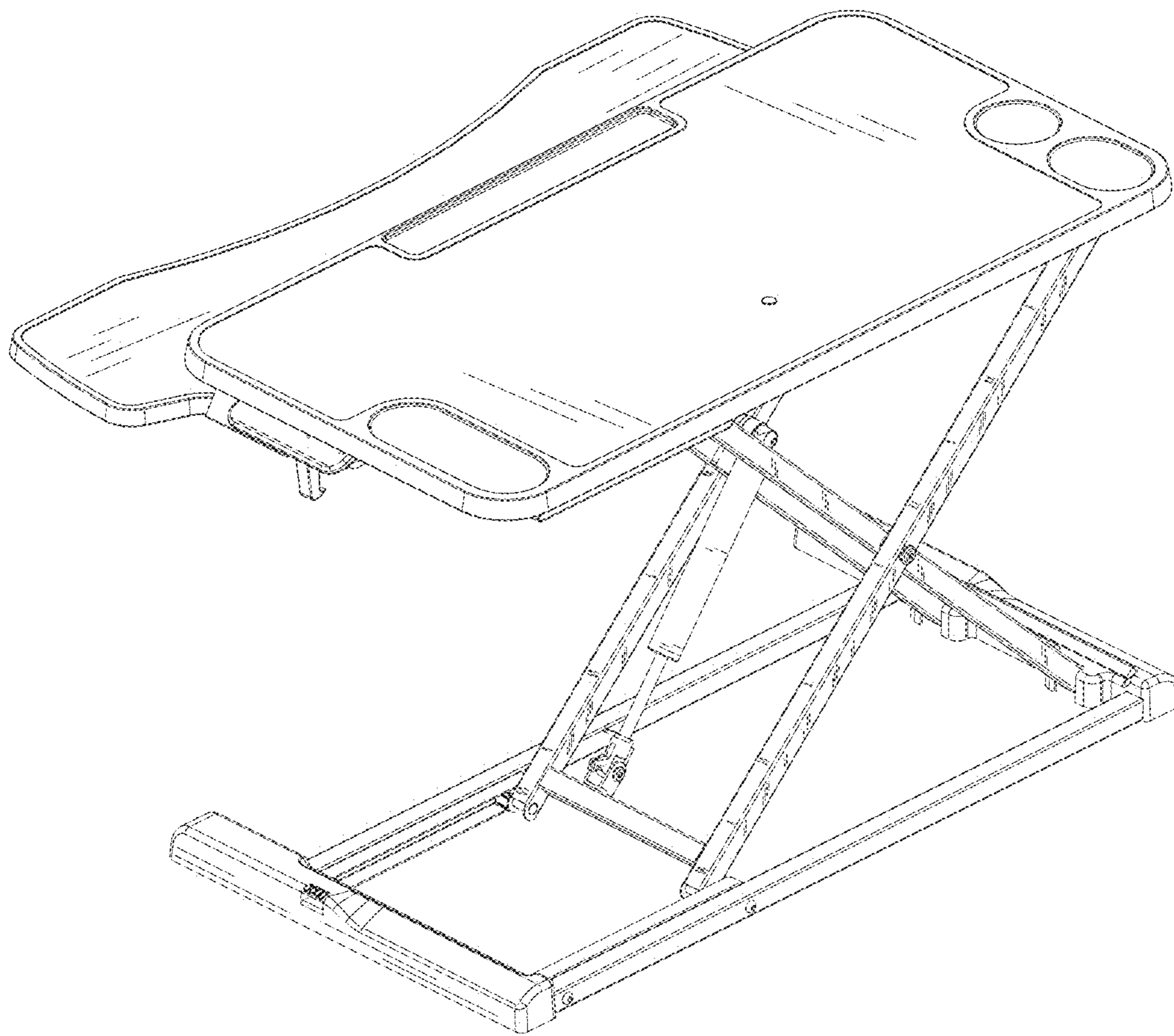


Fig. 2

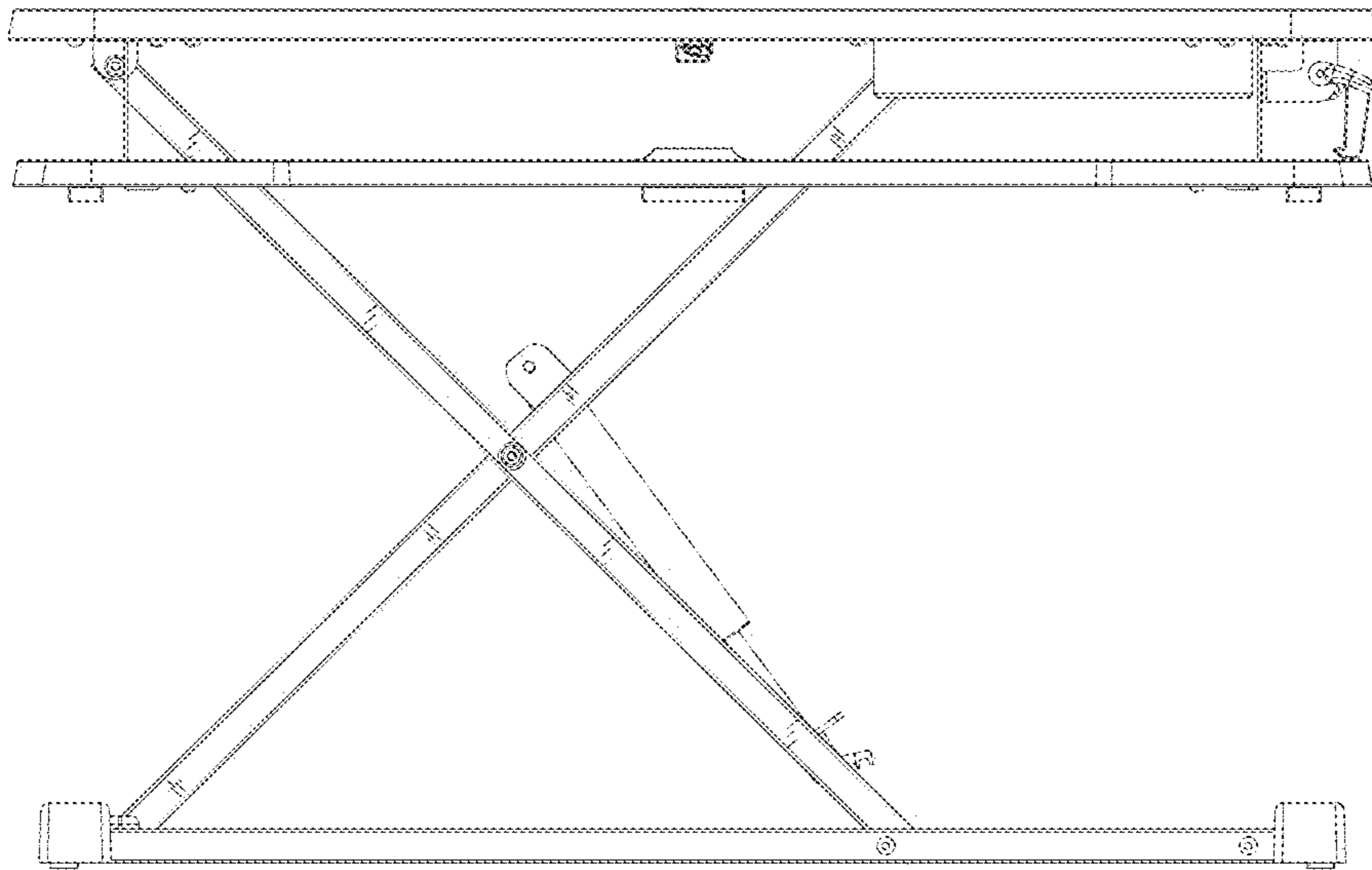


Fig. 3

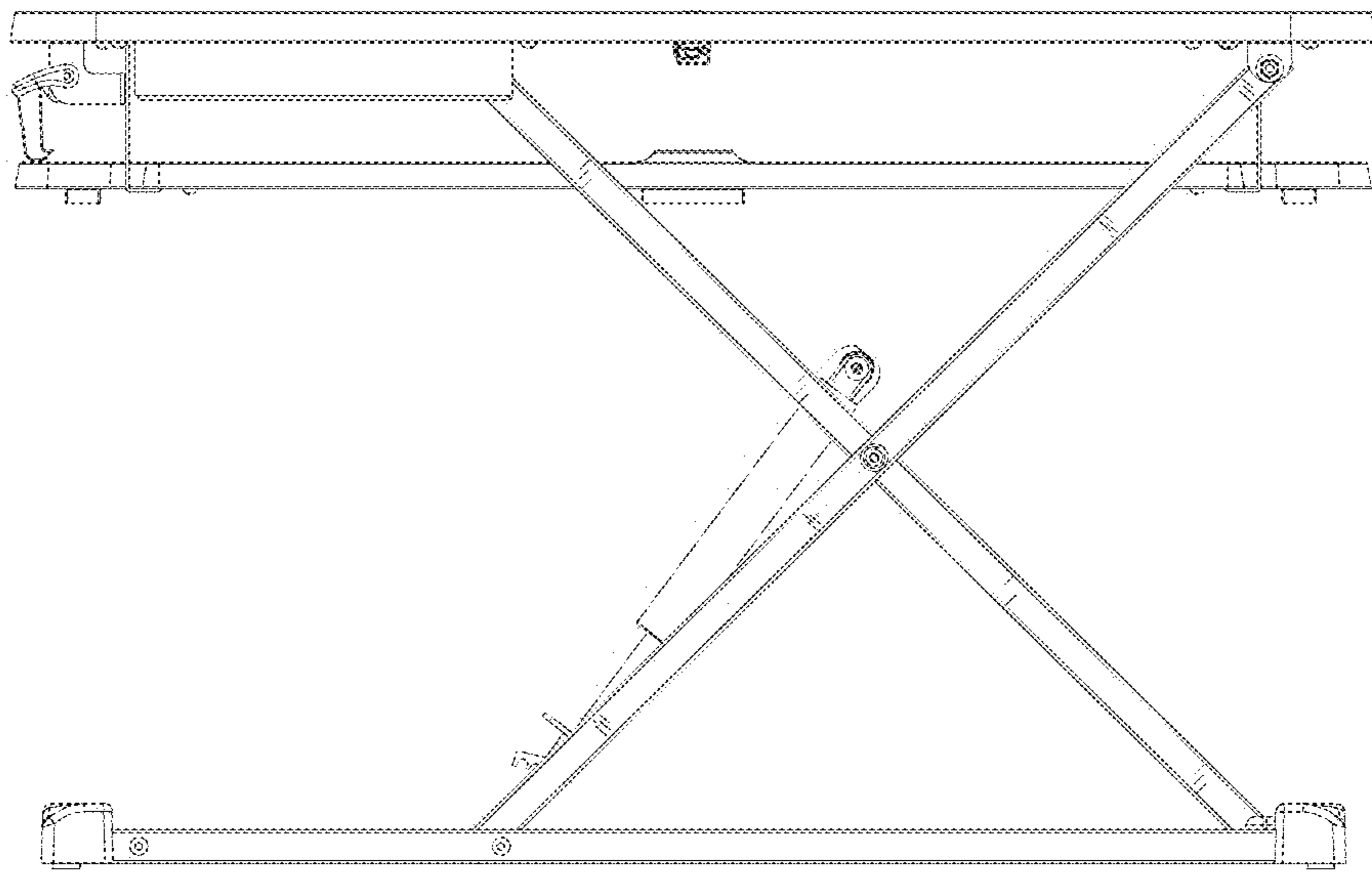


Fig. 4

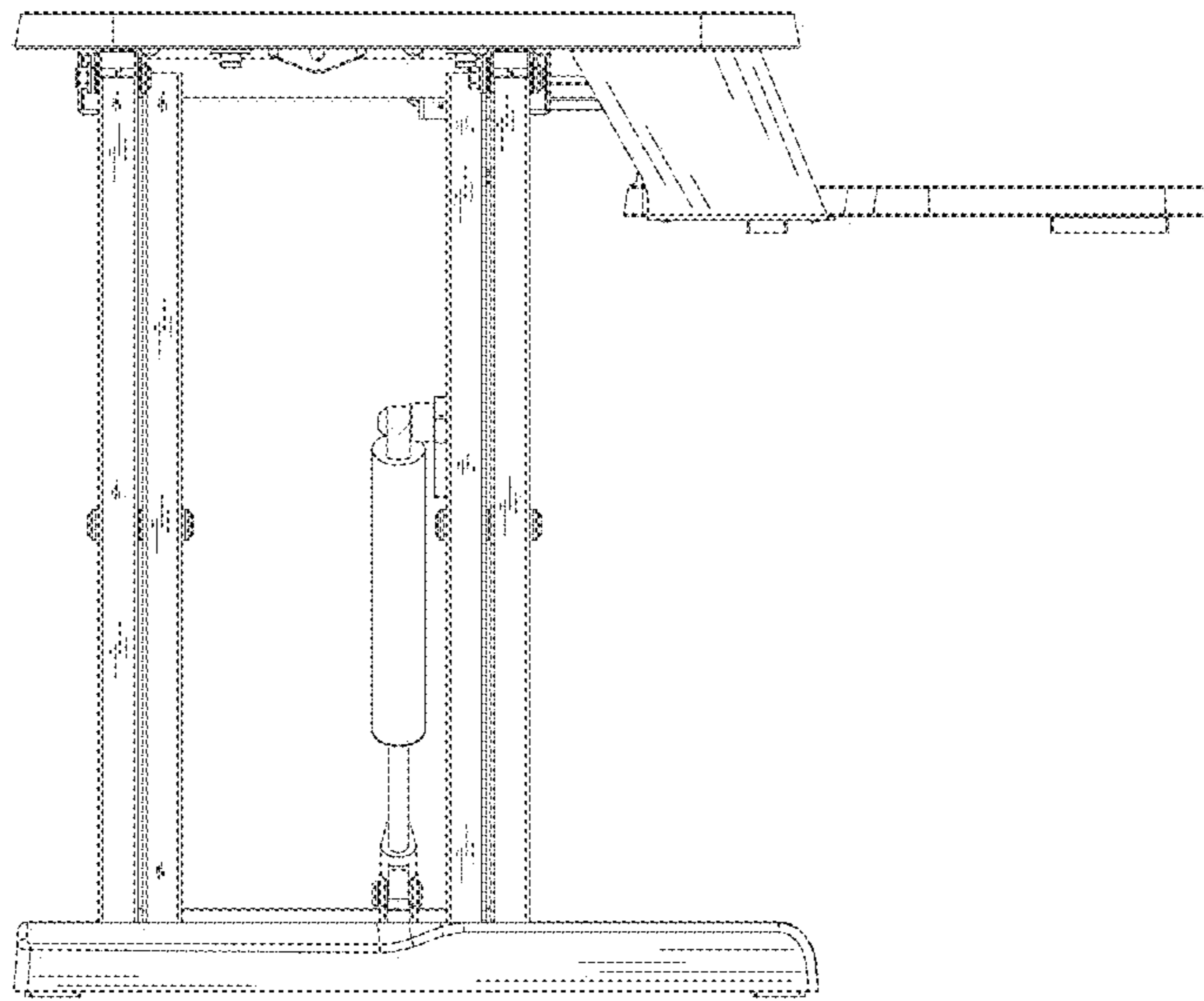


Fig. 5

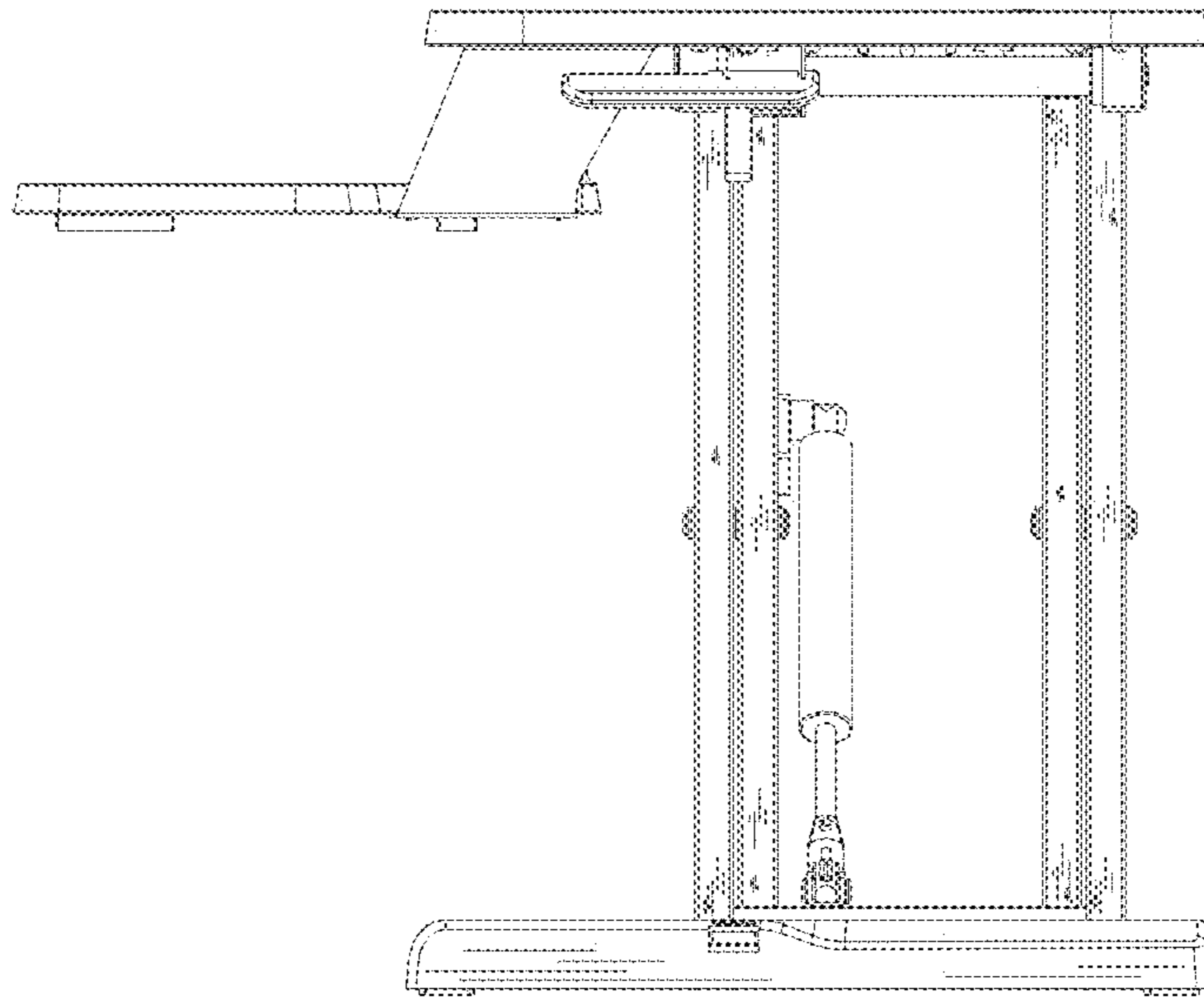


Fig. 6



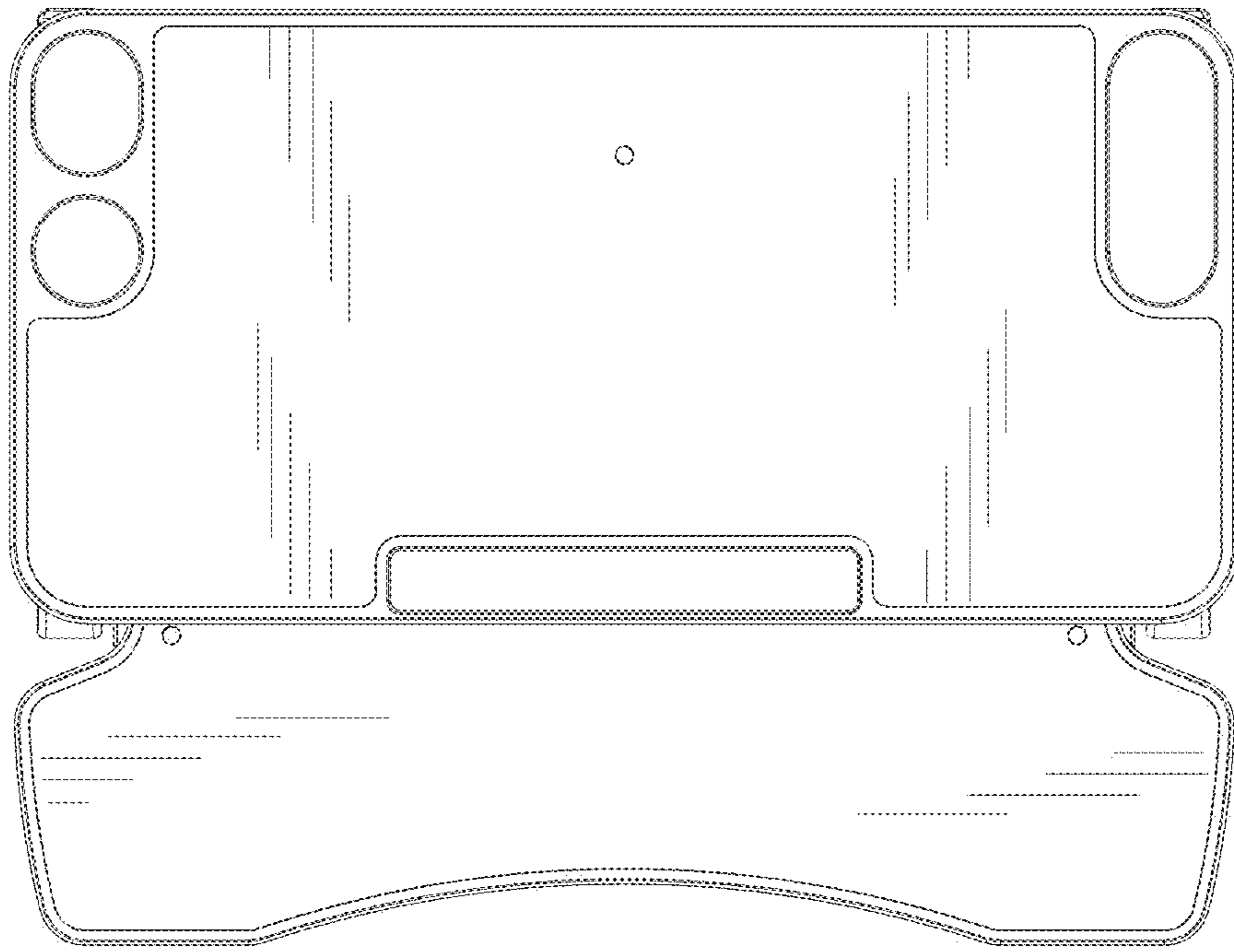


Fig. 7

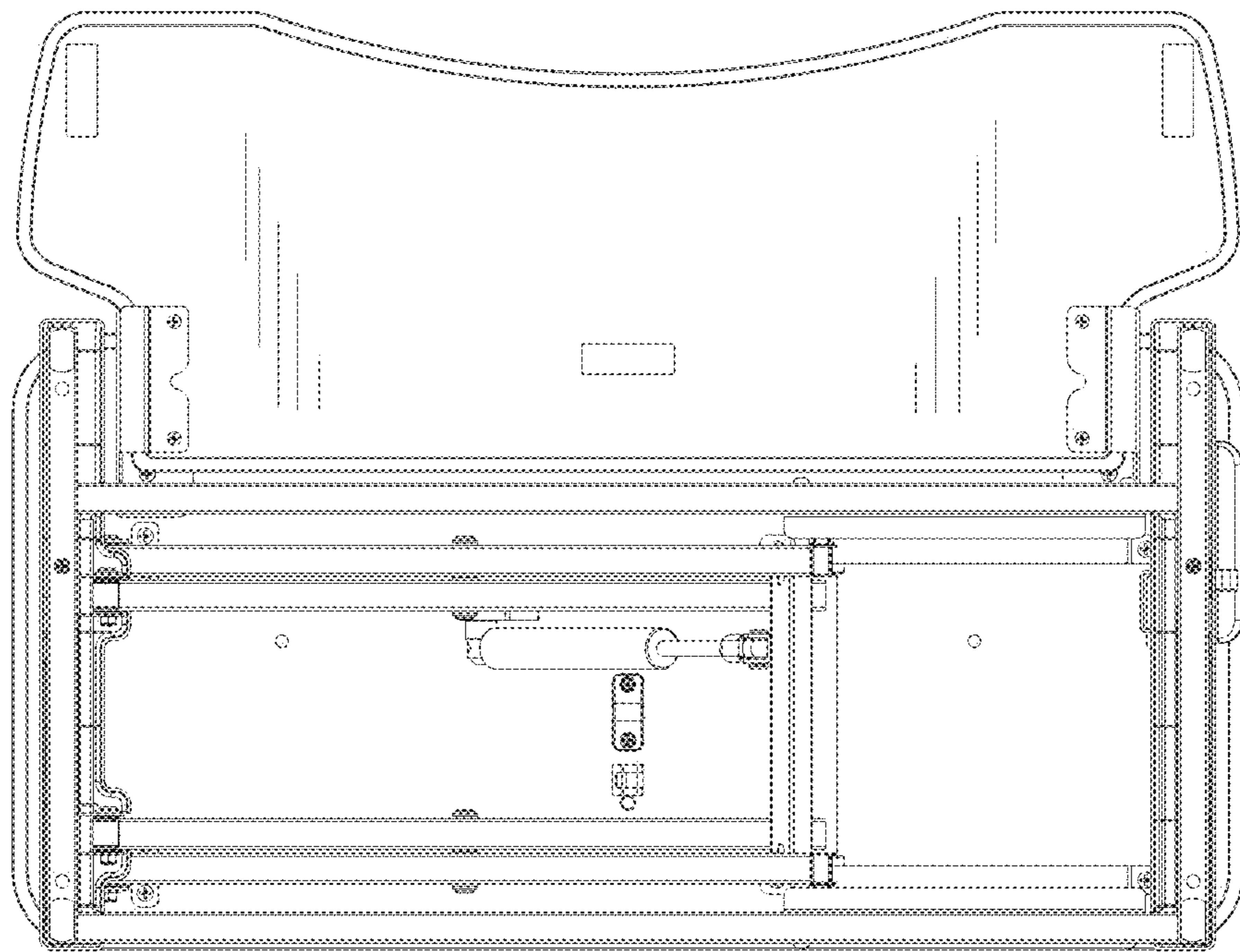


Fig. 8