



The broken lines shown in the drawings depict portions of the workstation in which the design is embodied that form no part of the claimed design.

**1 Claim, 10 Drawing Sheets**

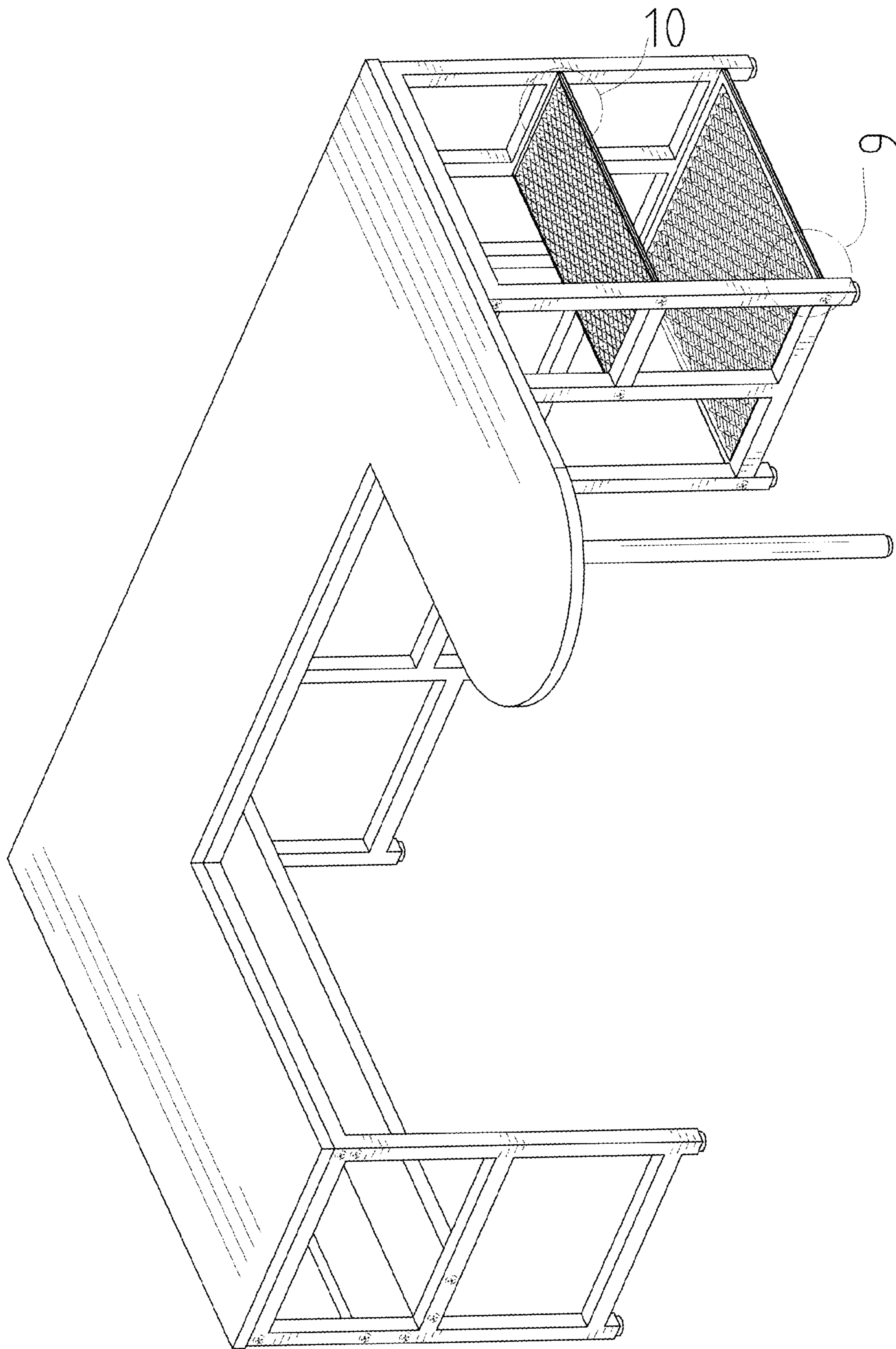


FIG. 1



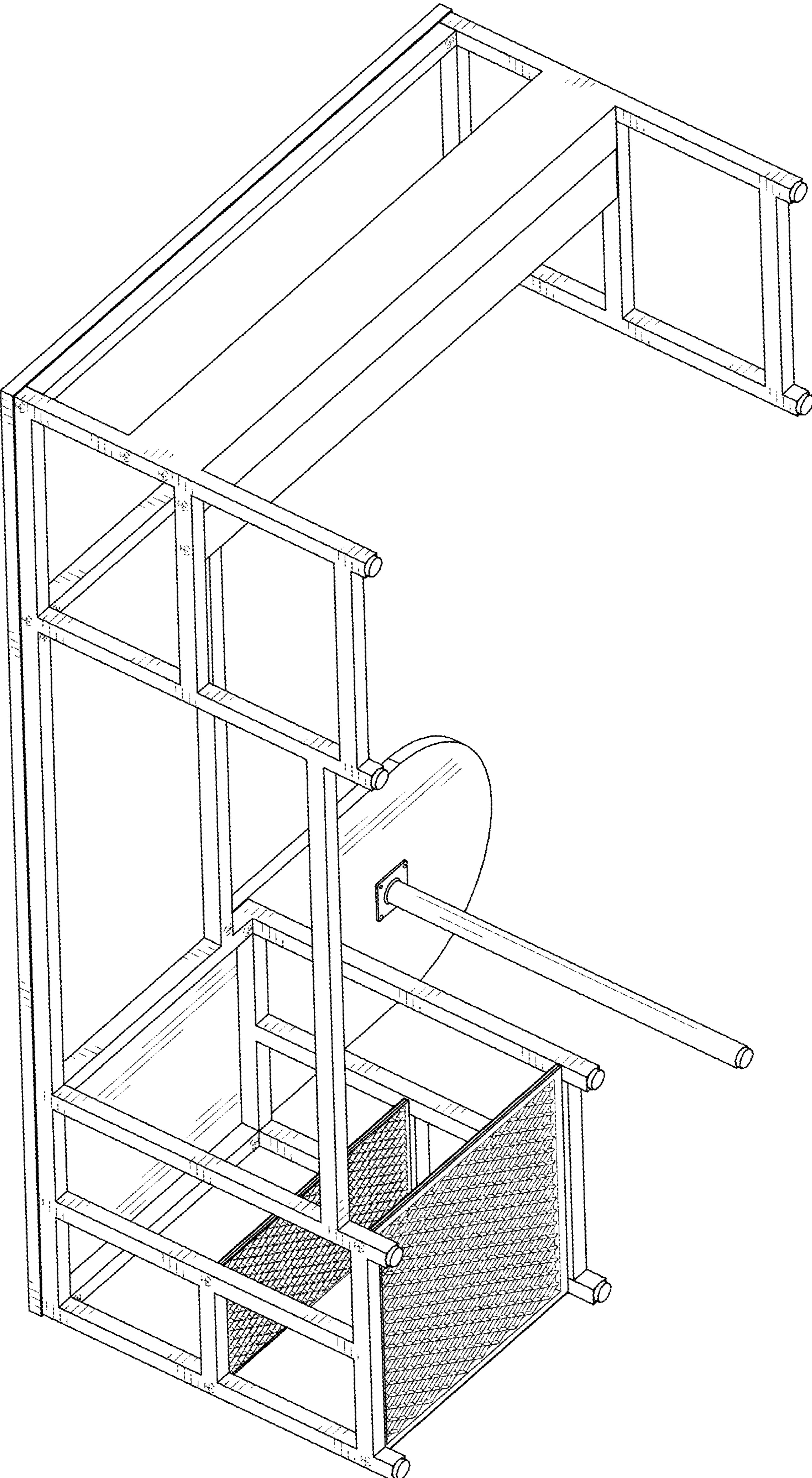


FIG. 2

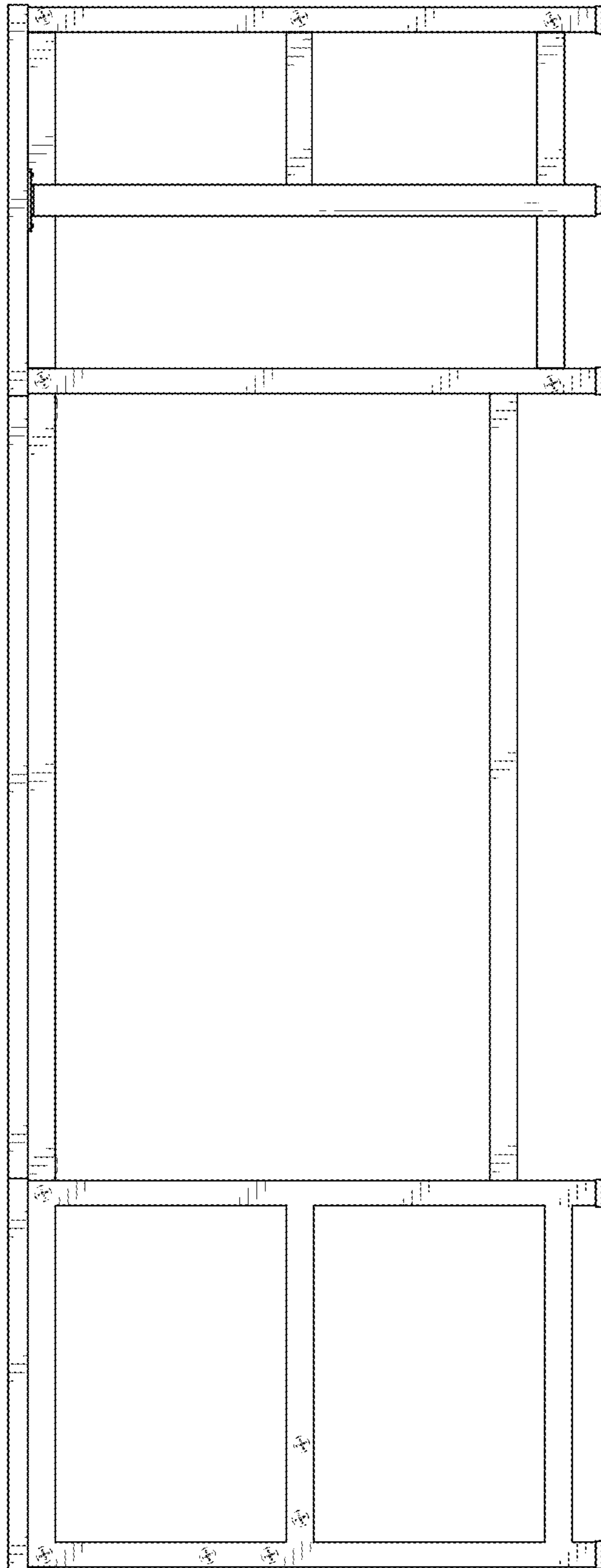


FIG. 3

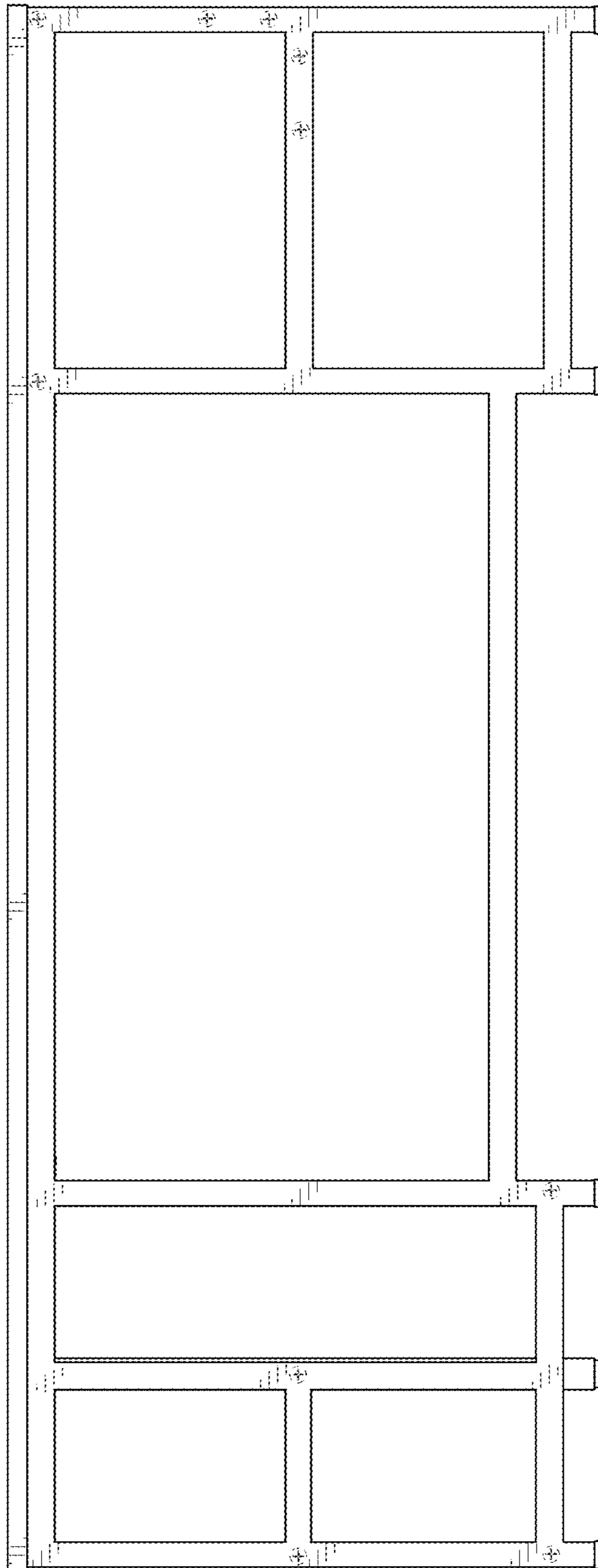


FIG. 4

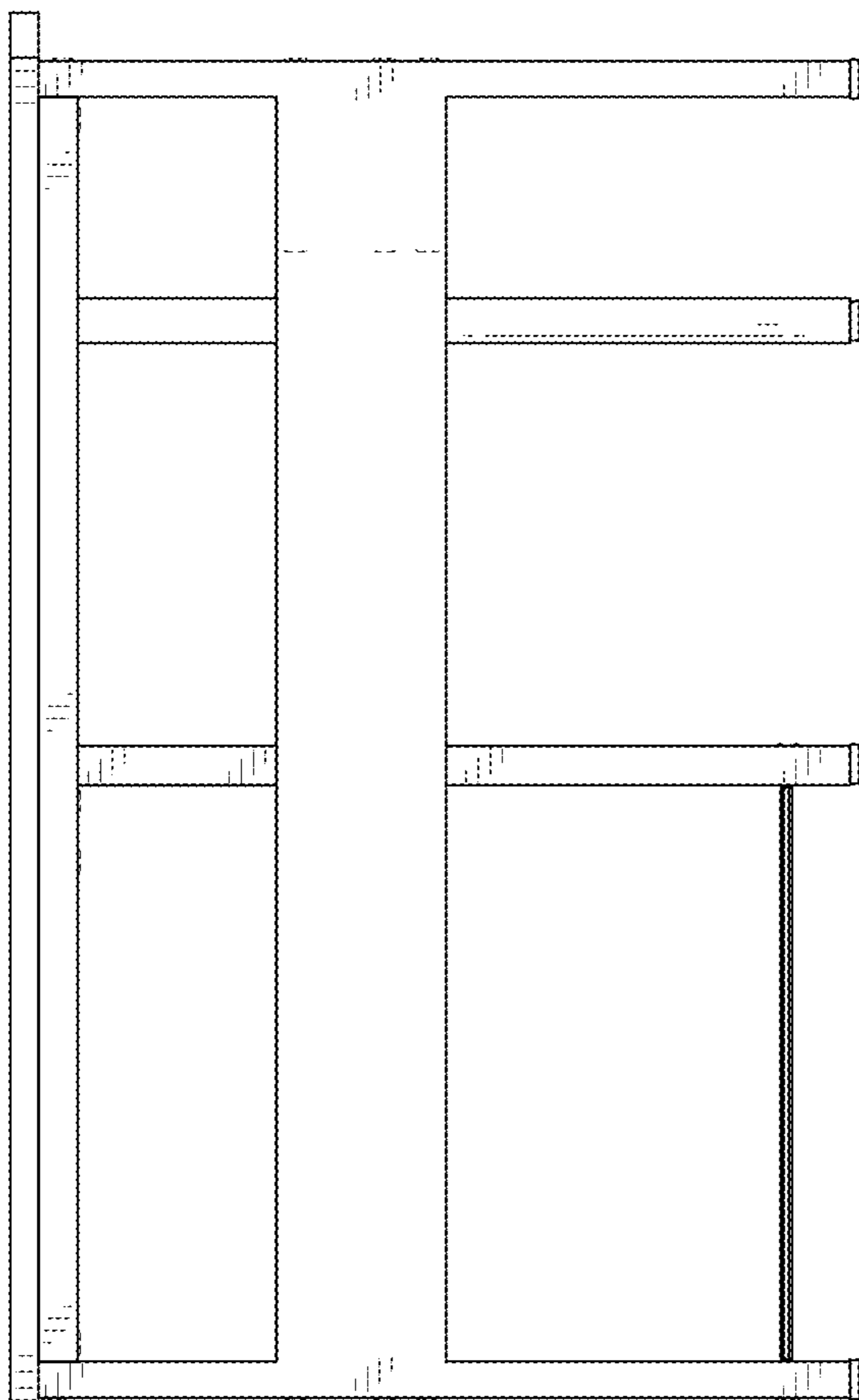


FIG. 5

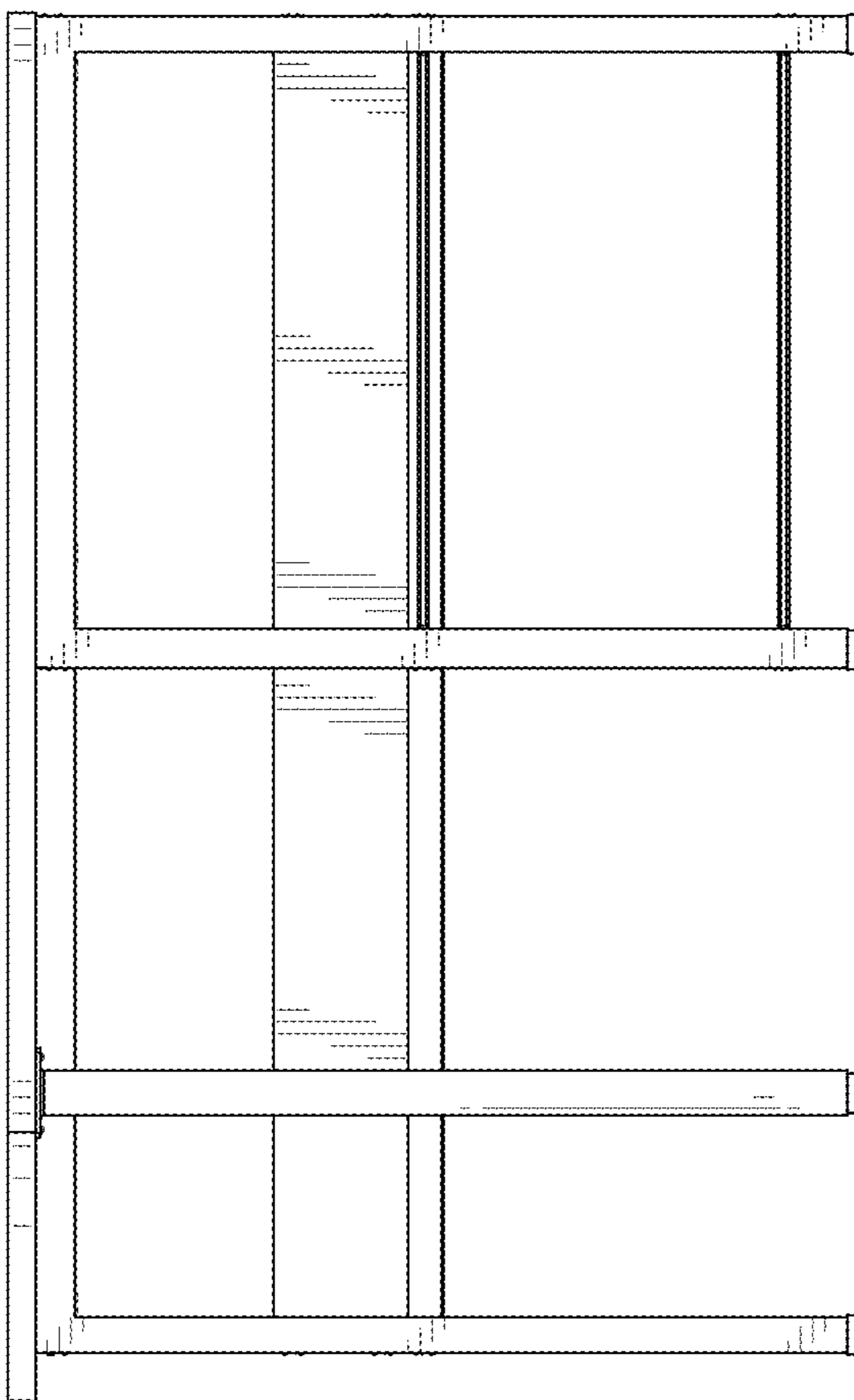


FIG. 6



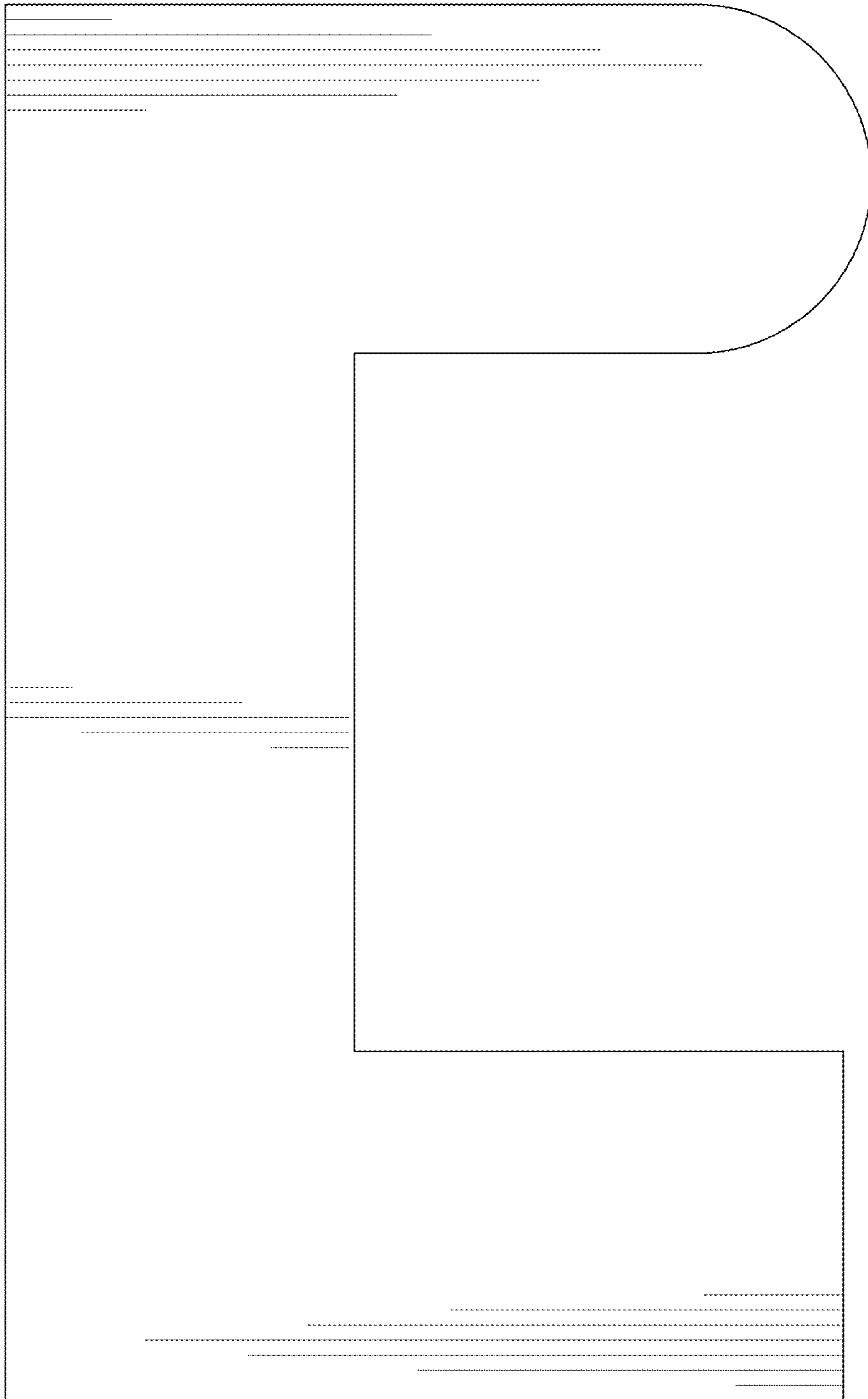


FIG. 7

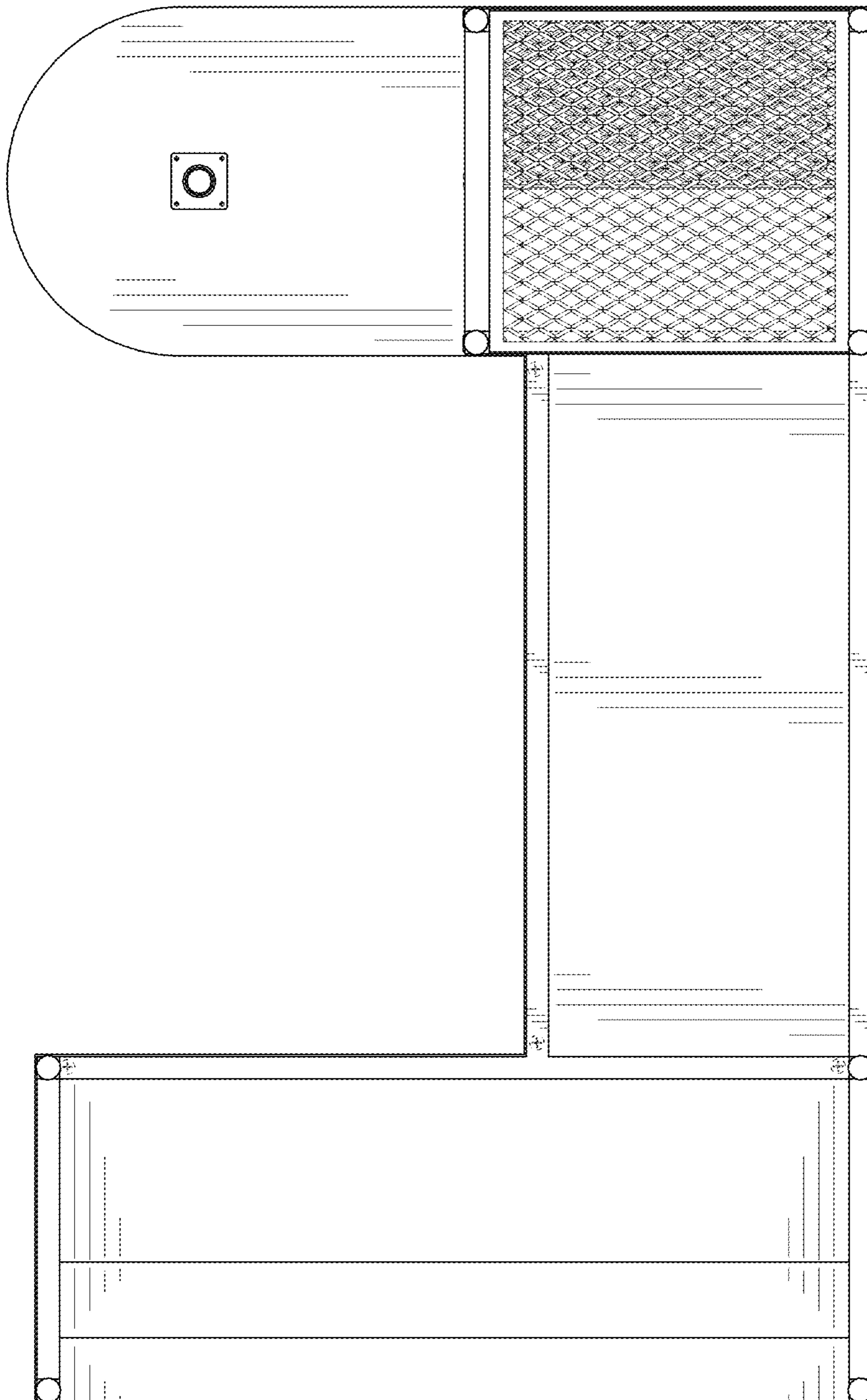


FIG. 8

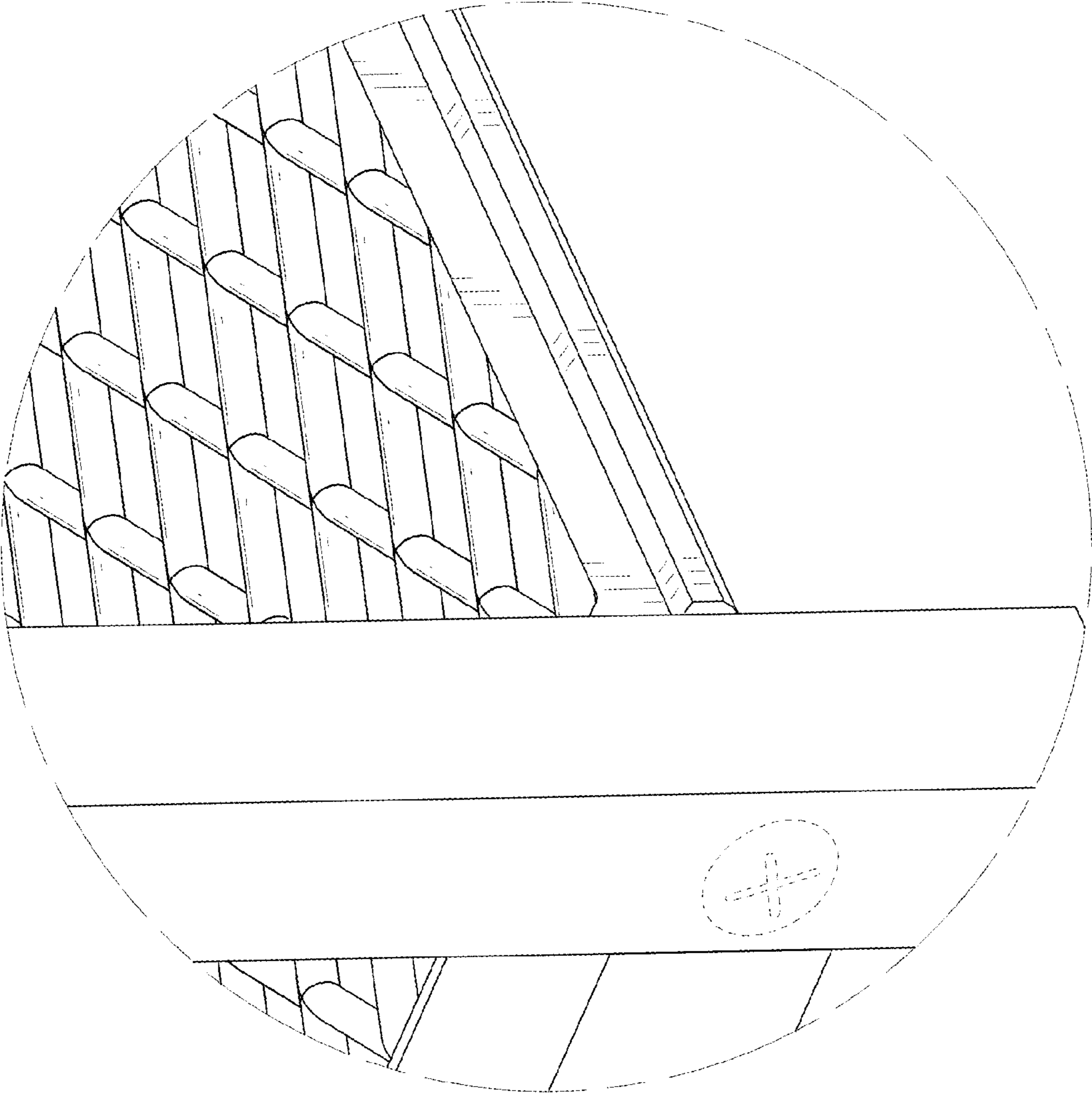


FIG. 9

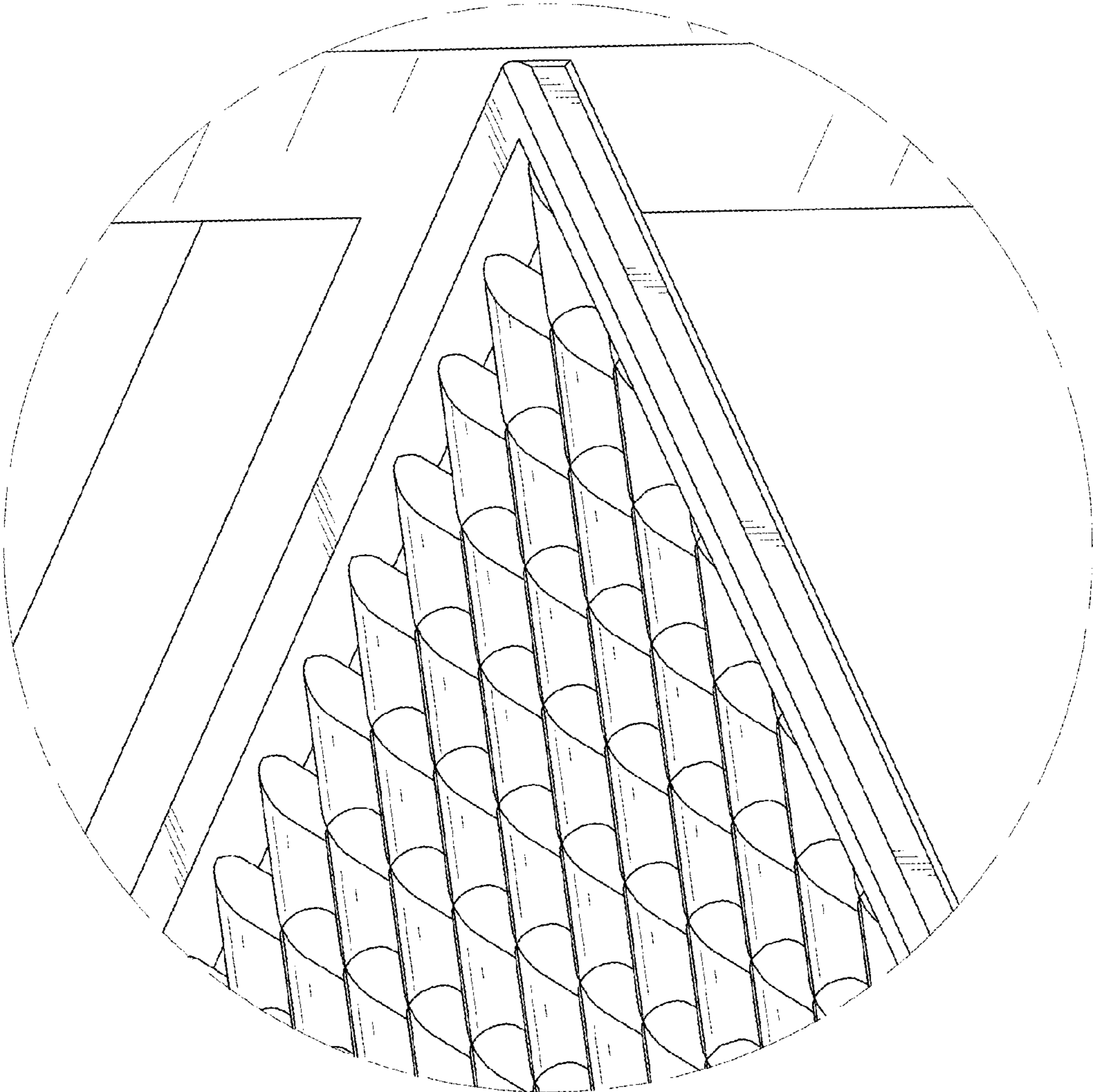


FIG. 10