



US00D951675S

(12) **United States Design Patent**  
**Feng**

(10) **Patent No.:** **US D951,675 S**

(45) **Date of Patent:** **\*\* May 17, 2022**

(54) **DOUBLE BATH TOWEL BAR**

(71) Applicant: **Chaowu Feng**, Gaozhou (CN)

(72) Inventor: **Chaowu Feng**, Gaozhou (CN)

(\*\*) Term: **15 Years**

(21) Appl. No.: **29/797,024**

(22) Filed: **Jun. 28, 2021**

(51) **LOC (13) Cl.** ..... **06-04**

(52) **U.S. Cl.**  
USPC ..... **D6/548**

(58) **Field of Classification Search**

USPC ..... D6/518-524, 546-550, 574; D8/300,  
D8/315, 370; 108/28-29; 211/13.1, 16,  
211/85.5, 86.01, 87.01, 88.04, 100, 105.1,  
211/105.2, 106, 106.1, 113, 123, 181.1,  
211/182-183; 242/570, 590, 595-598;  
248/175, 176.1, 200, 201, 205.1, 251,  
248/302, 309.1, 315  
CPC .... A47K 10/10; A47K 10/04; A47K 2201/02;  
A47K 2201/00; Y10S 16/40; Y10S 16/41;  
Y10T 16/458; Y10T 16/462; Y10T  
16/513  
See application file for complete search history.

(56) **References Cited**

**U.S. PATENT DOCUMENTS**

D514,857 S \* 2/2006 Hoernig ..... D6/548  
D575,089 S \* 8/2008 Krumpke ..... D6/548

D668,494 S 10/2012 Nazario  
D668,900 S \* 10/2012 Romero ..... D6/548  
D717,565 S \* 11/2014 Goodman ..... D6/513  
D923,964 S \* 7/2021 Seum ..... D6/549

\* cited by examiner

*Primary Examiner* — Lilyana Bekic

*Assistant Examiner* — Mark Booker

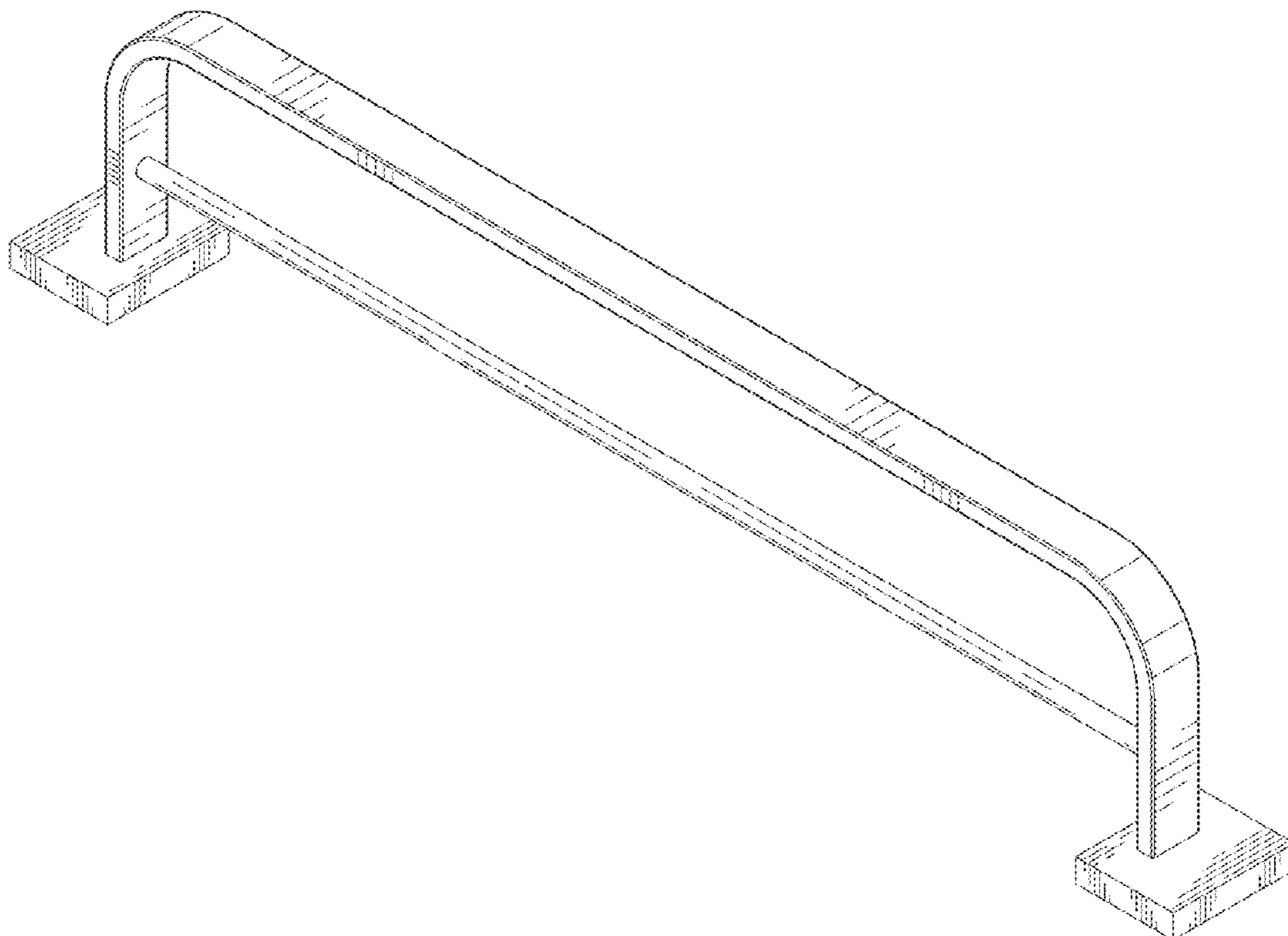
(57) **CLAIM**

The ornamental design for a double bath towel bar, as shown and described.

**DESCRIPTION**

FIG. 1 is a front and top perspective view of a double bath towel bar, showing my new design;  
FIG. 2 is a front elevation view thereof;  
FIG. 3 is a rear elevation view thereof;  
FIG. 4 is a left side elevation view thereof;  
FIG. 5 is a right side elevation view thereof;  
FIG. 6 is a top plan view thereof; and,  
FIG. 7 is a bottom plan view thereof.  
The broken lines in the figures illustrate portions of the double bath towel bar that form no part of the claimed design.

**1 Claim, 7 Drawing Sheets**



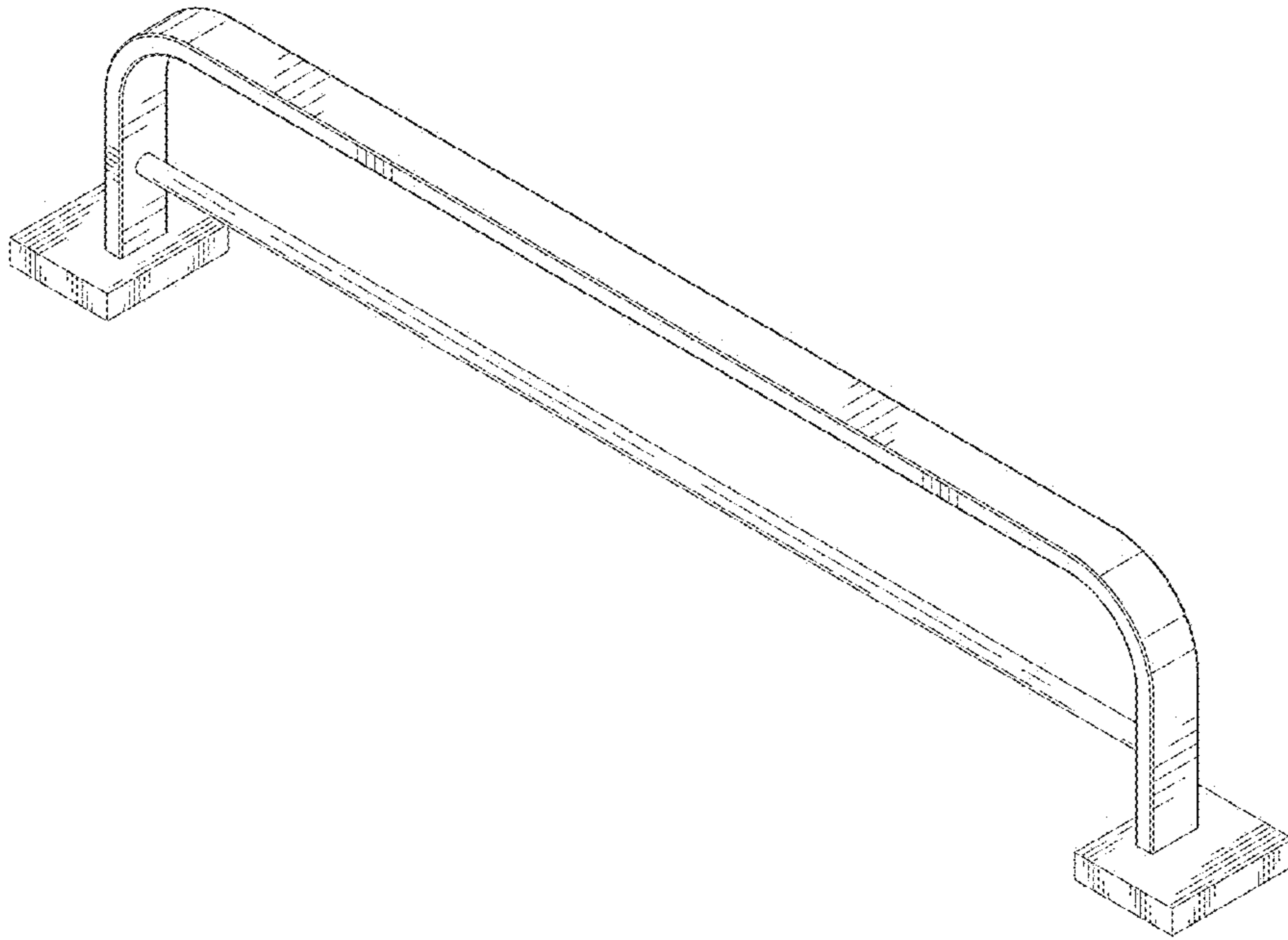


FIG. 1

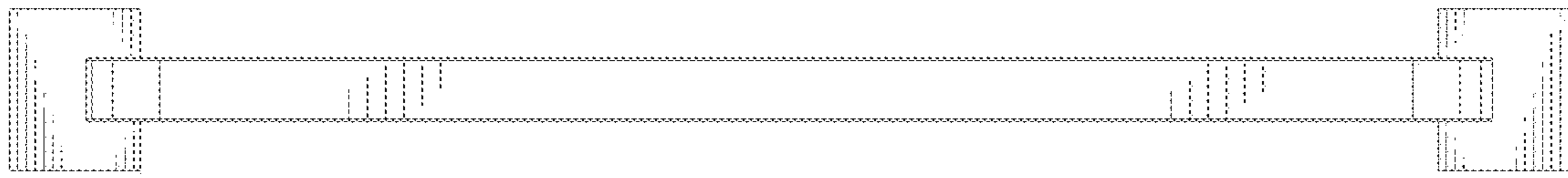


FIG. 2

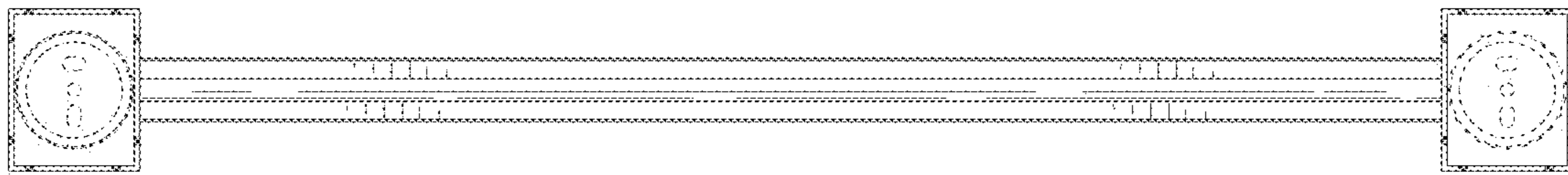


FIG. 3

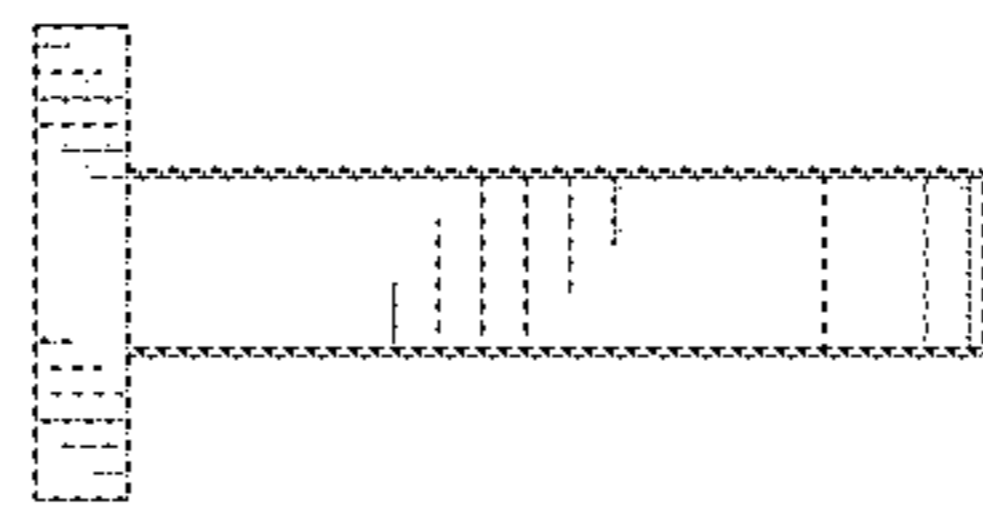


FIG. 4

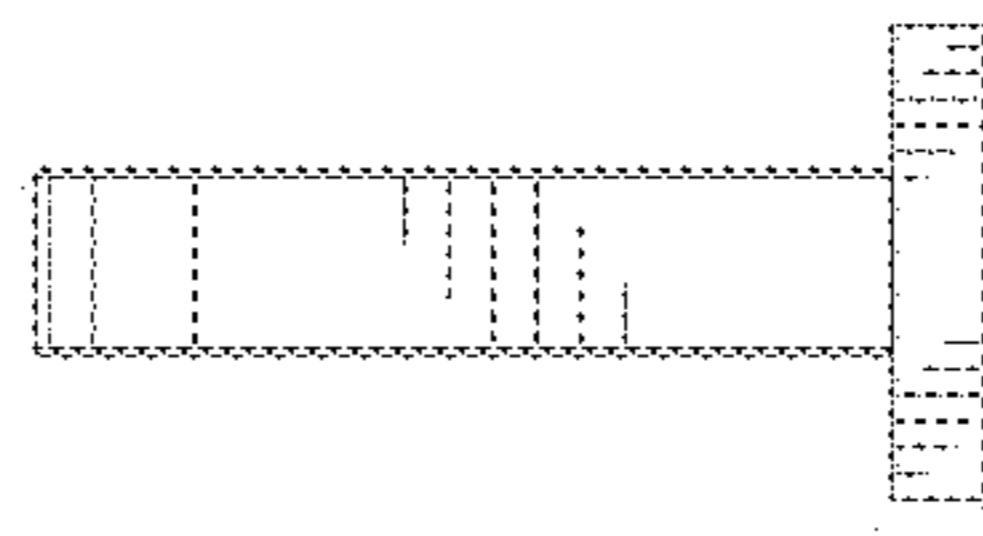


FIG. 5

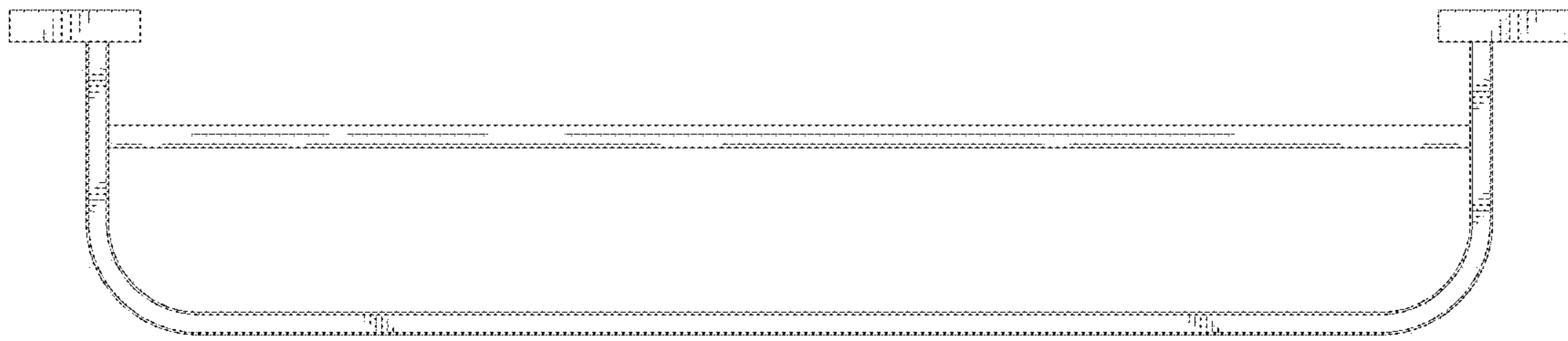


FIG. 6

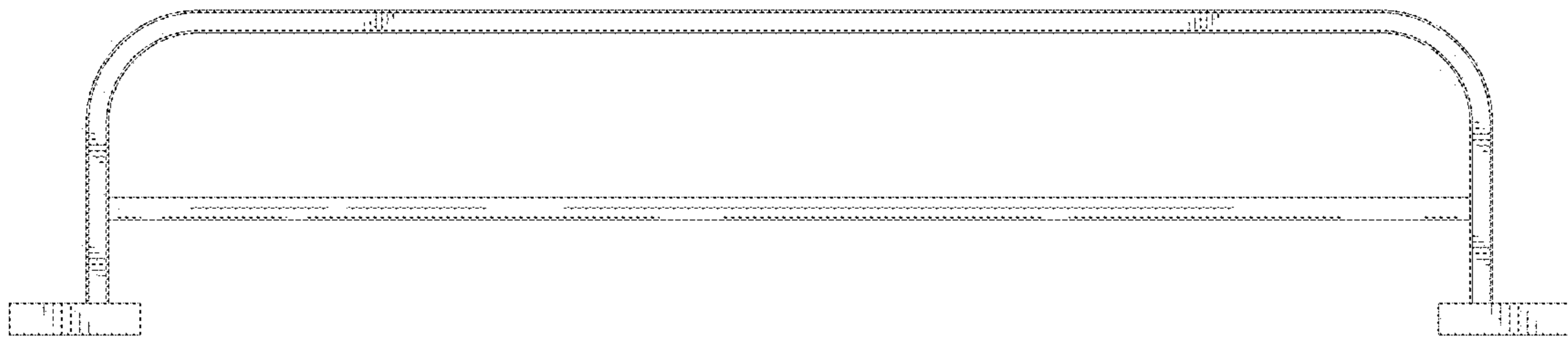


FIG. 7