



US00D951673S

(12) **United States Design Patent**
Liu

(10) **Patent No.:** **US D951,673 S**

(45) **Date of Patent:** **** May 17, 2022**

(54) **PAPER TOWEL HOLDER**

(71) Applicant: **Liqi Liu**, Guangdong (CN)

(72) Inventor: **Liqi Liu**, Guangdong (CN)

(**) Term: **15 Years**

(21) Appl. No.: **29/760,330**

(22) Filed: **Dec. 1, 2020**

(51) **LOC (13) Cl.** **23-02**

(52) **U.S. Cl.**
USPC **D6/522**

(58) **Field of Classification Search**
USPC D6/518-522; 206/389, 391; 211/13.1,
211/45, 59.1, 89.01; 221/14, 92, 105,
221/146.1, 146.2, 649; 222/281-282;
242/520, 590, 595-598; 312/34.8
CPC A47K 10/04; A47K 10/02; A47K 10/10;
A47K 10/3836; A47K 2010/324; A47K
2010/389; A47K 10/38; B08B 1/006
See application file for complete search history.

(56) **References Cited**

U.S. PATENT DOCUMENTS

D461,082 S *	8/2002	Snell	D6/522
D477,730 S *	7/2003	Hoernig	D6/521
D486,333 S *	2/2004	Hoernig	D6/521
D518,985 S *	4/2006	Yang	D6/521
D532,228 S *	11/2006	Snell	D6/522
D553,887 S *	10/2007	Goodman	D6/513
D716,070 S	10/2014	Goodman		
D844,329 S	4/2019	Goodman		

D859,029 S *	9/2019	Mariano	D6/522
D878,076 S	3/2020	Xayoiphonh		
D894,630 S	9/2020	Gee		
D916,491 S *	4/2021	Chen	D6/522
D919,319 S *	5/2021	Hu	D6/522
D919,320 S *	5/2021	Zhong	D6/522
D930,387 S *	9/2021	Liang	D6/522
2006/0231673 A1	10/2006	Wardell		
2009/0078815 A1 *	3/2009	Tong	A47K 10/38 242/557
2016/0256018 A1 *	9/2016	Viessman	A47K 10/3836

* cited by examiner

Primary Examiner — Nathan M Johnston

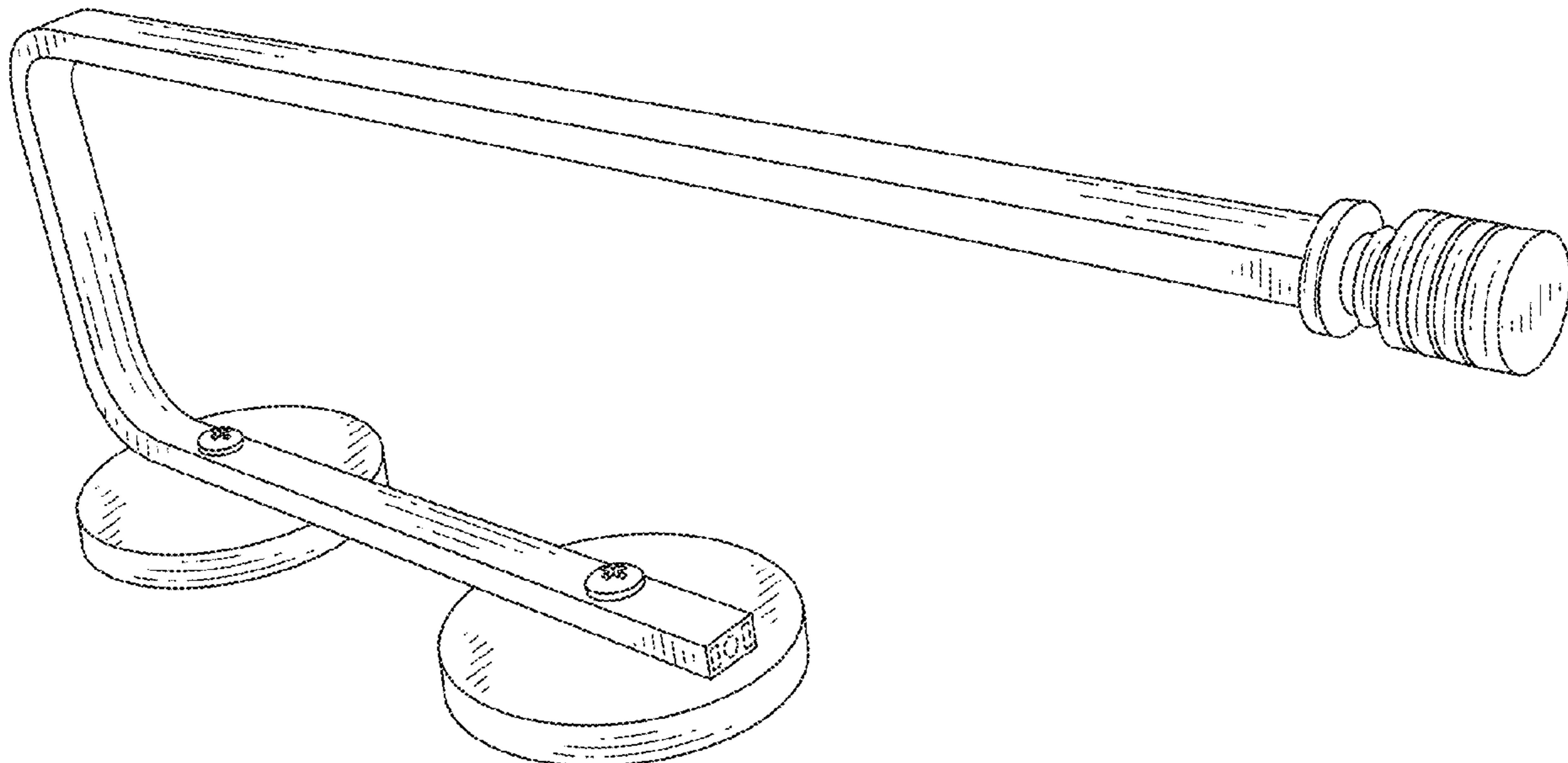
(57) **CLAIM**

The ornamental design for a paper towel holder, as shown and described.

DESCRIPTION

FIG. 1 is a perspective view of a paper towel holder showing my new design;
FIG. 2 is a front elevational view thereof;
FIG. 3 is a rear elevational view thereof;
FIG. 4 is a left side elevational view thereof;
FIG. 5 is a right side elevational view thereof;
FIG. 6 is a top plan view thereof; and,
FIG. 7 is a bottom plan view thereof.
The broken lines throughout the drawing figures depict portions of the paper towel holder that form no part of the claimed design.

1 Claim, 7 Drawing Sheets



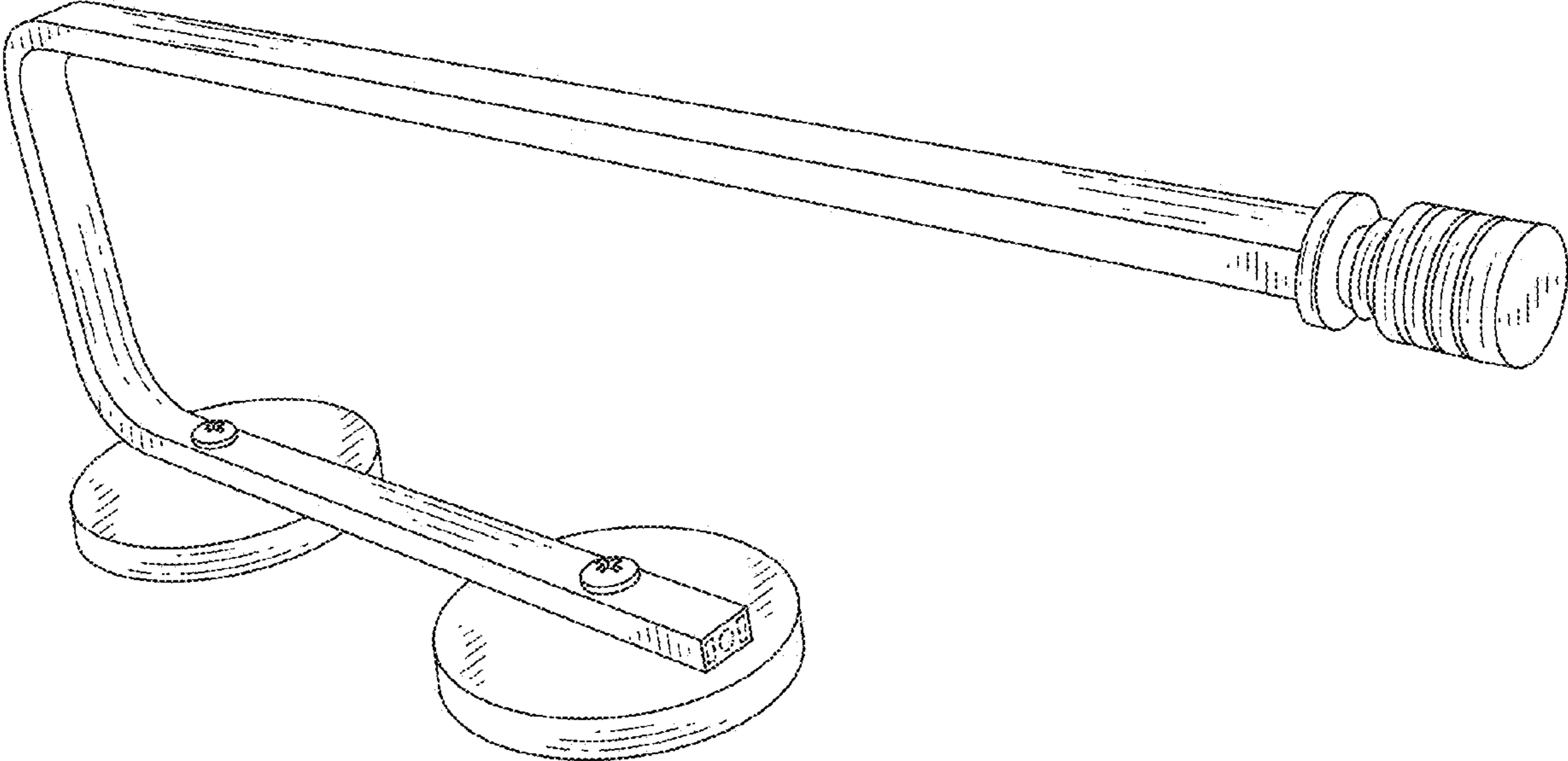


FIG.1

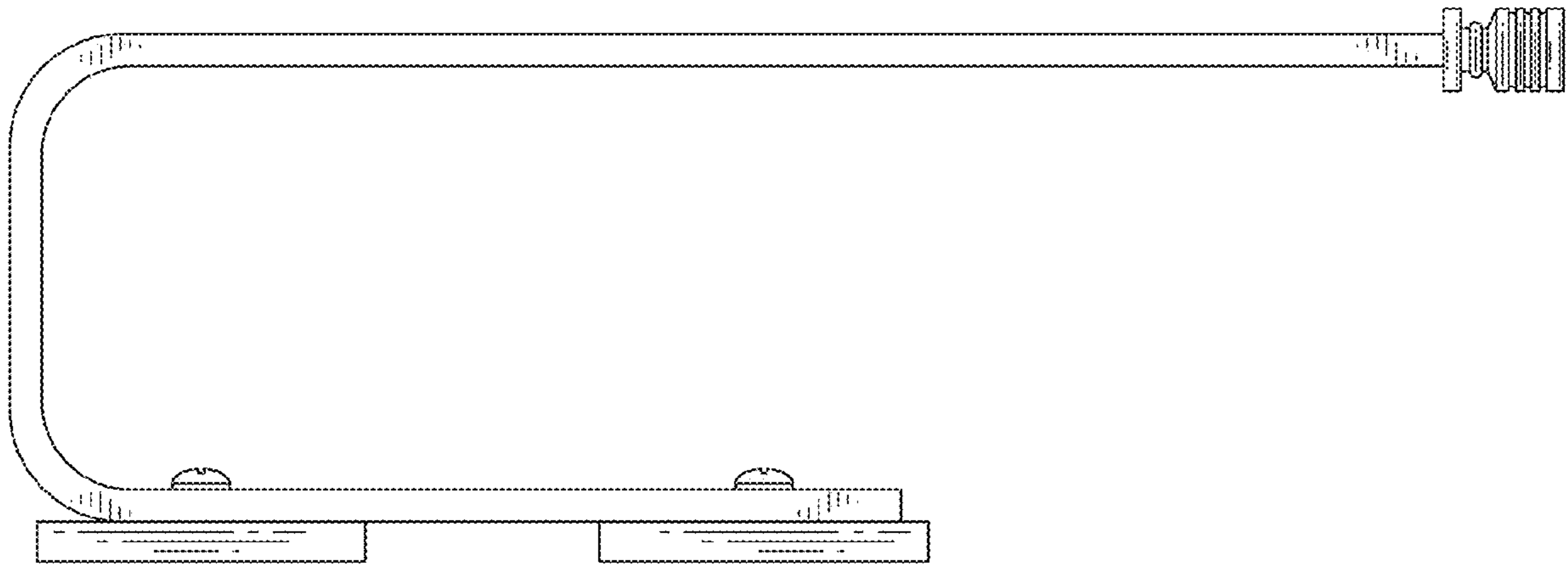


FIG.2

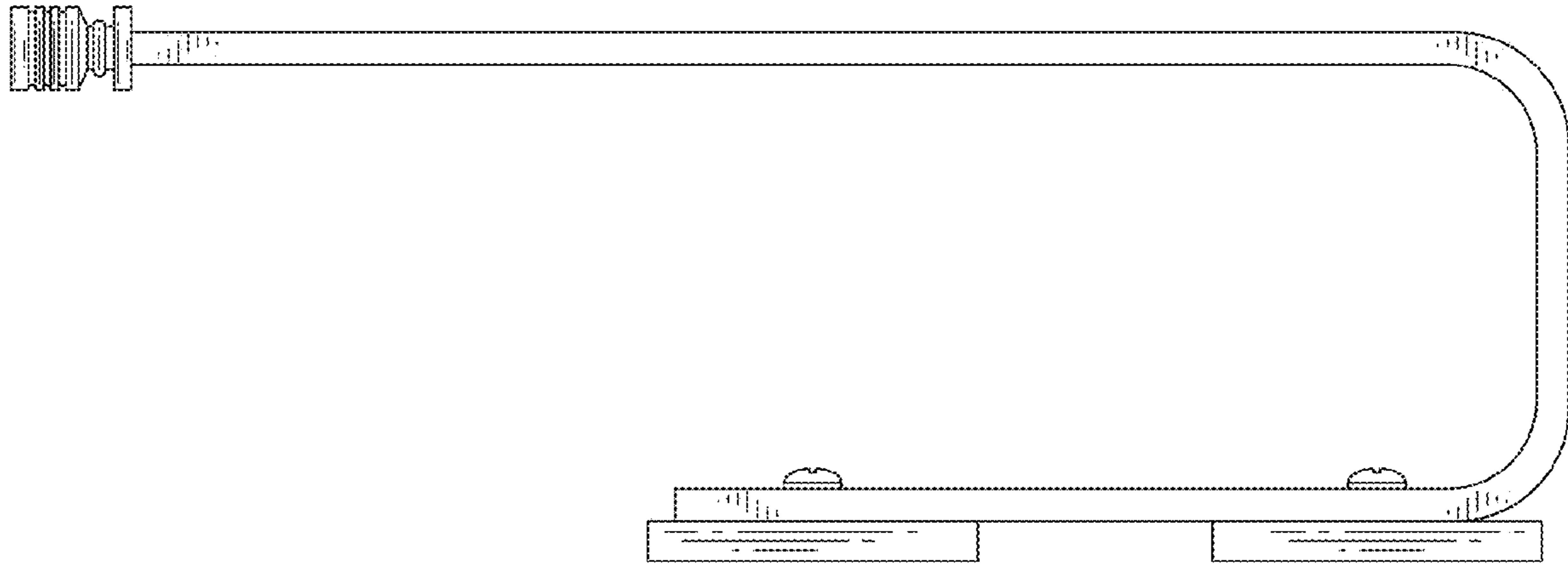


FIG.3

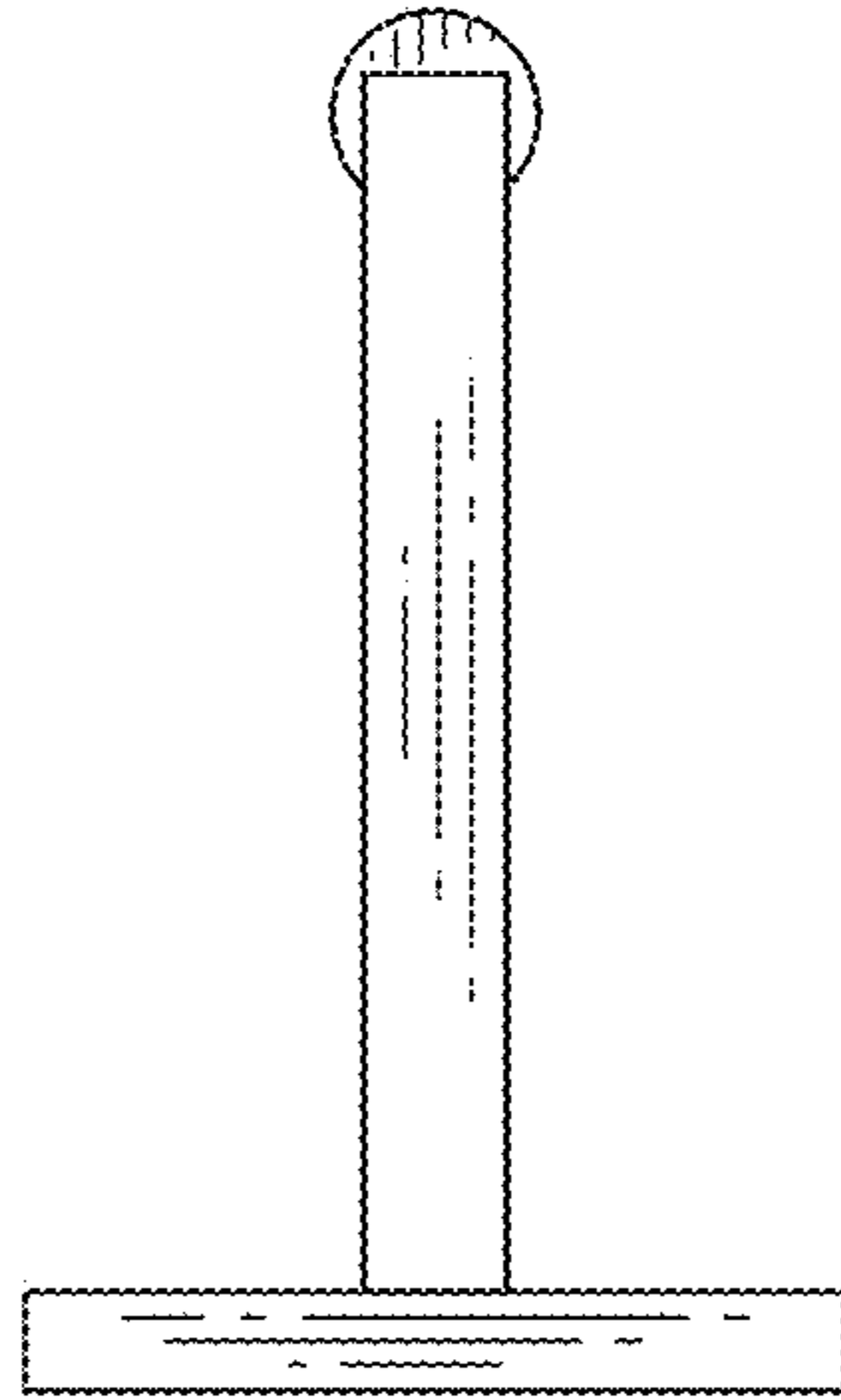


FIG.4

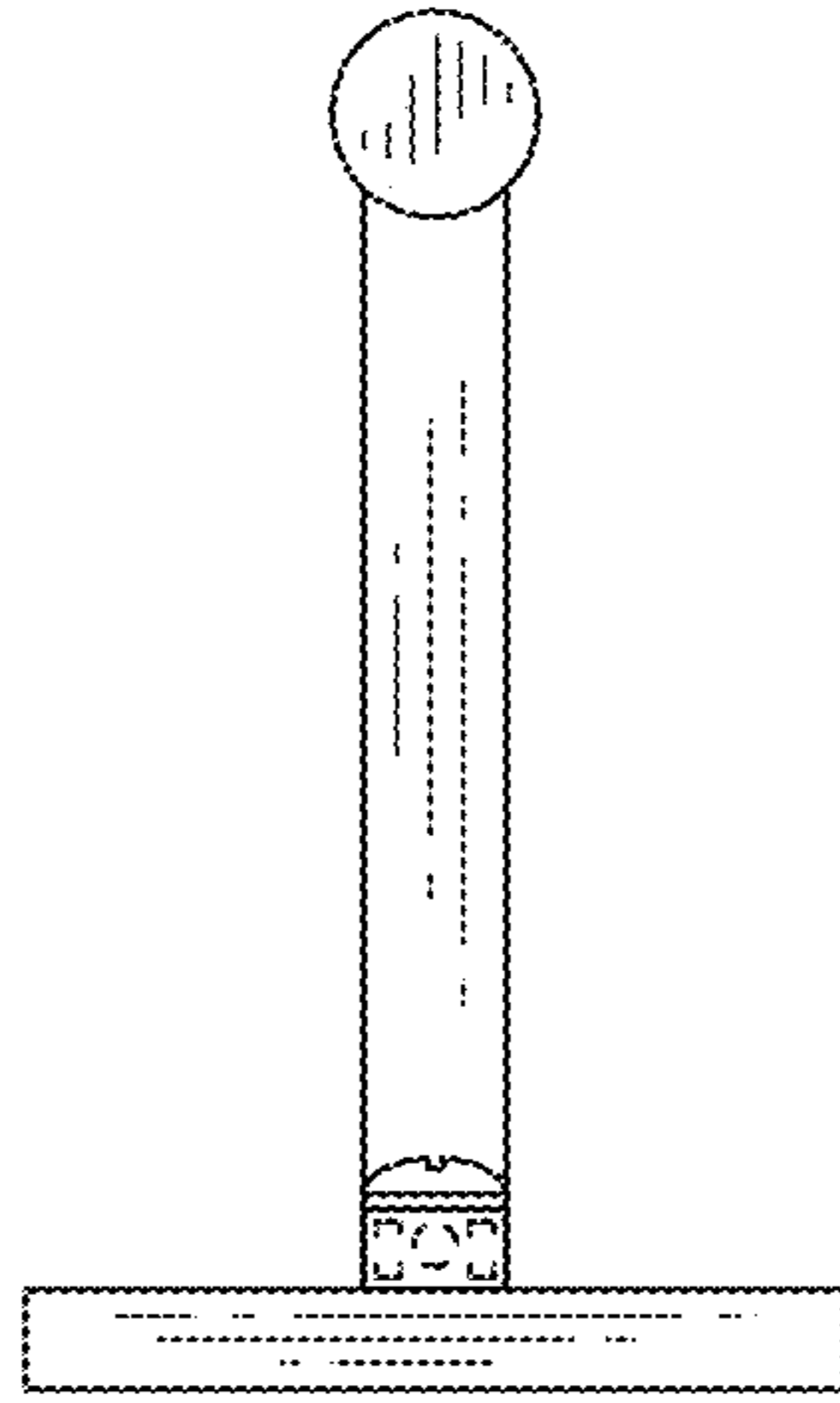


FIG.5

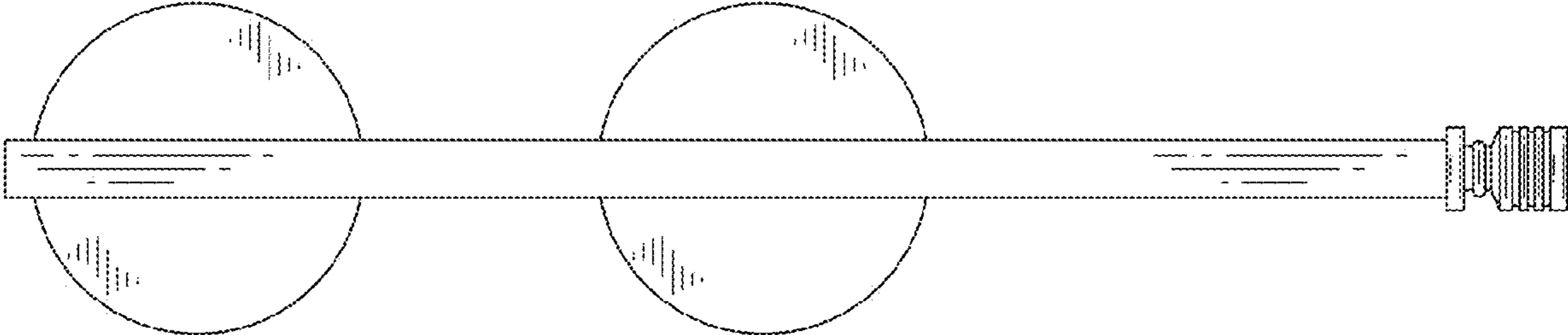


FIG.6

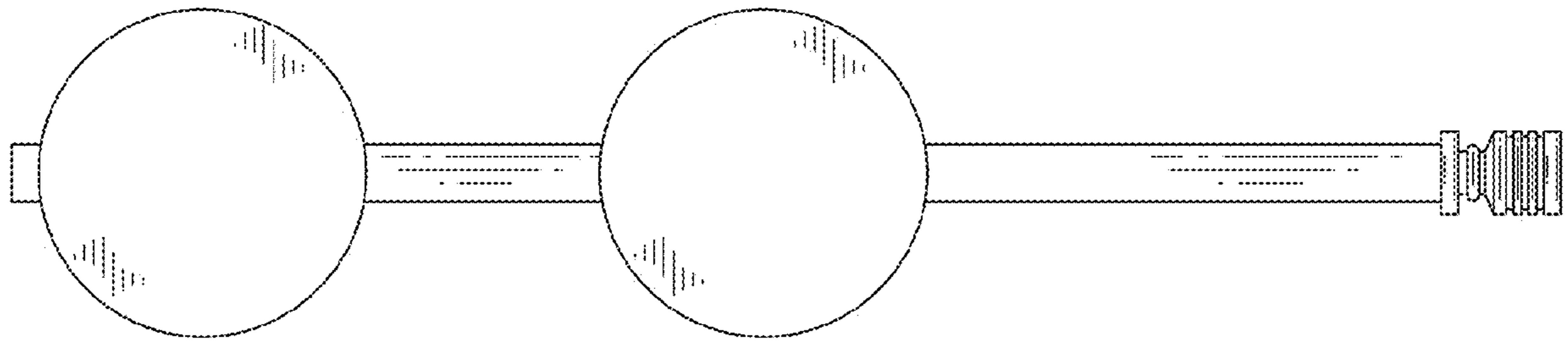


FIG.7