



US00D951671S

(12) **United States Design Patent** (10) **Patent No.:** **US D951,671 S**  
**Liu** (45) **Date of Patent:** **\*\* May 17, 2022**

(54) **PLANT STAND**

(71) Applicant: **Bin Liu**, Yichang (CN)

(72) Inventor: **Bin Liu**, Yichang (CN)

(\*\*) Term: **15 Years**

(21) Appl. No.: **29/787,621**

(22) Filed: **Jun. 8, 2021**

(51) **LOC (13) Cl.** ..... **06-06**

(52) **U.S. Cl.**  
USPC ..... **D6/403**

(58) **Field of Classification Search**  
USPC ..... D6/403, 404, 405, 677.5; D9/455;  
D11/143  
CPC ..... A47G 7/025; A47G 7/041; A01G 9/02;  
A01G 9/12; A47B 13/06; A47F 5/13;  
A47F 7/00; B65F 1/141

See application file for complete search history.

(56) **References Cited**

**U.S. PATENT DOCUMENTS**

D343,968 S *	2/1994	Emalfarb	.....	D6/403
D365,700 S *	1/1996	Lee	.....	D6/403
D393,549 S *	4/1998	Marinos	.....	D6/403
D410,347 S *	6/1999	Lu	.....	D6/403
D449,179 S *	10/2001	Sellers	.....	D6/403
D449,180 S *	10/2001	Blake	.....	D6/403
D478,735 S *	8/2003	Sellers	.....	D6/403
D479,776 S *	9/2003	Rosenberg	.....	D6/403
D484,715 S *	1/2004	Missry	.....	D6/403
D503,861 S *	4/2005	Sellers	.....	D6/403
D504,789 S *	5/2005	Hayes	.....	D6/403
D555,388 S *	11/2007	Yeh	.....	D6/403
D824,282 S	7/2018	Woo et al.		
D830,719 S	10/2018	Palumbo et al.		
D853,744 S	7/2019	Sahaye		
D941,603 S *	1/2022	Warren	.....	D6/403

**OTHER PUBLICATIONS**

“iLTreFlo Midcentury Modern Metal Potted Plant Stand.” Found online Feb. 17, 2022 at [www.amazon.com](http://www.amazon.com). Customer question answered Jul. 12, 2021. Retrieved from URL: <https://www.amazon.com/iLTreFlo-Midcentury-Rustproof-Container-Planter/dp/B08ZDPCSJ6> (Year: 2021).\*

“Midcentury Modern Metal Potted Plant Stand.” Found online Feb. 17, 2022 at [www.ebay.com](http://www.ebay.com). Page updated Feb. 4, 2022. Retrieved from URL: <https://www.ebay.com/itm/175066399994?chn=ps&mkevt=1&mkcid=28> (Year: 2022).\*

“mDesign Steel Modern 17-inch Plater Holder.” Found online Feb. 17, 2022 at [www.amazon.com](http://www.amazon.com). Customer question answered Sep. 30, 2019. Retrieved from URL: <https://www.amazon.com/mDesign-Midcentury-Succulent-Minimalist-Planter/dp/B07RYZM7MS> (Year: 2019).\*

(Continued)

*Primary Examiner* — Mary Ann Calabrese

*Assistant Examiner* — Katelin G Kloberg

(57) **CLAIM**

The ornamental design for a plant stand, as shown and described.

**DESCRIPTION**

FIG. 1 is a top, front perspective view of a plant stand, showing my new design;

FIG. 2 is a bottom, rear perspective view thereof;

FIG. 3 is a front view thereof;

FIG. 4 is a back view thereof;

FIG. 5 is a right side view thereof;

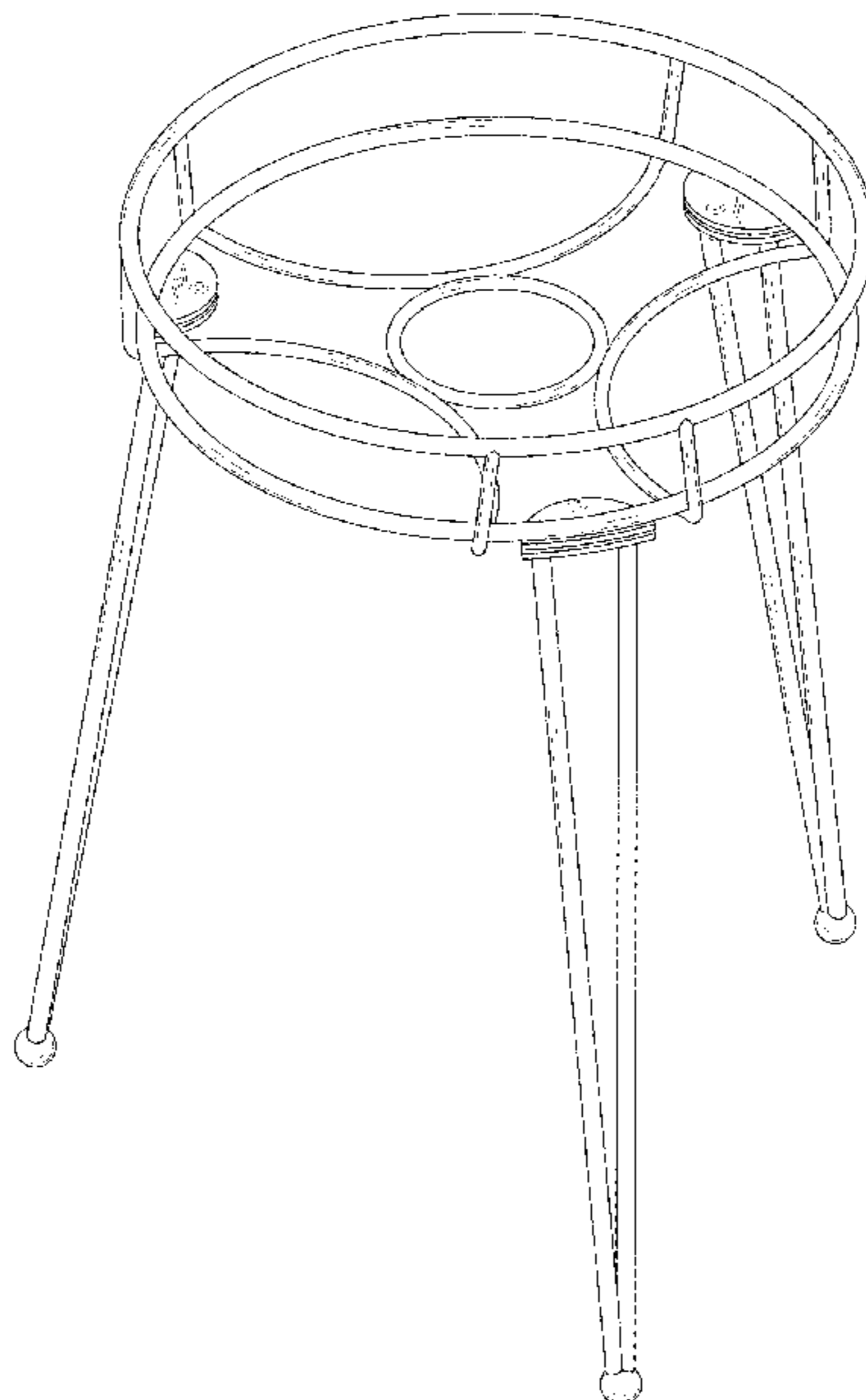
FIG. 6 is a left side view thereof;

FIG. 7 is a top view thereof; and,

FIG. 8 is a bottom view thereof.

The broken lines shown in the drawings depict portions of the plant stand in which the design is embodied that form no part of the claimed design.

**1 Claim, 8 Drawing Sheets**



(56)

**References Cited**

OTHER PUBLICATIONS

“Hampton Wrought Iron Plant Stand.” Found online Feb. 17, 2022 at [www.walmart.com](http://www.walmart.com). Product reviewed Mar. 13, 2019. Retrieved from URL: <https://www.walmart.com/ip/Hampton-Wrought-Iron-Plant-Stand-21-In/38691958> (Year: 2019).\*

\* cited by examiner

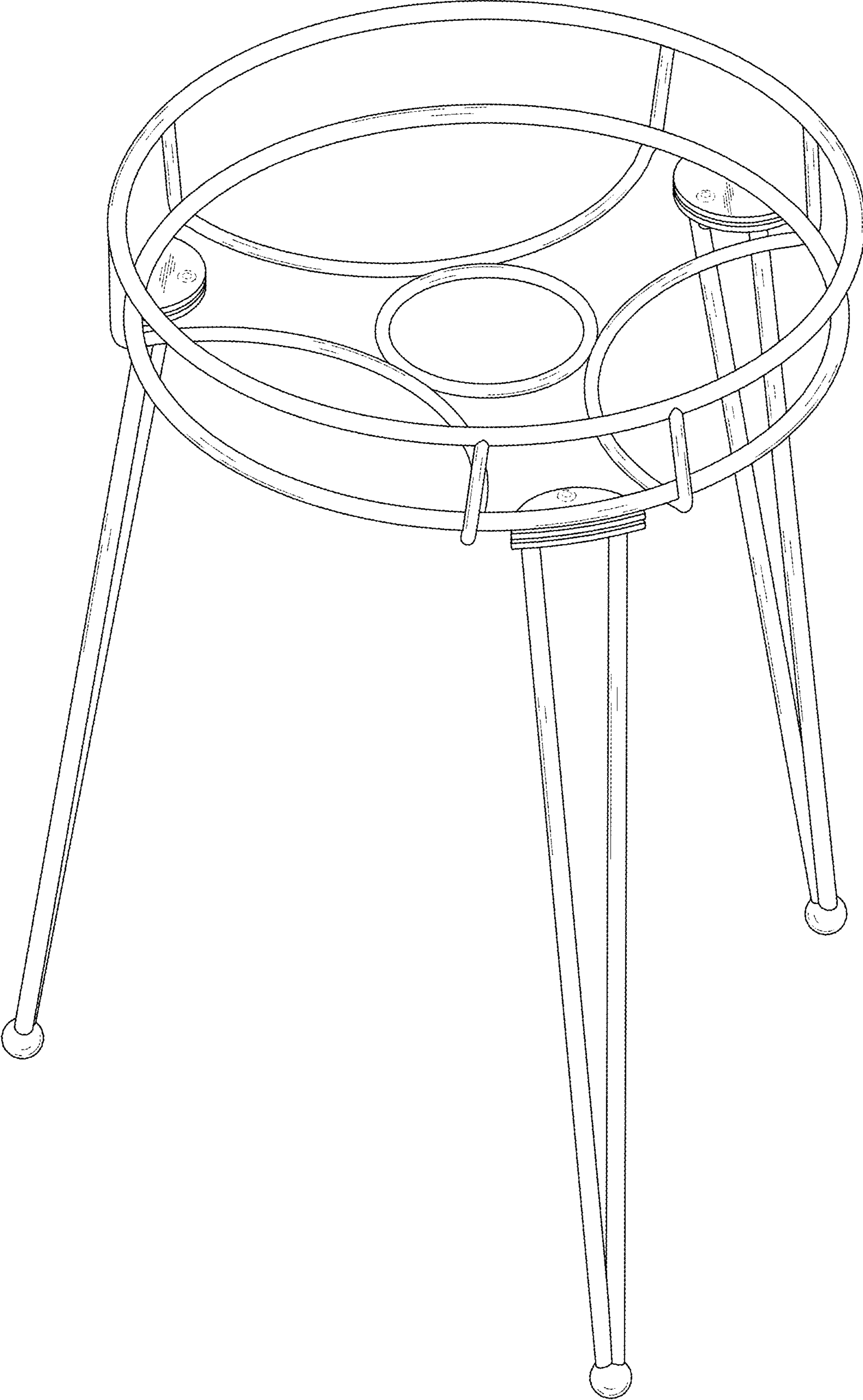


FIG. 1

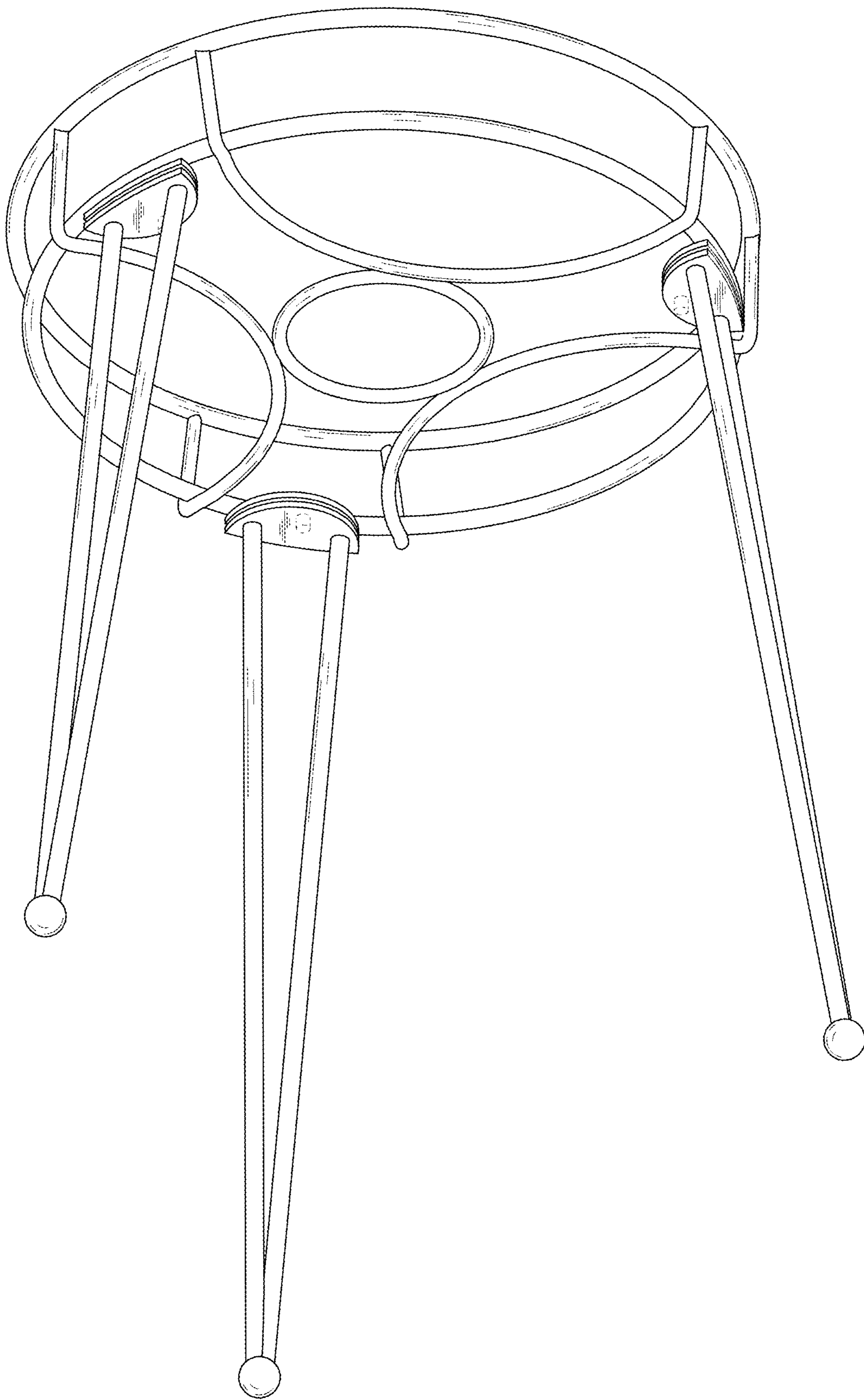


FIG. 2

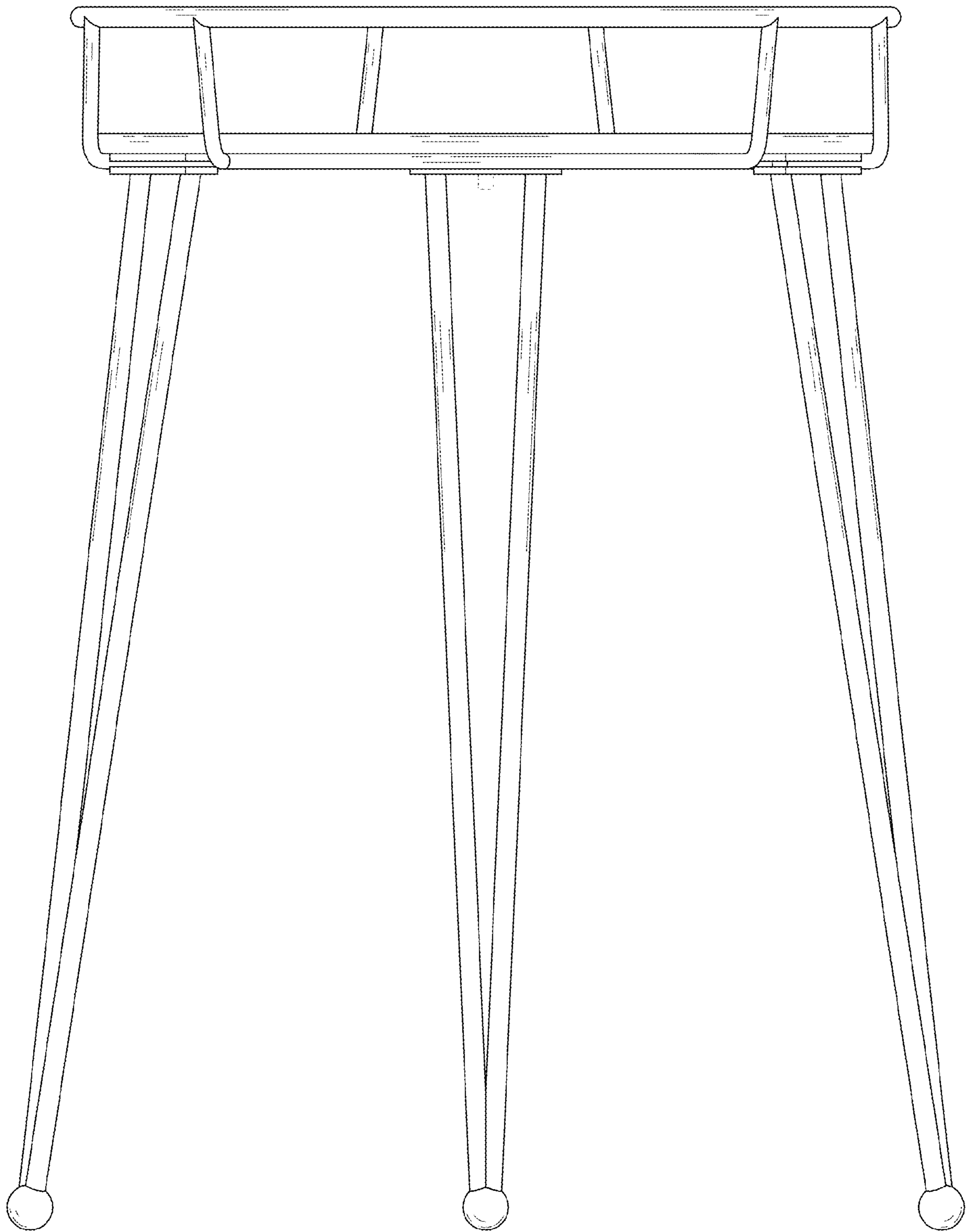


FIG. 3



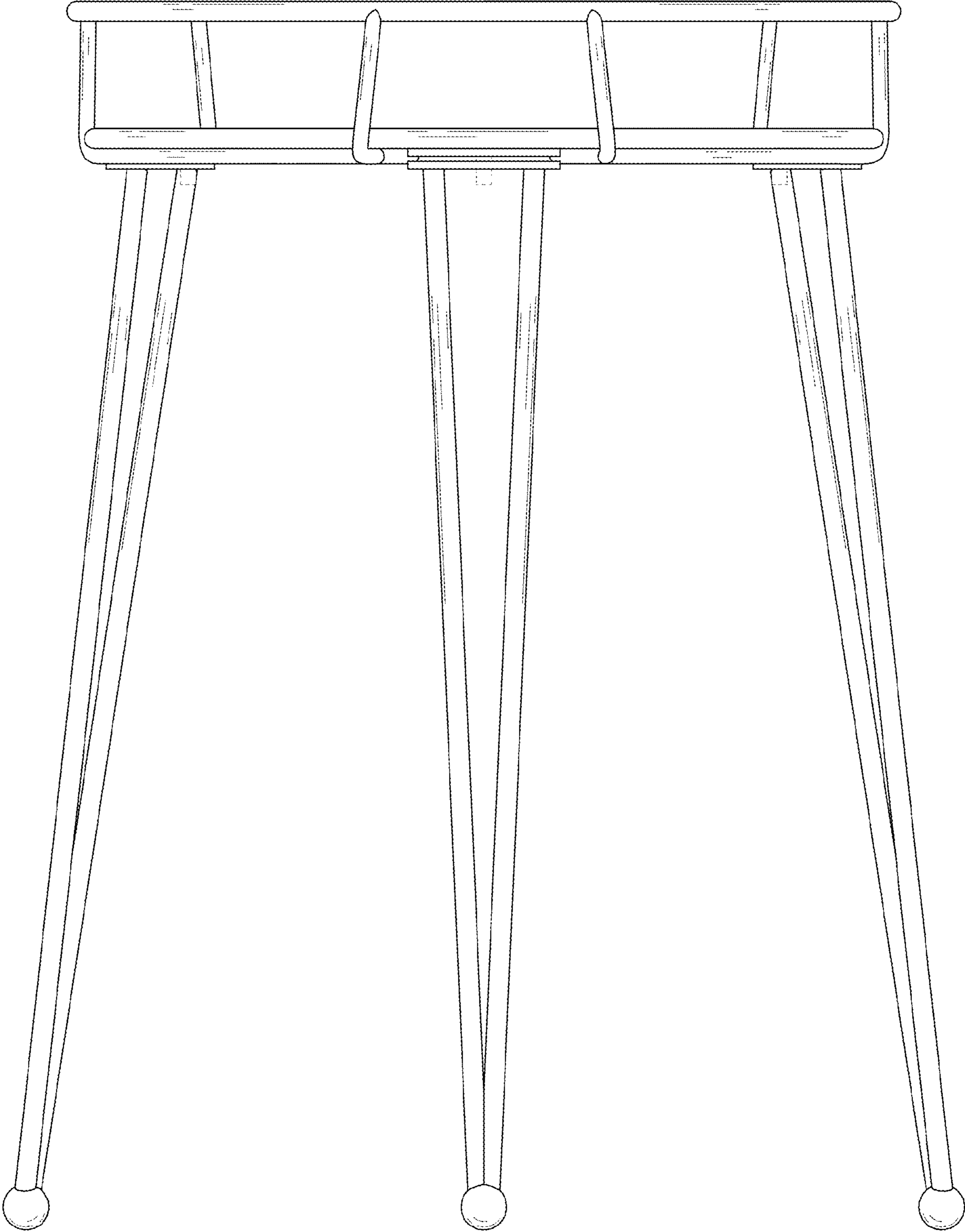


FIG. 4

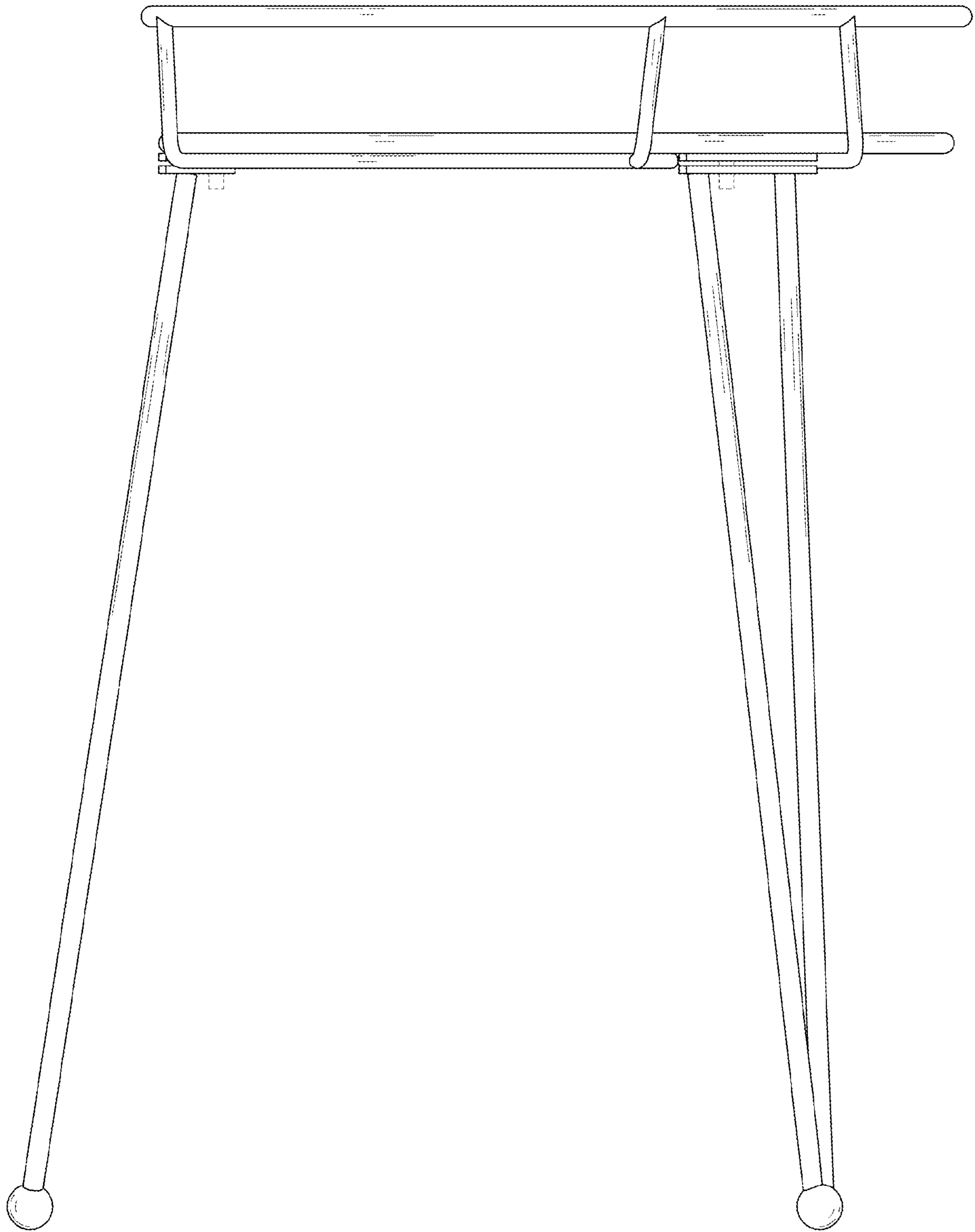


FIG. 5

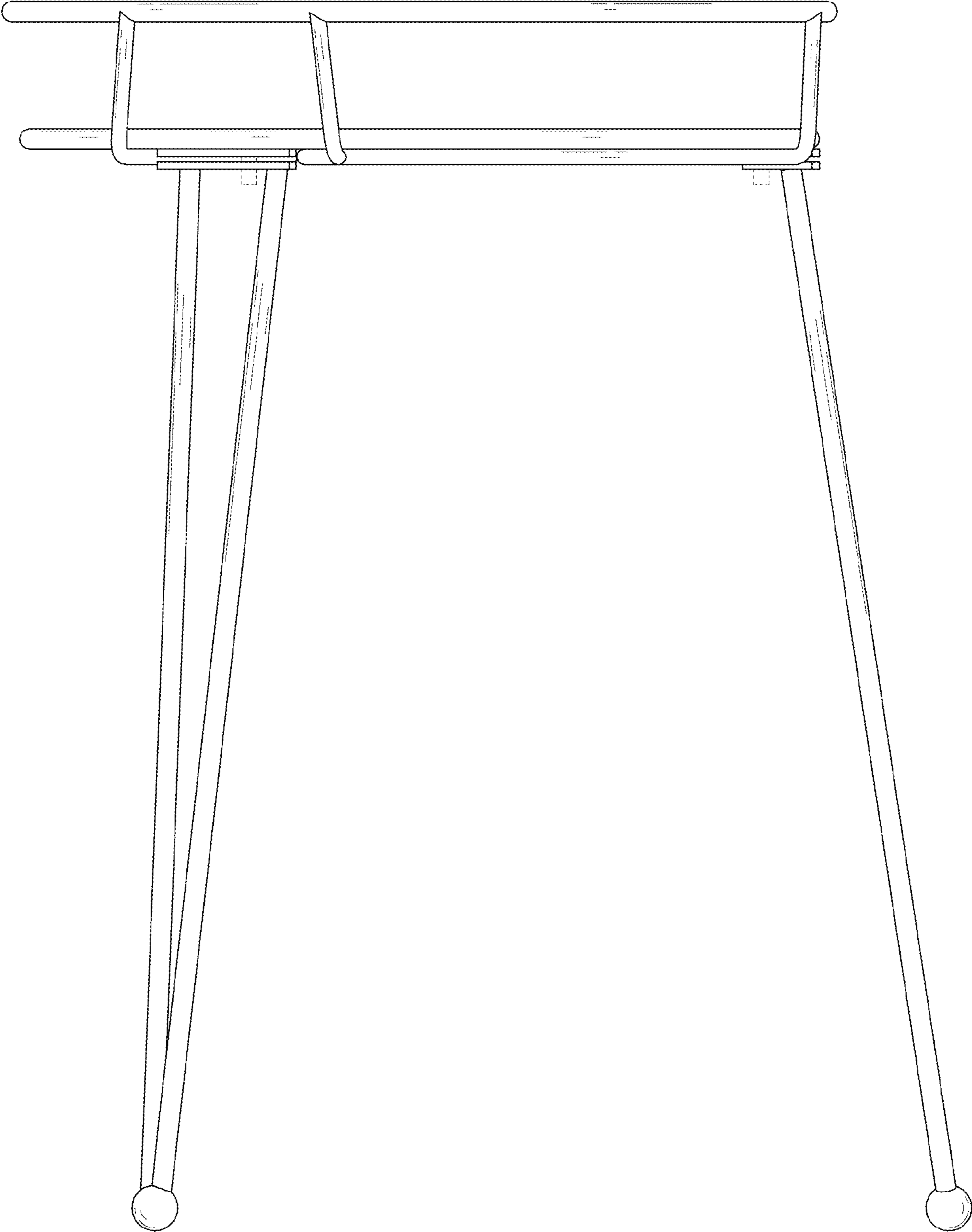


FIG. 6



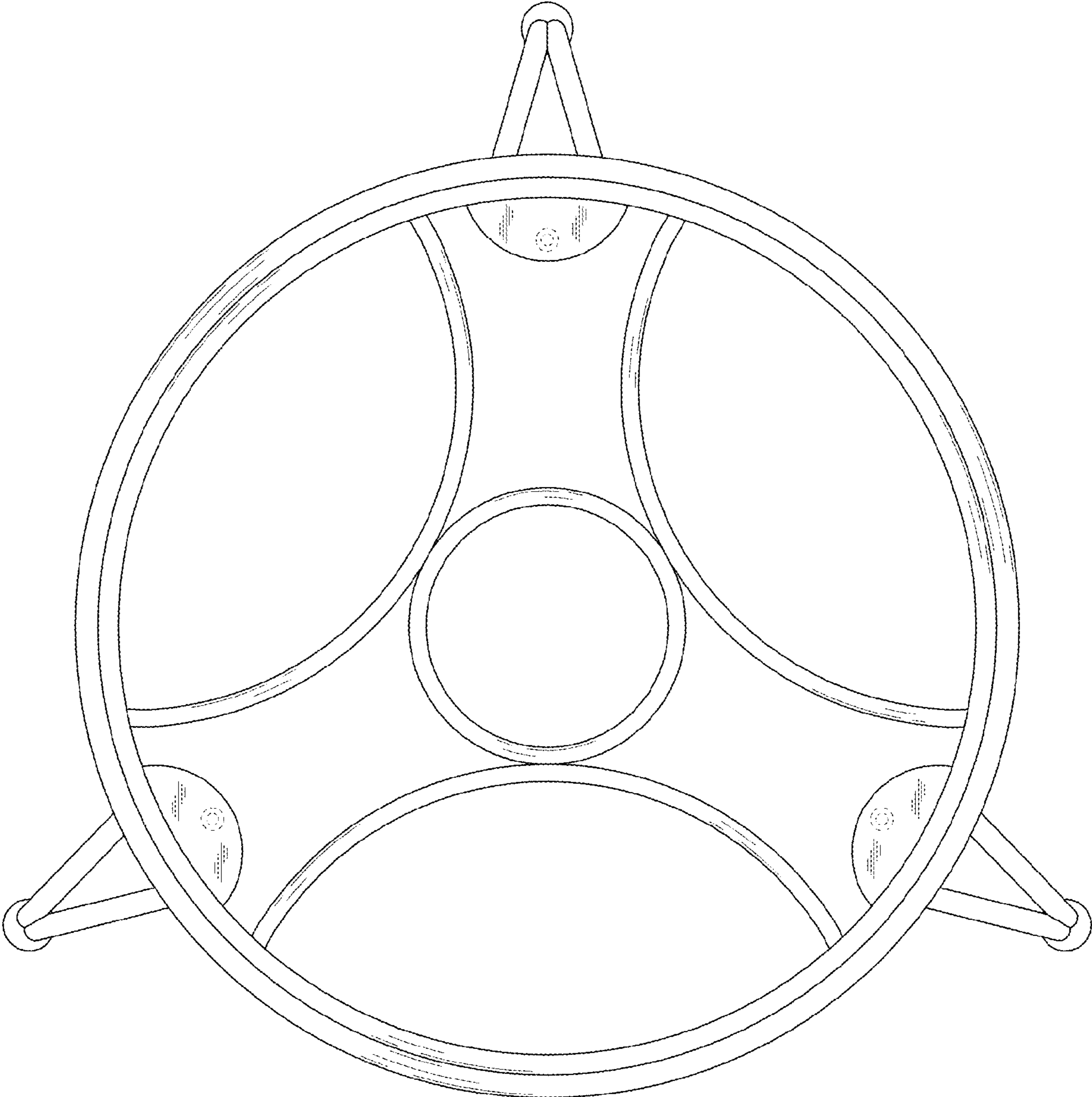


FIG. 7

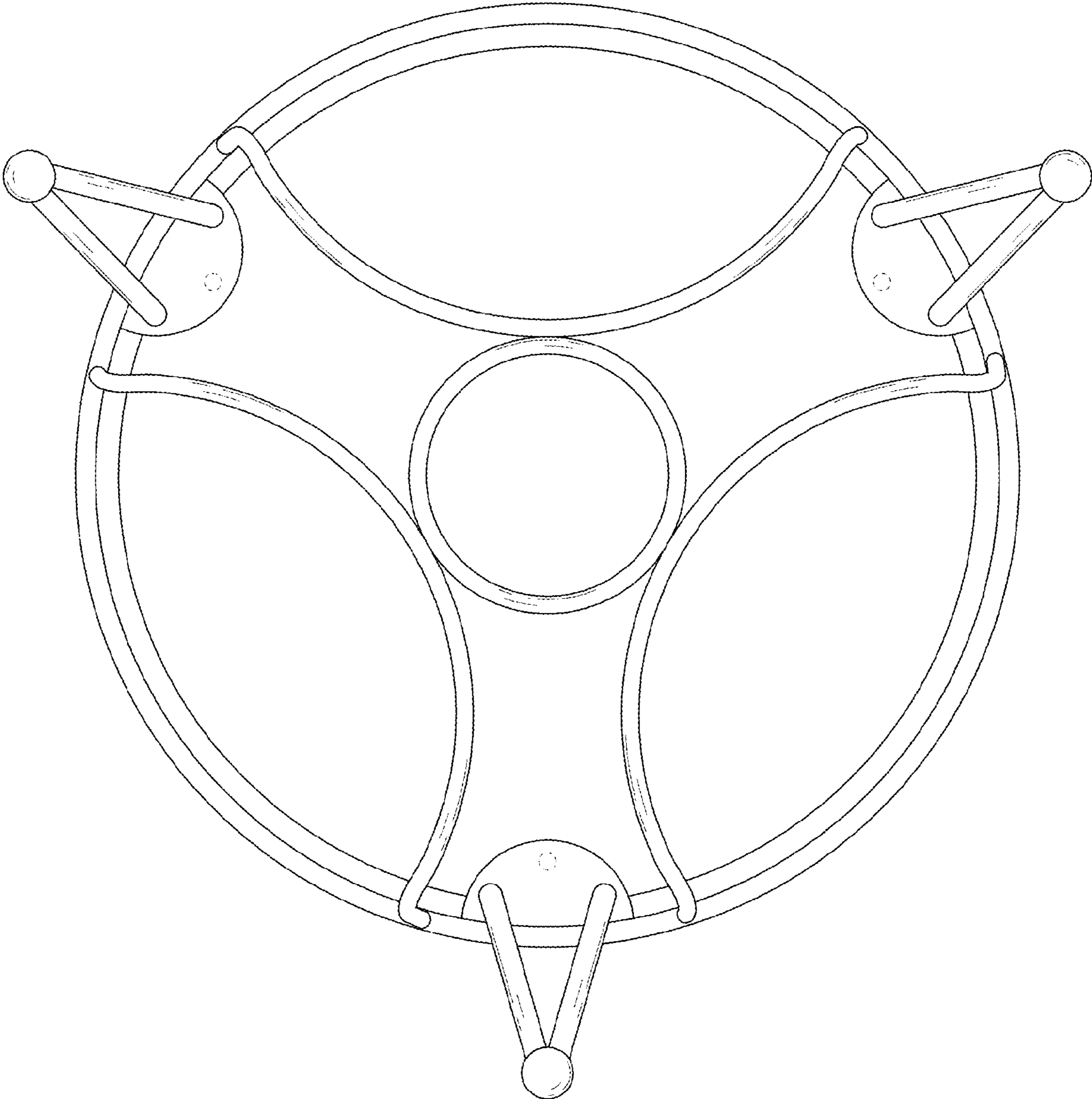


FIG. 8