



US00D951669S

(12) **United States Design Patent** (10) **Patent No.:** **US D951,669 S**
Wu (45) **Date of Patent:** **** May 17, 2022**

(54) **GAMING CHAIR**

(56) **References Cited**

(71) Applicant: **Wudi Industrial (Shanghai) Co., Ltd.**,
Shanghai (CN)

(72) Inventor: **Peng Wu**, Shanghai (CN)

(73) Assignee: **WUDI INDUSTRIAL (SHANGHAI)**
CO., LTD., Shanghai (CN)

(**) Term: **15 Years**

(21) Appl. No.: **29/796,960**

(22) Filed: **Jun. 28, 2021**

(51) **LOC (13) Cl.** **06-01**

(52) **U.S. Cl.**
USPC **D6/366**

(58) **Field of Classification Search**
USPC D6/356, 364, 365, 366, 367, 379, 716,
D6/716.4, 716.7, 360, 380; D21/521, 695
CPC A47C 1/03294; A47C 1/034; A47C 1/032;
A47C 1/031; A47C 1/023; A47C 3/029;
A47C 3/027; A47C 3/04; A47C 3/02;
A47C 3/12; A47C 4/03; A47C 4/04;
A47C 5/12; A47C 7/029; A47C 7/02;
A47C 7/18; A47C 7/28; A47C 7/32;
A47C 7/38; A47C 7/40; A47C 7/44;
A47C 7/46; A47C 7/54; A47C 7/425;
A47C 7/445; A47C 31/023; A47C 31/04;
B60R 2/0284; B60R 2/062; B60R 22/001;
B60R 22/24; B60R 22/28; B60R 22/58;
B60R 22/64; B60R 22/68; B60R 22/80;
B60R 22/99; B60R 22/245; B60R 22/643;
B60R 22/646; B60R 22/665; B60R
22/686; B60R 22/688; B60R 22/803;
B60R 22/986; B60R 22/914; B60R
22/995; F16B 2/08; F16B 45/00; Y10S
297/01; A47D 13/10

See application file for complete search history.

U.S. PATENT DOCUMENTS

D495,168 S *	8/2004	True	D6/366
D543,395 S *	5/2007	Smith	D6/716.3
D550,001 S *	9/2007	Mazzera	D6/716.3
D572,050 S *	7/2008	Tamara	D6/366
D657,580 S *	4/2012	Zhou	D6/366
D686,862 S *	7/2013	Egger	D6/716.3
D706,048 S *	6/2014	Wang	D6/366
D769,633 S *	10/2016	Mezzera	D6/366
D769,637 S *	10/2016	Mezzera	D6/366
D770,820 S *	11/2016	Mezzera	D6/366
D809,841 S *	2/2018	Mao	D6/366
D869,214 S	12/2019	Chen		

(Continued)

OTHER PUBLICATIONS

“ComHoma Office Computer Desk Chair . . .” Dec. 25, 2020,
amazon.com, site visted Feb. 22, 2022 <https://www.amazon.com/Executive-Comfortable-Ergonomic-Managerial-Adjustable/dp/B08P71RWKC/ref=sr_1_137?crid=OC3JA5TEFIBL&keywords=office+chair&qid=1645558927&srefix=office+chair%2Caps%2C320&sr=8-137> (Year: 2020).*

Primary Examiner — Kevin K Rudzinski
Assistant Examiner — Paul D Bohannon

(57) **CLAIM**

The ornamental design for a gaming chair, as shown and described.

DESCRIPTION

FIG. 1 is a left elevational view a gaming chair showing our new design;
FIG. 2 is a front side elevational view of thereof;
FIG. 3 is a bottom plan view thereof;
FIG. 4 is a top plan view thereof;
FIG. 5 is a left perspective view thereof.

(Continued)

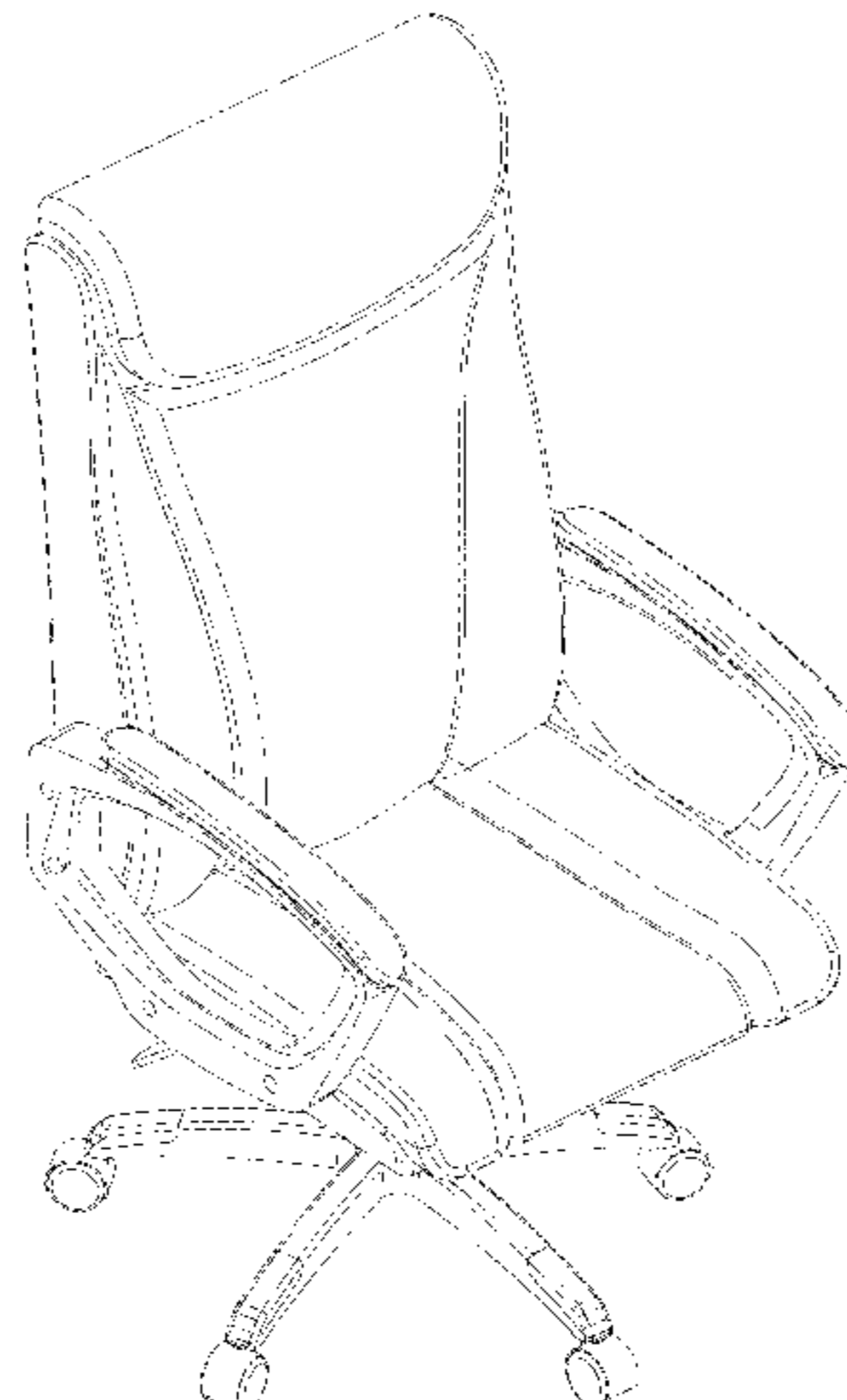


FIG. 6 is a right side elevational view thereof;
FIG. 7 is a back view thereof; and,
FIG. 8 is a right perspective view thereof.
The broken lines shown in the drawings are for the purpose
of illustrating portions of the article and form no part of the
claimed design.

1 Claim, 8 Drawing Sheets

(56)

References Cited

U.S. PATENT DOCUMENTS

D880,181 S *	4/2020	Wang	D6/366
D915,782 S *	4/2021	Wang	D6/366
D918,611 S *	5/2021	Wang	D6/366
D925,936 S *	7/2021	Zhou	D6/366
D934,606 S *	11/2021	Liao	D6/716
D935,251 S *	11/2021	Bhakta	D6/716
D935,252 S *	11/2021	Bhakta	D6/716
D941,047 S *	1/2022	Bhakta	D6/366

* cited by examiner

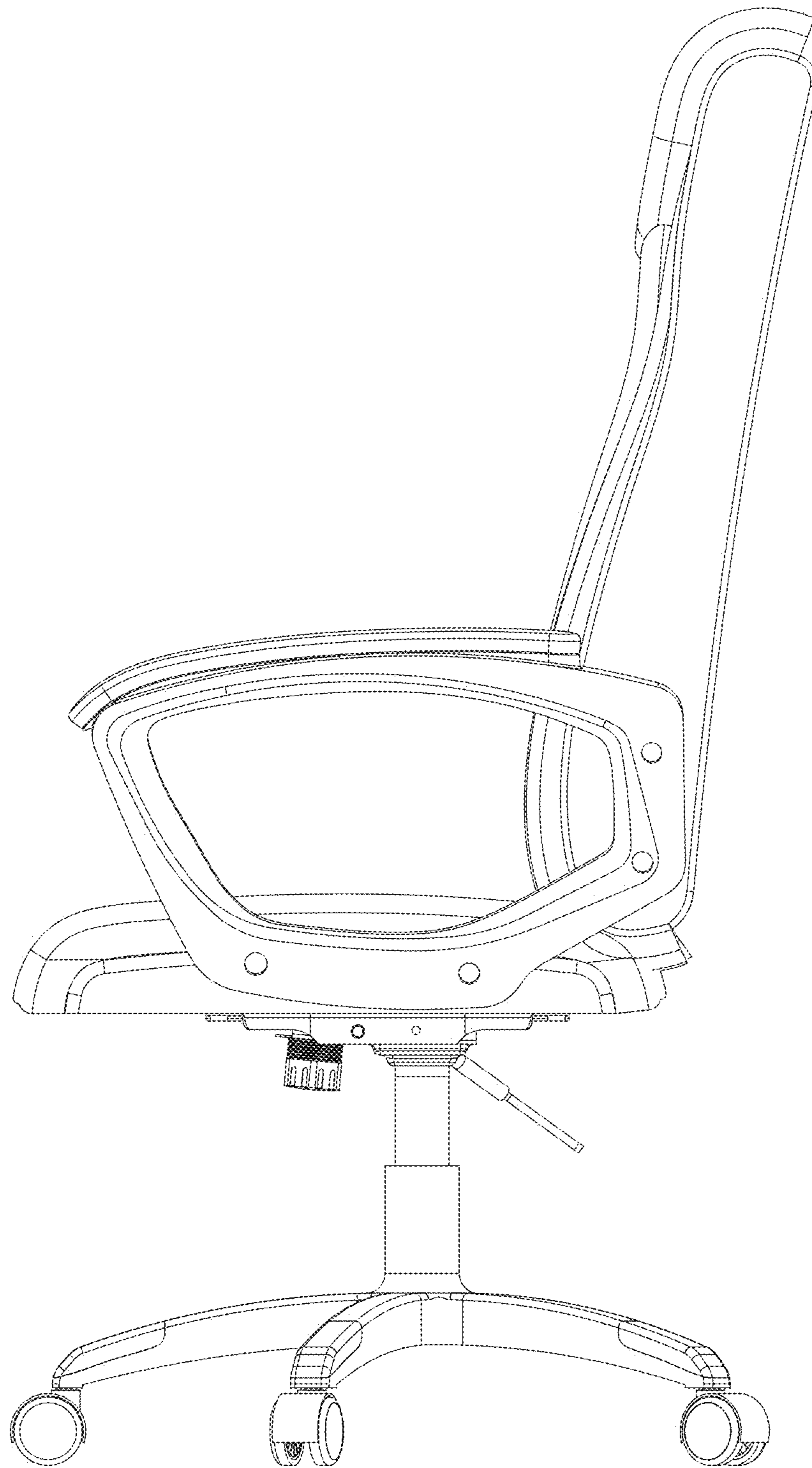


FIG. 1

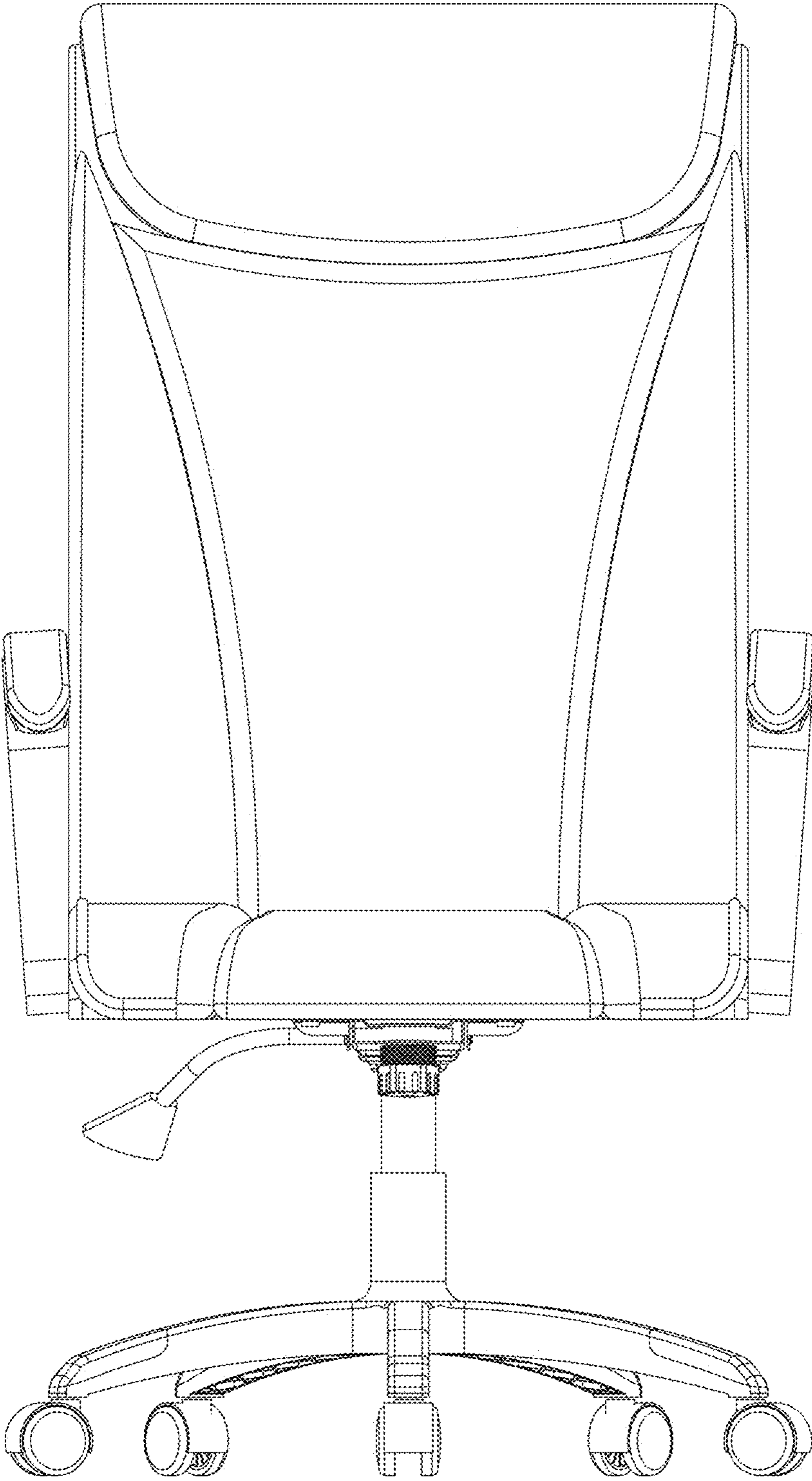


FIG. 2

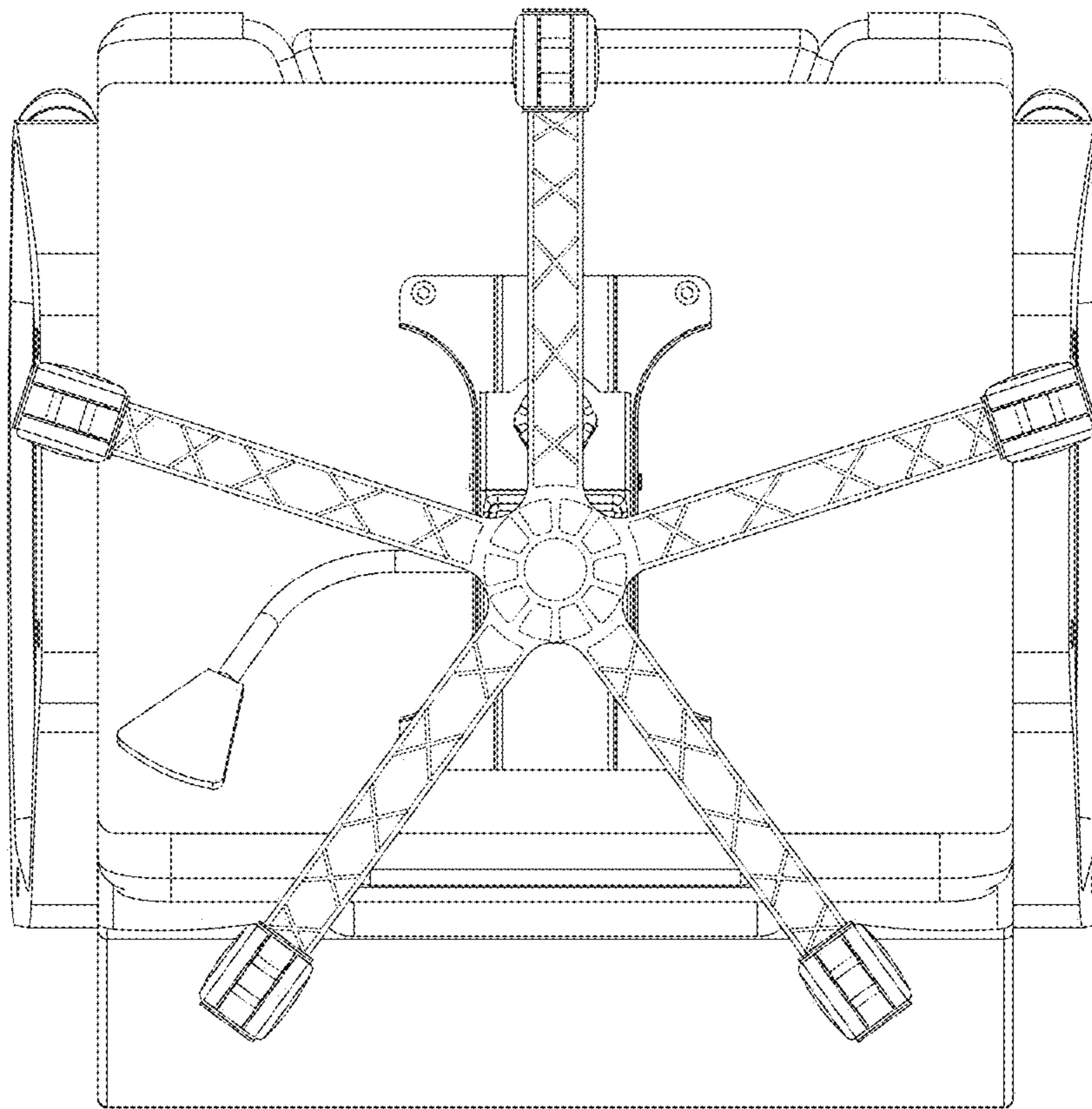


FIG. 3

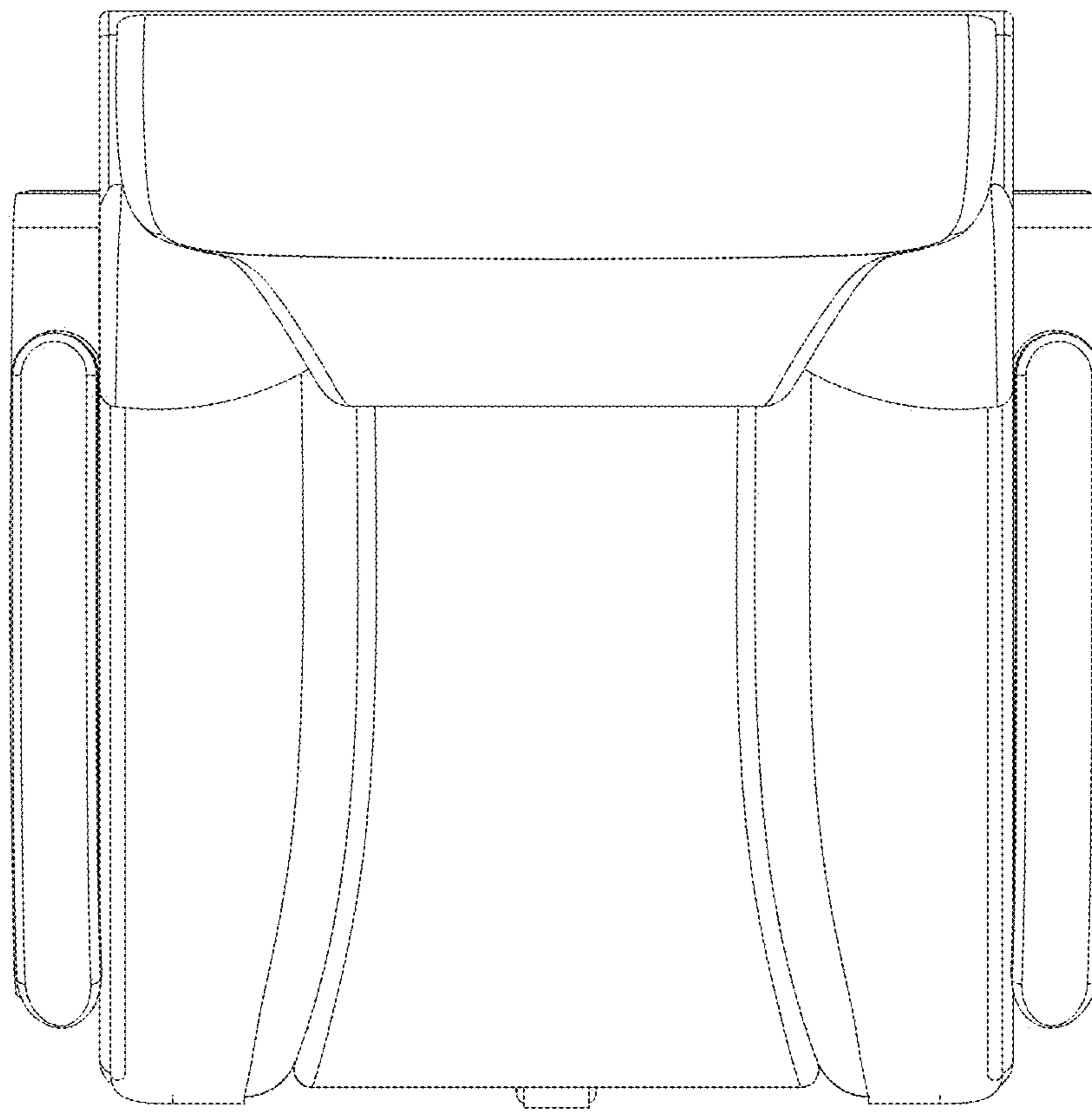


FIG. 4

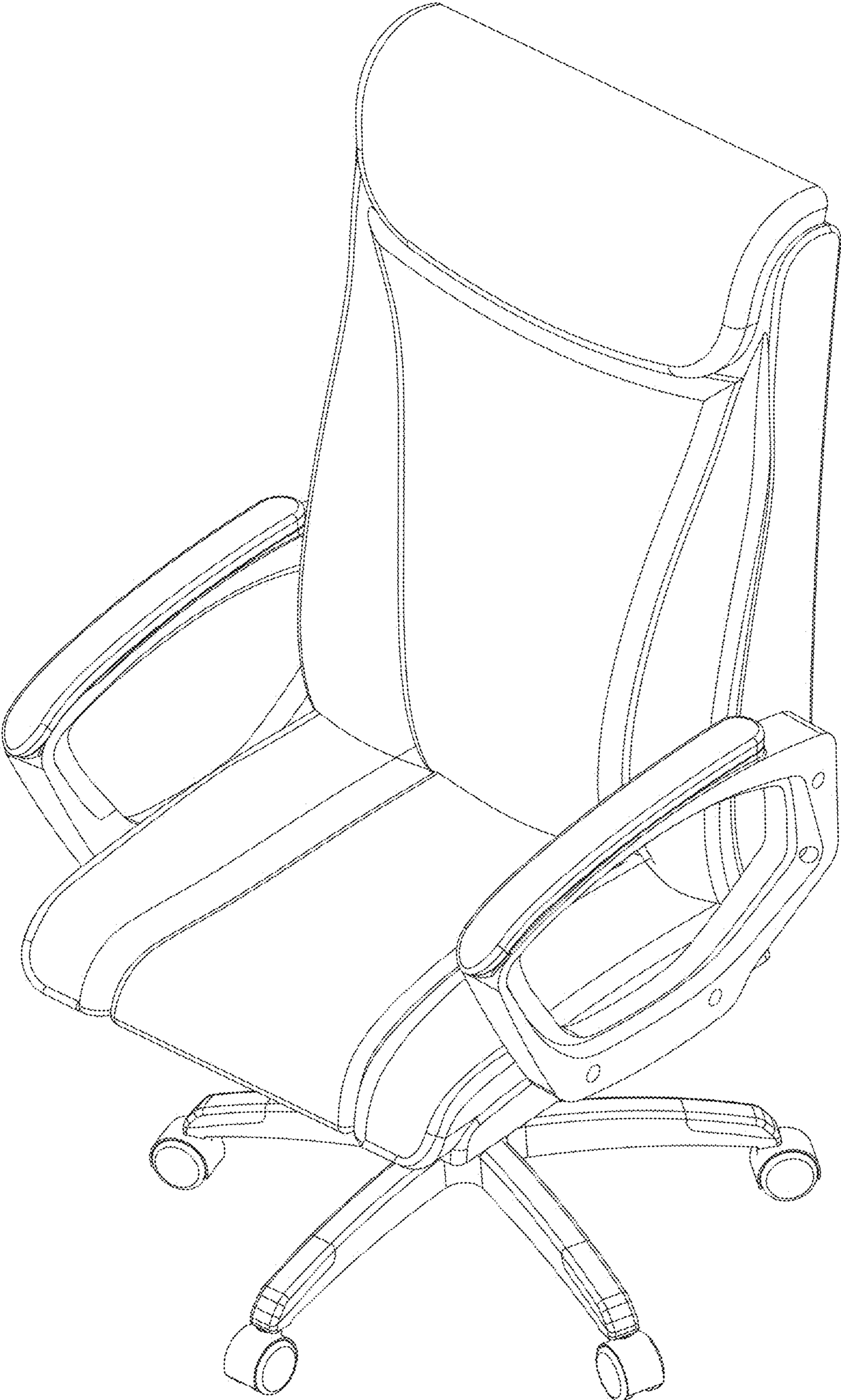


FIG. 5

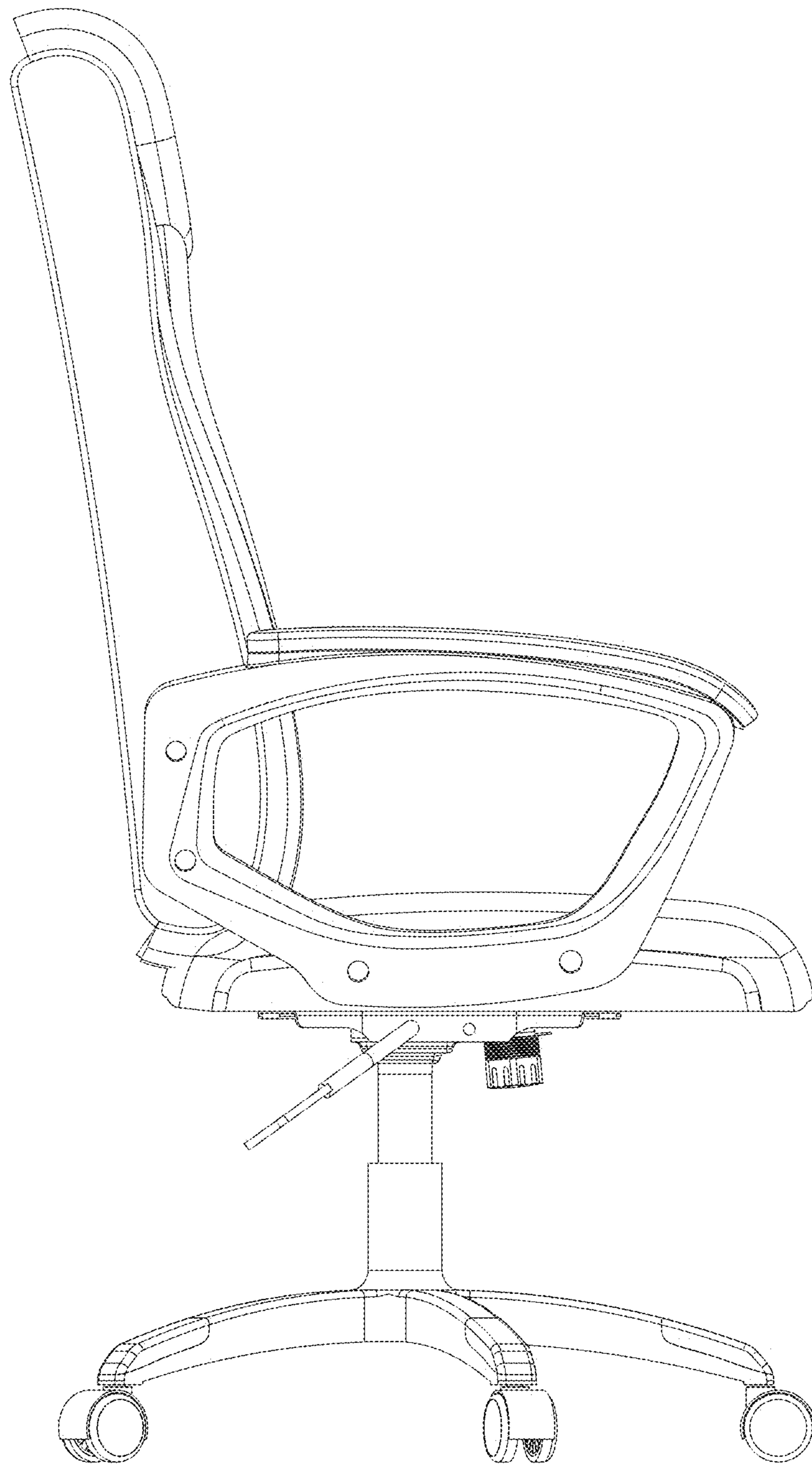


FIG. 6

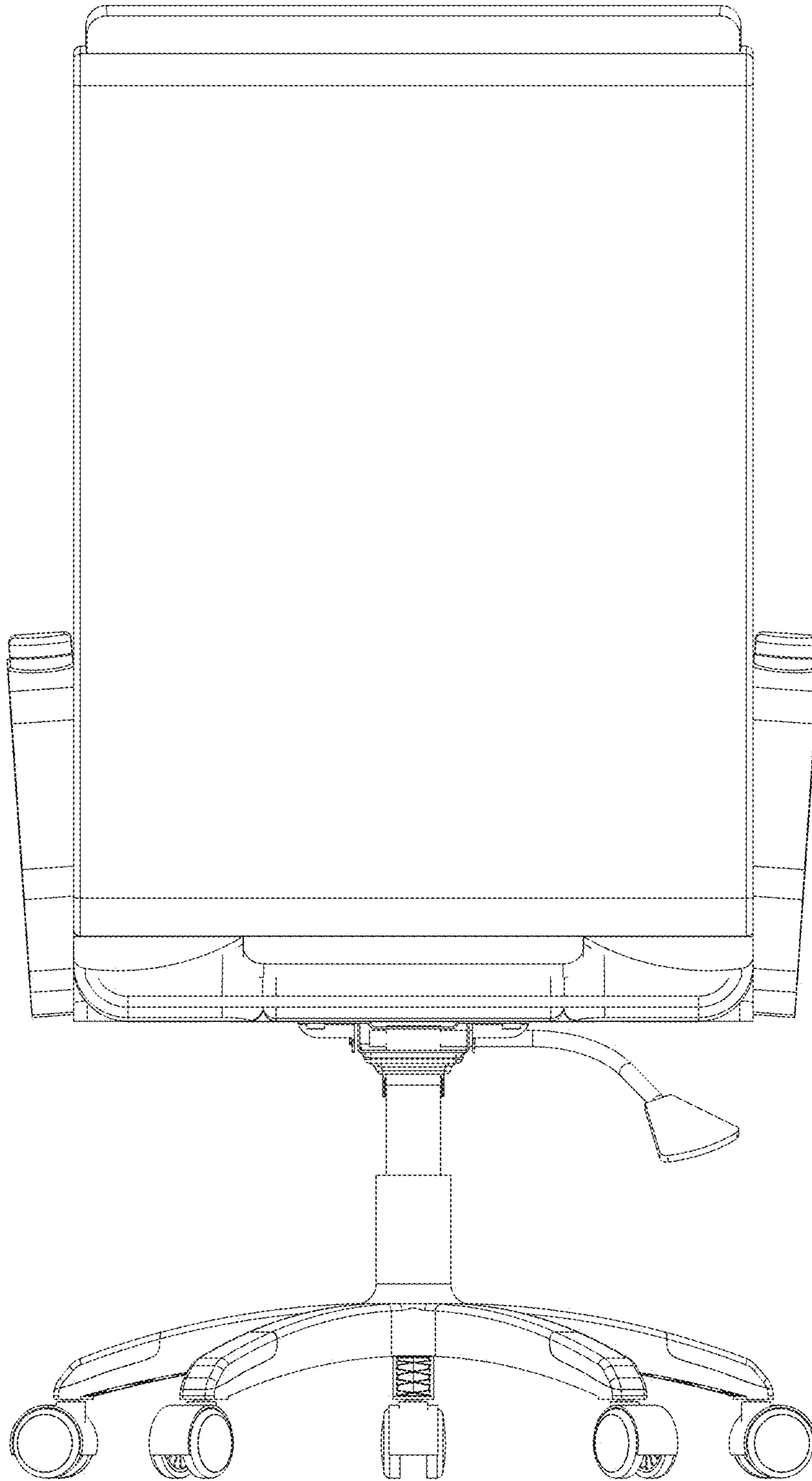


FIG. 7

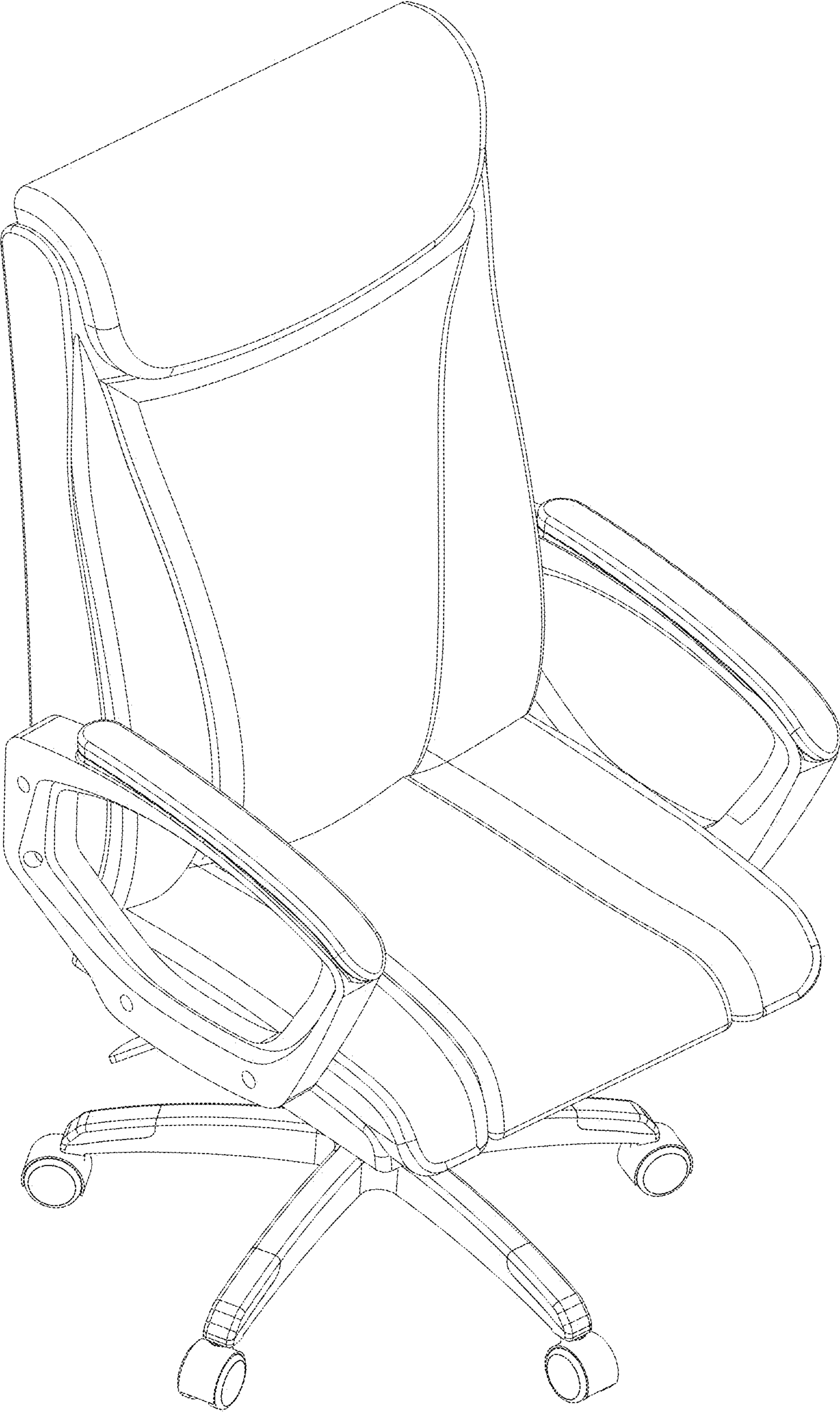


FIG. 8