



US00D951664S

(12) **United States Design Patent** (10) **Patent No.:** **US D951,664 S**  
**Song** (45) **Date of Patent:** **\*\* May 17, 2022**

(54) **MODULAR SOFA**  
(71) Applicant: **VOSSON INC**, Tustin, CA (US)  
(72) Inventor: **TongPei Song**, Shandong (CN)  
(73) Assignee: **VOSSON INC**, Tustin, CA (US)  
(\*\*) Term: **15 Years**  
(21) Appl. No.: **29/756,666**  
(22) Filed: **Oct. 29, 2020**  
(51) **LOC (13) Cl.** ..... **06-01**  
(52) **U.S. Cl.**  
USPC ..... **D6/335**; D6/381  
(58) **Field of Classification Search**  
USPC ..... D6/334, 335, 349, 353, 361, 378, 381,  
D6/716, 716.1, 716.2, 716.4, 717  
(Continued)

(56) **References Cited**  
**U.S. PATENT DOCUMENTS**  
D100,995 S \* 8/1936 Frischman ..... D6/381  
D103,416 S \* 3/1937 Tyrrell ..... D6/381  
(Continued)

**FOREIGN PATENT DOCUMENTS**  
EP 3804570 A1 \* 4/2021 ..... A47C 15/002  
GB 2448083 A \* 10/2008 ..... A47C 15/002

**OTHER PUBLICATIONS**  
“HONBAY Modern Arm Accent Chair Fabric Armchair Single Sofa Club Chair, Grey” listing, Amazon.com. Listed as first available on Sep. 8, 2020. Retrieved on Jan. 8, 2022 from [www.amazon.com/HONBAY-Fabric-Armchair-Accent-Apartment/dp/B08HMN3J6S?ref\\_ast\\_sto\\_dp&th=1](http://www.amazon.com/HONBAY-Fabric-Armchair-Accent-Apartment/dp/B08HMN3J6S?ref_ast_sto_dp&th=1) (Year: 2020).\*  
(Continued)

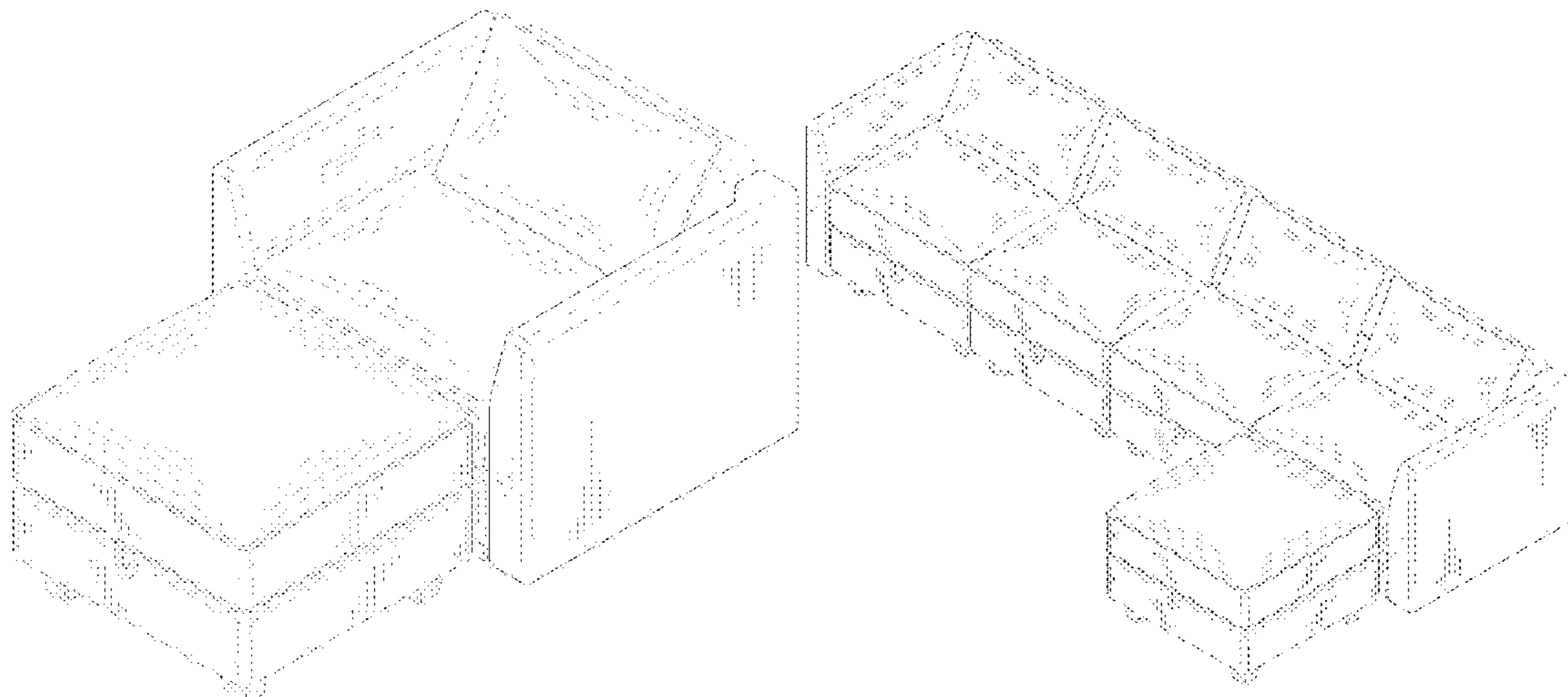
*Primary Examiner* — Deanna L Pratt

(57) **CLAIM**  
The ornamental design for a modular sofa, as shown and described.

**DESCRIPTION**

FIG. 1 is a perspective view of a first arrangement of a modular sofa showing my new design, which consists Modular A which are the upright removable arms, Modular B which is the chair with backrest, and C which is the ottoman stool;  
FIG. 2 is a perspective view of a second arrangement thereof, which consists Modular A, two Modular B and one Modular C;  
FIG. 3 is a perspective view of a third arrangement thereof, which consists Modular A, three Modular B and one Modular C;  
FIG. 4 is a perspective view of a fourth arrangement thereof, which consists Modular A, four Modular B and one Modular C;  
FIG. 5 is a perspective view the Modular A of modular sofa;  
FIG. 6 is a front view thereof;  
FIG. 7 is back view thereof;  
FIG. 8 is a left side view thereof;  
FIG. 9 is a right side view thereof;  
FIG. 10 is a top view thereof;  
FIG. 11 is a bottom view thereof;  
FIG. 12 is a perspective view of the Modular B of modular sofa;  
FIG. 13 is a front view thereof;  
FIG. 14 is back view thereof;  
FIG. 15 is a left side view thereof;  
FIG. 16 is a right side view thereof;  
FIG. 17 is a top view thereof;  
FIG. 18 is a bottom view thereof;  
FIG. 19 is a perspective view of the Modular C of modular sofa;  
FIG. 20 is a perspective view the Modular C of modular sofa in open status;  
FIG. 21 is a front view thereof;  
FIG. 22 is back view thereof;  
FIG. 23 is a left side view thereof;  
FIG. 24 is a right side view thereof;  
FIG. 25 is a top view thereof; and,  
FIG. 26 is a bottom view thereof.  
The broken lines in the drawings depict portions of the modular sofa that form no part of the claimed design.

**1 Claim, 26 Drawing Sheets**



(58) **Field of Classification Search**  
 CPC ..... A47C 13/005  
 See application file for complete search history.

(56) **References Cited**

U.S. PATENT DOCUMENTS

5,890,767	A *	4/1999	Chang	.....	A47C 4/02 297/440.14
6,241,317	B1 *	6/2001	Wu	.....	A47C 4/02 297/440.1
D541,075	S *	4/2007	Natuzzi	.....	D6/381
D565,858	S *	4/2008	Natuzzi	.....	D6/381
D600,938	S *	9/2009	Natuzzi	.....	D6/381
D609,034	S *	2/2010	Lissoni	.....	D6/716
D666,847	S *	9/2012	Metcalf	.....	D6/717
8,764,114	B1 *	7/2014	Frank	.....	A47C 13/005 297/440.16
D717,560	S *	11/2014	Barber	.....	D6/381
D718,552	S *	12/2014	Kanthasamy	.....	D6/381
D737,068	S *	8/2015	Lenhart	.....	D6/373
D743,181	S *	11/2015	Cardona	.....	D6/381
D801,720	S *	11/2017	Morrison	.....	D6/381
D849,441	S *	5/2019	King	.....	D6/381
D850,140	S *	6/2019	Williams, Jr.	.....	D6/381
D850,141	S *	6/2019	King	.....	D6/381
D850,142	S *	6/2019	King	.....	D6/381
D851,419	S *	6/2019	King	.....	D6/381
10,327,557	B2 *	6/2019	Neil	.....	A47C 7/02
D874,178	S *	2/2020	Williams, Jr.	.....	D6/381
D874,179	S *	2/2020	Williams, Jr.	.....	D6/381
D898,402	S *	10/2020	King	.....	D6/381
D899,110	S *	10/2020	King	.....	D6/334
2017/0071354	A1 *	3/2017	Mezzera	.....	A47C 13/005
2020/0121090	A1 *	4/2020	Romano	.....	A47C 15/00

OTHER PUBLICATIONS

“HONBAY Square Ottoman Module for Modular Sectional Sofa, Storage Ottoman Footrest and Seat Cube, Bluish Grey” listing, Amazon.com. Listed as first available on Sep. 9, 2020. Retrieved on Jan. 8, 2020 from [www.amazon.com/HONBAY-Ottoman-Modular-Sectional-Footrest/dp/B094D2FN9X?ref\\_=ast\\_s](http://www.amazon.com/HONBAY-Ottoman-Modular-Sectional-Footrest/dp/B094D2FN9X?ref_=ast_s) (Year: 2020).\*

“HONBAY Convertible Sectional Sofa with Chaise Modern L Shape Couch with Ottoman, Modular Sofa Couch for Small Space, Grey” listing, Amazon.com. Listed as first available on Sep. 9, 2020. Retrieved on Jan. 8, 2020 from [www.amazon.com/HONBAY-Convertible-Sectional-Reversible-Apartment/dp/B08HN1FZN/ref=pd\\_di\\_sccai\\_3/132-8517413-0432031?pd\\_rd\\_w=k9yfR&pf\\_rd\\_p=c9443270-b914-4430-a90b-72e3e7e784e0&pf\\_rd\\_r=KEJFJ1104GYXYN8345F&pd\\_rd\\_r=9d09e29f-ab79-461d-b839-8b1e7b77f179&pd\\_rd\\_wg=y7UGD&pd\\_rd\\_i=B08HN1GJ4R&th=1](http://www.amazon.com/HONBAY-Convertible-Sectional-Reversible-Apartment/dp/B08HN1FZN/ref=pd_di_sccai_3/132-8517413-0432031?pd_rd_w=k9yfR&pf_rd_p=c9443270-b914-4430-a90b-72e3e7e784e0&pf_rd_r=KEJFJ1104GYXYN8345F&pd_rd_r=9d09e29f-ab79-461d-b839-8b1e7b77f179&pd_rd_wg=y7UGD&pd_rd_i=B08HN1GJ4R&th=1) (Year: 2020).\*

“HONBAY Reversible Sectional Sofa Couch, Modern Apartment L-Shaped Couch Modular Sectional Sofa with Storage, Aqua Blue” listing, Amazon.com. Listed as first available on Sep. 9, 2020. Retrieved on Jan. 8, 2022 from [https://www.amazon.com/HONBAY-Reversible-Sectional-Apartment-L-Shaped/dp/B08HMZ71MH/ref=psdc\\_3733551\\_t2\\_B08HQB53TX?th=1UEyT0tVV09US1Q1V11SJmVuY3J5cHRIZEIkPUEwNTY2NTUyM0JMN083Q0NRN0IHOSZlbnNyeXB0ZWZlZkPUEwMDkwNzQyUEExJSDJIVIBOQINQJndpZGdldE5hbWU9c3BfZGV0YWlsMiZhY3Rpb249Y2xpY2tSZWRpcmVjdCZkb05vdExvZ0NsaWNrPXRydWU&th=1](https://www.amazon.com/HONBAY-Reversible-Sectional-Apartment-L-Shaped/dp/B08HMZ71MH/ref=psdc_3733551_t2_B08HQB53TX?th=1UEyT0tVV09US1Q1V11SJmVuY3J5cHRIZEIkPUEwNTY2NTUyM0JMN083Q0NRN0IHOSZlbnNyeXB0ZWZlZkPUEwMDkwNzQyUEExJSDJIVIBOQINQJndpZGdldE5hbWU9c3BfZGV0YWlsMiZhY3Rpb249Y2xpY2tSZWRpcmVjdCZkb05vdExvZ0NsaWNrPXRydWU&th=1) (Year: 2020).\*

“HONBAY Reversible Sectional Sofa L Shaped Couch with Storage Convertible Modular Sofa with Chaise, Aqua Blue” listing, Amazon.com. Listed as first available on Sep. 9, 2020. Retrieved on Jan. 8, 2020 from [https://www.amazon.com/dp/B08HQB53TX/ref=sspa\\_dk\\_detail\\_1?spLa=ZW5jcnlwdGVkUXVhbGlmaWVyP](https://www.amazon.com/dp/B08HQB53TX/ref=sspa_dk_detail_1?spLa=ZW5jcnlwdGVkUXVhbGlmaWVyP) (Year: 2020).\*

“HONBAY Side Armrest Module for Modular Sofa Pair of Armrests for Sectional Modular Couch, Grey” listing, Amazon.com. Listed as first available on Sep. 10, 2020. Retrieved on Jan. 8, 2022 from [https://www.amazon.com/HONBAY-Modular-Customizable-Sectional-Armless/dp/B08HQX5PVP/ref=sr\\_1\\_2?crid=W8K847TC9W69&keywords=modular%2Bsofa&qid=1641679118&prefix=modular%2Bsofa%2Caps%2C142&sr=8-2&th=1ref=sr\\_1\\_2?crid=W8K847TC9W69&keywords=modular%2Bsofa&qid=1641679118&prefix=modular%2Bsofa%2Caps%2C142&sr=8-2&th=1](https://www.amazon.com/HONBAY-Modular-Customizable-Sectional-Armless/dp/B08HQX5PVP/ref=sr_1_2?crid=W8K847TC9W69&keywords=modular%2Bsofa&qid=1641679118&prefix=modular%2Bsofa%2Caps%2C142&sr=8-2&th=1ref=sr_1_2?crid=W8K847TC9W69&keywords=modular%2Bsofa&qid=1641679118&prefix=modular%2Bsofa%2Caps%2C142&sr=8-2&th=1) (Year: 2020).\*

“HONBAY Modern Fabric Middle Module for Modular Sofa Customizable Sectional Sofa Couch Accent Armless Chair, Grey” listing, Amazon.com. Listed as first available on Sep. 10, 2020. Retrieved on Jan. 8, 2022 from <https://www.amazon.com/HONBAY-Modular-Customizable-Sectional-Armless/dp/B08HQKCGTW/> (Year: 2020).\*

\* cited by examiner

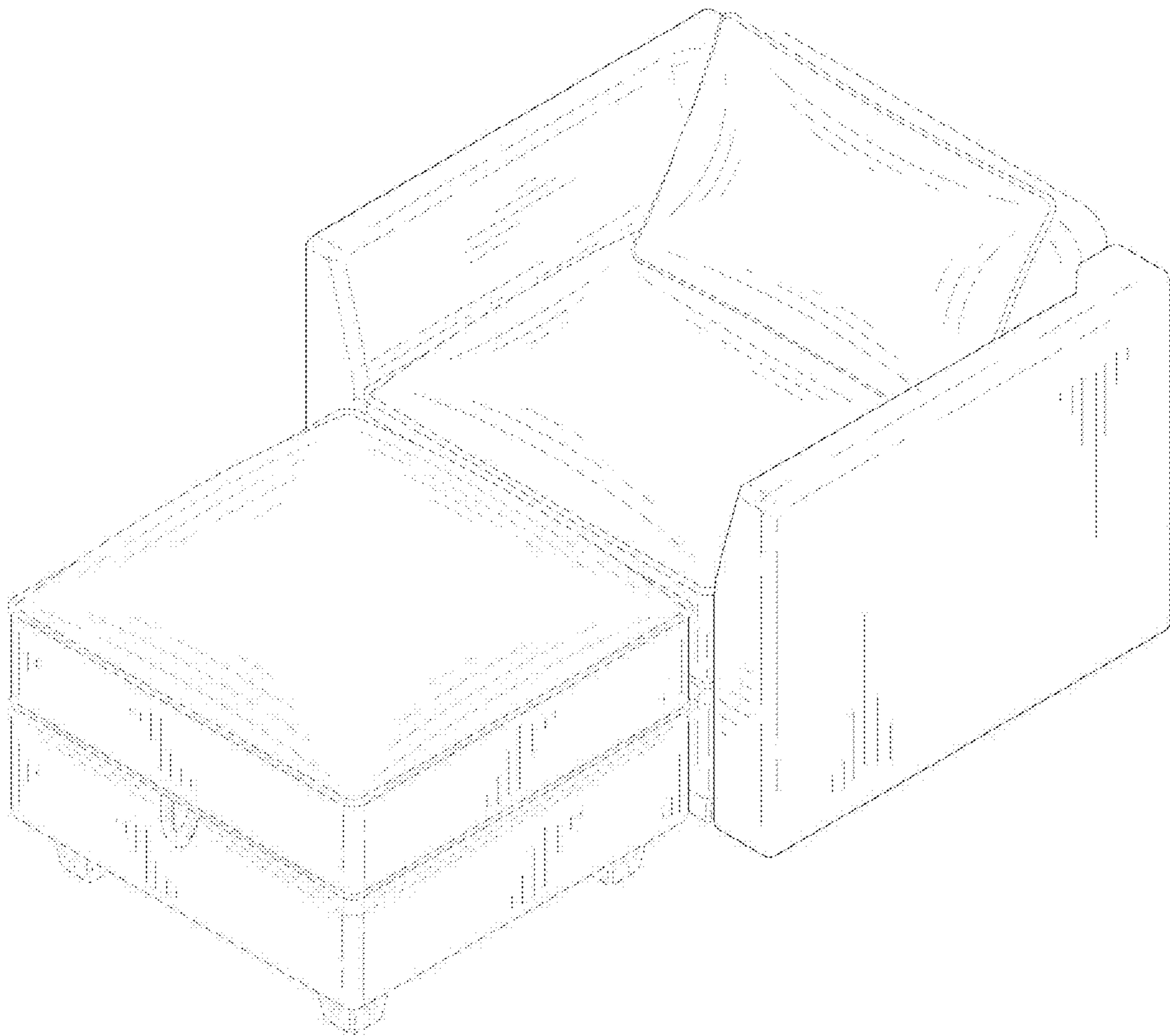


FIG 1

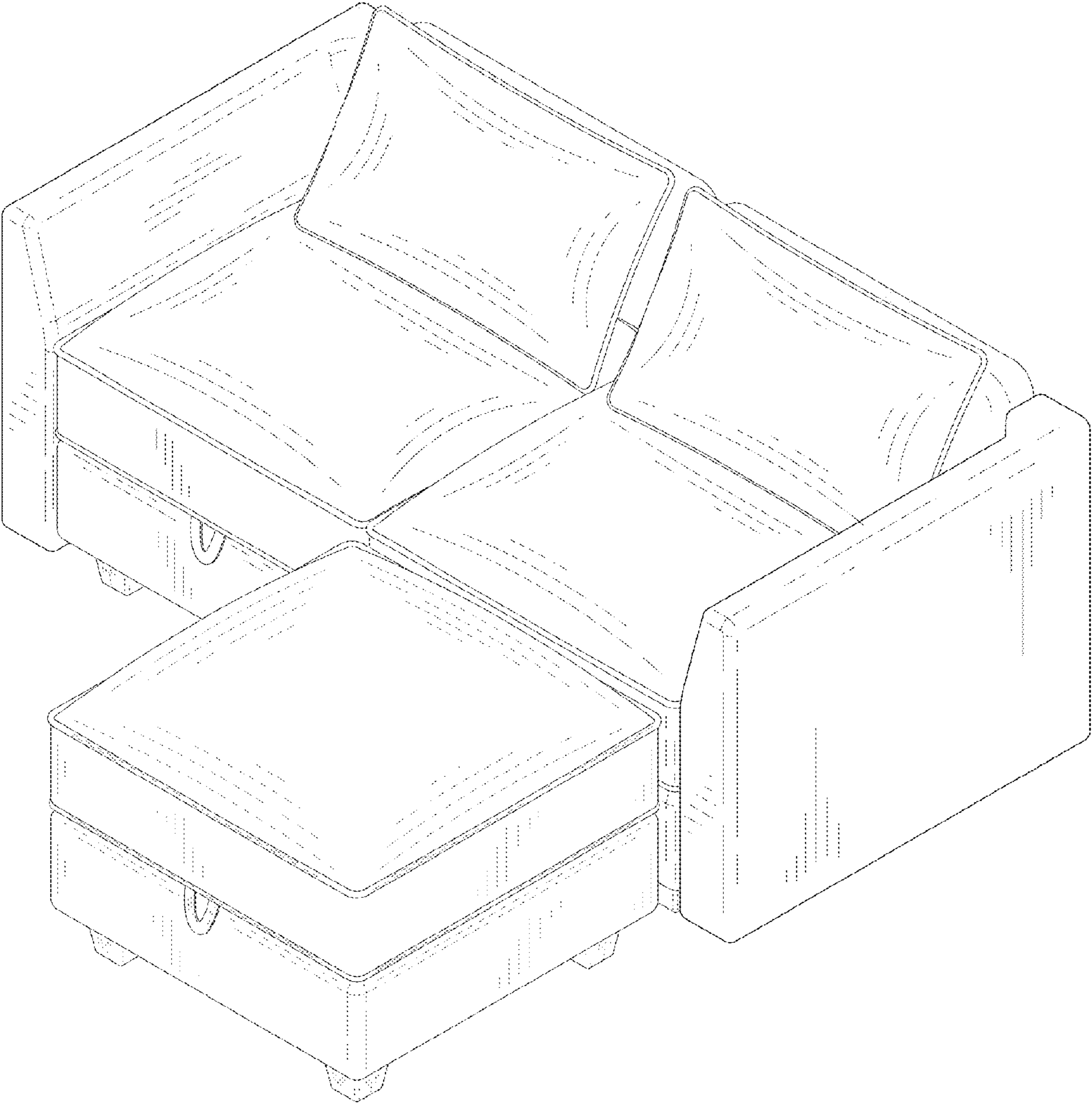


FIG.2

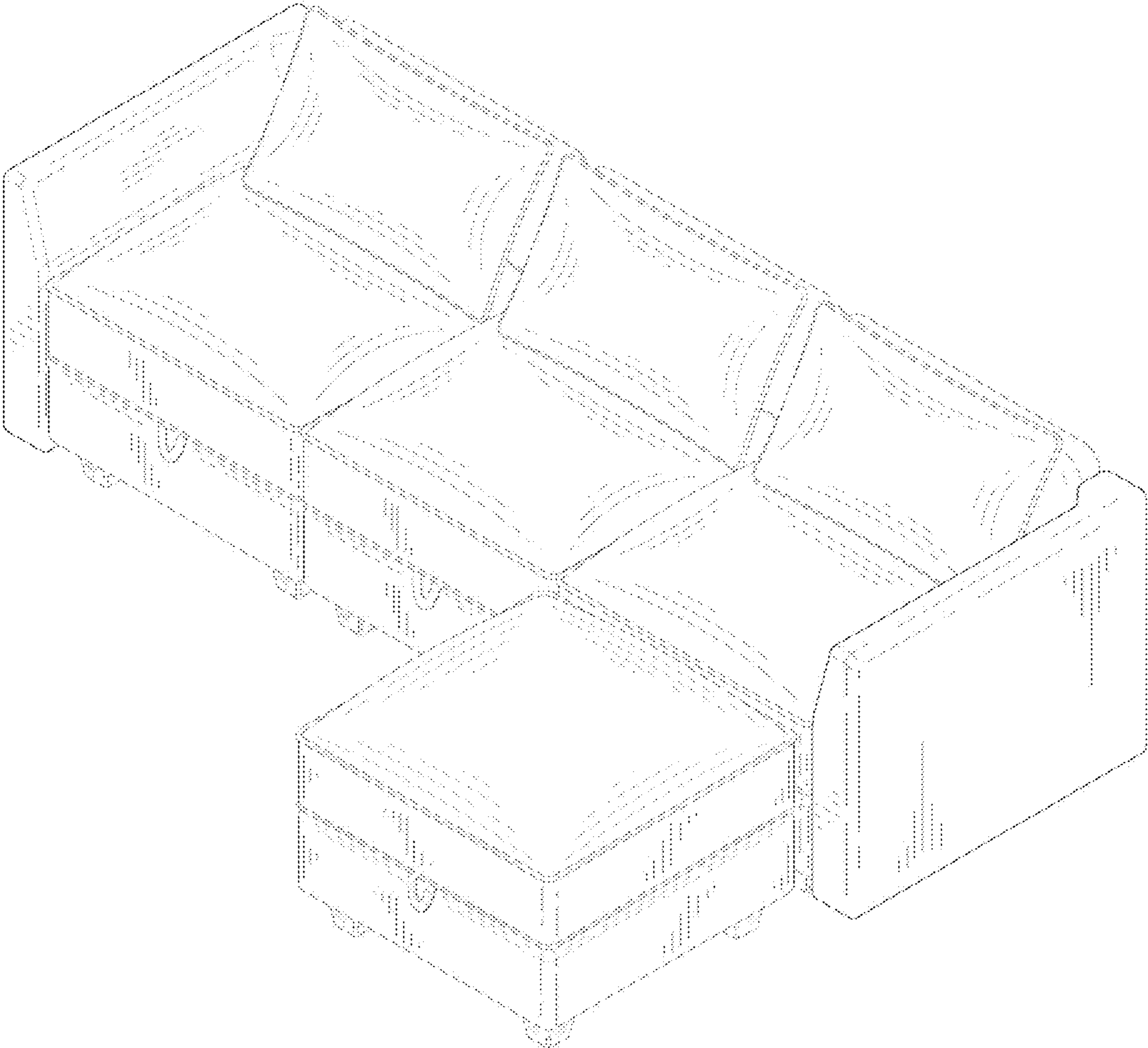


FIG 3

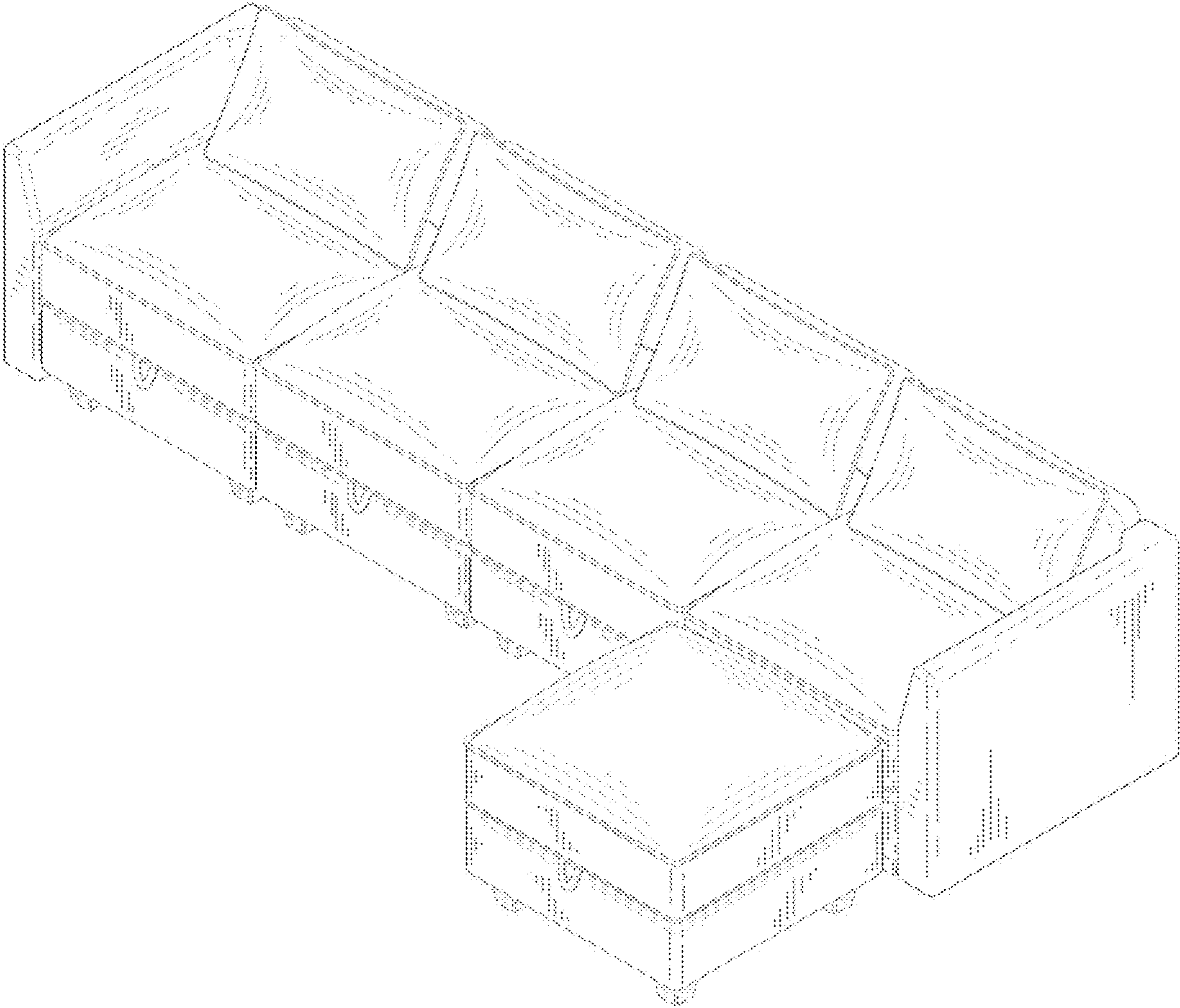


FIG 4

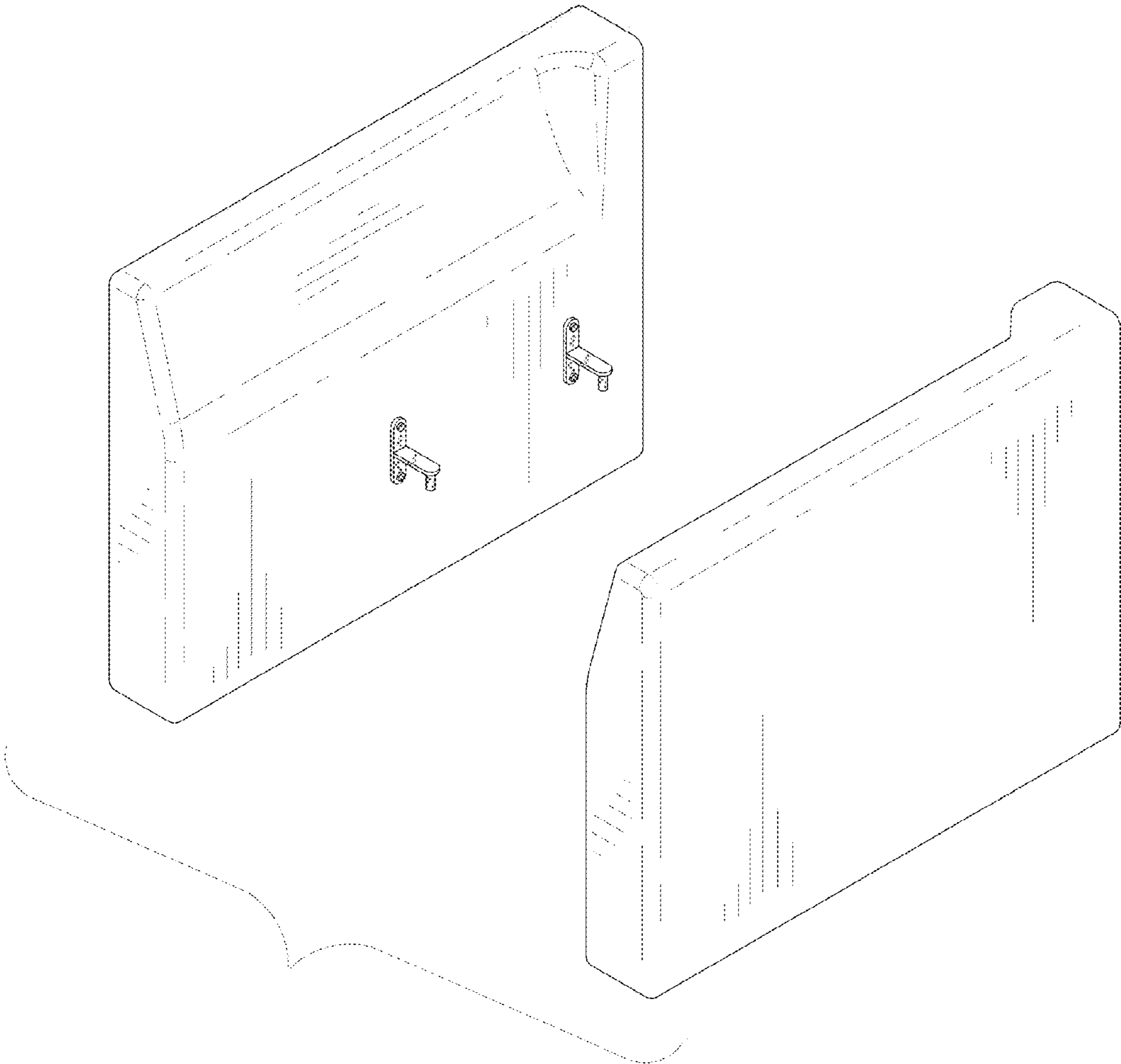


FIG. 5

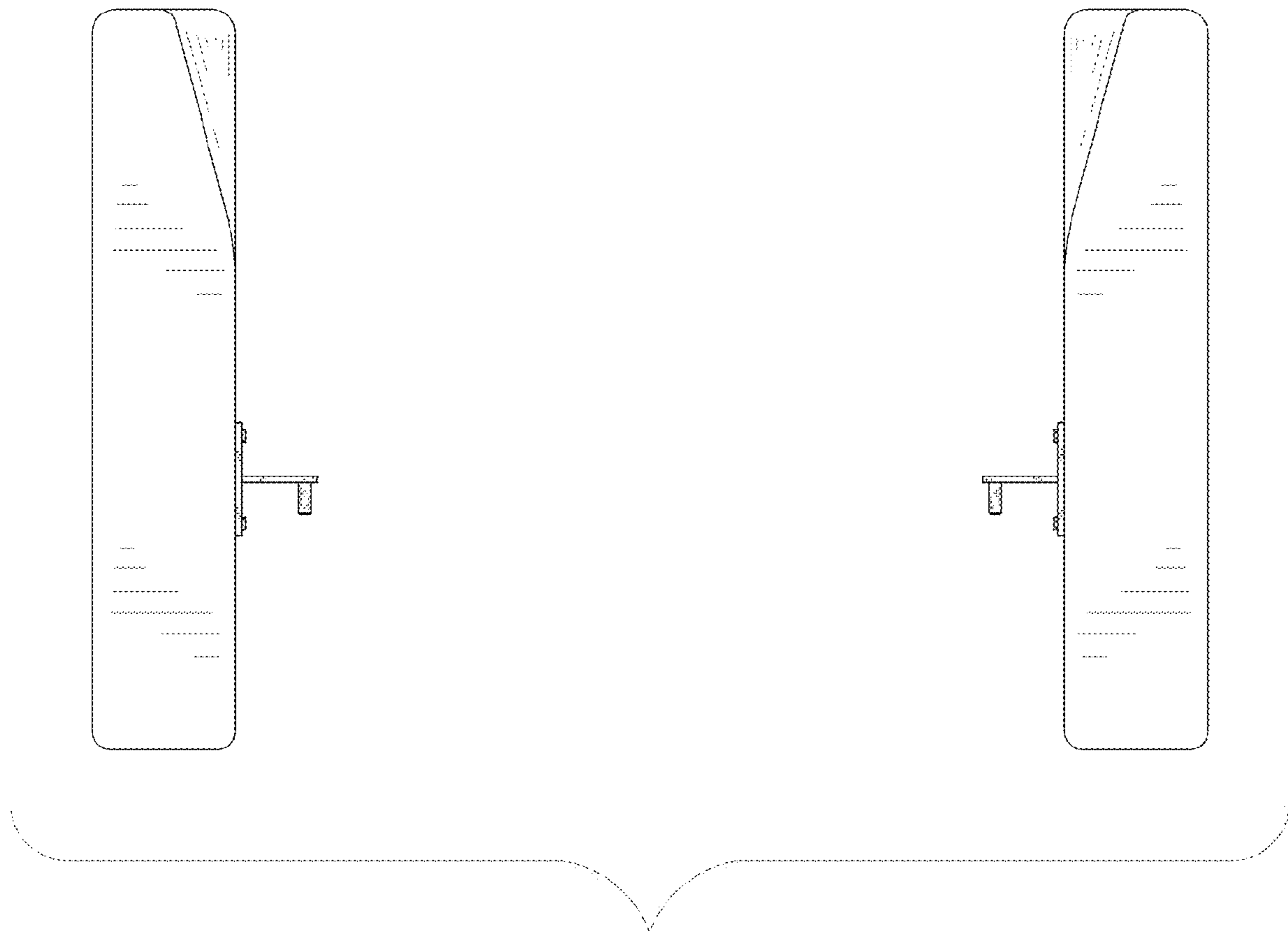


FIG. 6



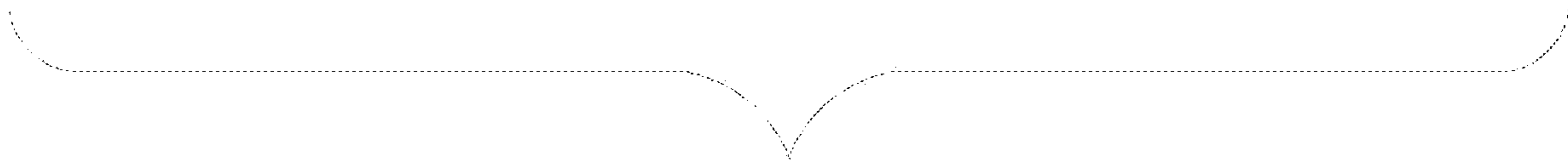


FIG. 7

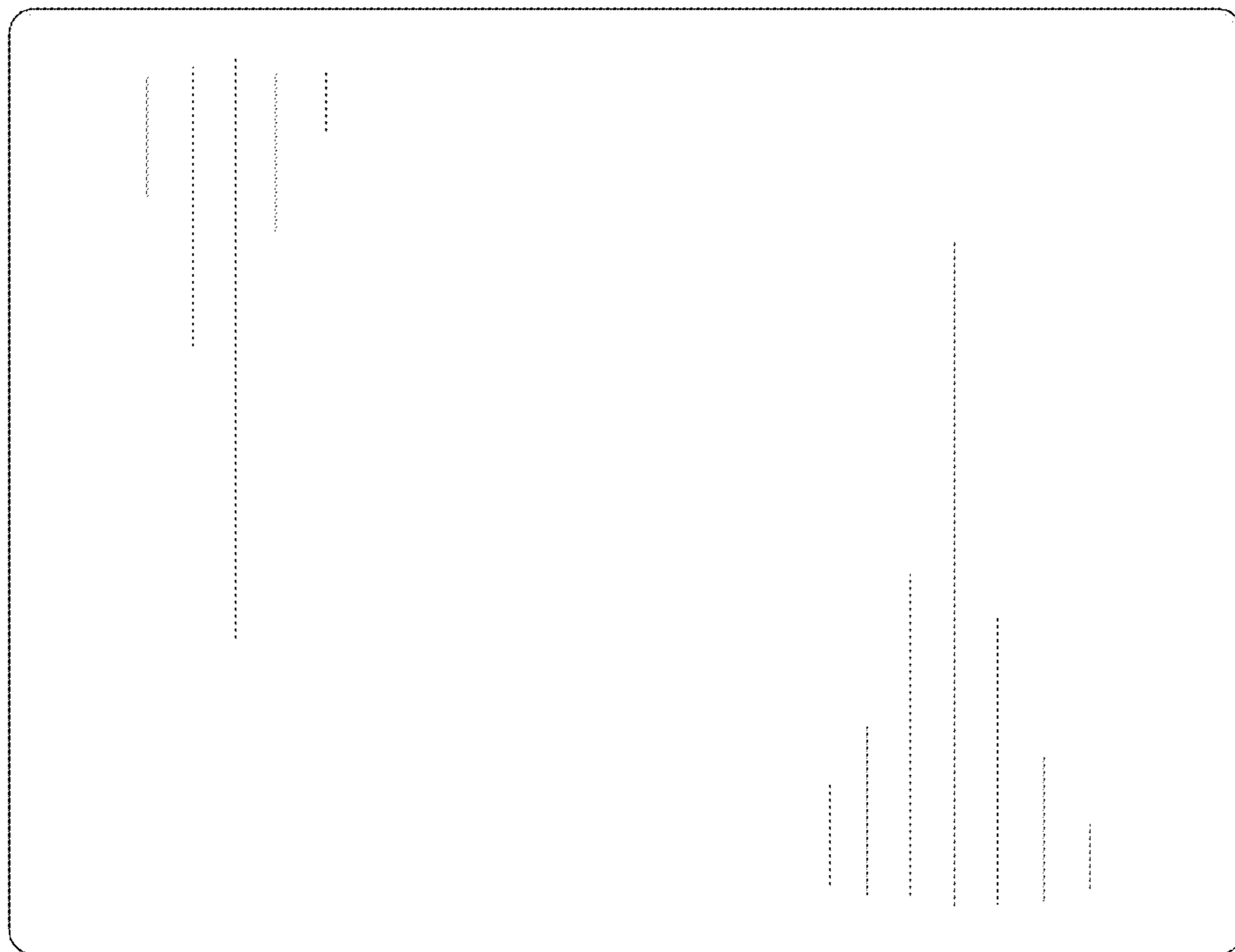


FIG. 8

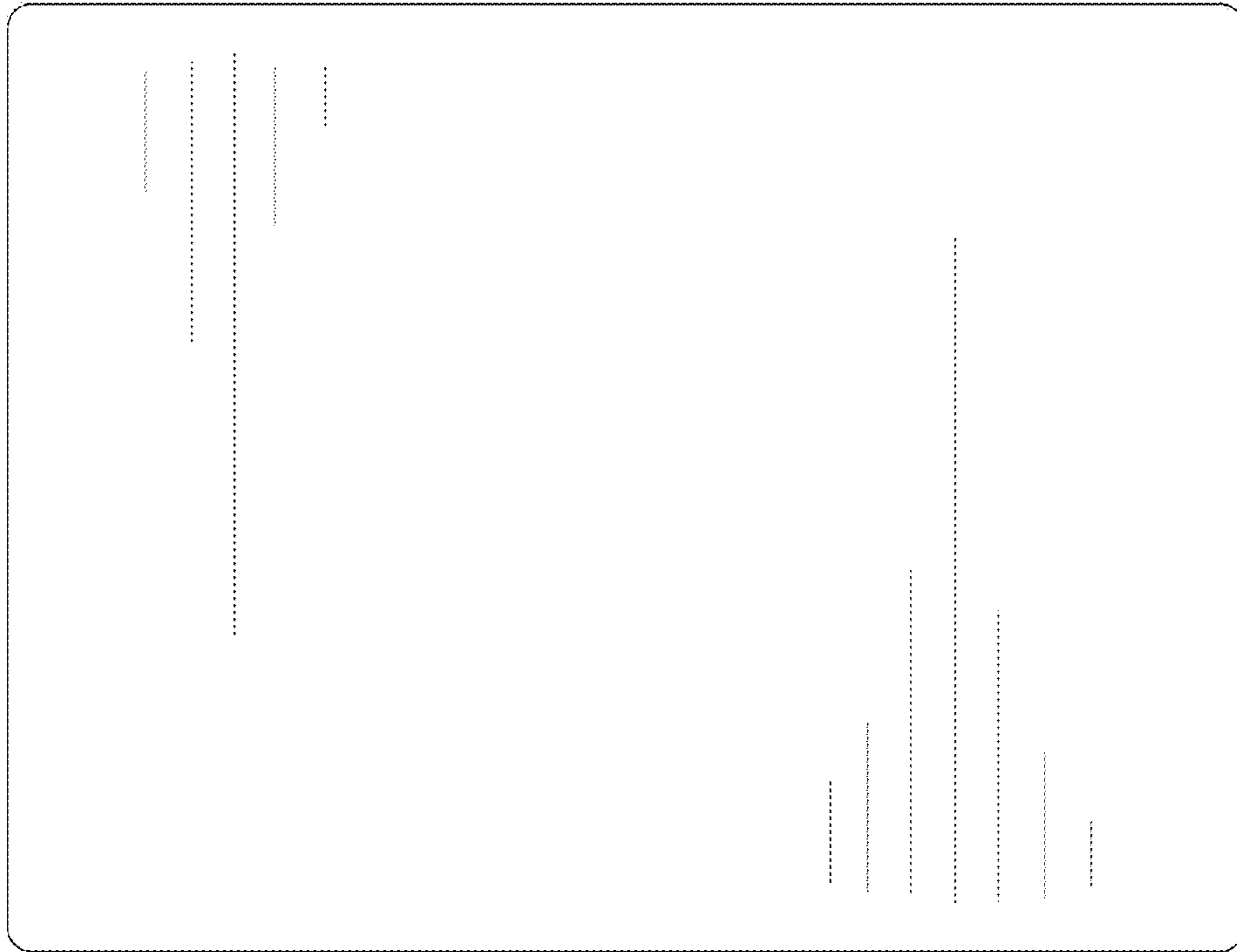


FIG. 9

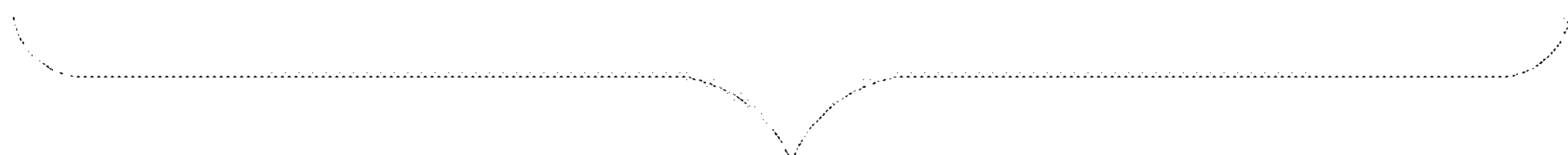
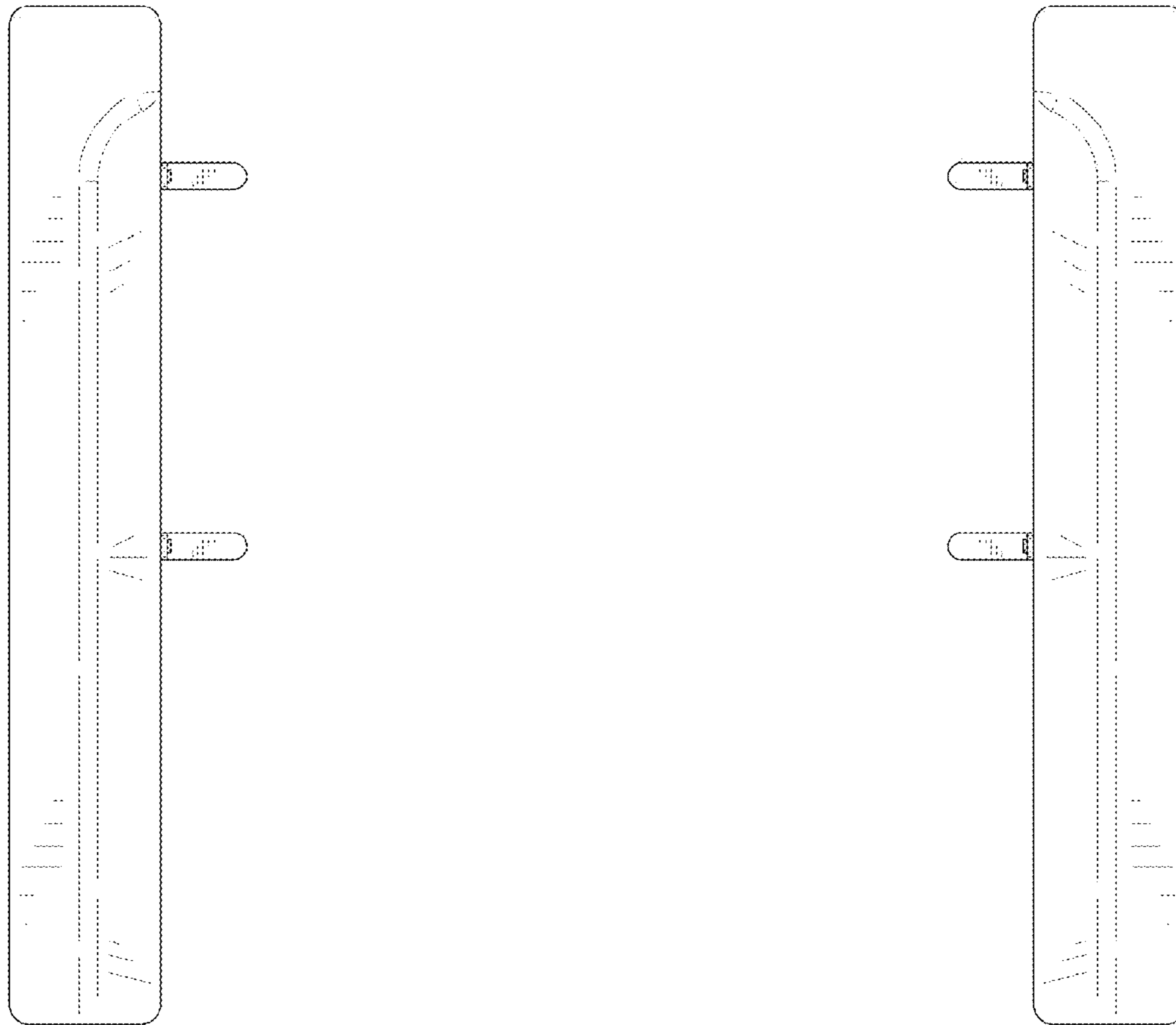


FIG.10

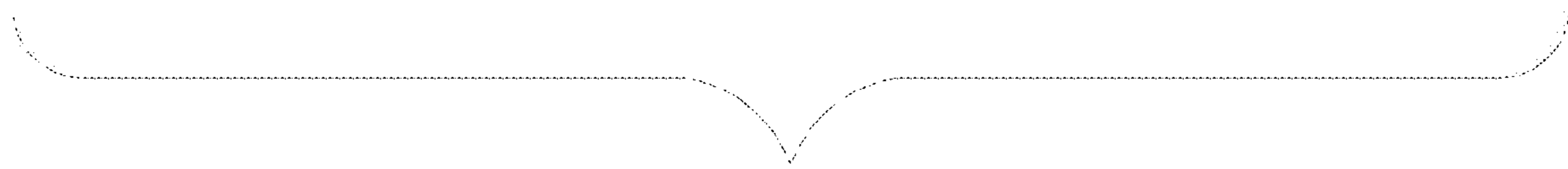
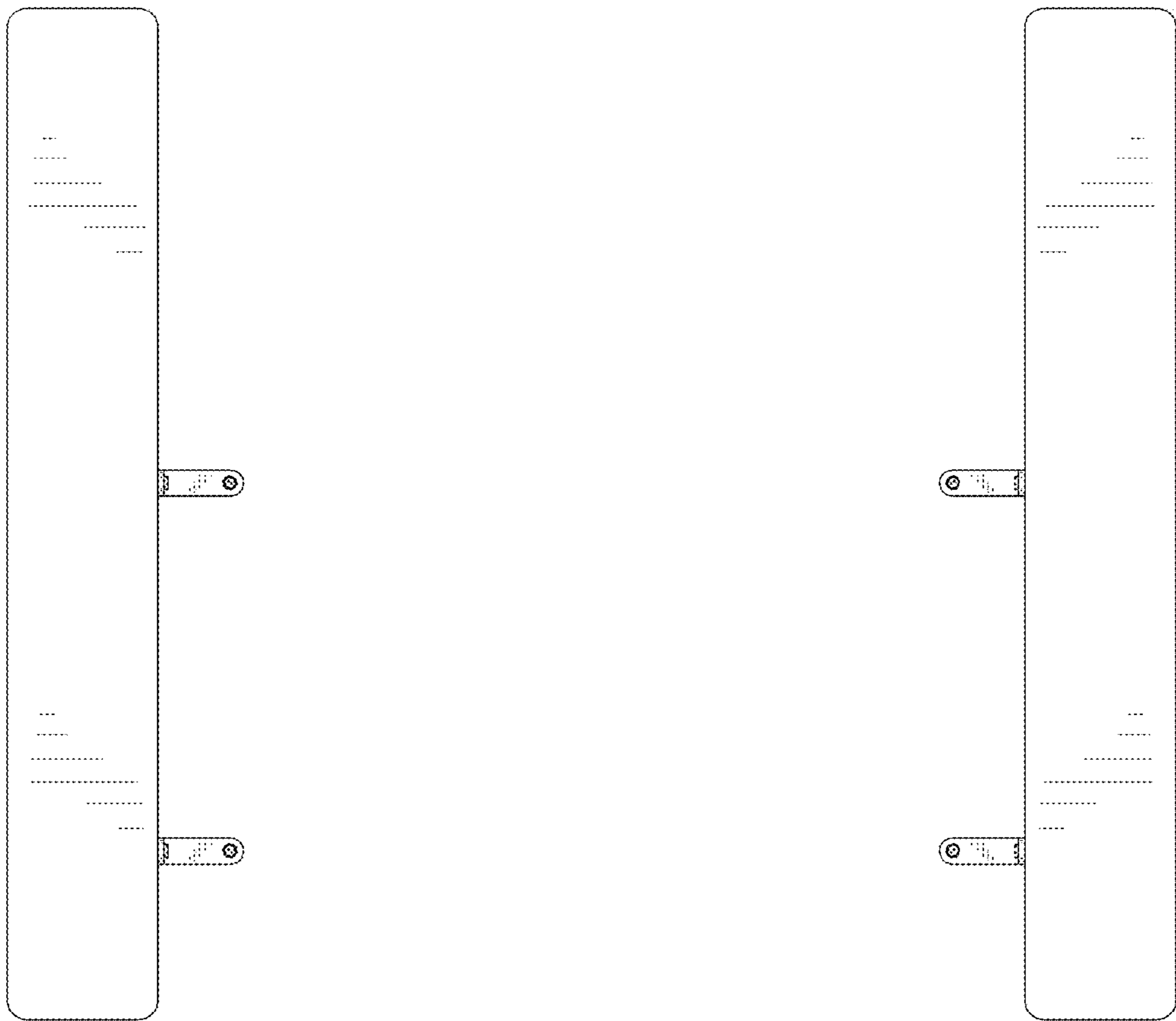


FIG.11

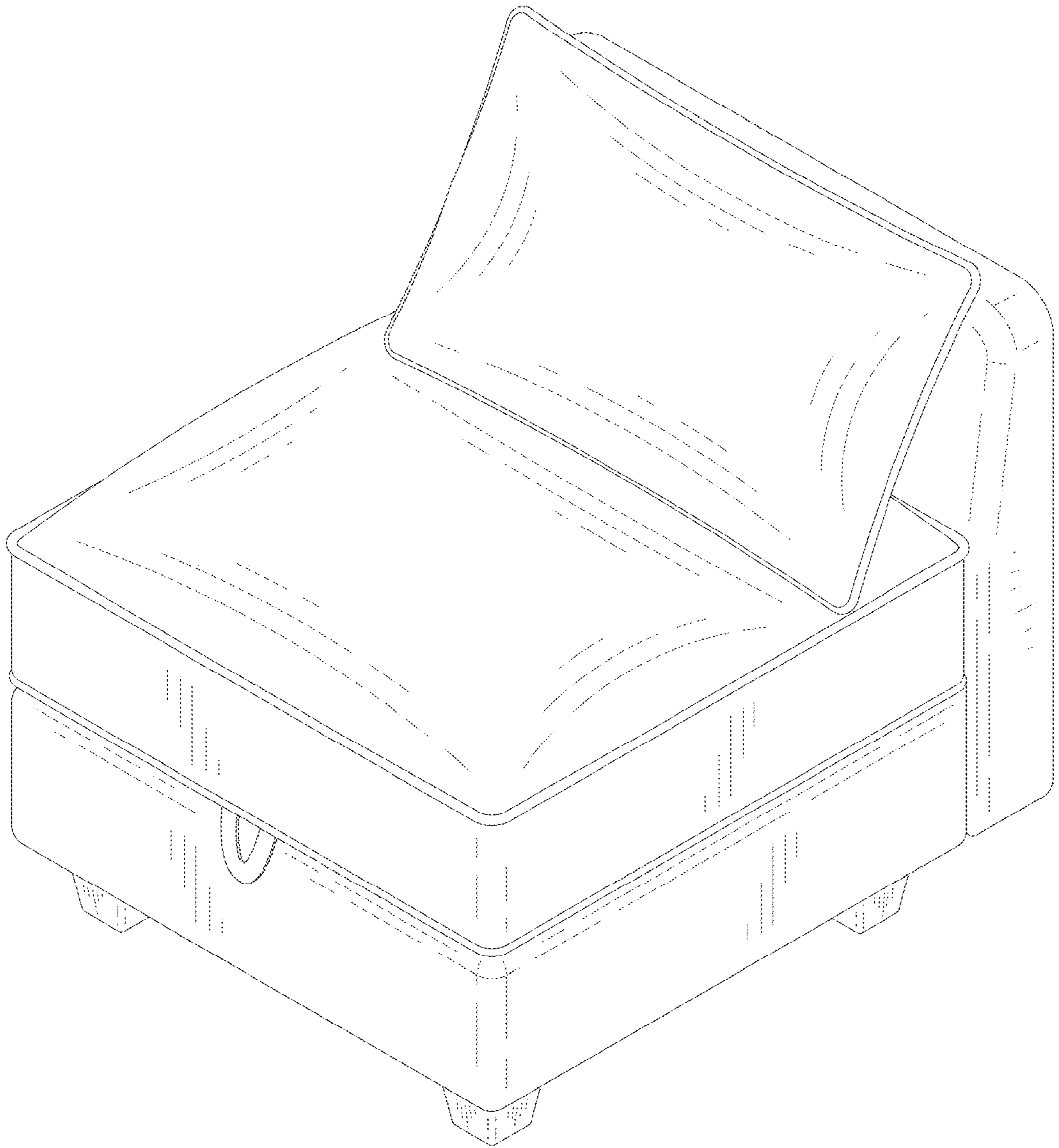


FIG.12

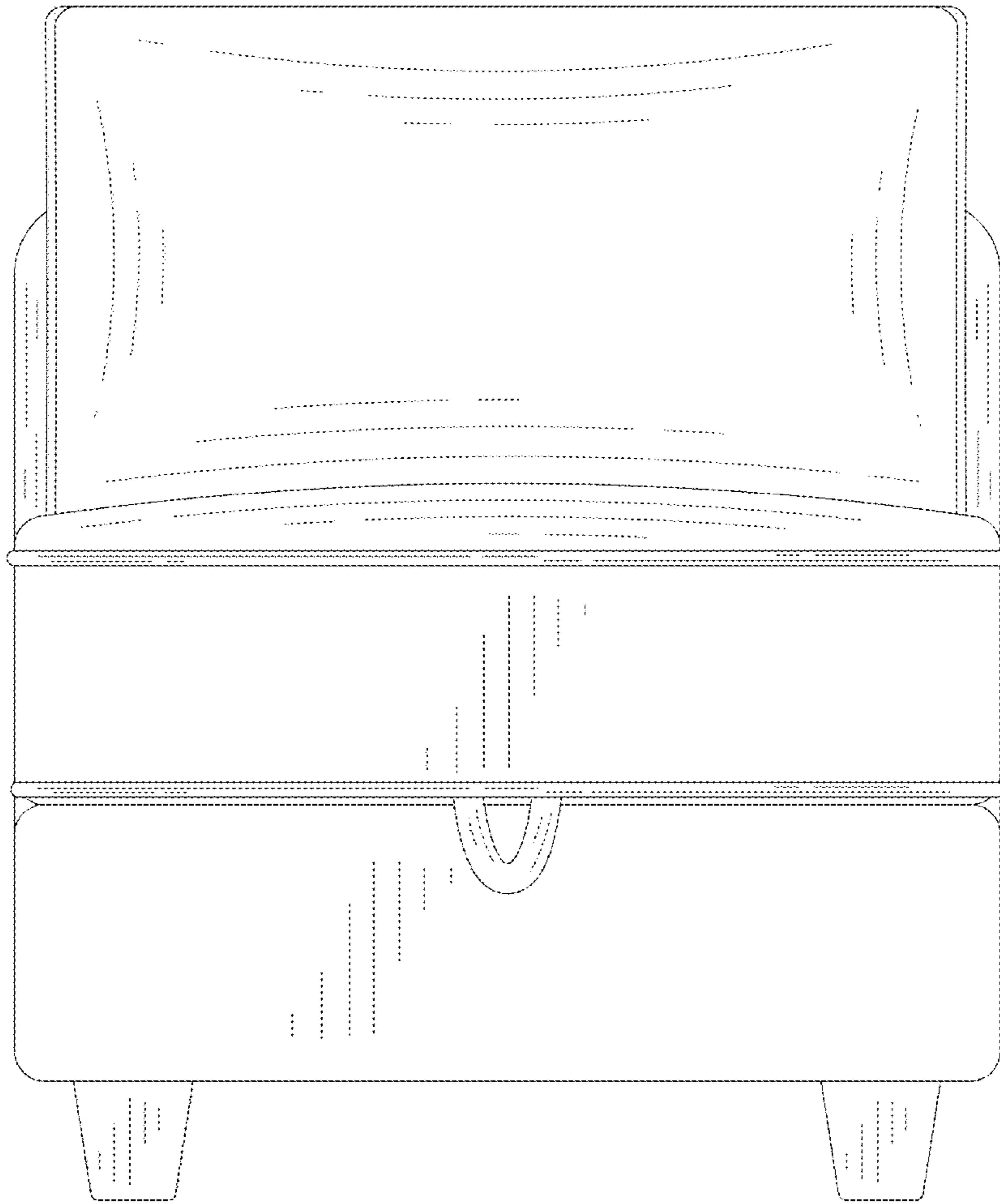


FIG.13

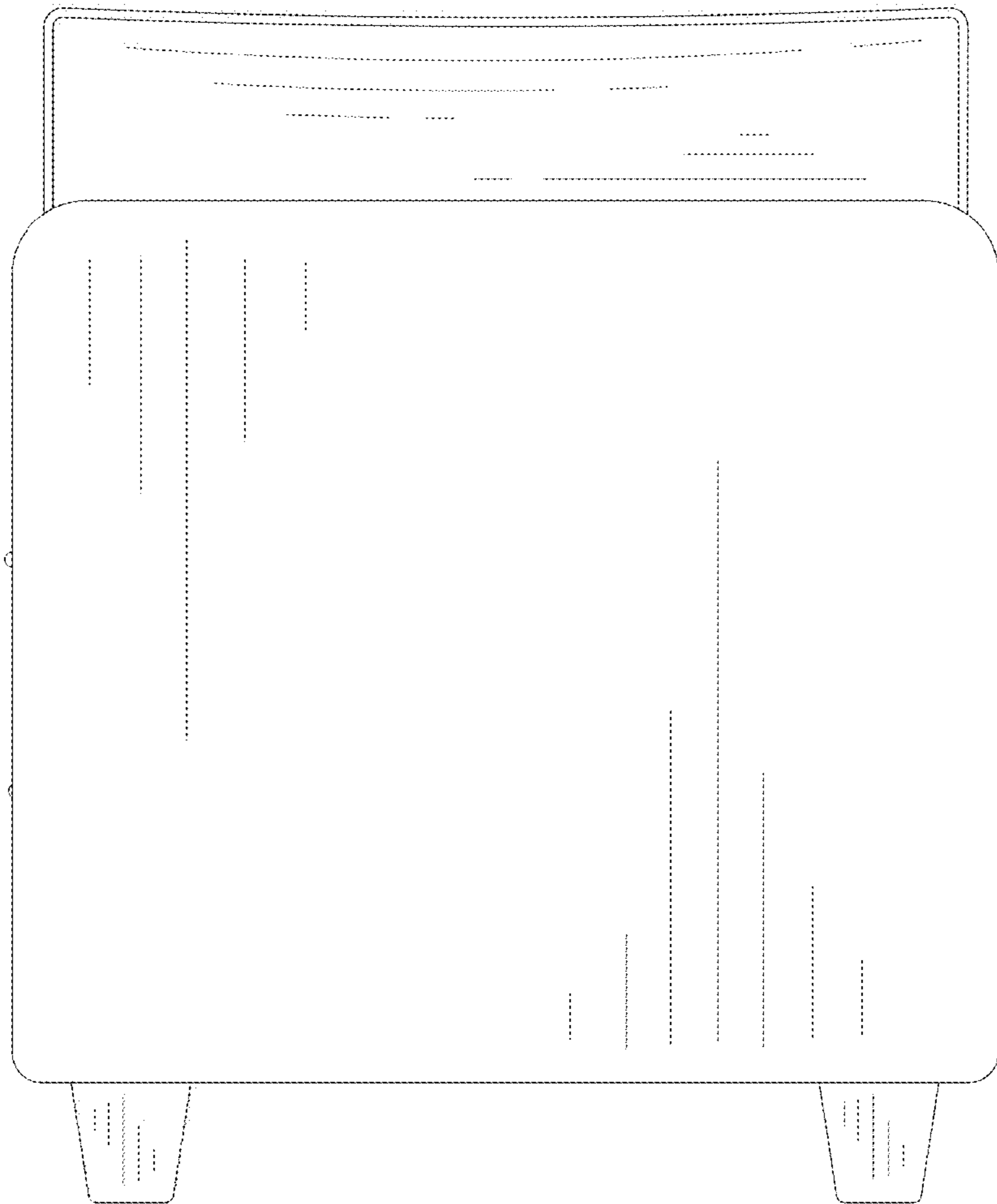


FIG.14



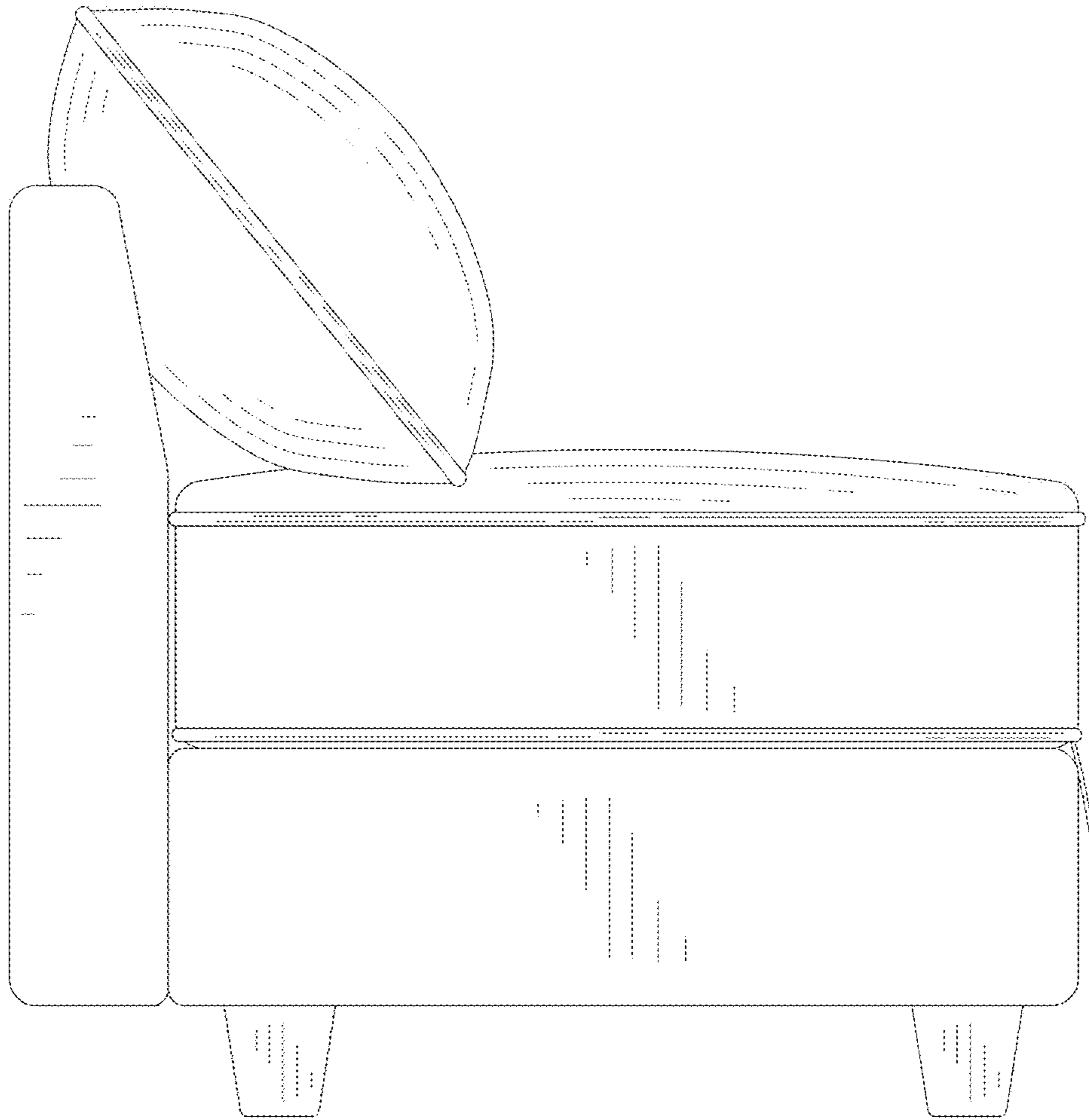


FIG.15

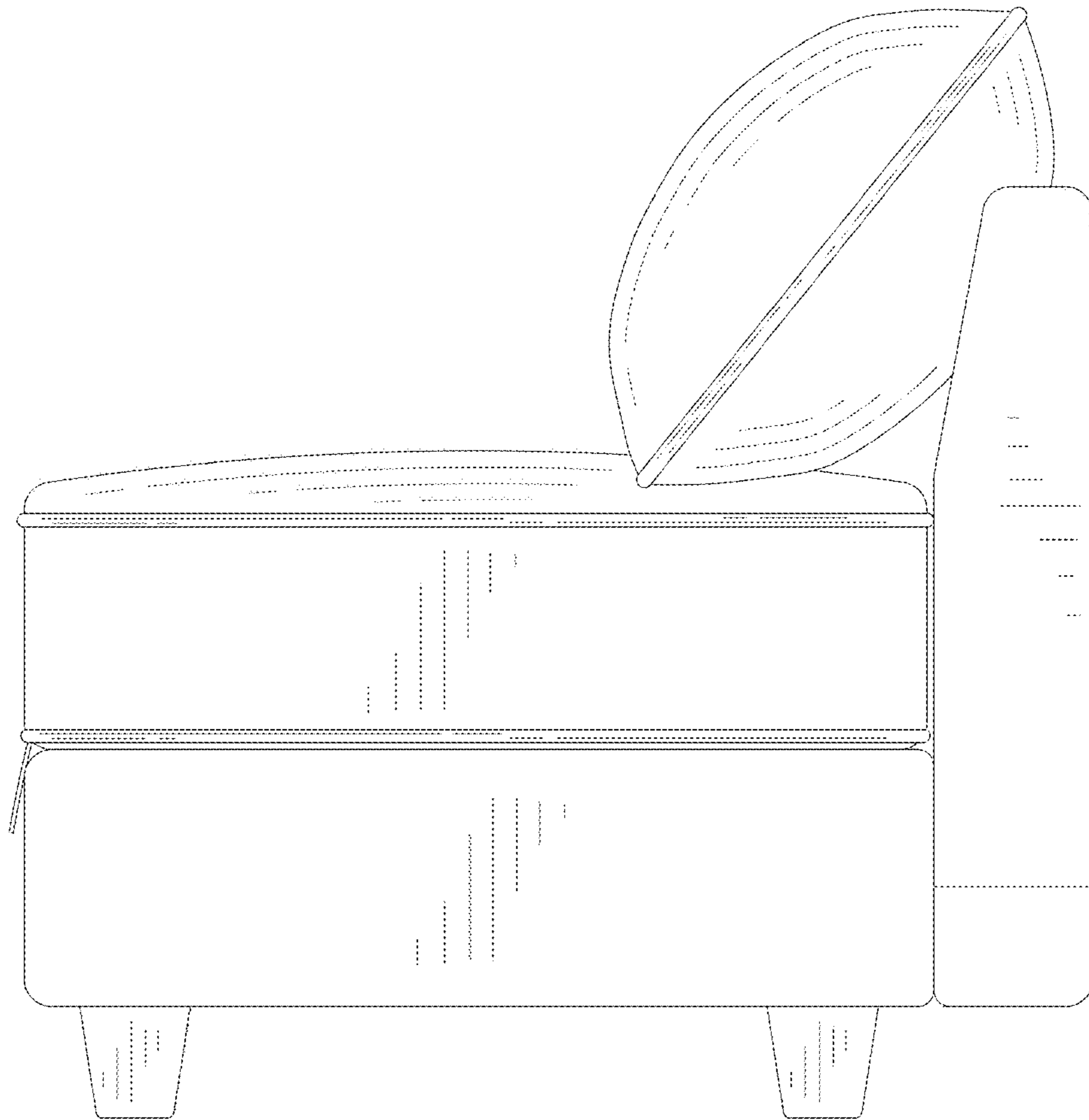


FIG.16

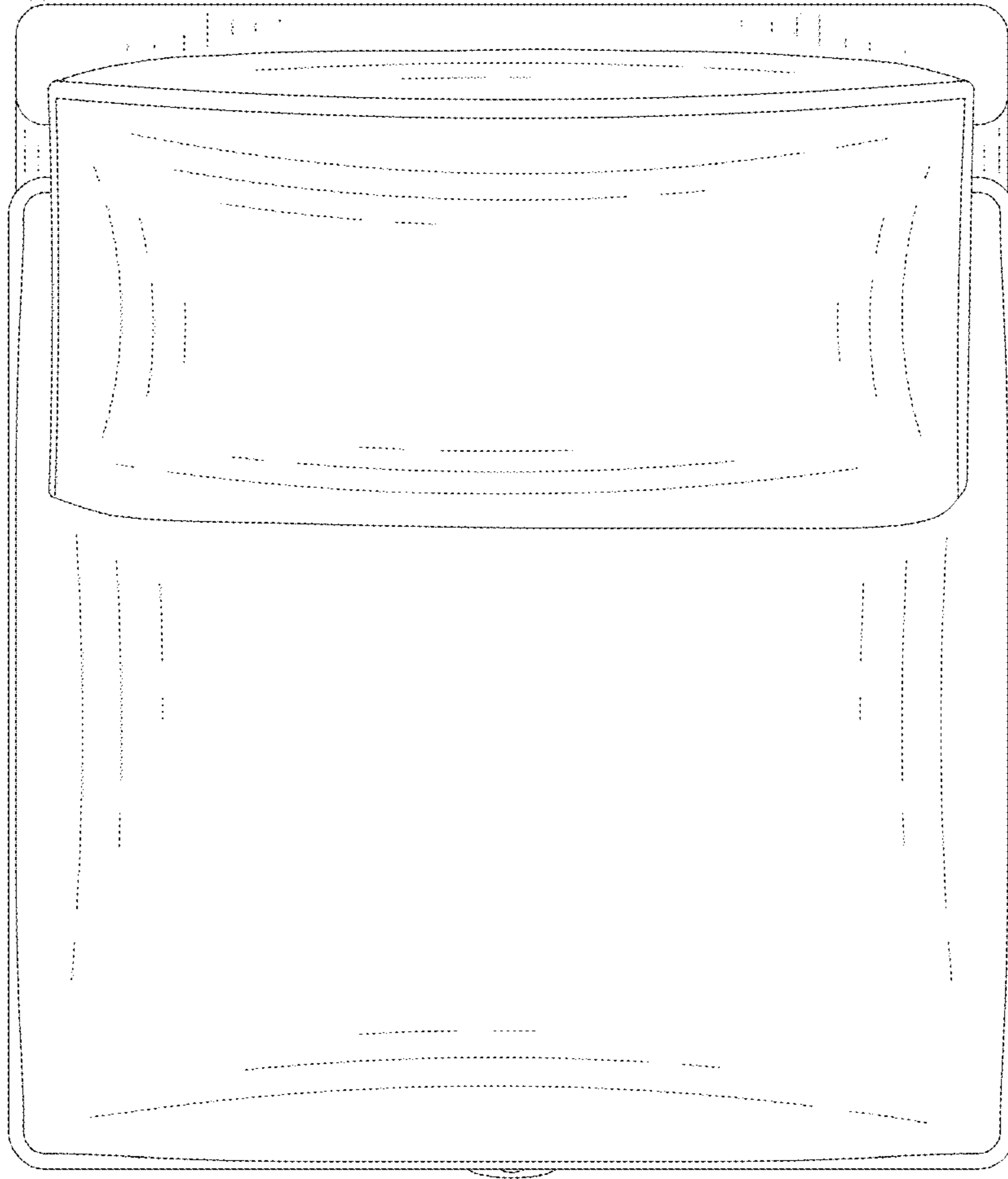


FIG.17

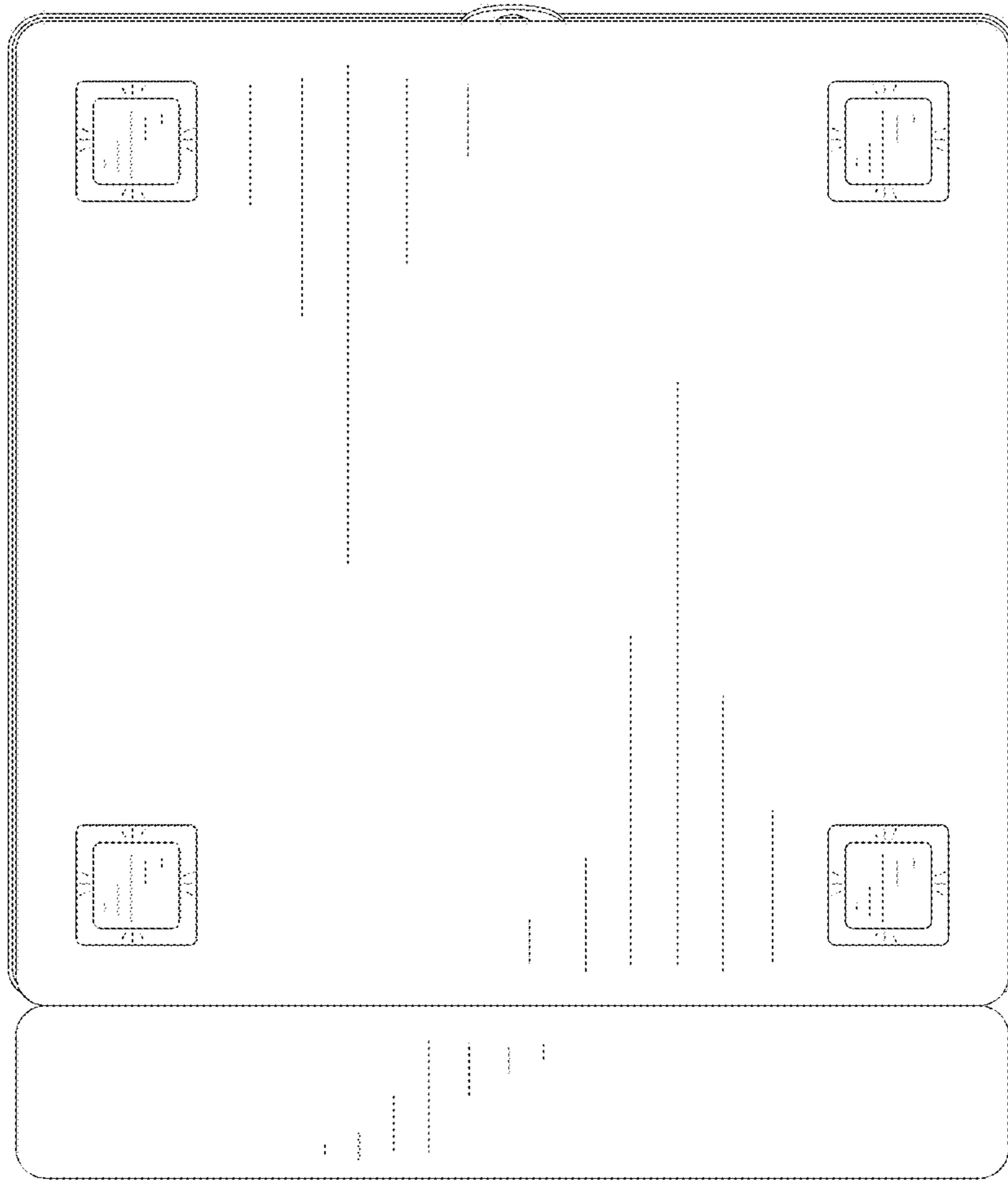


FIG.18

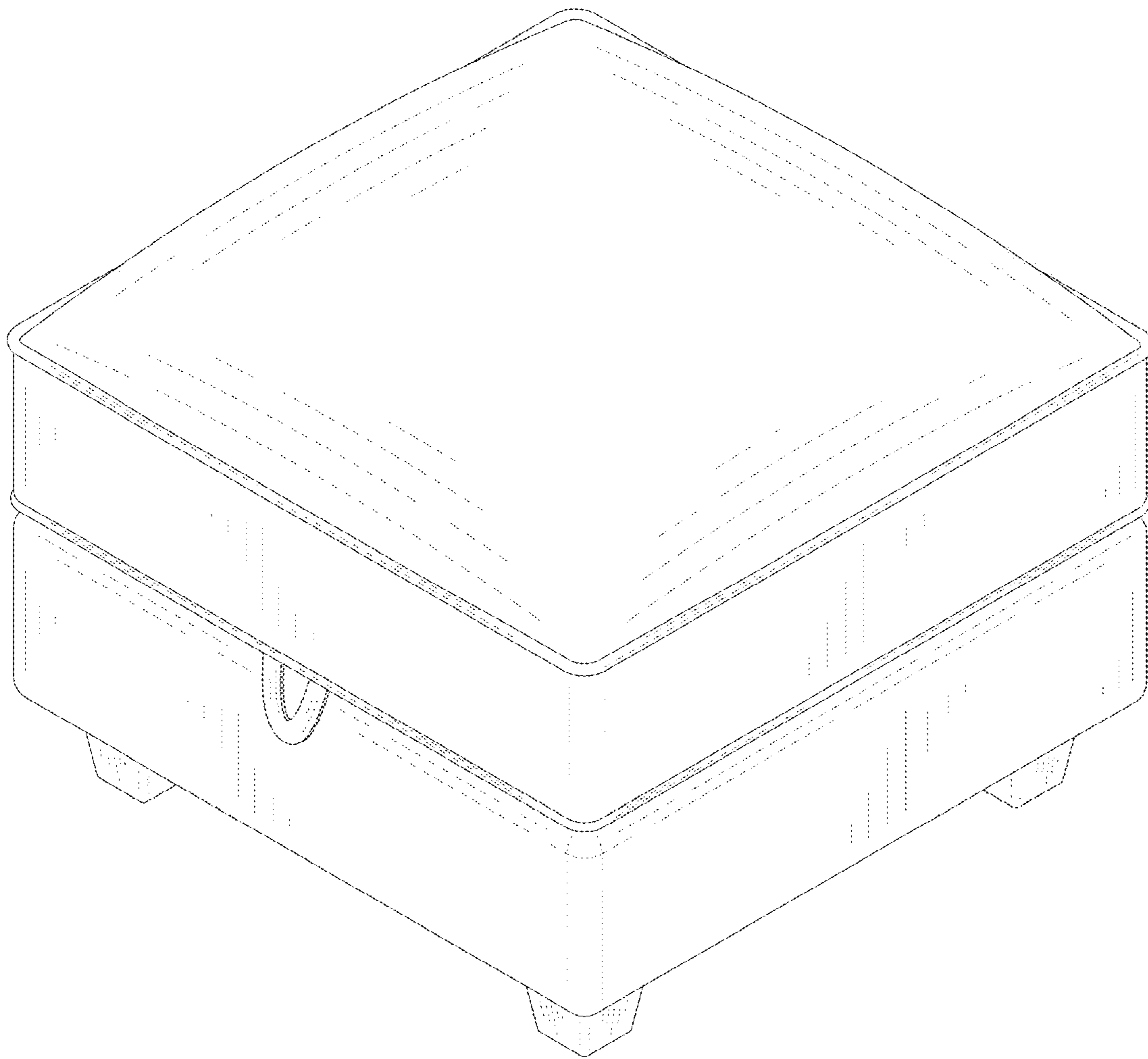


FIG.19

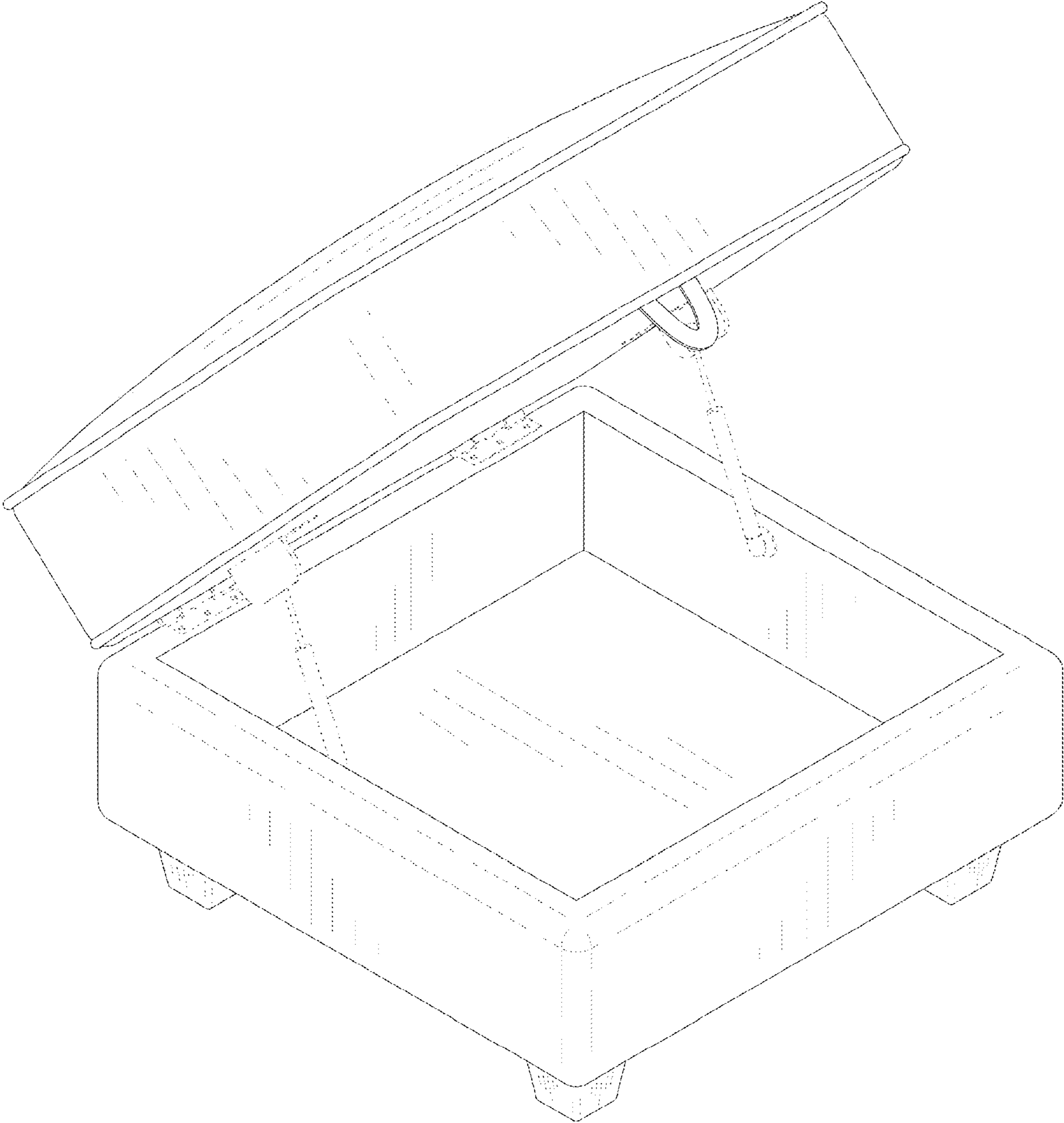


FIG. 20

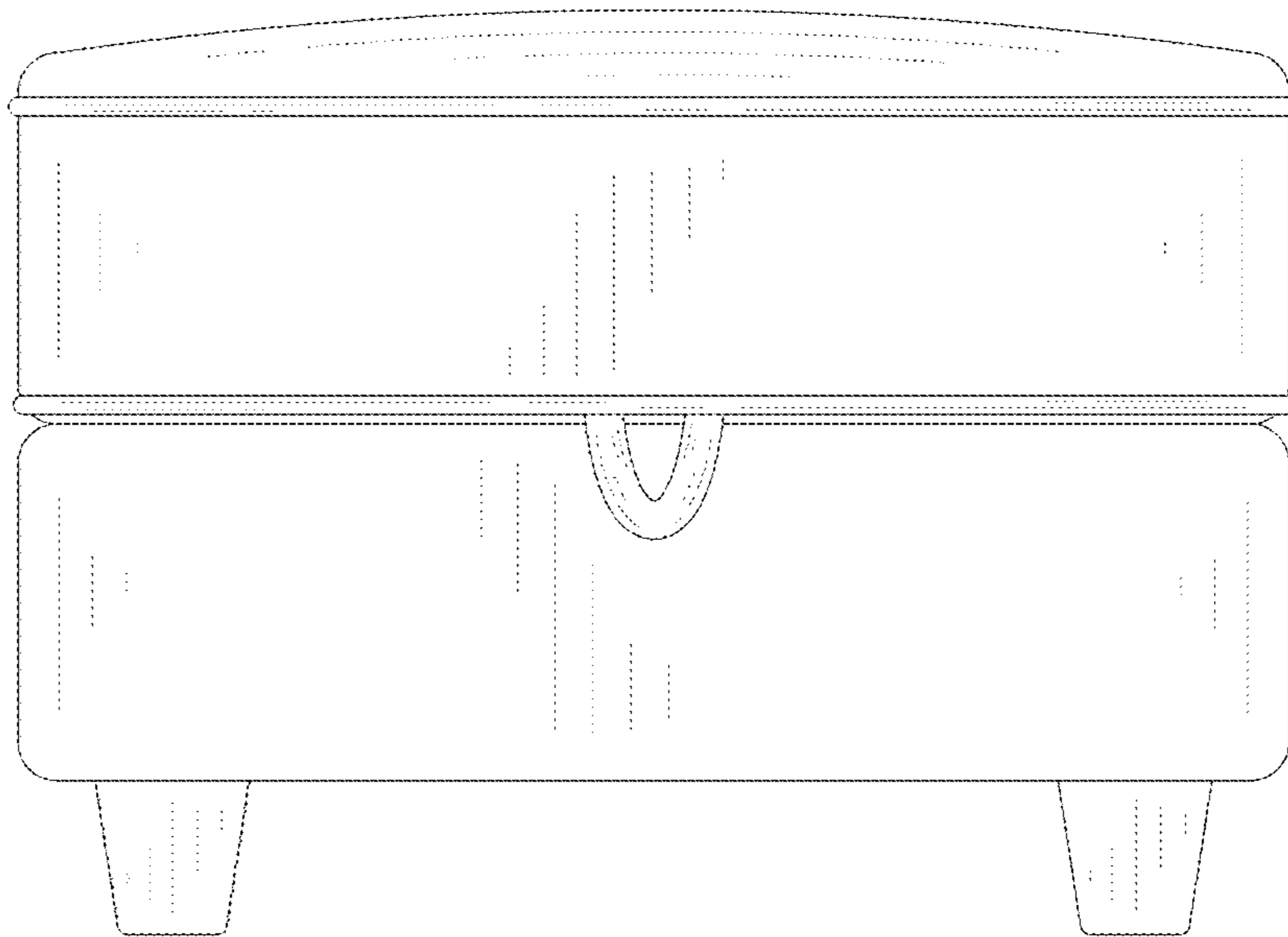


FIG.21

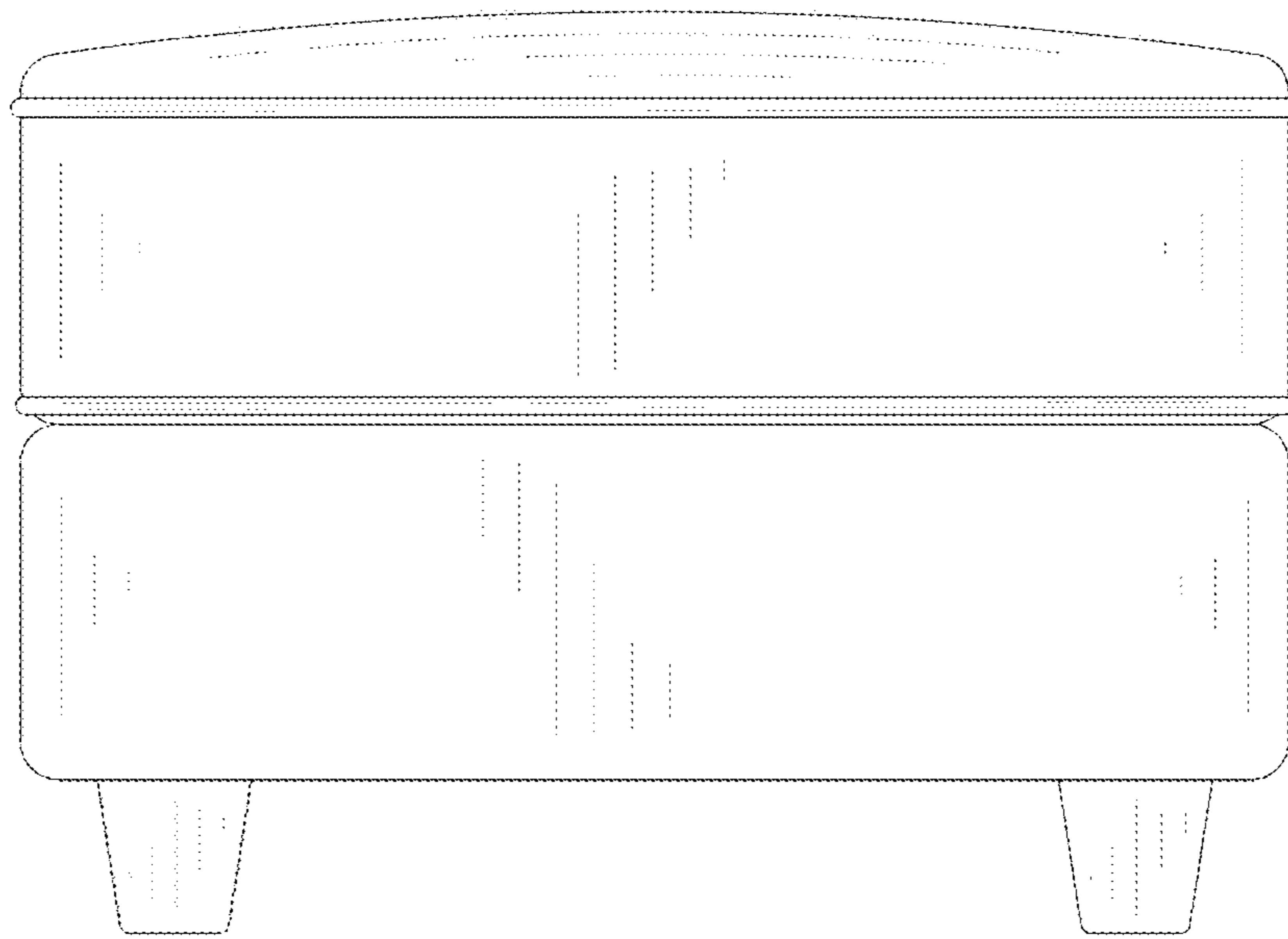


FIG. 22



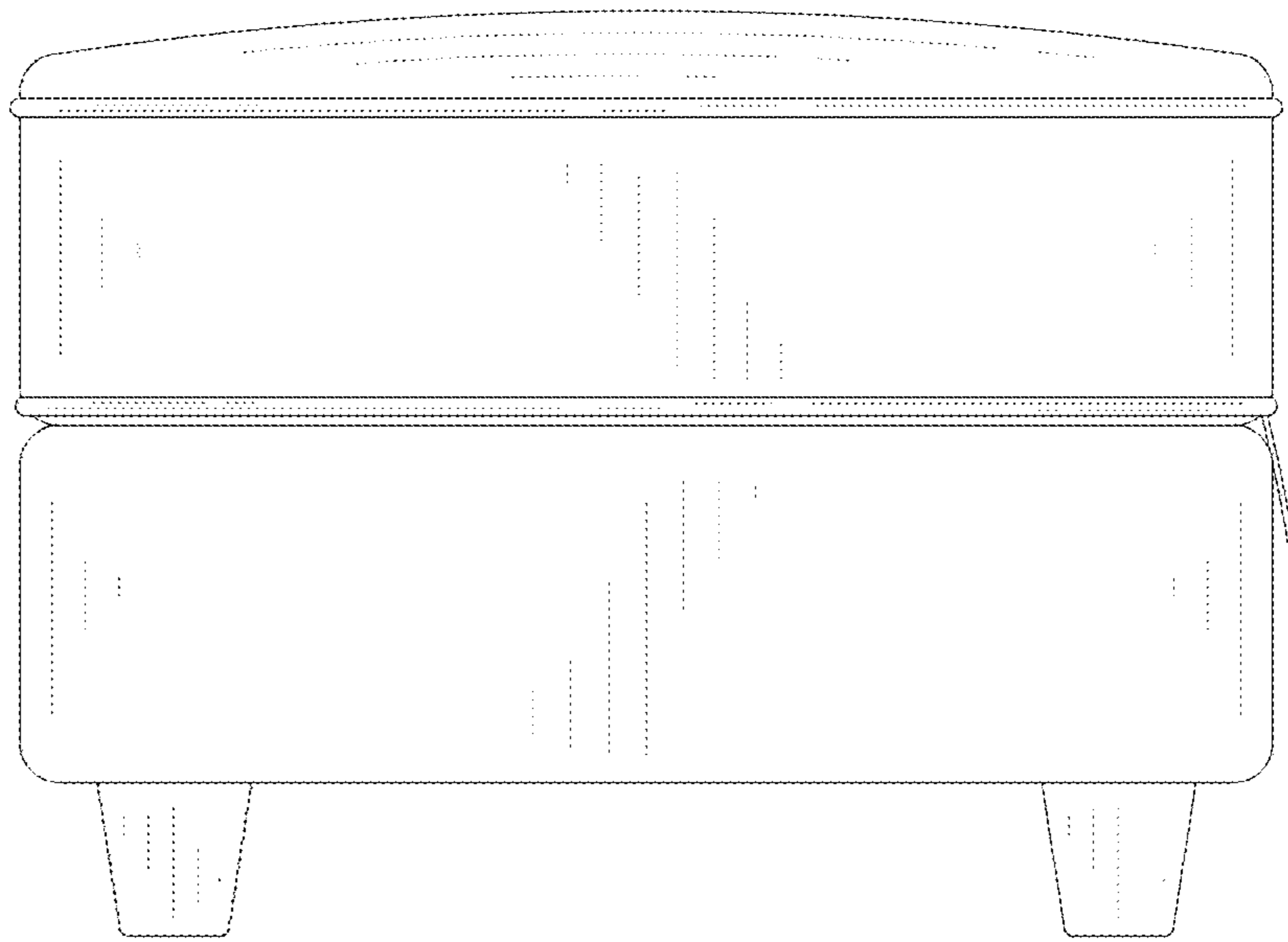


FIG. 23

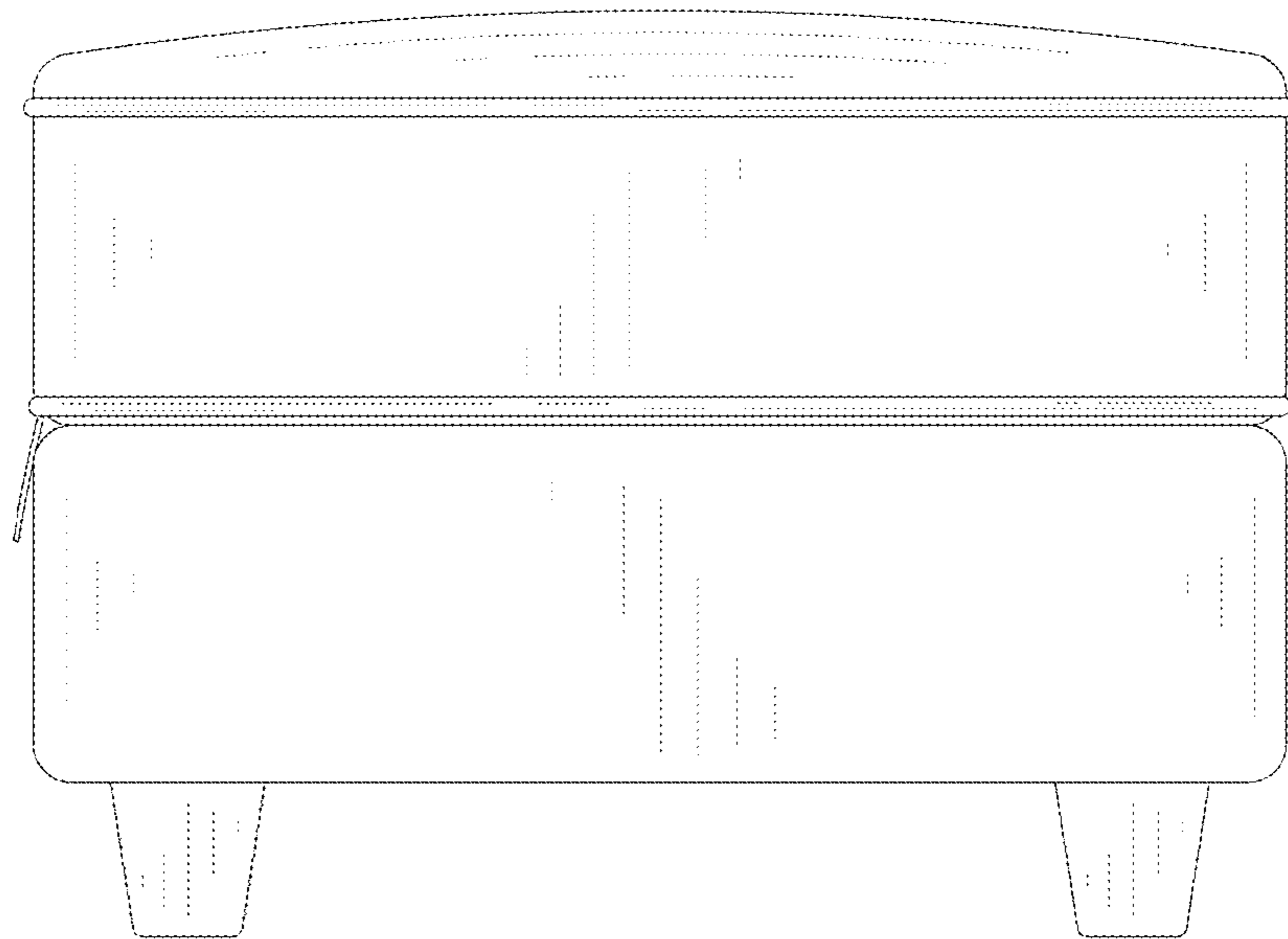


FIG.24

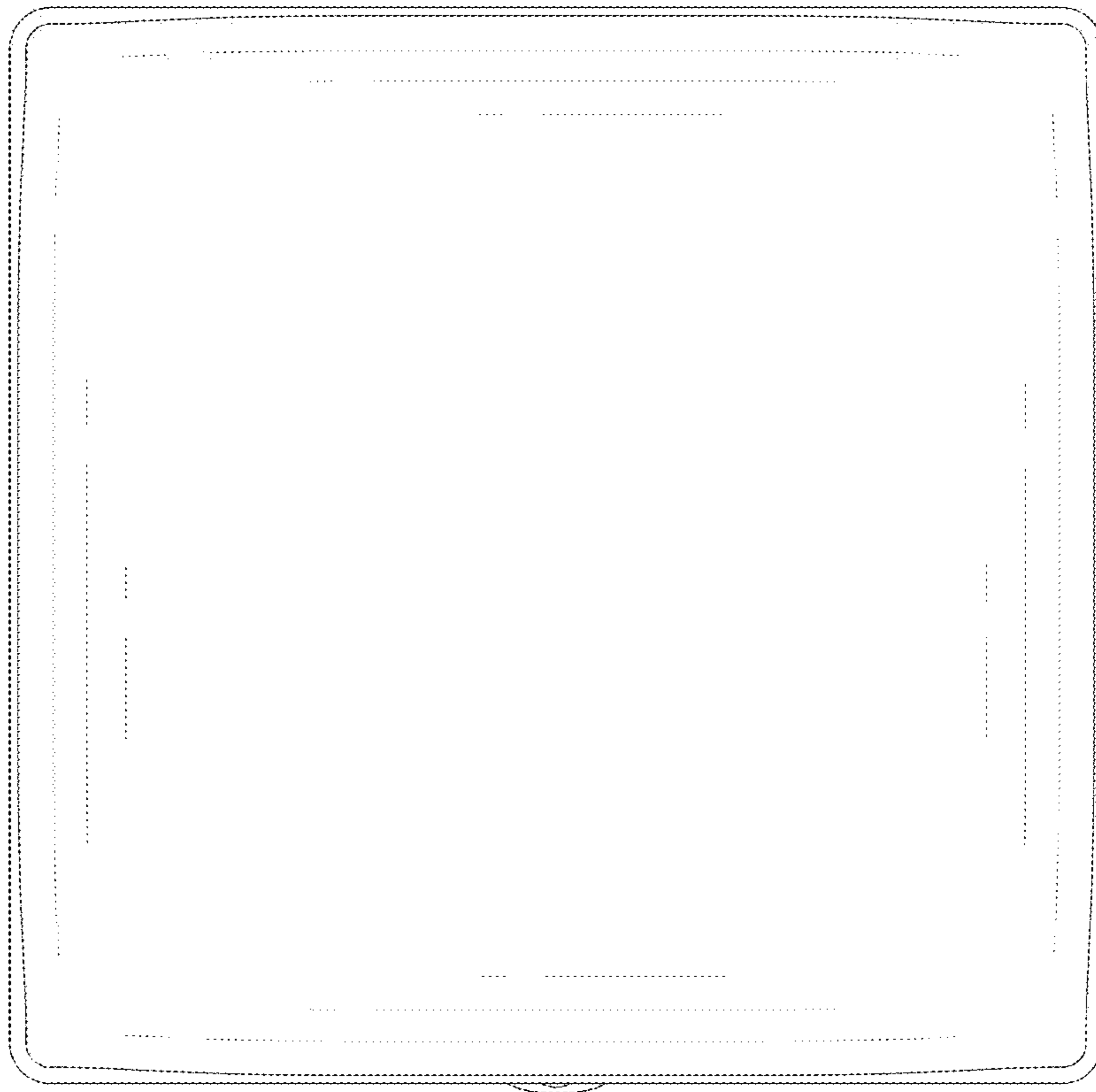


FIG. 25

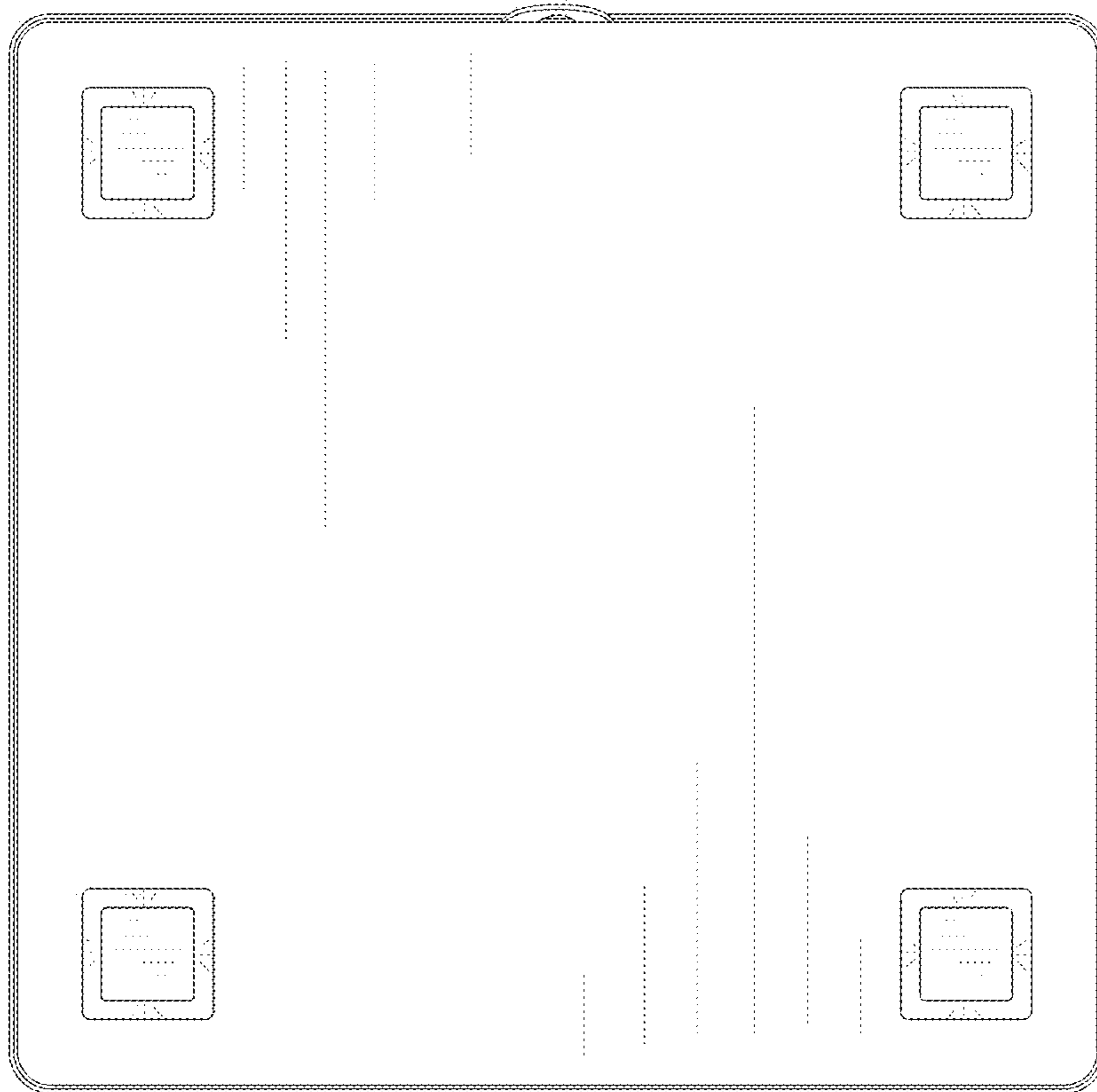


FIG. 26