



US00D951663S

(12) **United States Design Patent**
Ning

(10) **Patent No.:** **US D951,663 S**

(45) **Date of Patent:** **** May 17, 2022**

(54) **ROCKING CHAIR**

(71) Applicant: **Wonderland Switzerland AG,**
Steinhausen (CH)

(72) Inventor: **Huan Ning,** Guangdong (CN)

(73) Assignee: **WONDERLAND SWITZERLAND**
AG, Steinhausen (CH)

(**) Term: **15 Years**

(21) Appl. No.: **29/742,224**

(22) Filed: **May 26, 2020**

(30) **Foreign Application Priority Data**

Dec. 7, 2019 (CN) 201930687729.4

(51) **LOC (13) Cl.** **06-01**

(52) **U.S. Cl.**
USPC **D6/333**

(58) **Field of Classification Search**

USPC D6/333, 334, 344, 348, 349, 350, 355,
D6/360, 361, 364, 366, 367, 369, 370,
D6/374, 375, 379, 380, 381, 716, 716.4
CPC A47C 1/02; A47C 1/022; A47C 1/024;
A47C 1/032; A47C 1/03255; A47C 1/11;
A47C 1/143; A47C 3/18; A47C 3/02;
A47C 3/025; A47C 3/026; A47C 7/002;
A47C 7/004; A47C 7/18; A47C 7/185;
A47C 7/36; A47C 7/46; A47C 9/007;
A47C 11/00; A47C 11/005

See application file for complete search history.

(56) **References Cited**

U.S. PATENT DOCUMENTS

D440,412 S * 4/2001 Huang D6/333
6,361,106 B1 * 3/2002 Huang A47D 13/107
297/16.1

D691,381 S * 10/2013 Kittilsen D6/344
D702,052 S * 4/2014 Wiegmann D6/344
D737,061 S * 8/2015 Daley D6/344
D737,584 S * 9/2015 Marcuello D6/333
D824,182 S * 7/2018 Williams D6/333
D863,794 S * 10/2019 Holleis A47D 13/10
D6/333
D897,122 S * 9/2020 Descamps D6/344
2009/0085389 A1 * 4/2009 Jacobs A47D 13/10
297/311

FOREIGN PATENT DOCUMENTS

JP 2003116680 A * 4/2003
JP 2007159709 A * 6/2007 A47D 13/107

* cited by examiner

Primary Examiner — R. Johnson

(74) *Attorney, Agent, or Firm* — Bacon & Thomas, PLLC

(57) **CLAIM**

The ornamental design for a rocking chair, as shown and described.

DESCRIPTION

FIG. 1 is a perspective view of a rocking chair showing my new design;

FIG. 2 is a front view of FIG. 1;

FIG. 3 is a rear view of FIG. 1;

FIG. 4 is a left side view of FIG. 1;

FIG. 5 is a right side view of FIG. 1;

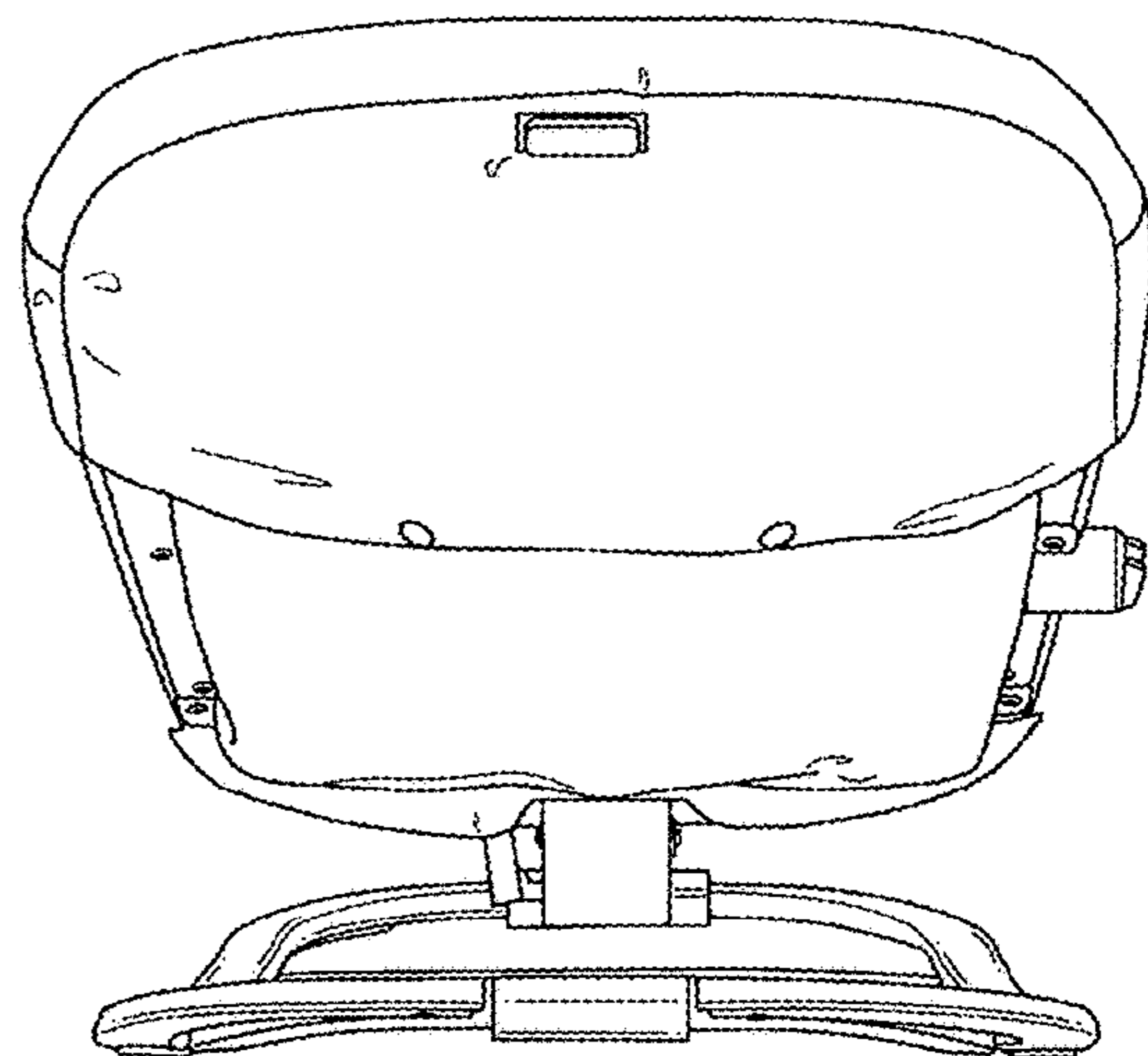
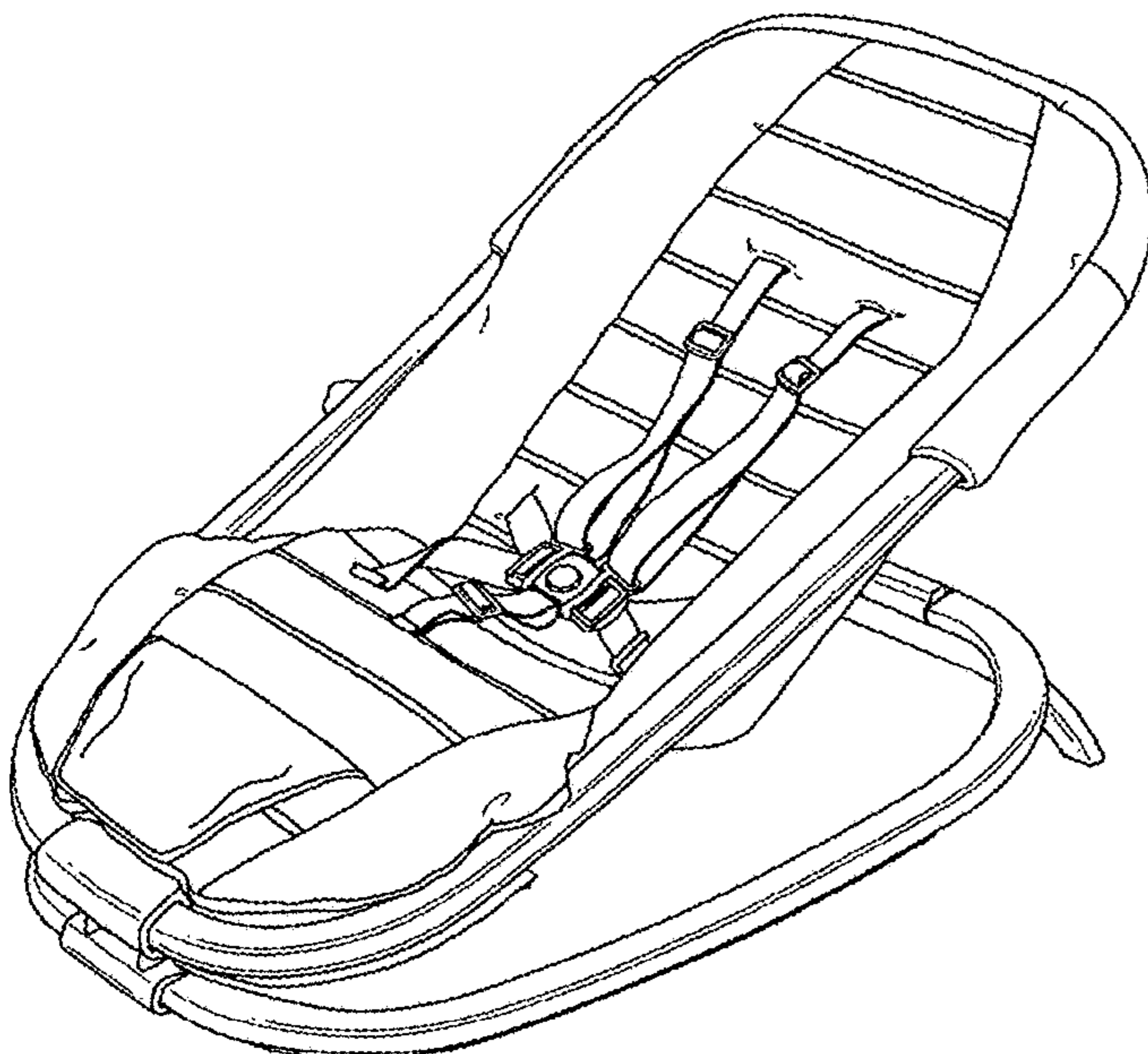
FIG. 6 is a top view of FIG. 1;

FIG. 7 is a bottom view of FIG. 1; and,

FIG. 8 is a view showing the rocking chair shown in FIG. 1 in use.

The broken lines in FIG. 8 are shown for illustrative purposes only and do not form a part of the claimed design.

1 Claim, 6 Drawing Sheets



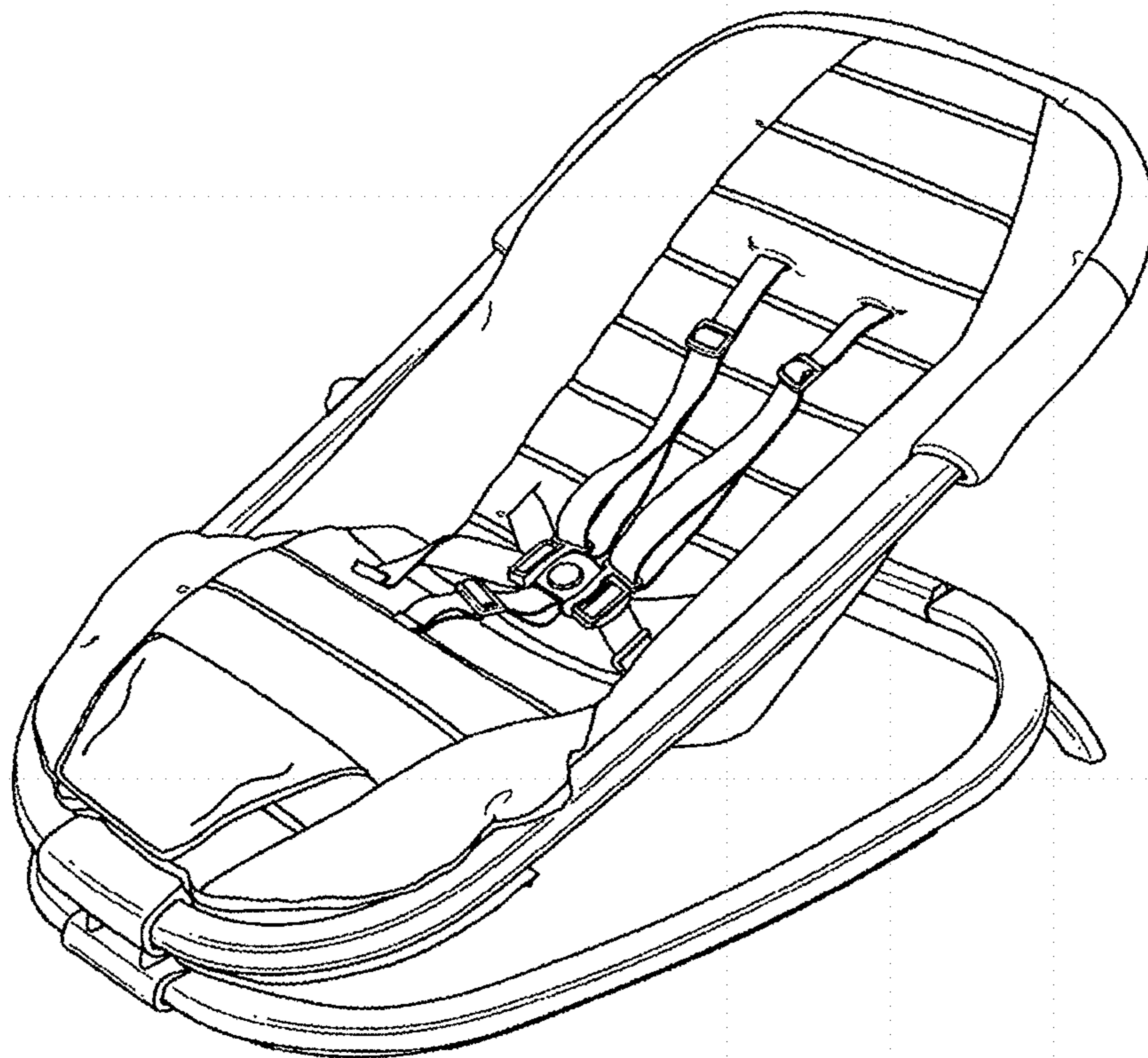


FIG. 1

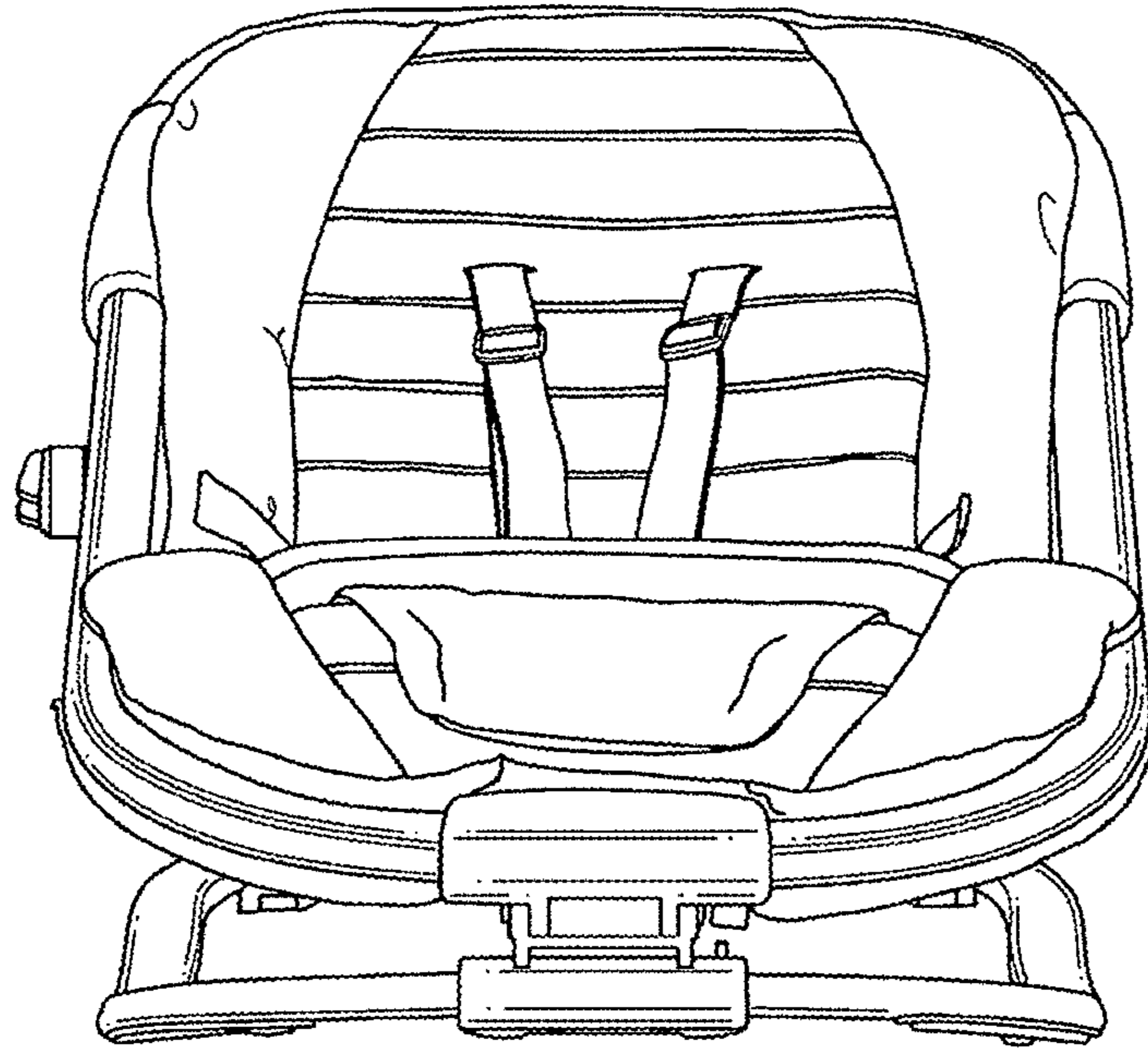


FIG. 2

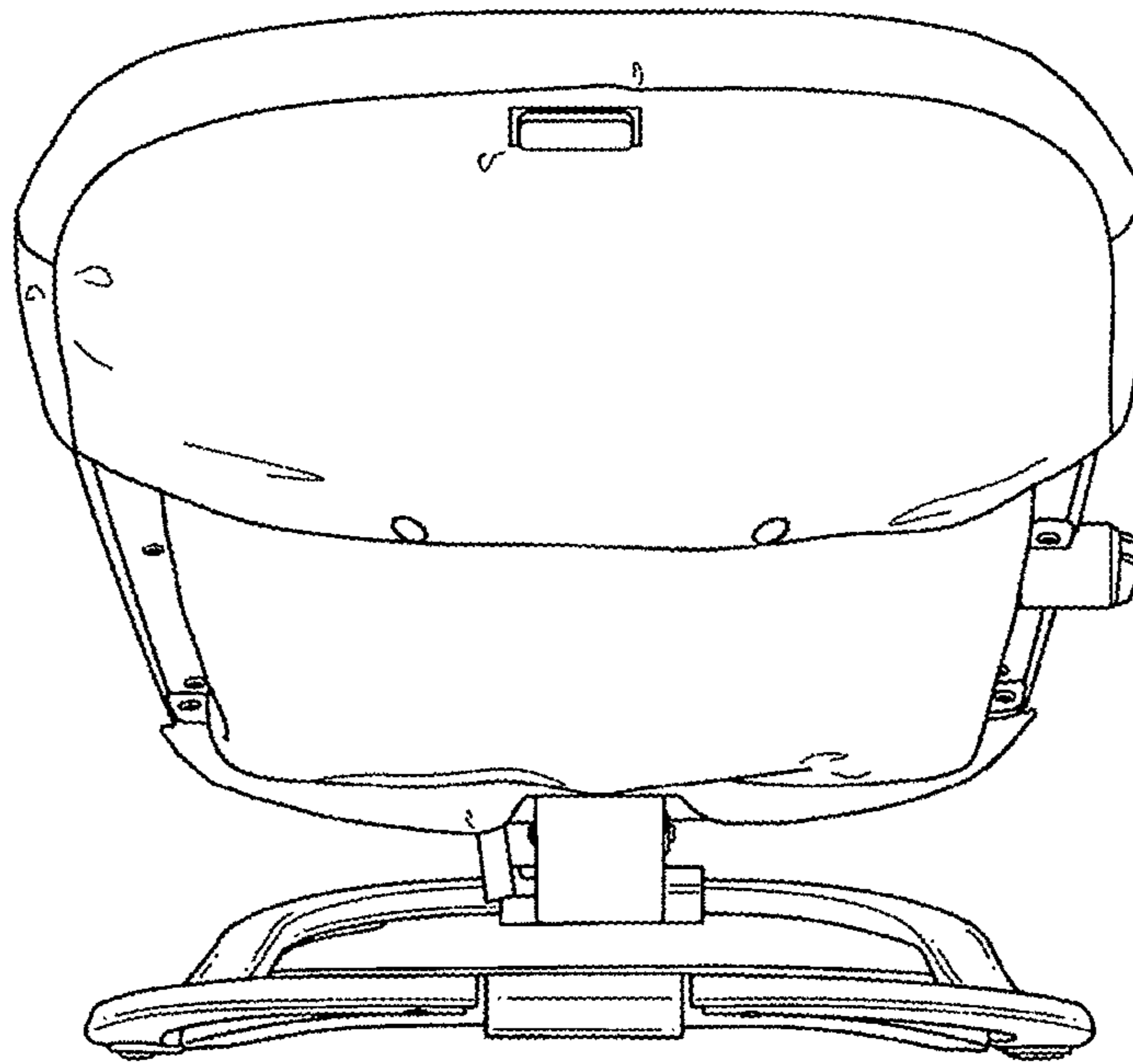


FIG. 3

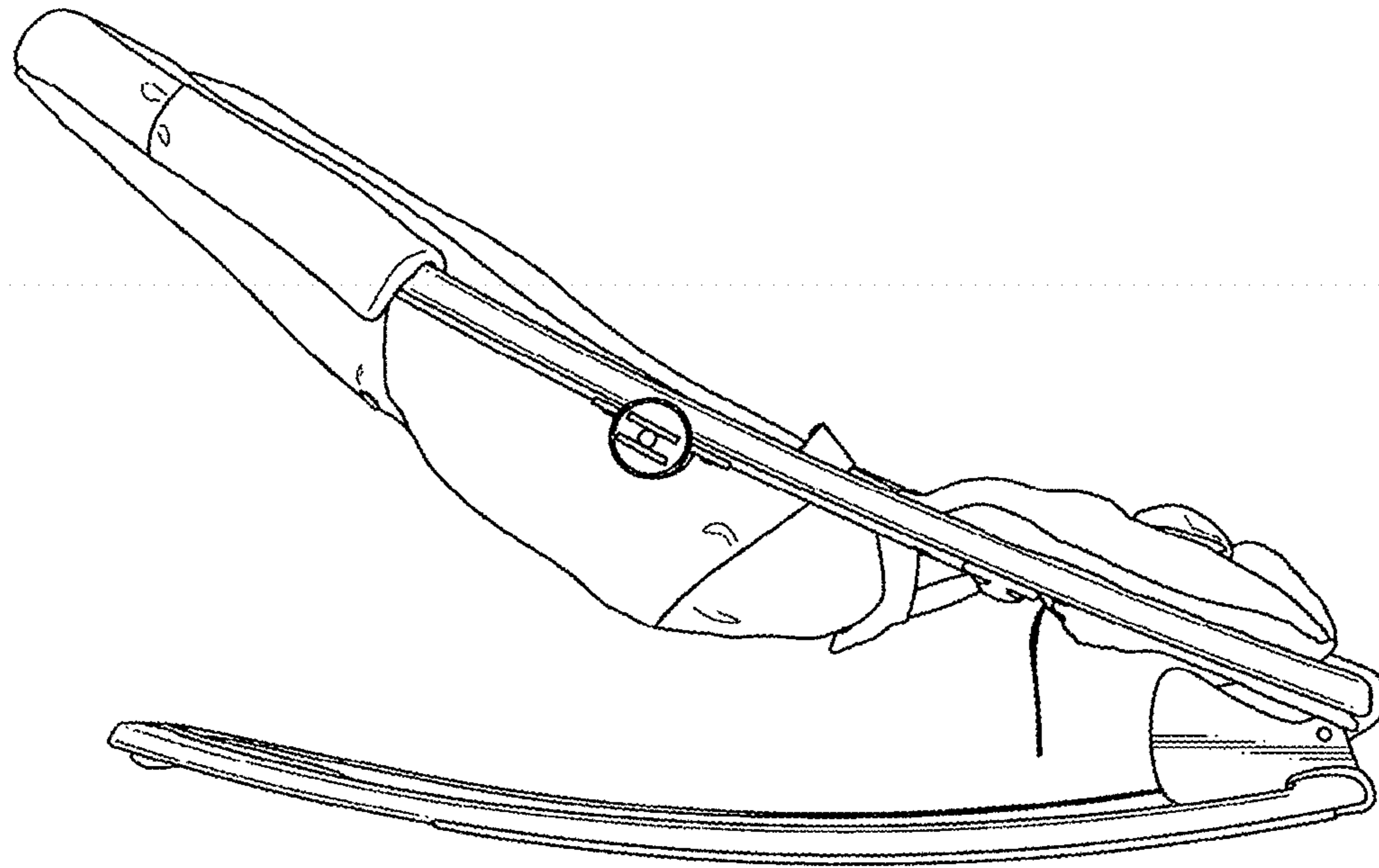


FIG. 4

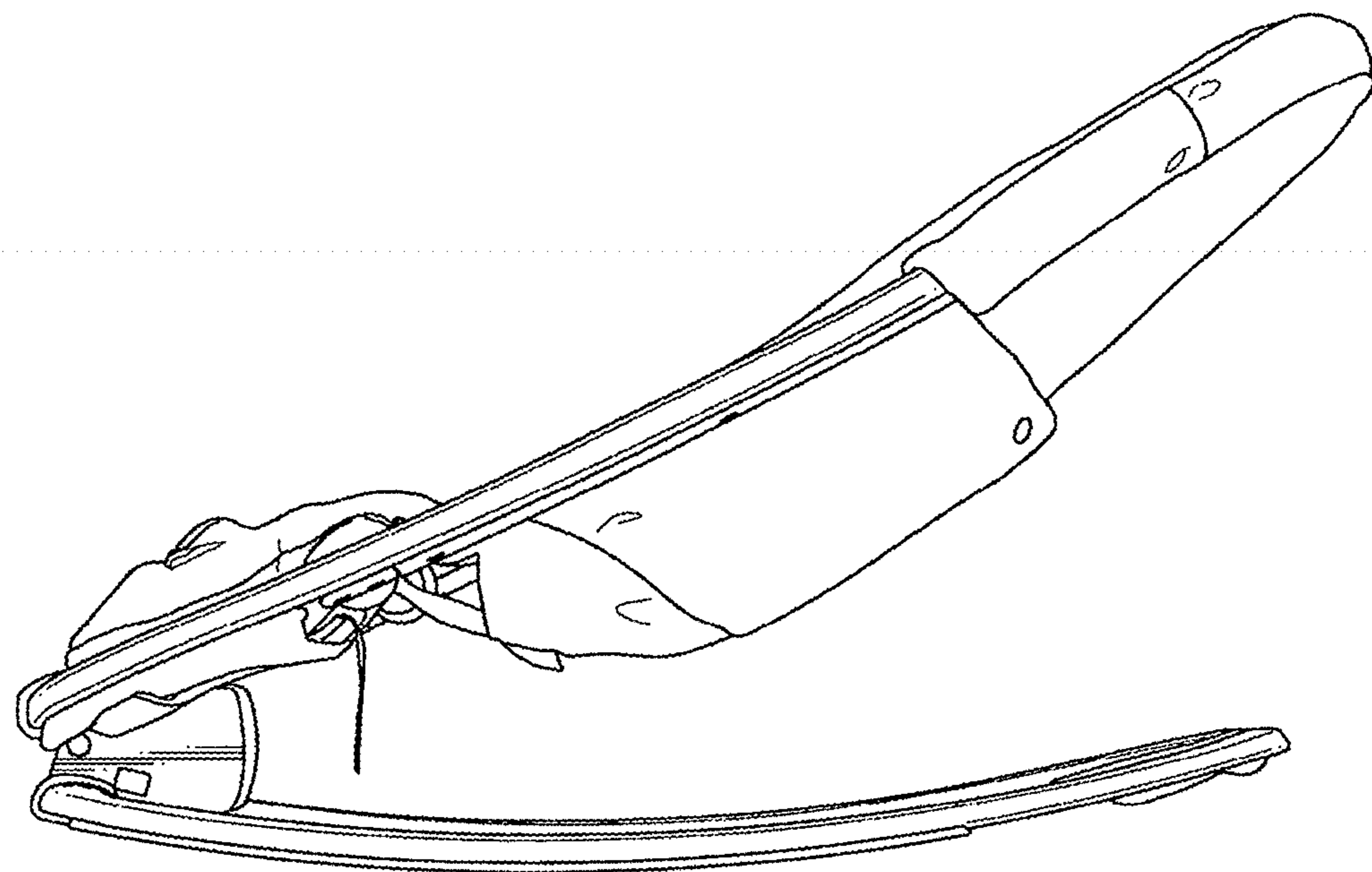


FIG. 5

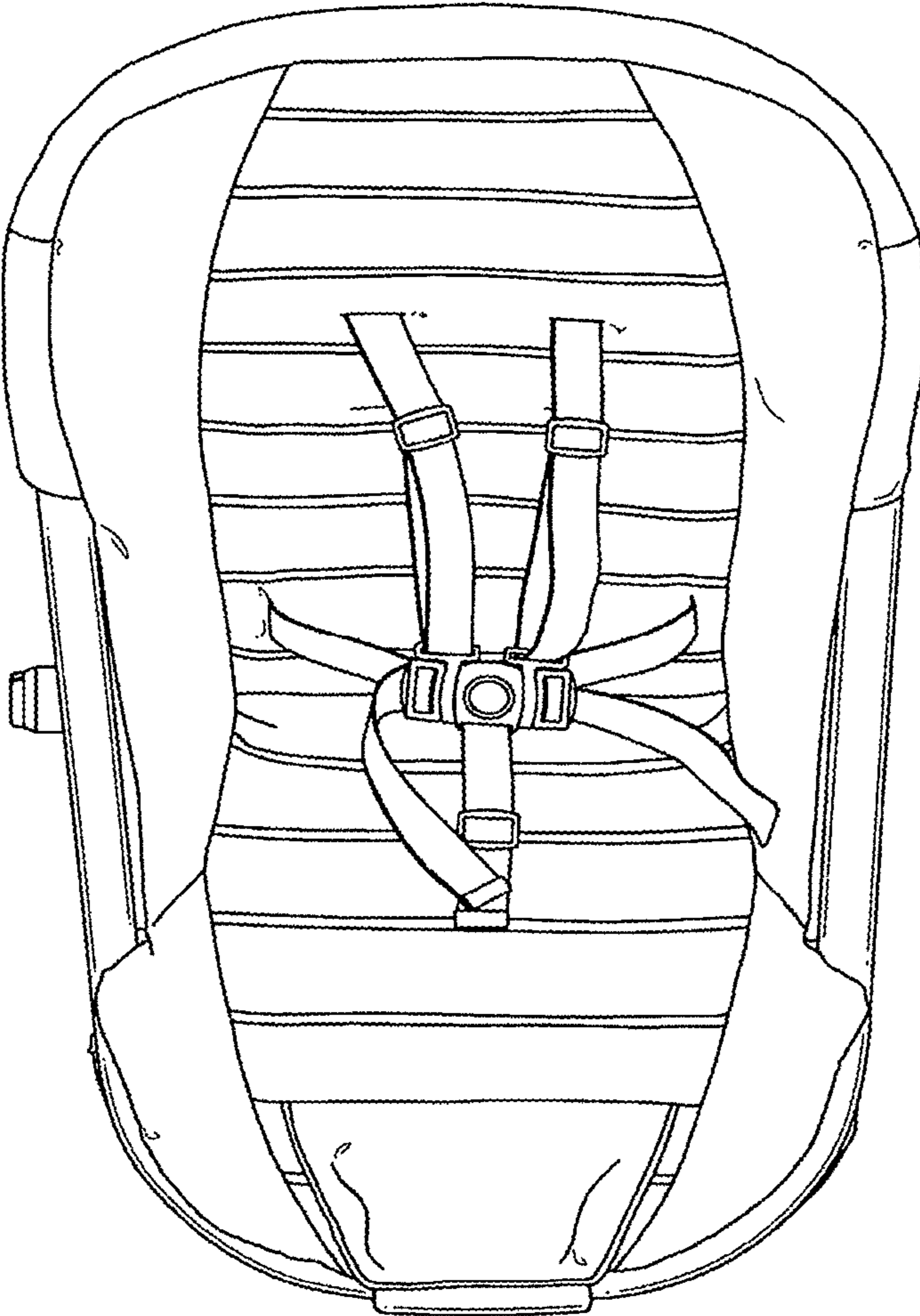


FIG. 6

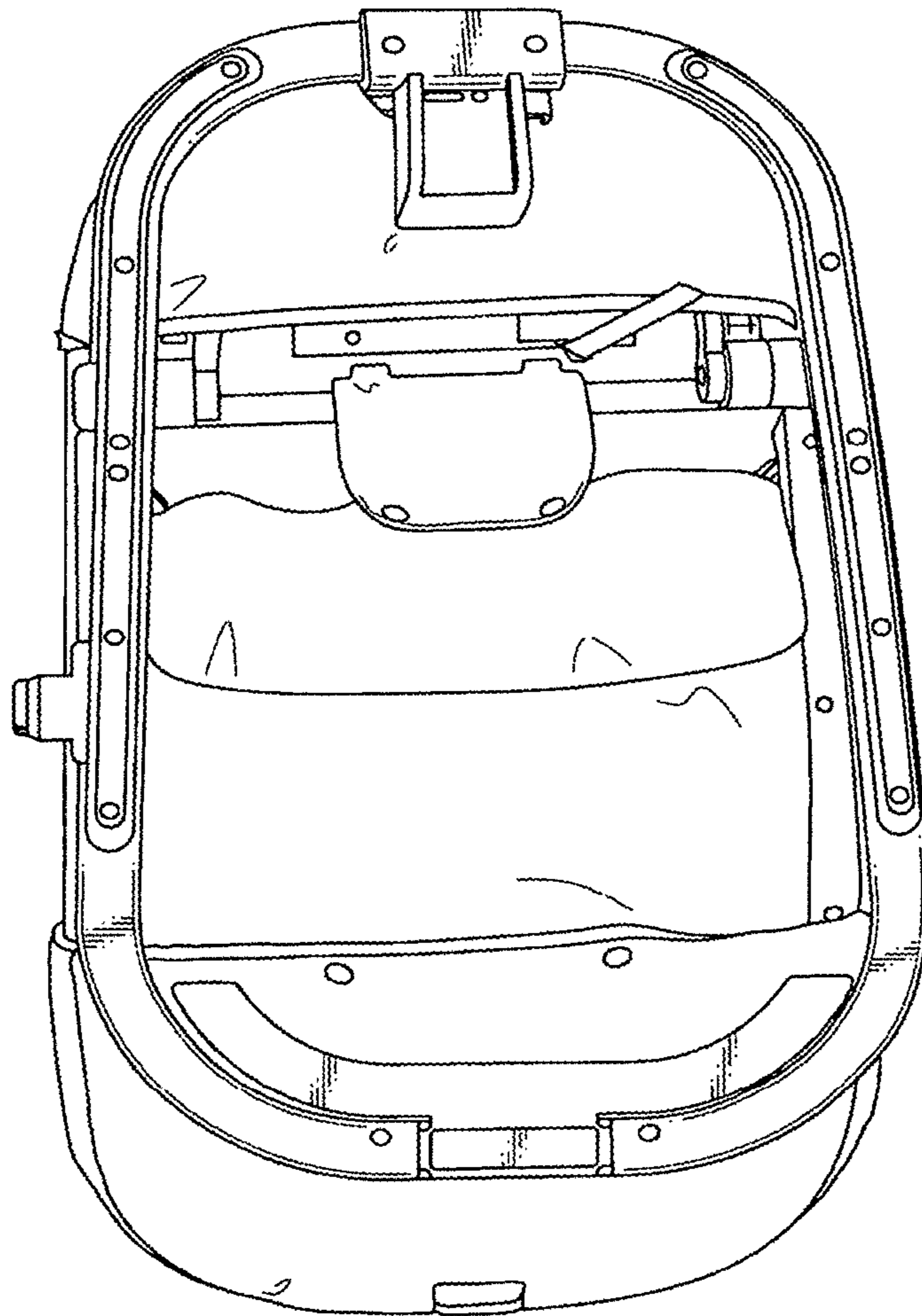


FIG. 7

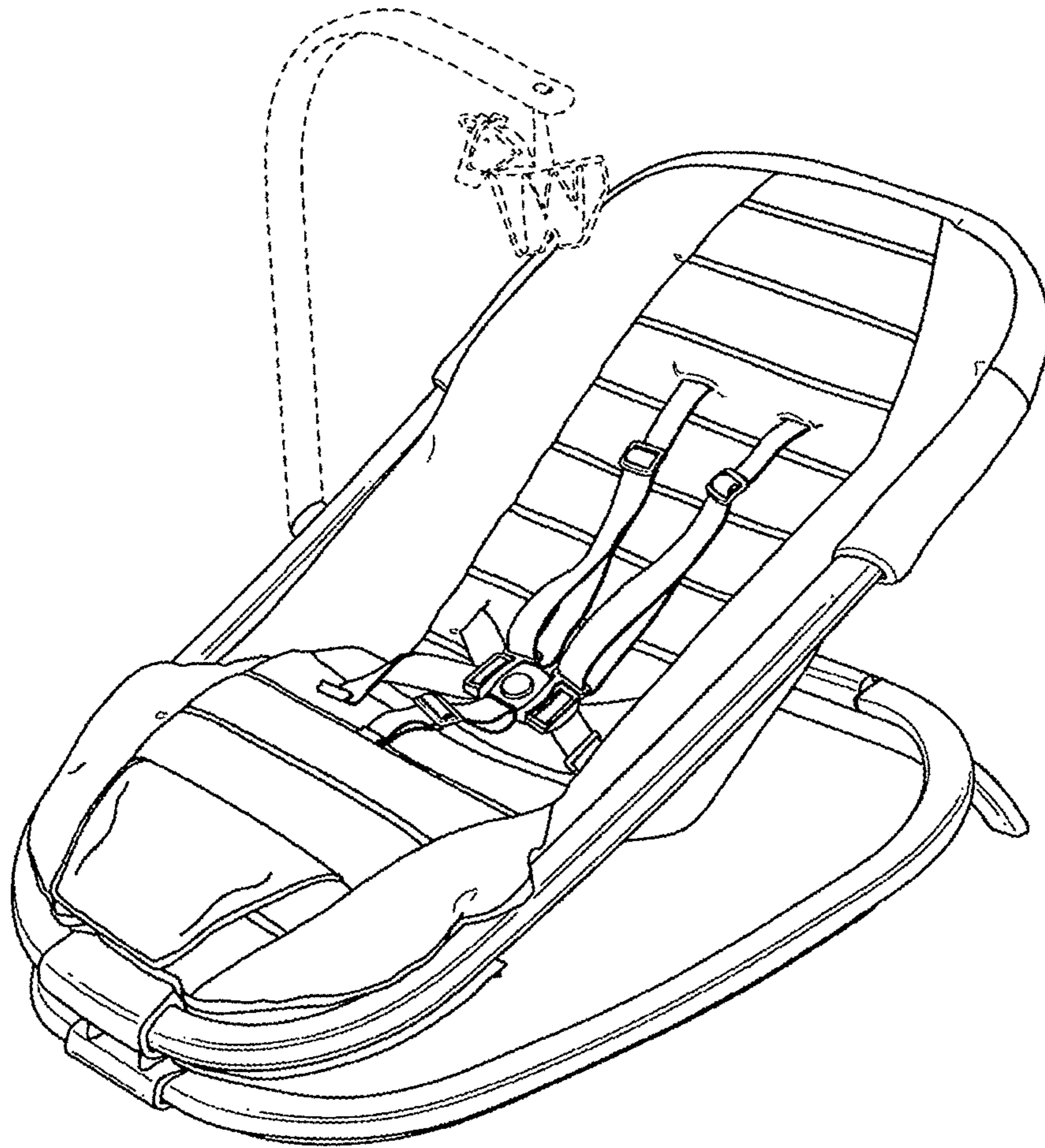


FIG. 8