



US00D951660S

(12) **United States Design Patent** (10) **Patent No.:** **US D951,660 S**
Li et al. (45) **Date of Patent:** **** May 17, 2022**

(54) **MAKEUP MIRROR**
(71) Applicant: **SHENZHEN YISIDAO TECHNOLOGY CO., LTD.**, Shenzhen (CN)

D886,469 S 6/2020 Liu
D895,986 S * 9/2020 Yang D6/312
D897,696 S * 10/2020 Zhou D6/310
D897,697 S * 10/2020 Liu D6/310
D907,375 S * 1/2021 Liang D6/312
D935,792 S * 11/2021 Li D6/310
D942,762 S * 2/2022 Zhu D6/310

(72) Inventors: **Jun Li**, Shenzhen (CN); **Feng Li**, Shenzhen (CN)

FOREIGN PATENT DOCUMENTS

(73) Assignee: **SHENZHEN YISIDAO TECHNOLOGY CO., LTD.**, Shenzhen (CN)

EM 006592937-001 * 7/2019

* cited by examiner

(**) Term: **15 Years**

Primary Examiner — Deanna L Pratt

(21) Appl. No.: **29/794,742**

(57) **CLAIM**

The ornamental design for a makeup mirror, as shown and described.

(22) Filed: **Jun. 15, 2021**

(51) **LOC (13) Cl.** **06-07**

(52) **U.S. Cl.**

USPC **D6/310**

(58) **Field of Classification Search**

USPC D6/300-314

CPC .. A47G 1/00; A47G 2001/002; F21V 33/004;

A45D 42/10

See application file for complete search history.

DESCRIPTION

FIG. 1 is a front, left and bottom perspective view of a makeup mirror showing my new design;
FIG. 2 is a right, rear and bottom perspective view thereof;
FIG. 3 is a front view thereof;
FIG. 4 is a rear view thereof;
FIG. 5 is a right side view thereof;
FIG. 6 is a left side view thereof;
FIG. 7 is a top plan view thereof; and,
FIG. 8 is a bottom plan view thereof.
The broken lines in the figures illustrate portions of the makeup mirror that form no part of the claimed design.

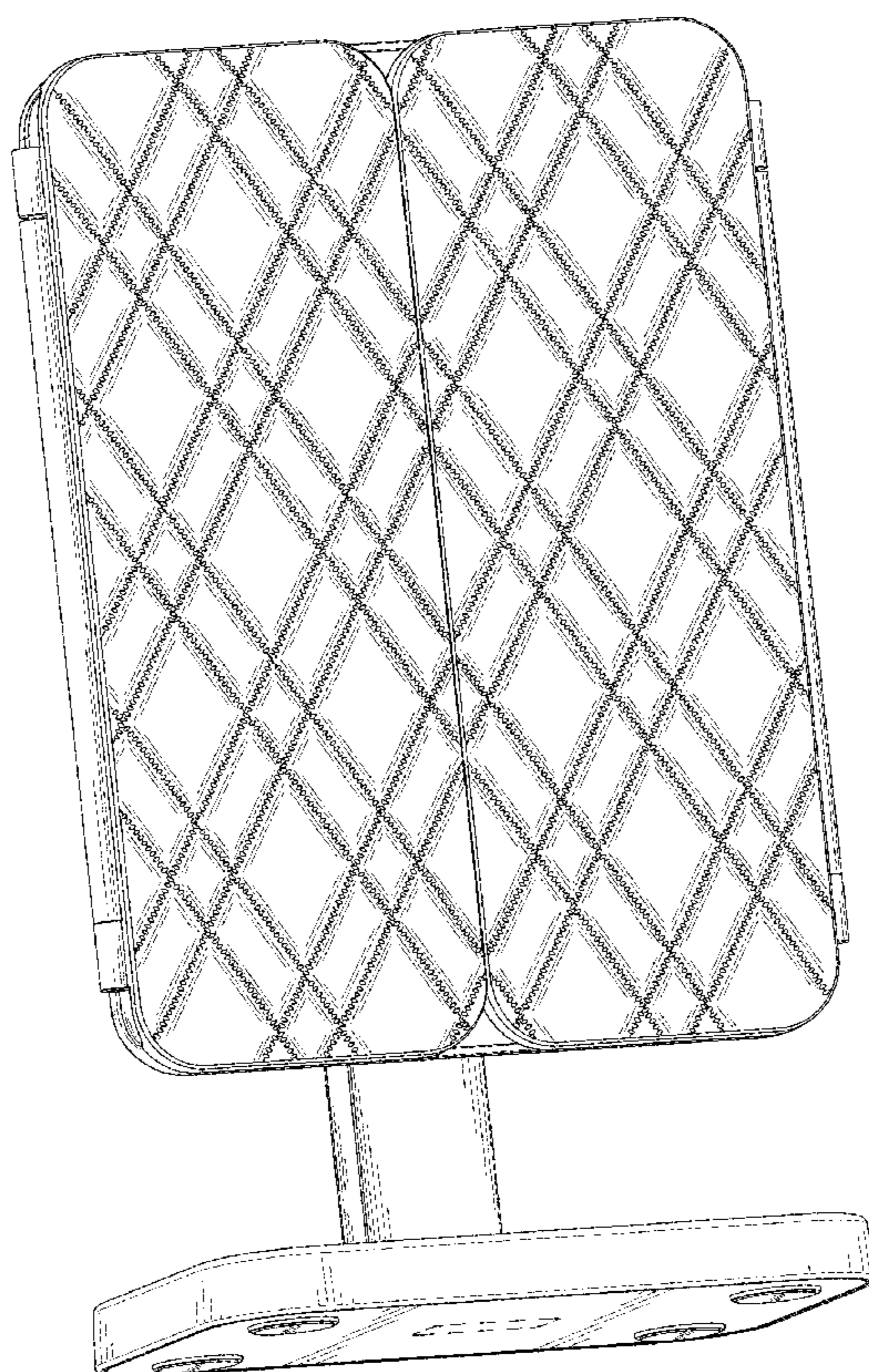
(56) **References Cited**

U.S. PATENT DOCUMENTS

D765,996 S * 9/2016 Dolar A47G 1/02
D6/312

D874,836 S 2/2020 Li et al.

1 Claim, 8 Drawing Sheets



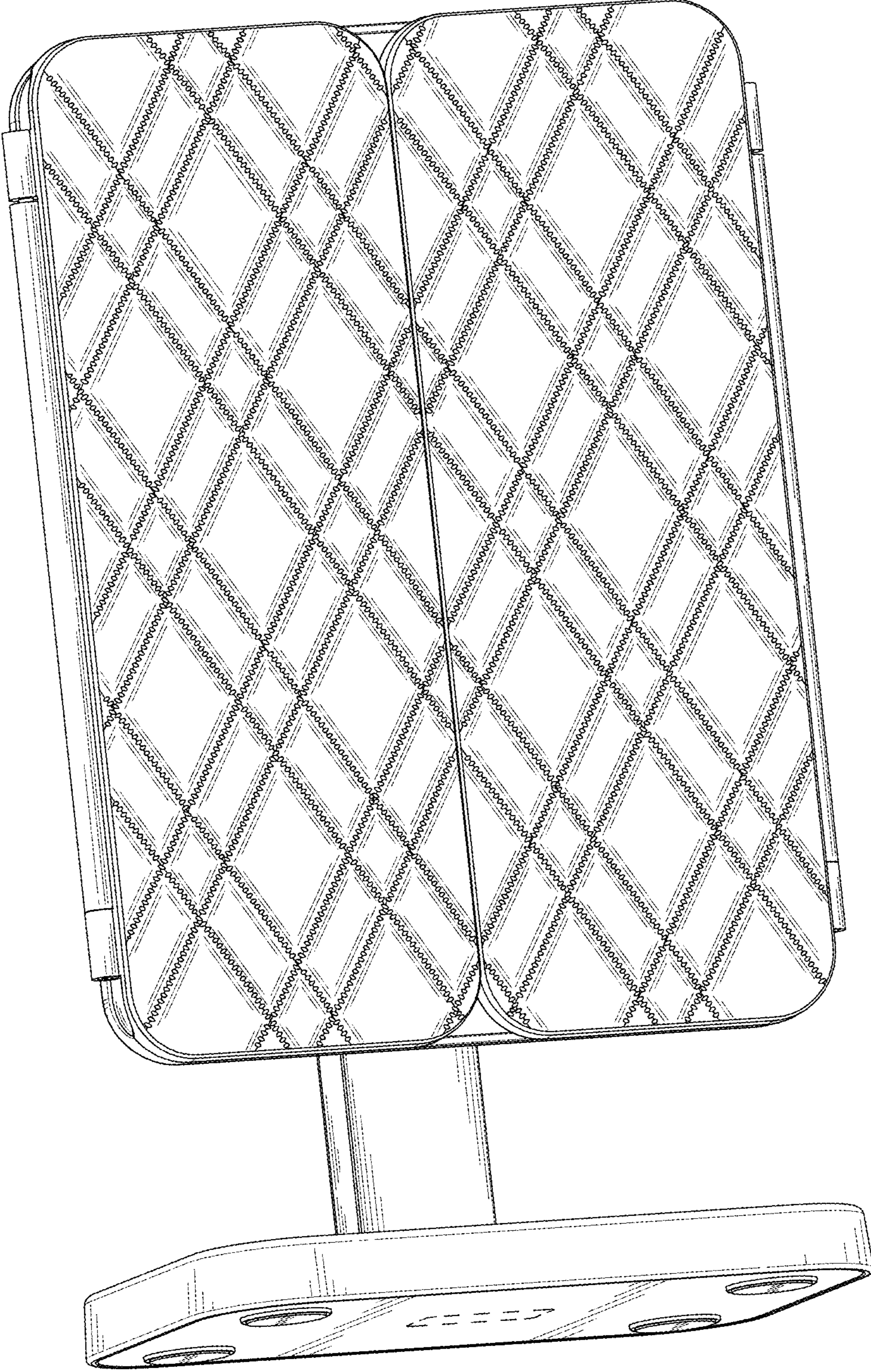


FIG. 1

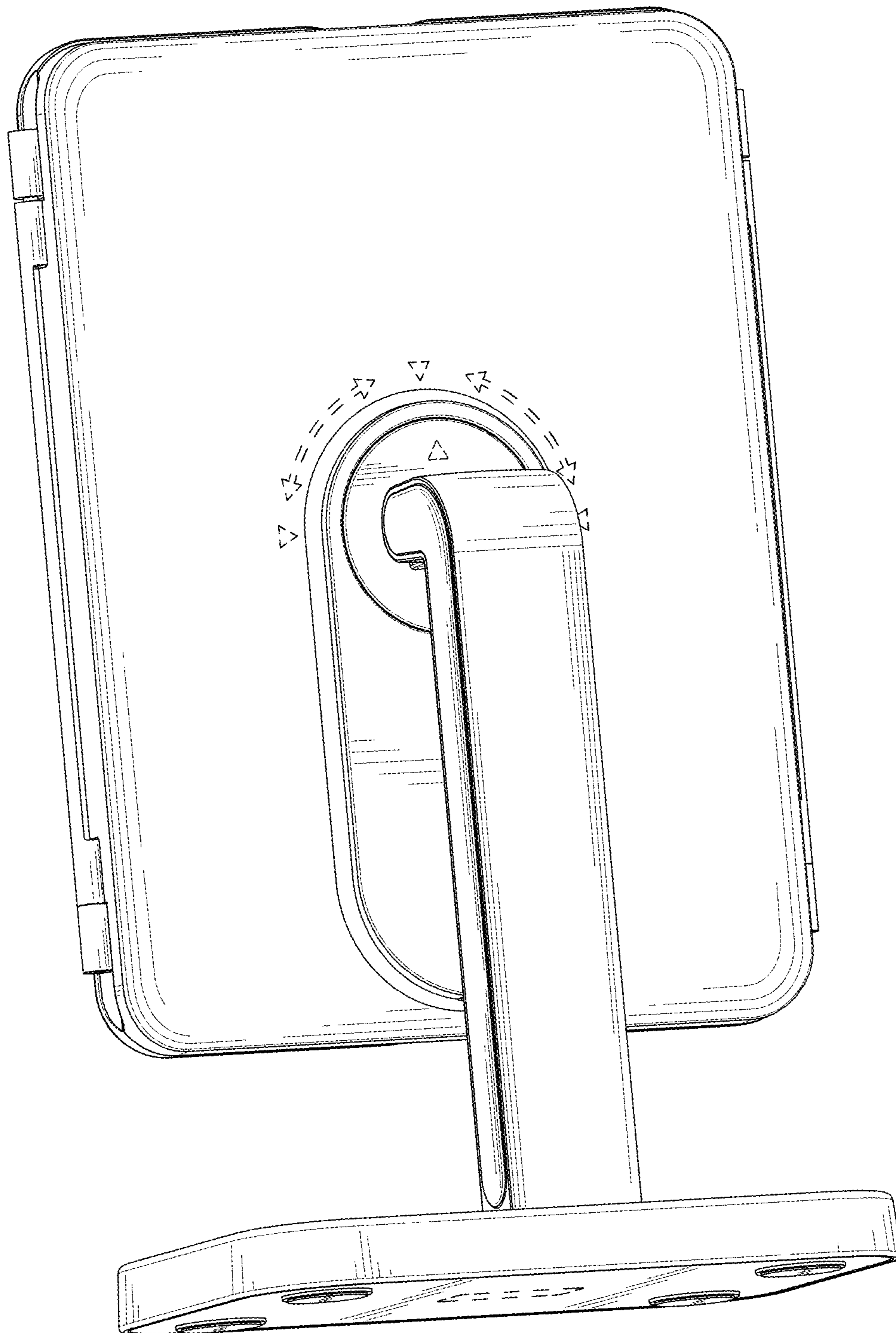


FIG. 2

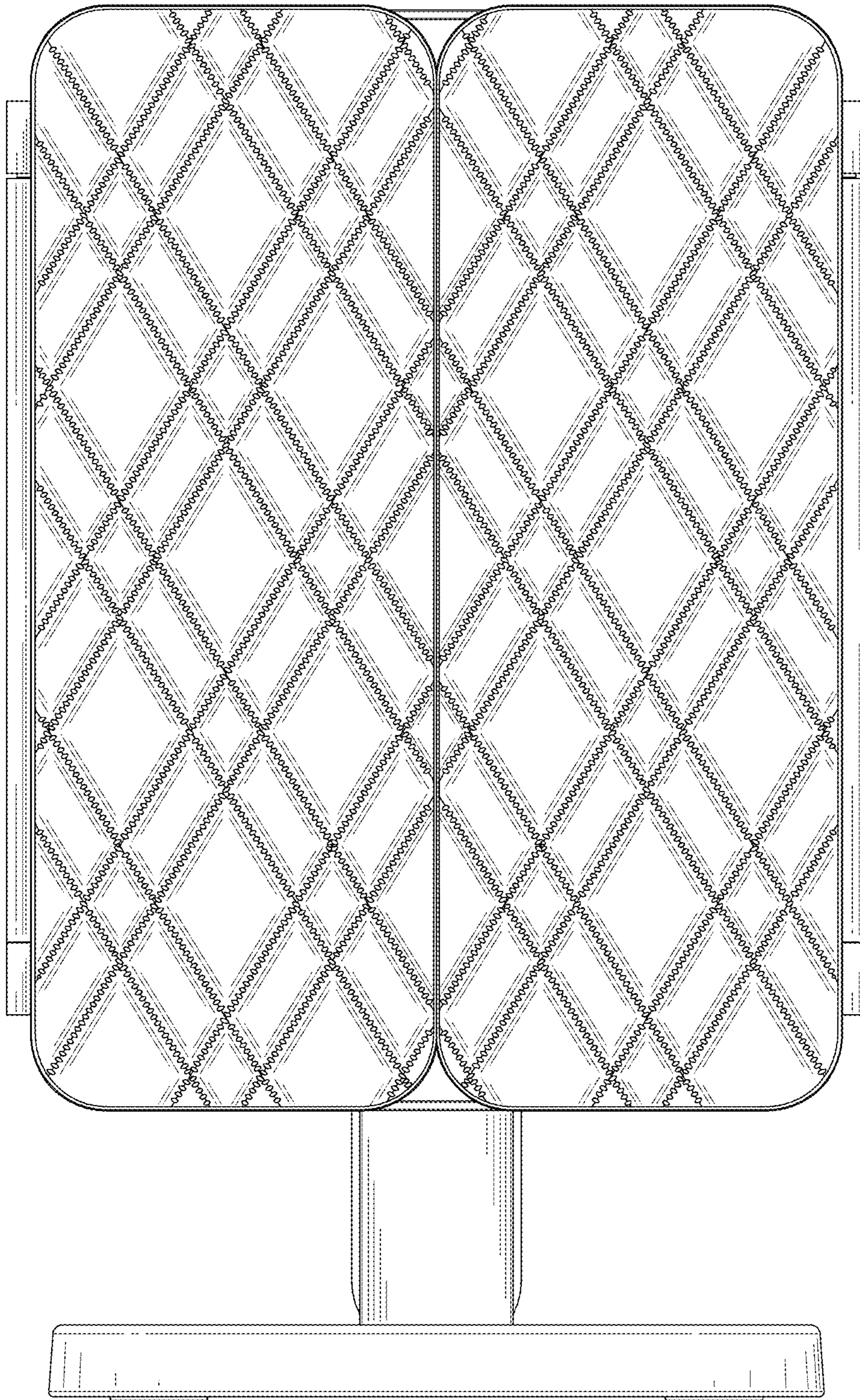


FIG. 3

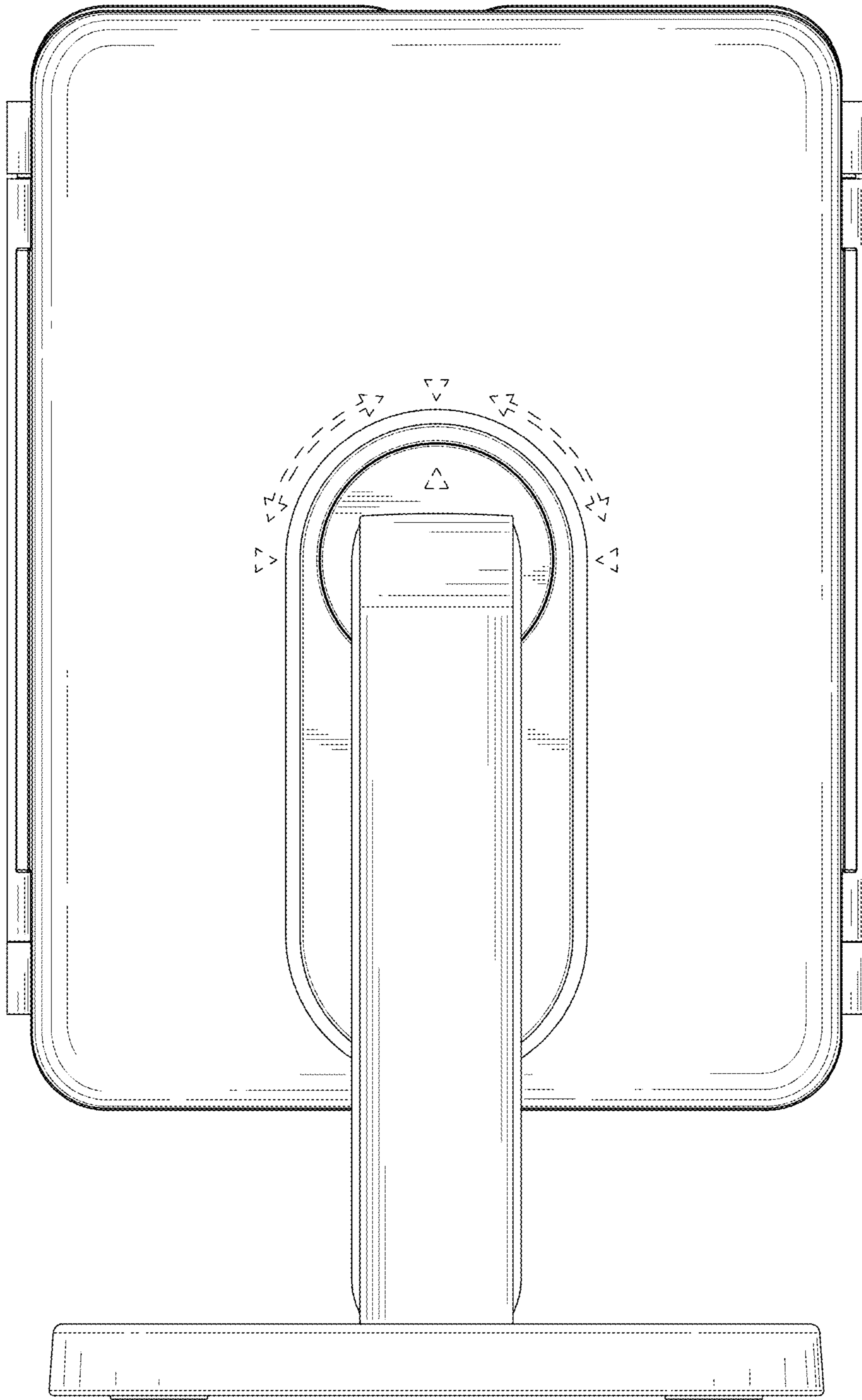


FIG. 4

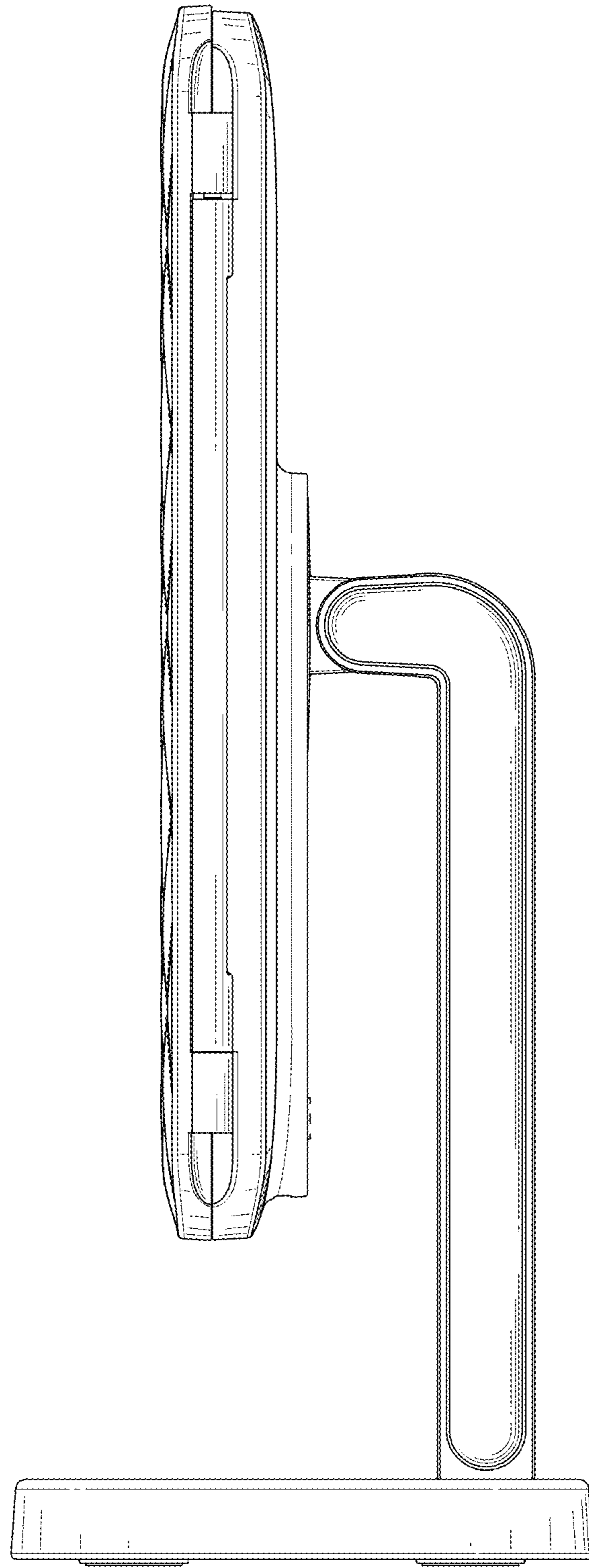


FIG. 5

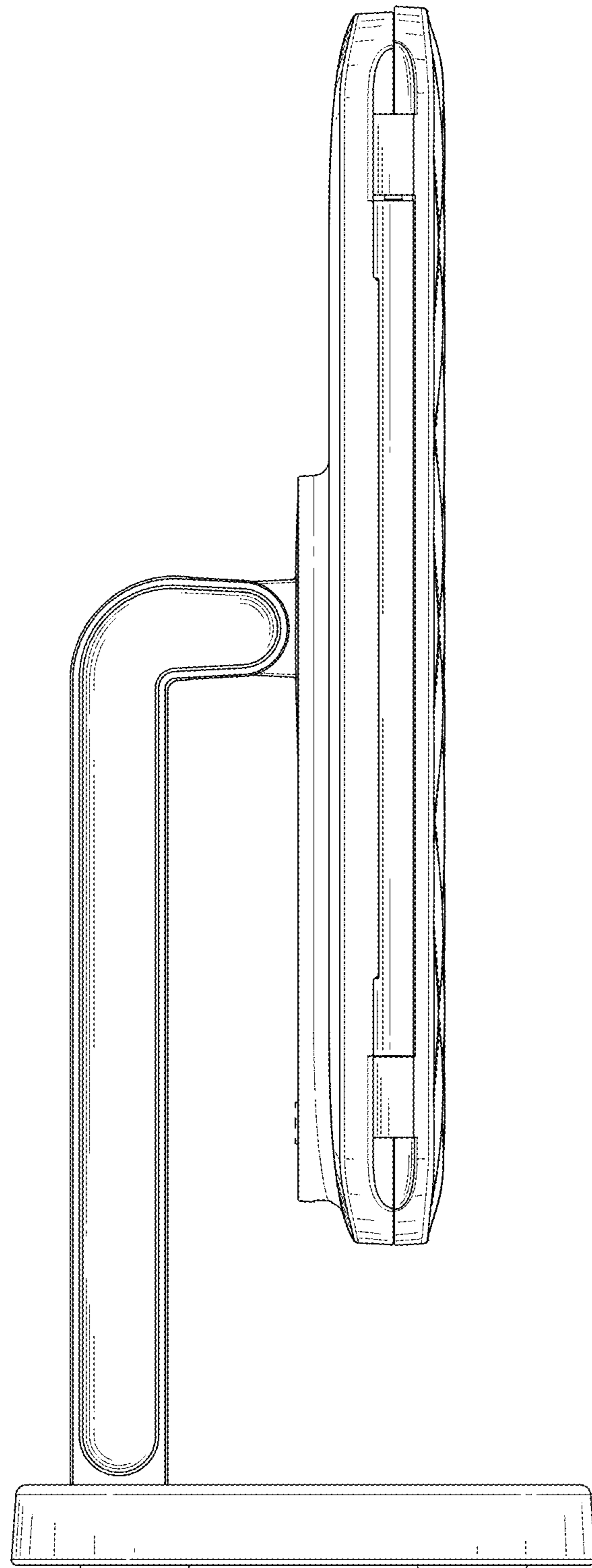


FIG. 6

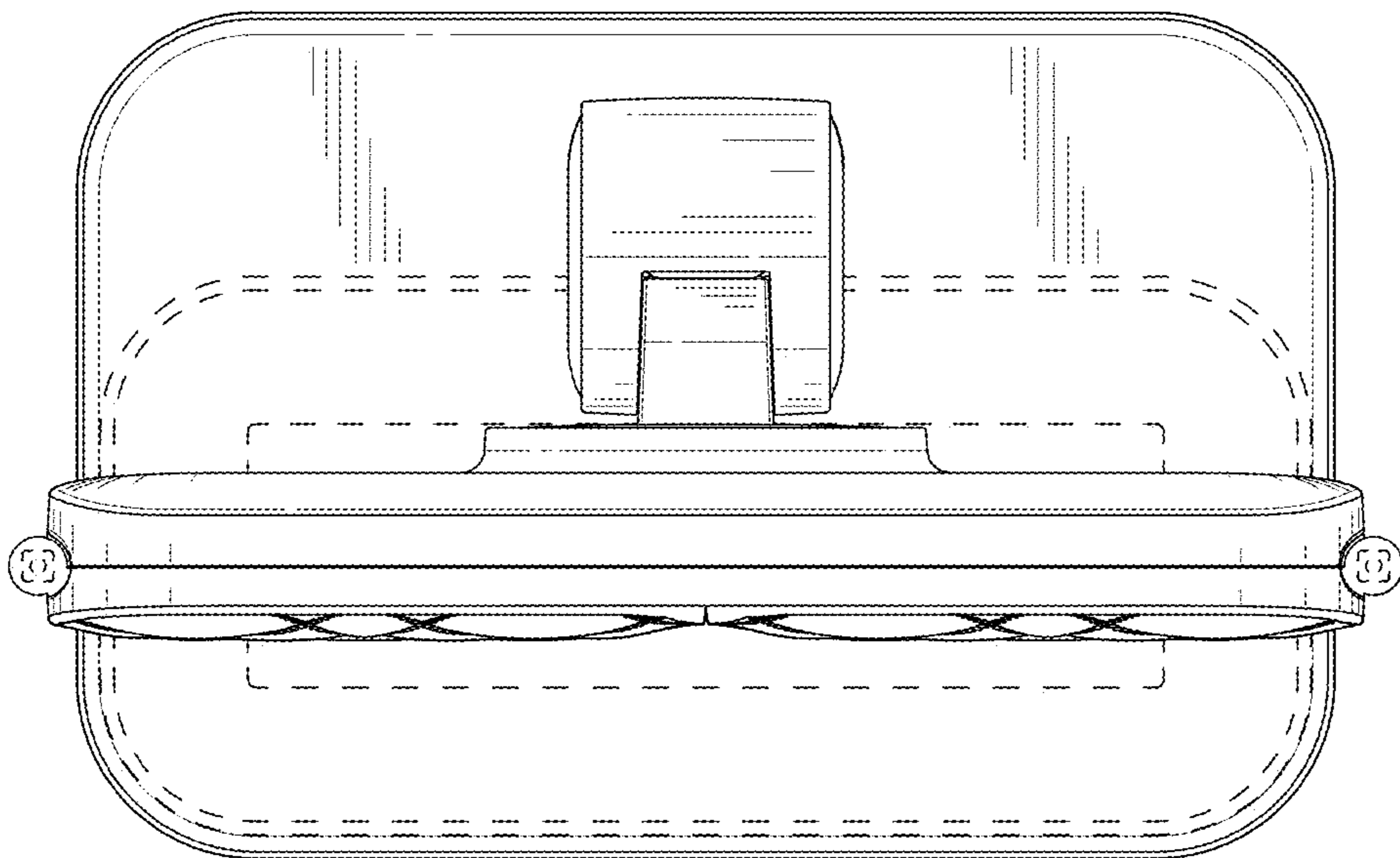


FIG. 7

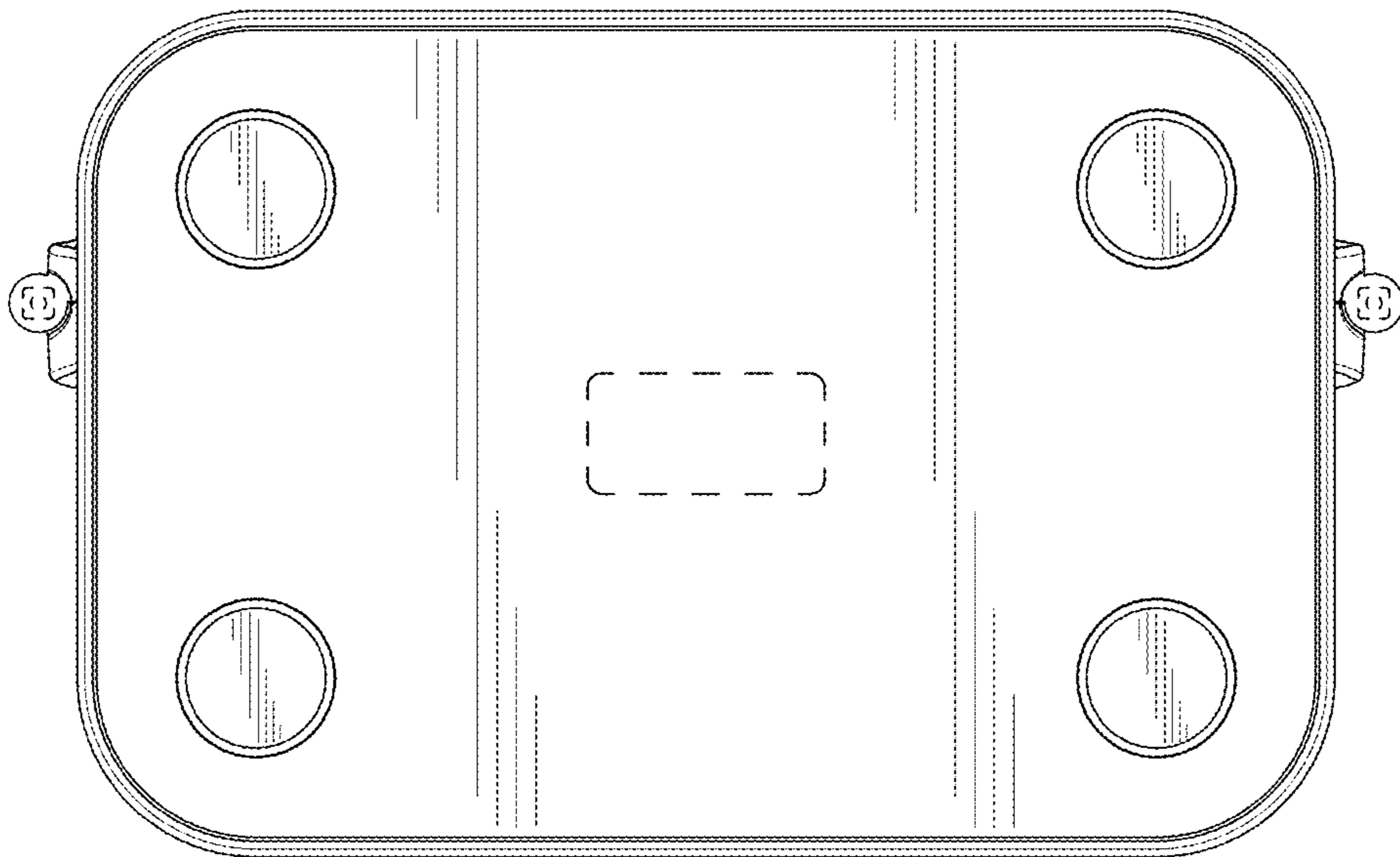


FIG. 8