



US00D951653S

(12) **United States Design Patent**  
**Mazur**

(10) **Patent No.:** **US D951,653 S**

(45) **Date of Patent:** **\*\* May 17, 2022**

(54) **PAINT ROLLER**

(71) Applicant: **Wagner Spray Tech Corporation,**  
Plymouth, MN (US)

(72) Inventor: **Matthias Mazur,** Hamburg (DE)

(73) Assignee: **Wagner Spray Tech Corporation,**  
Plymouth, MN (US)

(\*\*) Term: **15 Years**

(21) Appl. No.: **29/740,962**

(22) Filed: **Jul. 8, 2020**

(51) **LOC (13) Cl.** ..... **04-01**

(52) **U.S. Cl.**  
USPC ..... **D4/122**

(58) **Field of Classification Search**  
USPC ..... D4/122, 128, 138; 15/27, 104.002,  
15/143.1, 230.11; 16/110.1, 430;  
492/13, 14, 17, 19  
CPC ..... B05C 17/0207; B29C 63/18; B29C 63/48;  
D04B 1/025  
See application file for complete search history.

(56) **References Cited**

U.S. PATENT DOCUMENTS

4,597,684 A \* 7/1986 O'Brien ..... B05C 17/0308  
15/230.11  
4,732,503 A \* 3/1988 Bader ..... B05C 17/0325  
141/2  
D331,321 S \* 12/1992 Gebaurer ..... D4/115  
5,975,782 A \* 11/1999 Lee ..... B05C 17/0325  
141/20.5

D417,552 S \* 12/1999 Snetting ..... D4/115  
6,726,389 B1 \* 4/2004 Lee ..... A46B 11/0062  
141/127  
D581,675 S \* 12/2008 Murray ..... D4/102  
7,556,447 B2 \* 7/2009 Bruggeman ..... A46B 11/0062  
401/173  
7,682,098 B2 \* 3/2010 Sandahi ..... B05C 17/0325  
401/170  
D656,737 S \* 4/2012 Crawley ..... D4/122  
D695,018 S \* 12/2013 Gallardo ..... D4/122  
D849,413 S \* 5/2019 Lambertson, Jr. .... B25G 1/102  
D4/122  
2008/0247808 A1 \* 10/2008 Costigan ..... B05C 17/035  
401/219

\* cited by examiner

*Primary Examiner* — Austin Murphy

(74) *Attorney, Agent, or Firm* — Christopher J.  
Volkman; Kelly, Holt & Christenson, PLLC

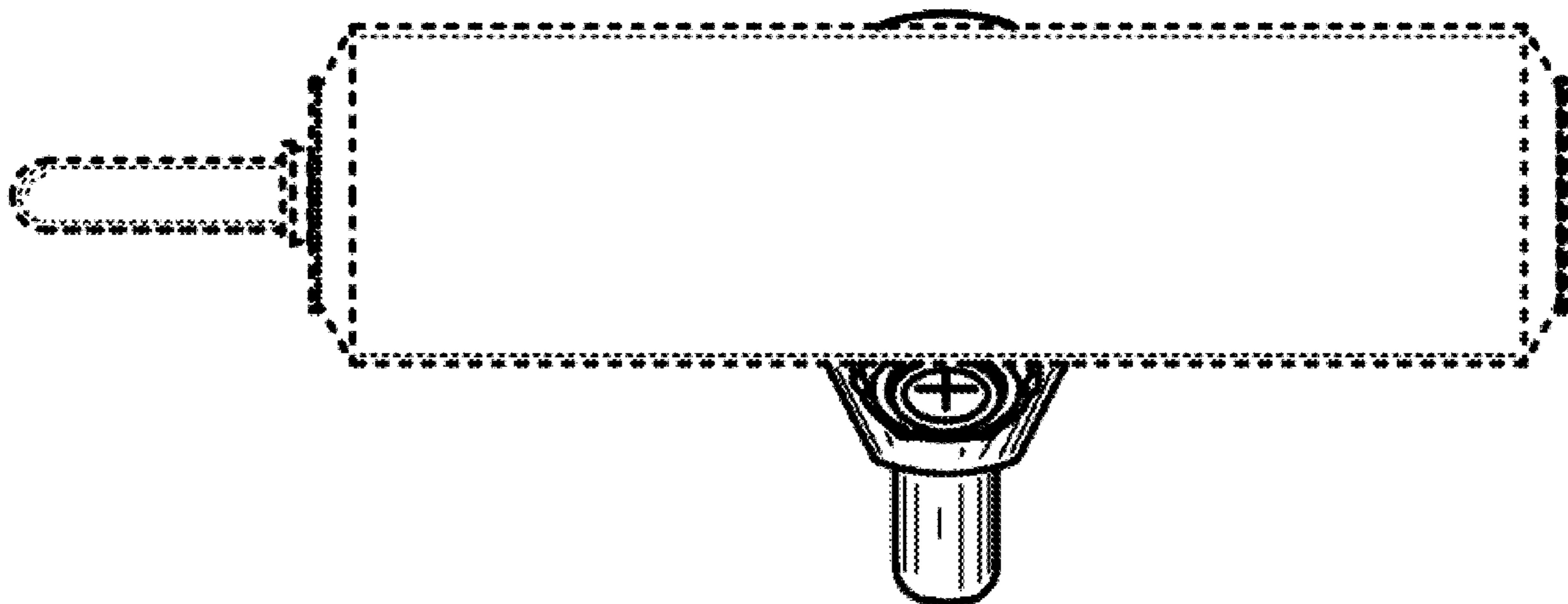
(57) **CLAIM**

The ornamental design for the paint roller, as shown and described.

**DESCRIPTION**

FIG. 1 is a perspective view of the paint roller.  
FIG. 2 is a front view of the paint roller.  
FIG. 3 is a rear view of the paint roller.  
FIG. 4 is a left side view of the paint roller.  
FIG. 5 is a right side view of the paint roller.  
FIG. 6 is a top view of the paint roller; and,  
FIG. 7 is a bottom view of the paint roller.  
The details shown in broken lines form no part of the claimed design.

**1 Claim, 3 Drawing Sheets**



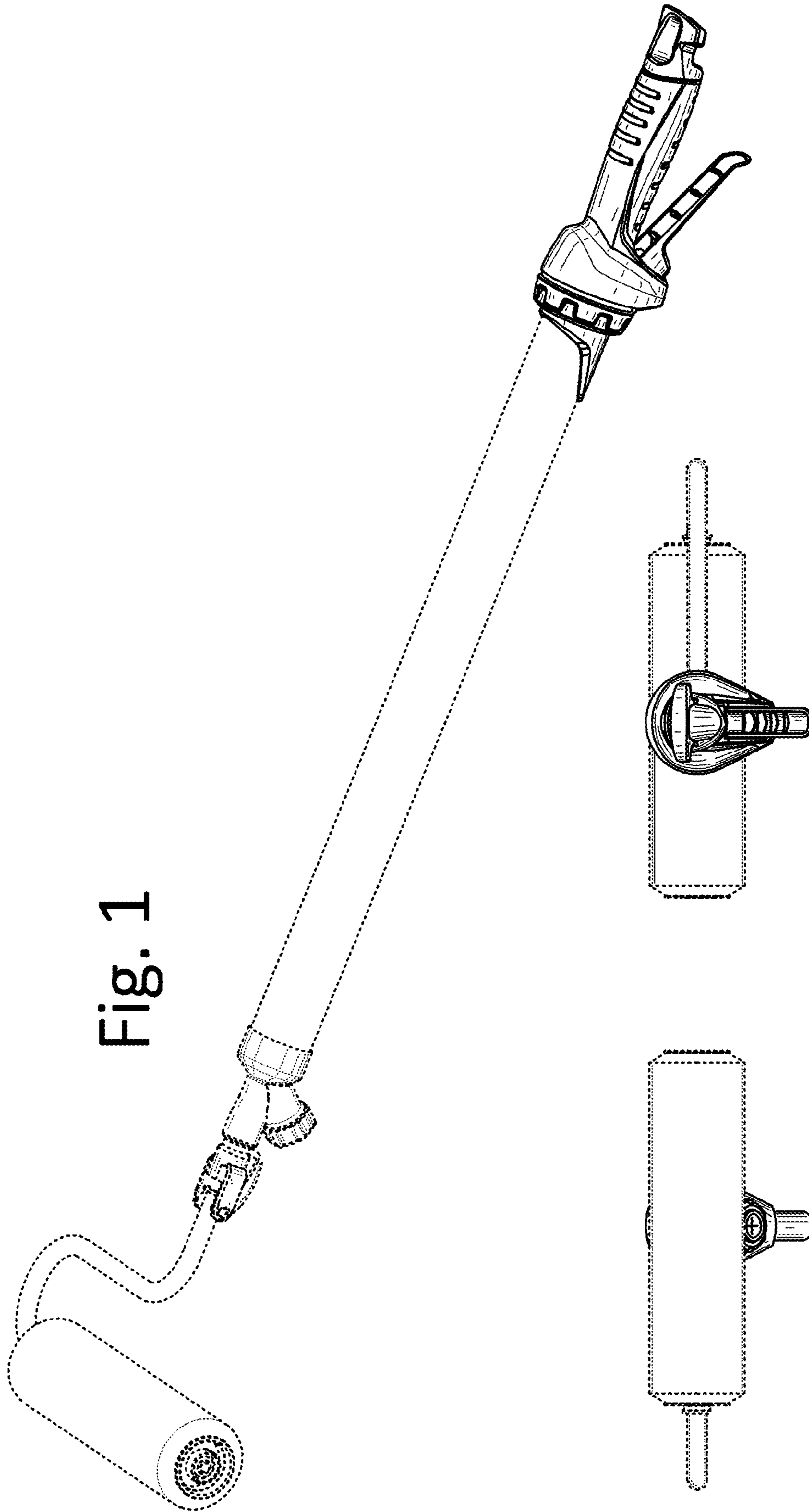


Fig. 1

Fig. 3

Fig. 2

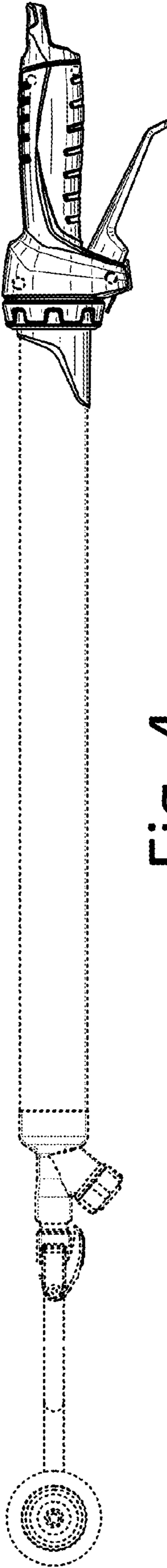


Fig. 4

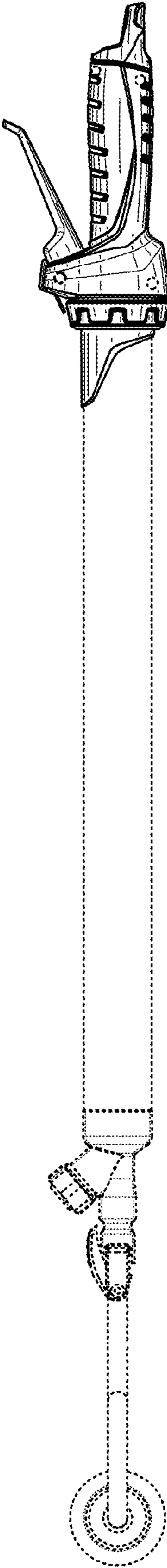


Fig. 5

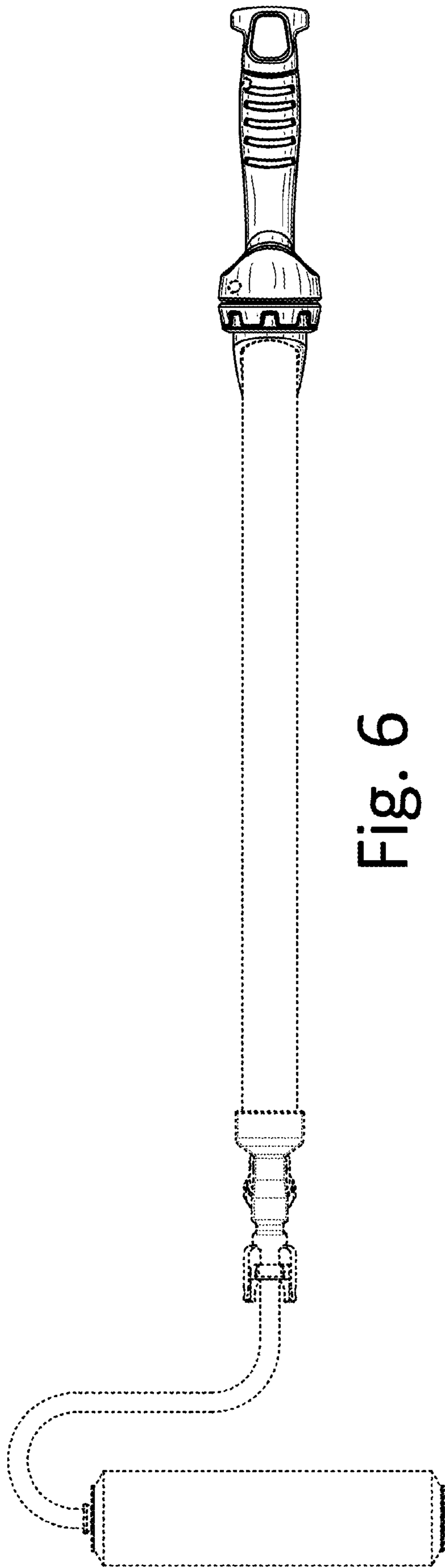


Fig. 6

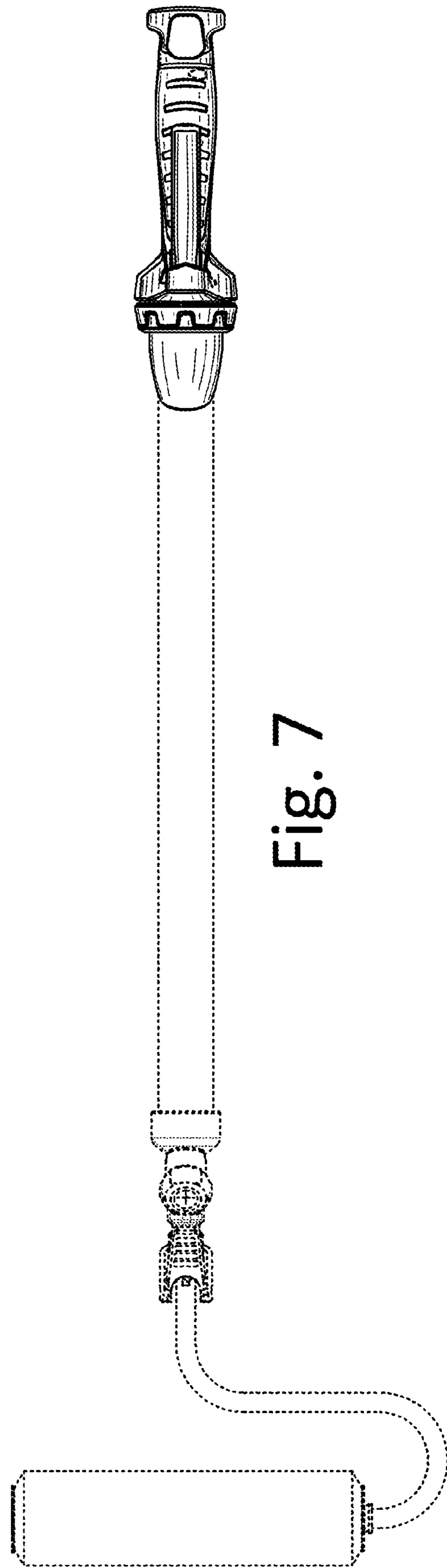


Fig. 7