



US00D951652S

(12) **United States Design Patent**  
**Lander**

(10) **Patent No.:** **US D951,652 S**  
(45) **Date of Patent:** **\*\* May 17, 2022**

(54) **TOOTHBRUSH HEAD WITH DOUBLE SIDED BRISTLES**

D764,664 S 8/2016 Ripich et al.  
D781,427 S 3/2017 Blank et al.  
D787,674 S 5/2017 Sosa et al.  
D795,440 S 8/2017 Way et al.  
D813,390 S 3/2018 Austria  
(Continued)

(71) Applicant: **LANDER ENTERPRISES, LLC**, San Diego, CA (US)

(72) Inventor: **Christopher Lander**, San Diego, CA (US)

**FOREIGN PATENT DOCUMENTS**

(73) Assignee: **LANDER ENTERPRISES, LLC**, San Diego, CA (US)

CN 306765351 \* 8/2021  
FR 3058314 A1 5/2018  
(Continued)

(\*\*) Term: **15 Years**

**OTHER PUBLICATIONS**

(21) Appl. No.: **29/736,210**

Autobrush, announced 2021 [online], [site visited Feb. 22, 2022]. Available from internet, URL: [https://tryautobrush.com/products/extra-brush-head?variant=32784120676399&dfw\\_tracker=132526-32784120676399&ab\\_version=A](https://tryautobrush.com/products/extra-brush-head?variant=32784120676399&dfw_tracker=132526-32784120676399&ab_version=A) (Year: 2021).\*

(22) Filed: **May 28, 2020**

(51) **LOC (13) Cl.** ..... **04-02**

(52) **U.S. Cl.**  
USPC ..... **D4/106**

(58) **Field of Classification Search**  
USPC ..... D4/100-138, 199; D24/176, 181; D29/108  
CPC .... A46B 2200/1066; A46B 2200/1073; A46B 2200/1086; A46B 5/0095; A46B 9/04; A46B 9/028; A46B 13/023; A61C 17/16; A61C 17/122

See application file for complete search history.

(Continued)

*Primary Examiner* — Cynthia Ramirez  
*Assistant Examiner* — Tamara L Hahn  
(74) *Attorney, Agent, or Firm* — David R. Heckadon; Gordon Rees Scully Mansukhani LLP

(56) **References Cited**

**U.S. PATENT DOCUMENTS**

5,259,086 A 11/1993 Fong  
D406,891 S 3/1999 Smith  
6,083,235 A 7/2000 Wagner  
6,202,245 B1 3/2001 Khodadadi  
D460,268 S 7/2002 Harada  
D461,057 S 8/2002 Flores et al.  
D465,847 S 11/2002 Jacobs  
7,418,757 B2 9/2008 Gatznerneyer et al.  
D623,414 S 9/2010 Wagner  
8,206,201 B2 6/2012 Fioratti  
D756,121 S 5/2016 Gruber et al.

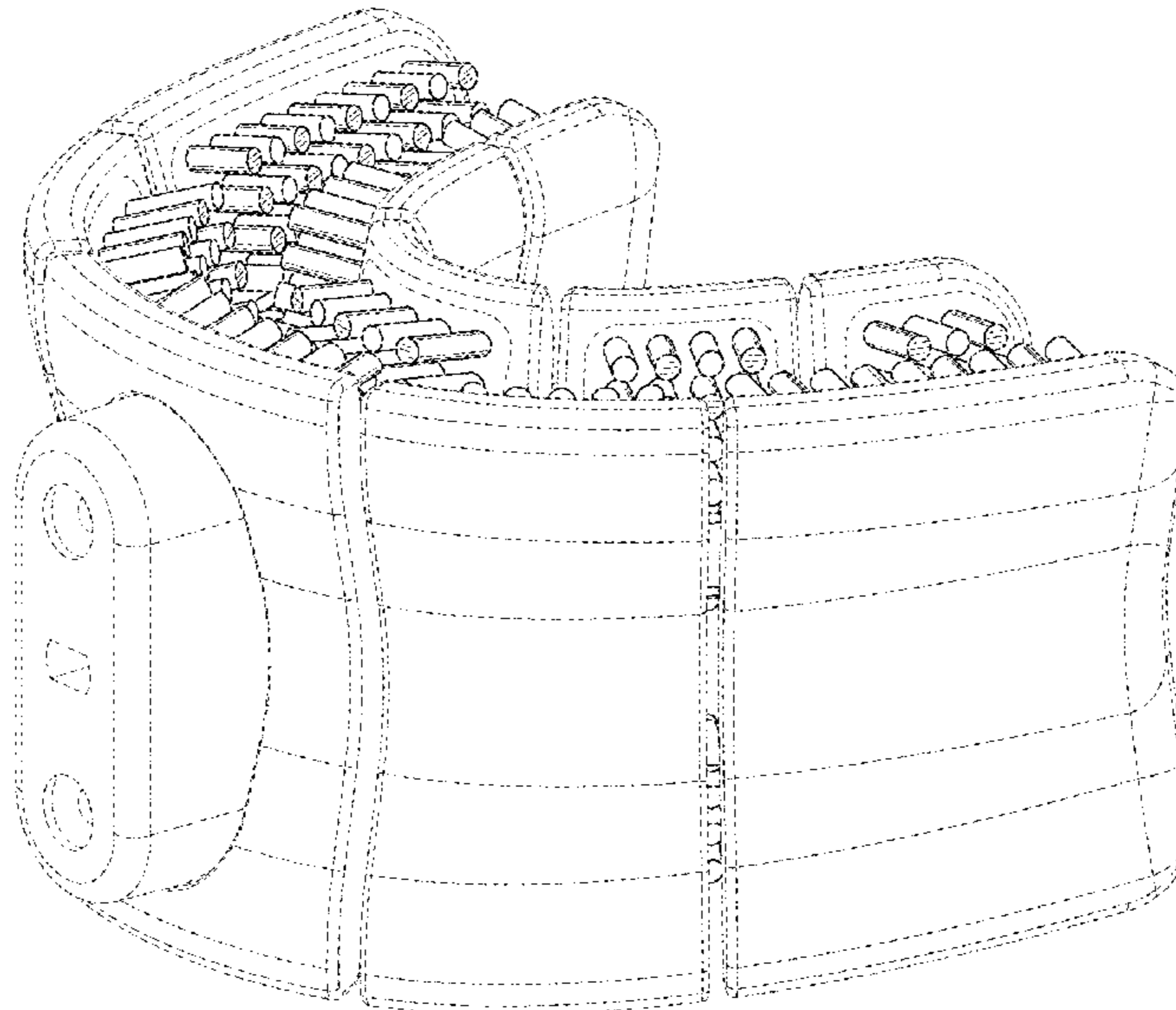
(57) **CLAIM**

The ornamental design for a toothbrush head with double sided bristles, as shown and described.

**DESCRIPTION**

FIG. 1 is a top perspective view of a toothbrush head with double sided bristles, showing my new design. FIG. 2 is a front elevation view thereof; FIG. 3 is a top plan view thereof; and, FIG. 4 is a bottom plan view thereof. The broken lines in the drawings depict portions of the toothbrush head with double sided bristles that form no part of the claimed design.

**1 Claim, 4 Drawing Sheets**



(56)

References Cited

U.S. PATENT DOCUMENTS

9,907,633	B2	3/2018	Wolpo	
10,314,679	B2	6/2019	Blank et al.	
10,368,968	B2 *	8/2019	Reizenson .....	A61B 5/14507
D864,578	S	10/2019	Liu	
D867,598	S	11/2019	Qin et al.	
D885,768	S *	6/2020	Li .....	D4/106
D887,146	S	6/2020	Lander	
D893,197	S *	8/2020	Rosenberg .....	D4/106
D899,600	S	10/2020	Li	
D904,620	S *	12/2020	Farrell .....	D24/180
D908,890	S	1/2021	Demarest et al.	
D943,282	S	2/2022	Lander	
2017/0025137	A1	1/2017	Shi et al.	
2018/0242727	A1 *	8/2018	Ofek .....	A46B 15/0071
2020/0093251	A1 *	3/2020	Song .....	A46B 11/0006
2020/0253368	A1 *	8/2020	Laurent .....	A61C 17/22
2021/0161287	A1 *	6/2021	Cadot .....	A46D 3/045

FOREIGN PATENT DOCUMENTS

FR	3058315	B1	1/2019
GB	6106472		11/2020
GB	6142182		6/2021
GB	6177578		11/2021
GB	6177579		11/2021
WO	2018087481	A1	5/2018
WO	2021023921	A1	2/2021

OTHER PUBLICATIONS

Vwhite, announced Jun. 2019 [online], [site visited Feb. 22, 2022]. Available from internet, URL: <https://www.amazon.com/Replacement-Automatic-Toothbrush-ultrasonic-Electric/dp/B07SLFGLSL> (Year: 2019).\*

Ultrasonic Rechargeable Electric Toothbrush V-WHITE 360° Automatic Toothbrush Whitening Electric Power Toothbrush for Adults, amazon.com, date unknown, 2 pages.

U-Shape Automatic Sonic Electric Toothbrush, excelvan.com, date unknown, 5 pages.

Automatic Whitening Toothbrush; inspireuplift.com, date unknown, 6 pages.

Azdent 360 Intelligent Sonic Electric Automatic Toothbrush, aliexpress.com, 2020, 31 pages.

Dental Automatic Electric Wireless 360 Children Toothbrush/Teeth Clean Head, ebay.com, 2020, 8 pages.

Autobrush Pro Adults Complete Oral Healthcare System, amazon.com, 2021, 11 pages.

Autobrush Pro Kids, tryautobrush.com, 2021, 4 pages.

Autobrush 4 Kids Whole Mouth Electric Toothbrush, 2020, 10 pages.

Autobrush Automatic Tongue Scraper, tryautobrush.com, 2020, 5 pages.

Autobrush for Adults Replenish Pack, youtube.com, Jul. 29, 2020, 2 pages.

\* cited by examiner

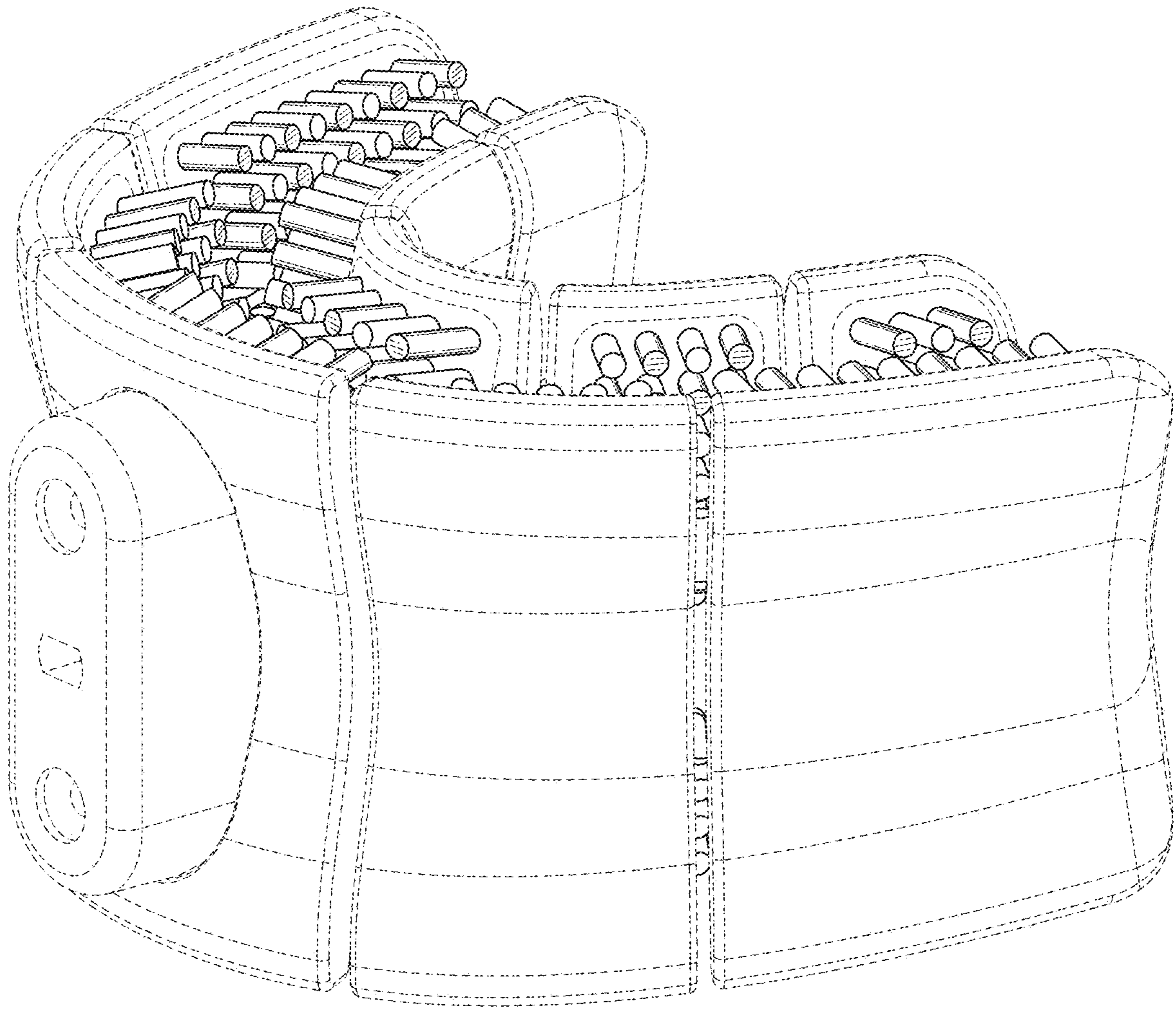


FIG. 1

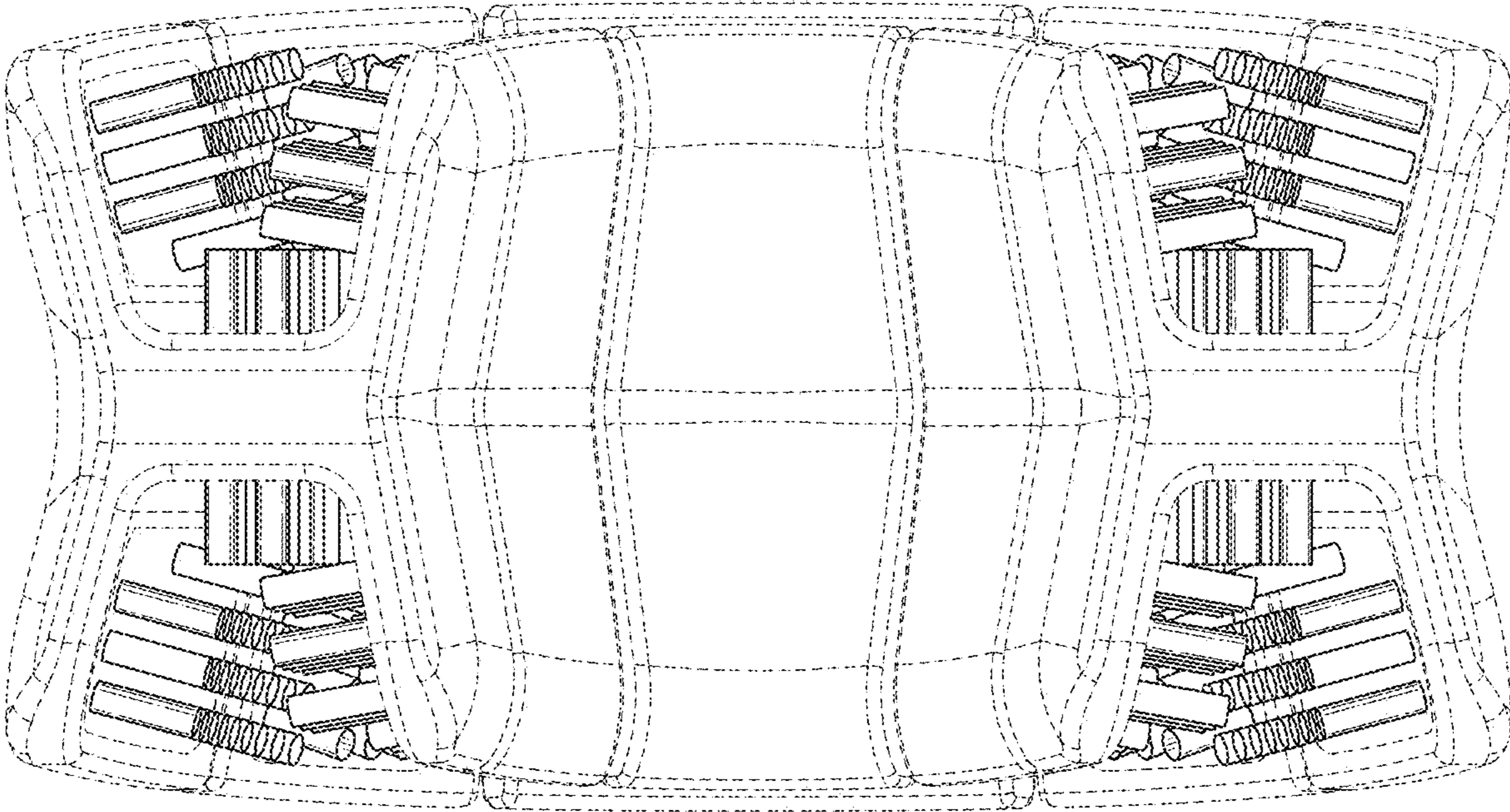


FIG. 2

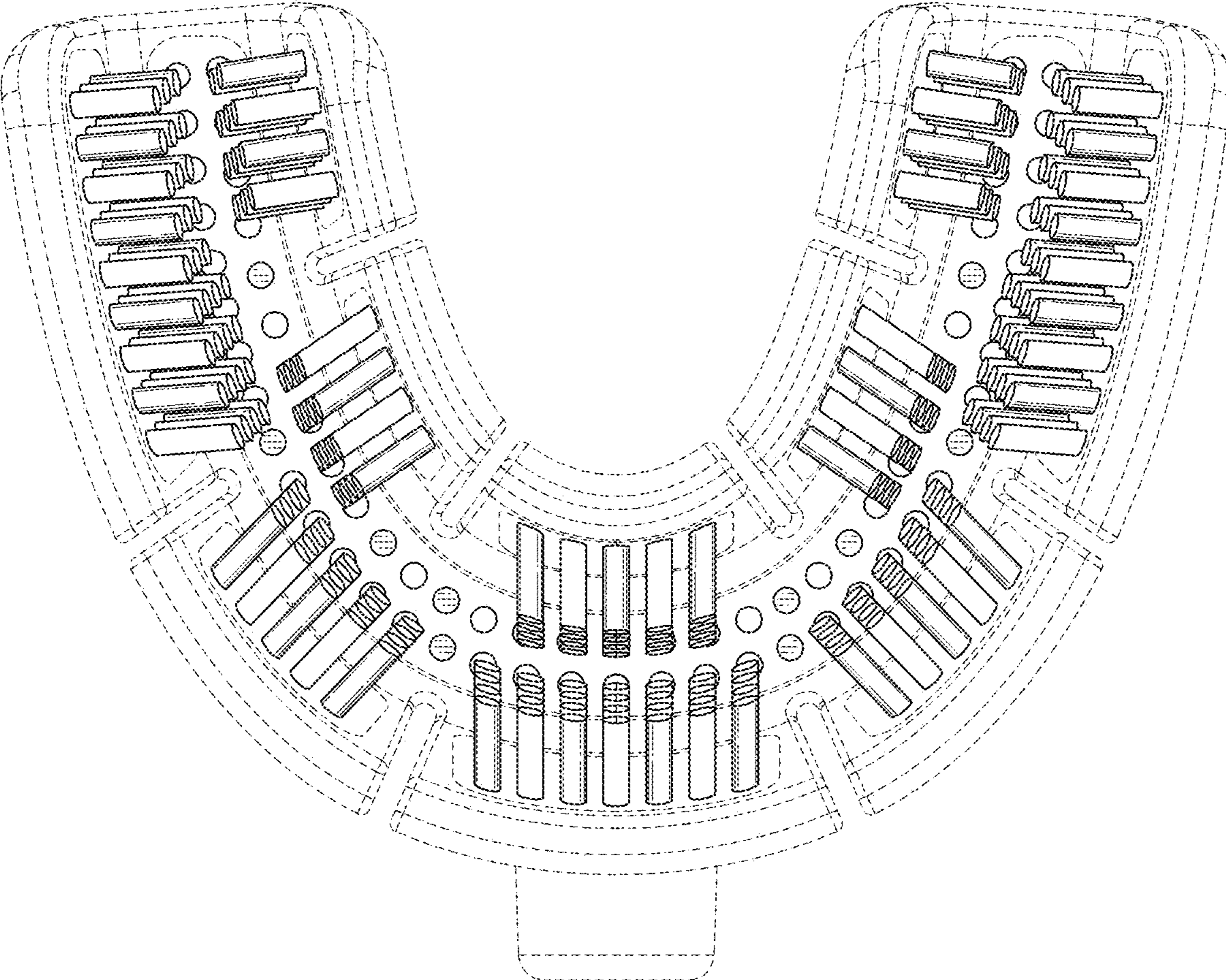


FIG. 3

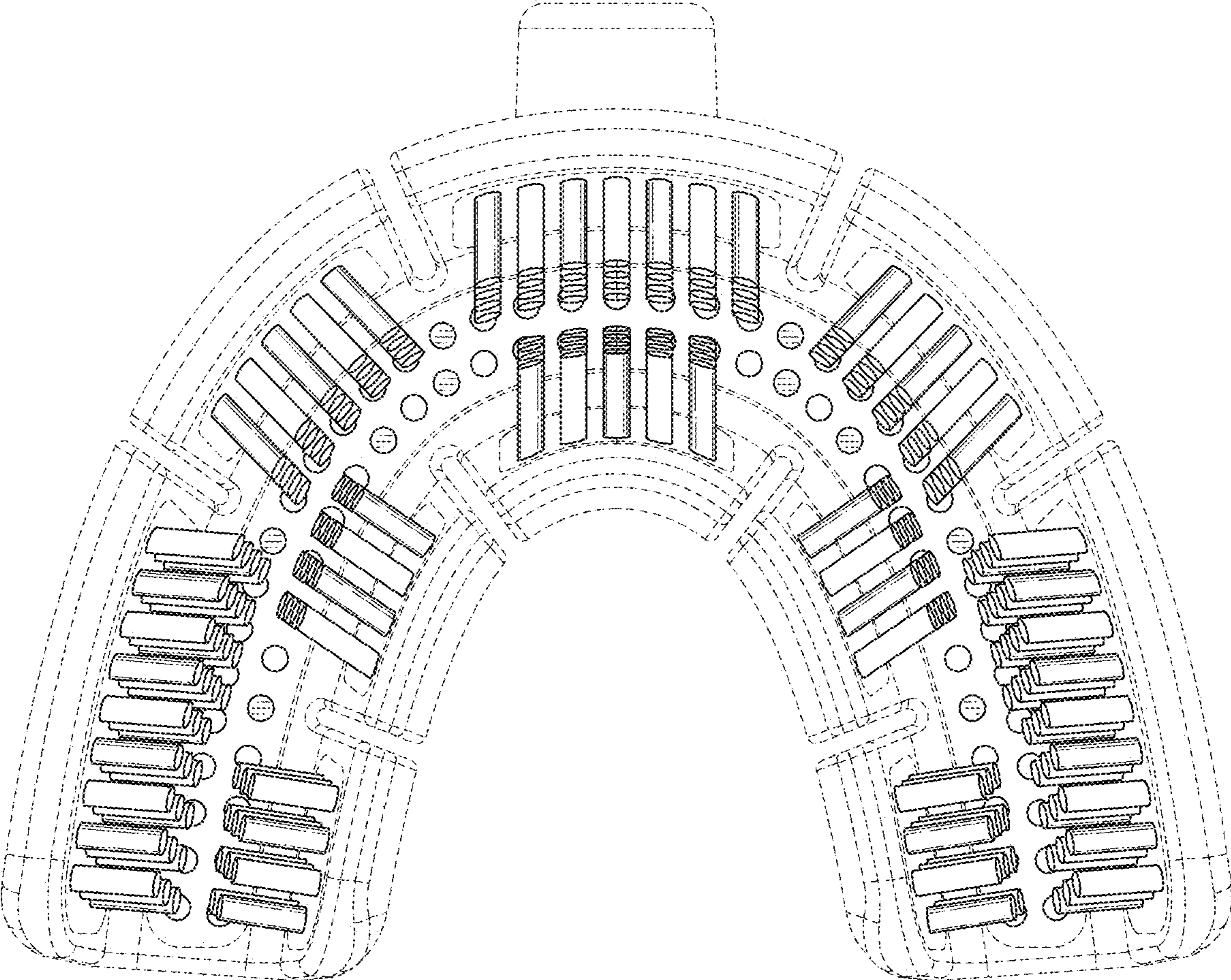


FIG. 4