



US00D951651S

(12) **United States Design Patent** (10) **Patent No.:** **US D951,651 S**  
**Veronneau** (45) **Date of Patent:** **\*\* May 17, 2022**

(54) **TOOTHBRUSH HEAD**  
 (71) Applicant: **CENTRES DENTAIRE**  
**VERONNEAU INC.**, Saint-Hyacinthe  
 (CA)  
 (72) Inventor: **Jacques Veronneau**, Saint-Hyacinthe  
 (CA)  
 (73) Assignee: **Jacques Veronneau**, Saint-Hyacinthe  
 (CA)

5,459,899 A \* 10/1995 Bauer ..... A46B 9/04  
 15/167.1  
 6,035,476 A \* 3/2000 Underwood ..... A46B 9/045  
 15/22.1  
 D459,084 S \* 6/2002 Harada ..... D4/104  
 D460,268 S \* 7/2002 Harada ..... D4/104  
 D460,624 S \* 7/2002 Harada ..... D4/104  
 D464,797 S \* 10/2002 Harada ..... D4/104  
 D464,798 S \* 10/2002 Harada ..... D4/104  
 D464,800 S \* 10/2002 Harada ..... D4/104

(Continued)

(\*\*) Term: **15 Years**

(21) Appl. No.: **29/701,227**

(22) Filed: **Aug. 9, 2019**

(51) **LOC (13) Cl.** ..... **04-02**

(52) **U.S. Cl.**  
USPC ..... **D4/104**

(58) **Field of Classification Search**  
 USPC ..... D4/100, 101, 102, 104, 105, 106, 107,  
 D4/108, 109, 110, 111, 112, 113, 114,  
 D4/115, 116, 117, 118, 119, 120, 121,  
 D4/127, 128, 129, 130, 131, 132, 133,  
 D4/134, 135, 136, 137, 138, 199;  
 D30/158  
 CPC ..... A46B 2200/1066; A46B 5/02; A46B 9/04;  
 A46B 2200/1073; A46B 2200/1086;  
 A61C 17/22

See application file for complete search history.

(56) **References Cited**

**U.S. PATENT DOCUMENTS**

D240,677 S \* 7/1976 Thompson ..... D4/104  
 4,010,509 A \* 3/1977 Huish ..... A46B 9/045  
 15/167.1  
 D321,285 S \* 11/1991 Hirabayashi ..... D4/101  
 D330,286 S \* 10/1992 Curtis ..... D4/104  
 D333,918 S \* 3/1993 Curtis ..... D4/104  
 5,305,492 A \* 4/1994 Giuliani ..... A46B 15/0002  
 15/167.1

**FOREIGN PATENT DOCUMENTS**

KR 300971262.0000 \* 9/2018  
 KR 301008323.0000 \* 5/2019

*Primary Examiner* — Karen E Eldridge Powers

(74) *Attorney, Agent, or Firm* — Brouillette Legal Inc.;  
Robert Brouillette

(57) **CLAIM**

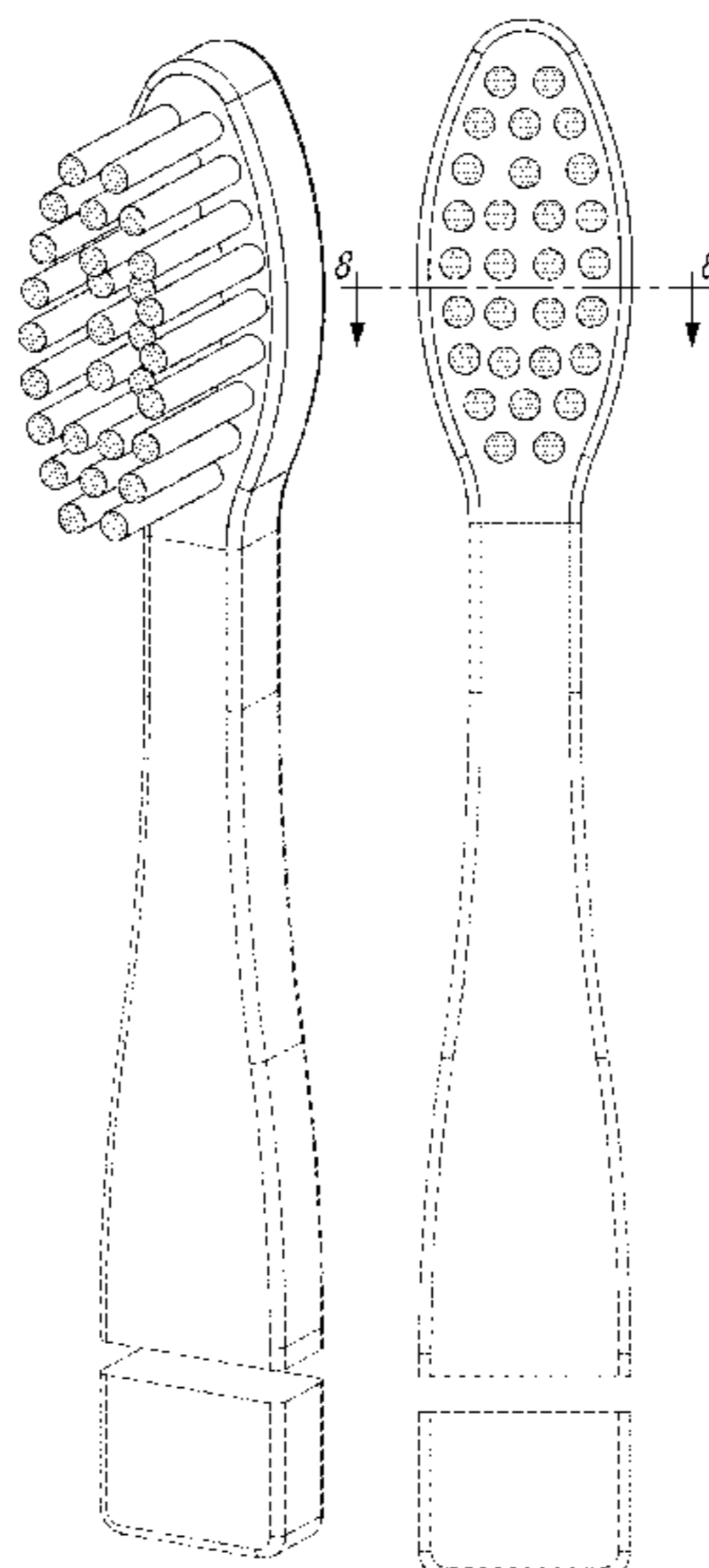
The ornamental design for a toothbrush head, as shown and described.

**DESCRIPTION**

FIG. 1 is a front perspective view of the right-side of the toothbrush head;  
 FIG. 2 is a left-side elevational view of the toothbrush head;  
 FIG. 3 is a right-side elevational view of the toothbrush head;  
 FIG. 4 is a front elevational view of the toothbrush head;  
 FIG. 5 is a rear elevational view of the toothbrush head;  
 FIG. 6 is a top plan view of the toothbrush head;  
 FIG. 7 is a bottom plan view of the toothbrush head; and,  
 FIG. 8 is a cross-sectional view of the toothbrush head taken along line 8 of FIG. 4.

The broken lines shown in the drawings illustrate features of the article in which the design is embodied that form no part of the claim.

**1 Claim, 4 Drawing Sheets**



(56)

**References Cited**

U.S. PATENT DOCUMENTS

D467,081	S *	12/2002	Harada	.....	D4/104
D467,082	S *	12/2002	Harada	.....	D4/104
D468,538	S *	1/2003	Harada	.....	D4/104
D480,876	S *	10/2003	Harada	.....	D4/104
8,516,645	B2 *	8/2013	Kraemer	.....	A46B 5/0029
					15/201
8,668,397	B2 *	3/2014	Barkhordar	.....	A61C 17/36
					401/13
D758,081	S *	6/2016	Harmoush	.....	D4/105
9,456,680	B2 *	10/2016	Corbett	.....	A46B 5/021
D783,182	S *	4/2017	Kilian	.....	D25/138
D783,184	S *	4/2017	Kilian	.....	D25/138
10,455,929	B2 *	10/2019	Corbett	.....	A46B 5/021
D880,166	S *	4/2020	Oh	.....	D4/104
2014/0310902	A1 *	10/2014	Gerlach	.....	A61C 17/20
					15/167.1
2021/0112962	A1 *	4/2021	Veronneau	.....	A46B 9/06
2021/0196037	A1 *	7/2021	Veronneau	.....	A46B 9/04

\* cited by examiner

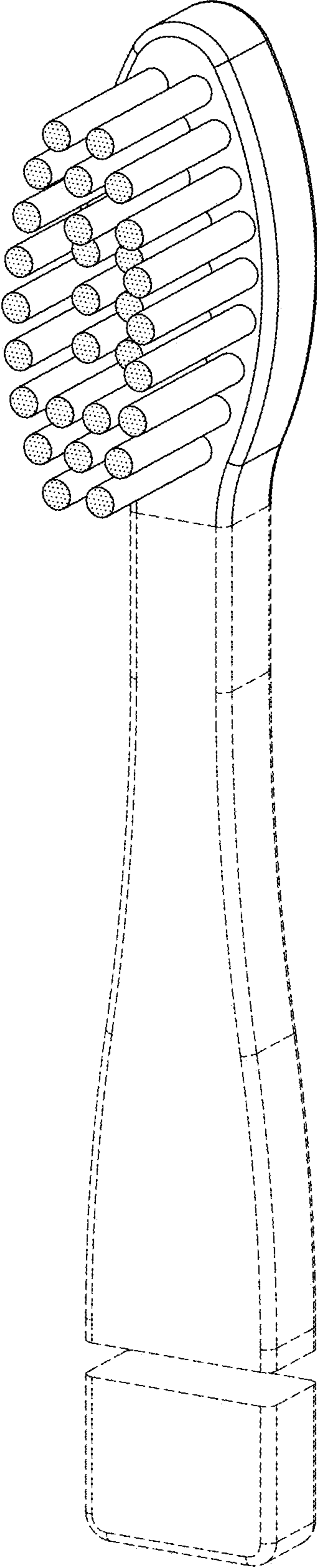


FIG. 1

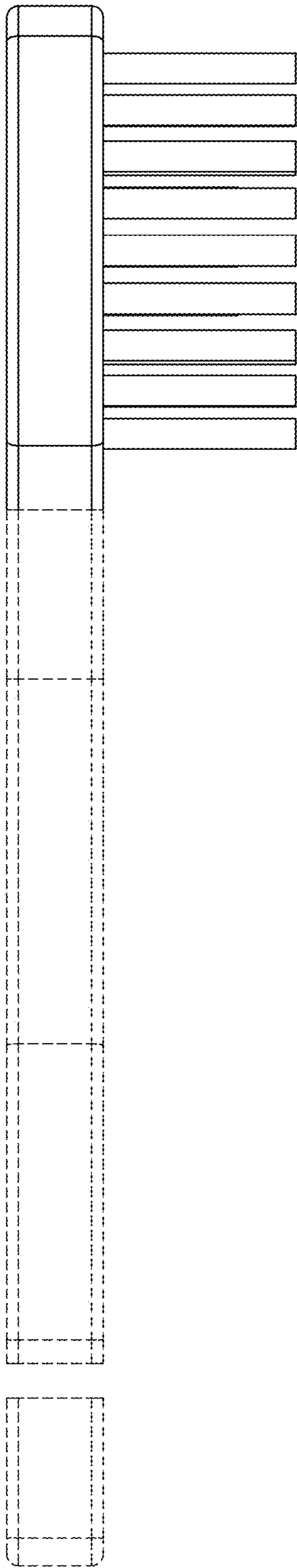


FIG. 2

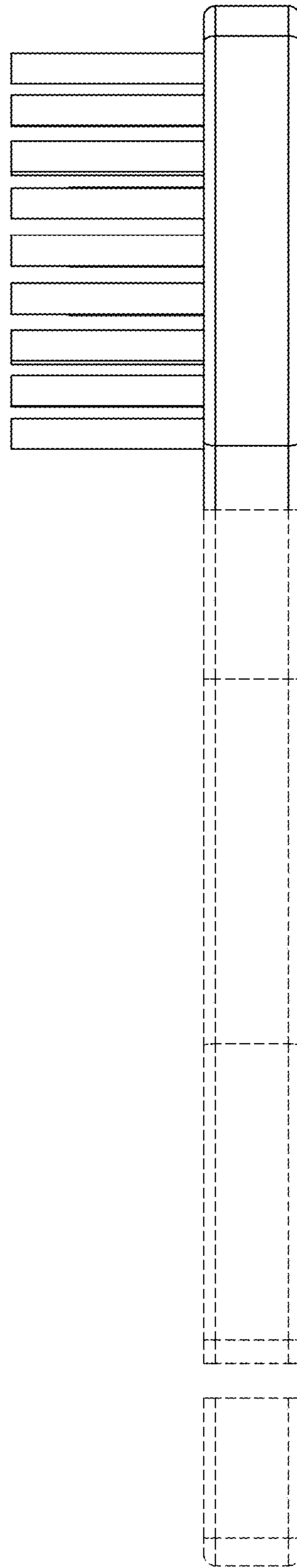


FIG. 3

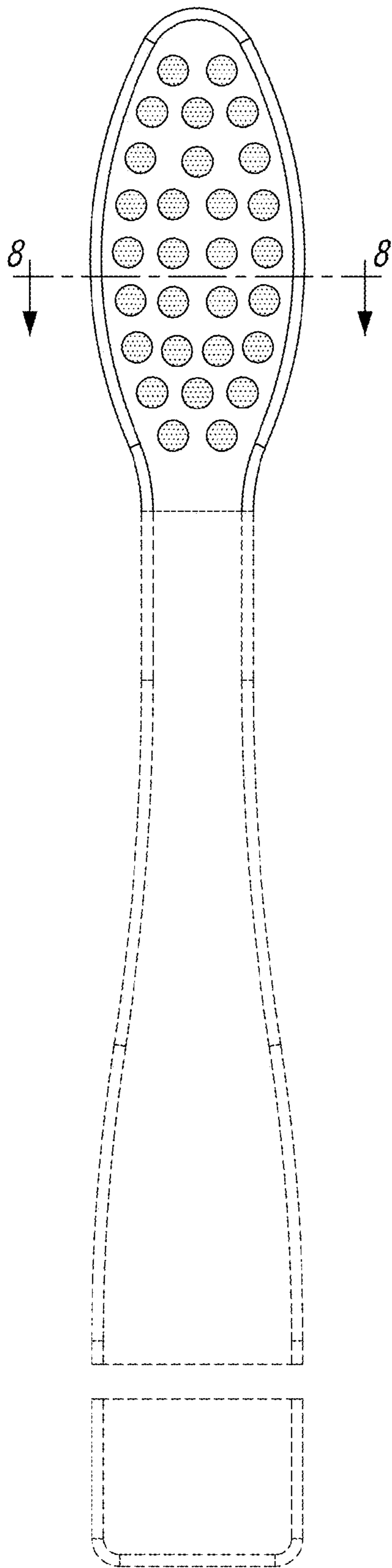


FIG. 4

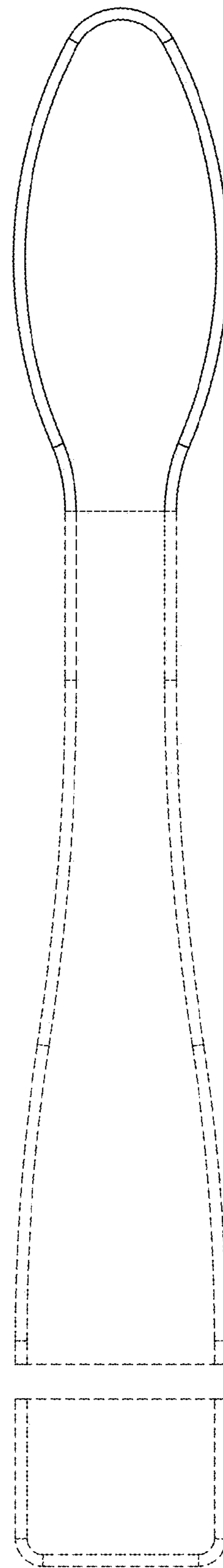


FIG. 5

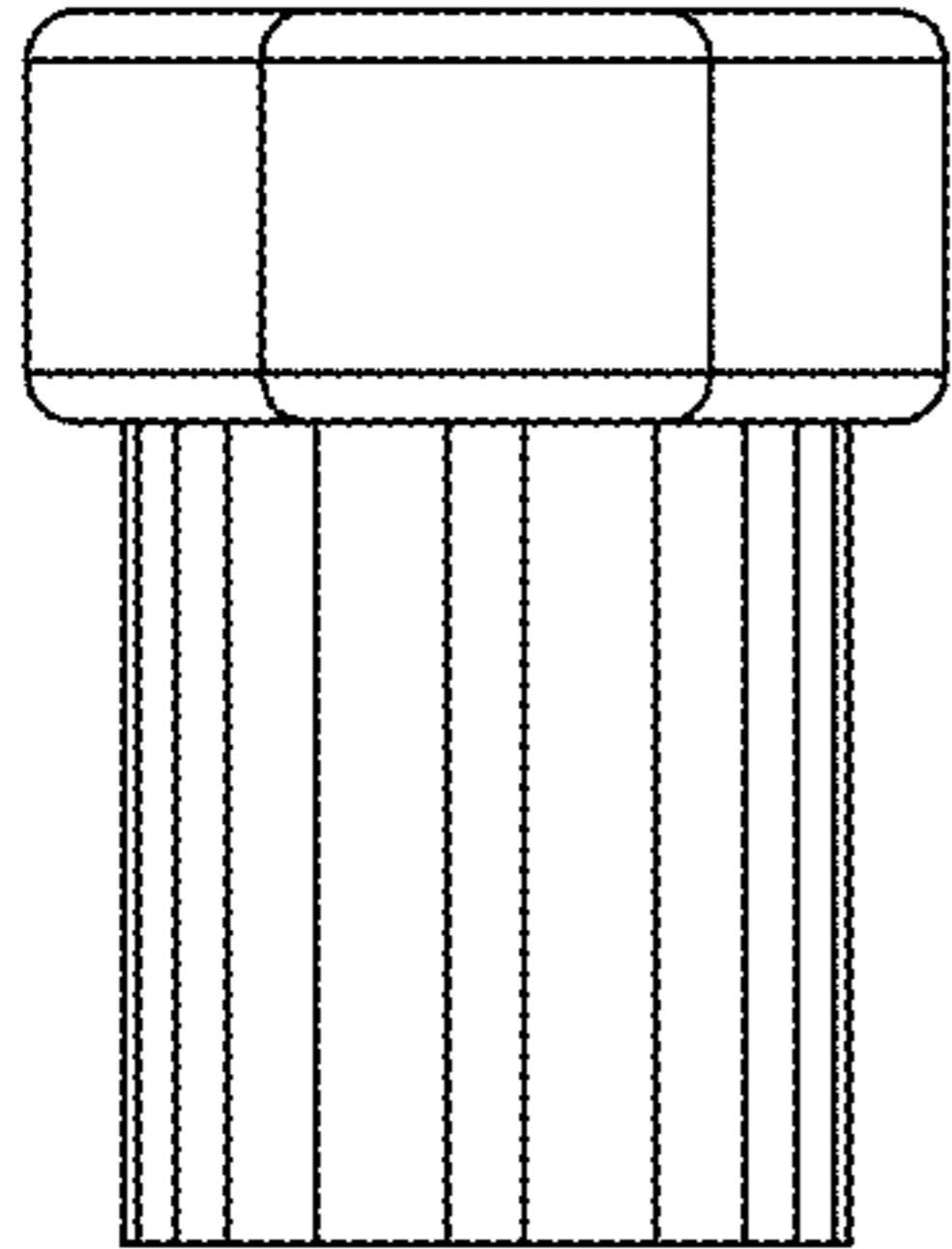


FIG. 6

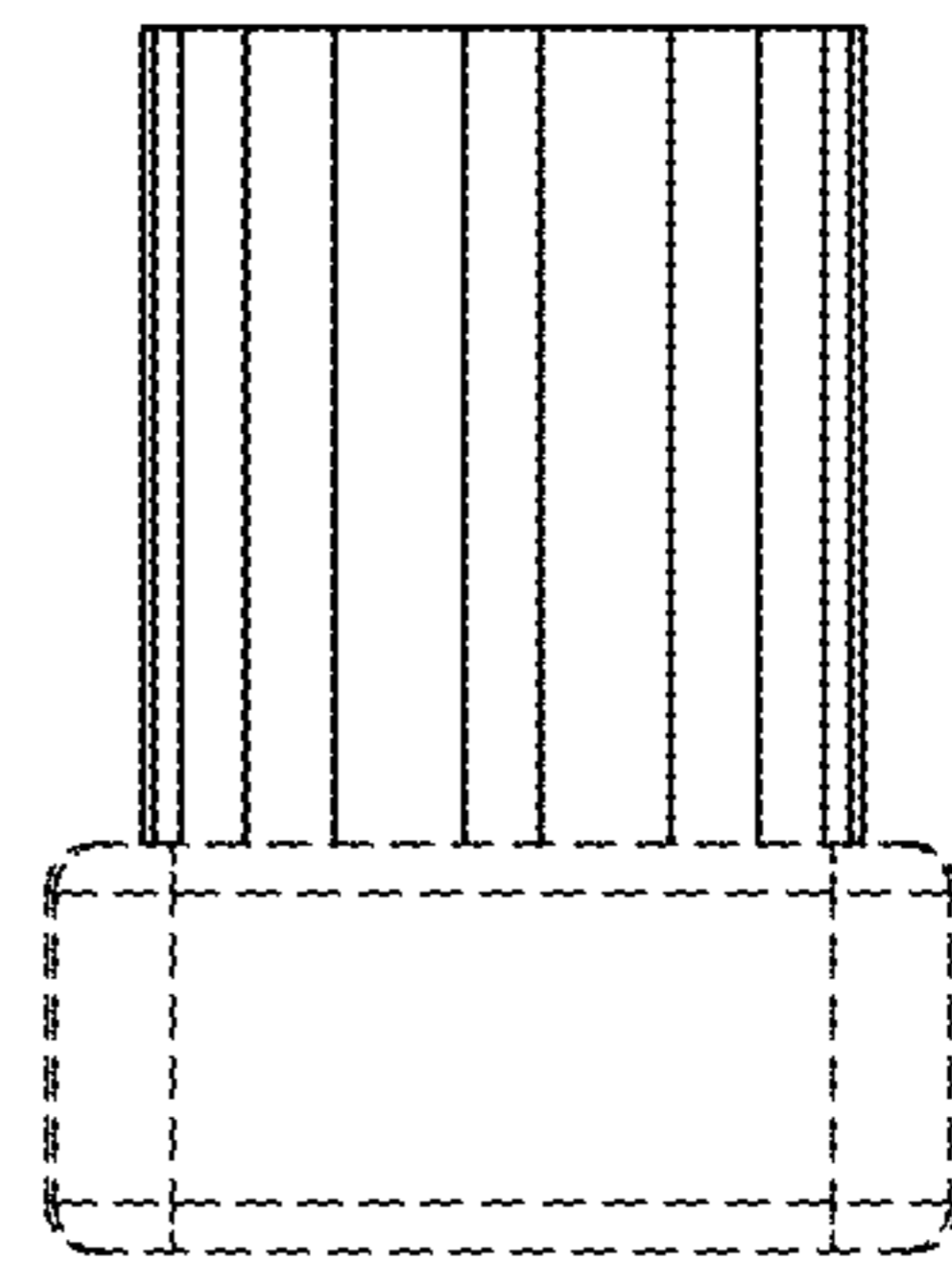


FIG. 7

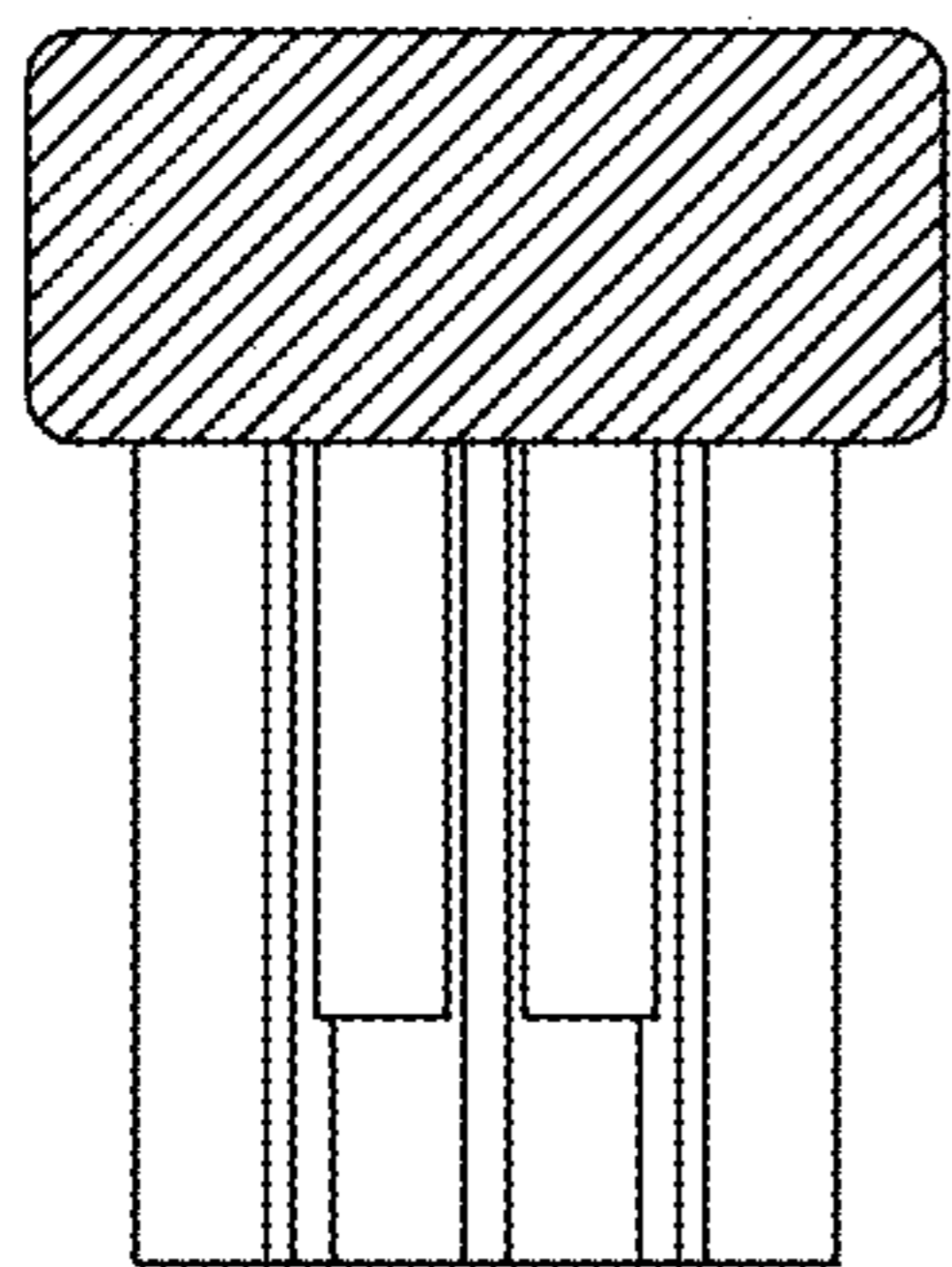


FIG. 8