



US00D951647S

(12) **United States Design Patent** (10) **Patent No.:** **US D951,647 S**  
**Xiao** (45) **Date of Patent:** **\*\* May 17, 2022**

(54) **HAIR DRYER VOLUMIZER BRUSH**  
(71) Applicant: **Zhaojie Zhang**, Changde (CN)  
(72) Inventor: **Jincheng Xiao**, Changde (CN)  
(73) Assignee: **Zhaojie Zhang**, Changde (CN)  
(\*\*) Term: **15 Years**

D908,956 S \* 1/2021 Kwok ..... D28/35  
D915,775 S \* 4/2021 Moon ..... D4/128  
D916,370 S \* 4/2021 Zhang ..... D28/35  
D917,173 S \* 4/2021 Li ..... D4/100  
2015/0135455 A1\* 5/2015 Reusche ..... A46B 9/023  
15/160

(21) Appl. No.: **29/743,461**  
(22) Filed: **Jul. 22, 2020**  
(51) **LOC (13) Cl.** ..... **28-03**  
(52) **U.S. Cl.**  
USPC ..... **D4/100; D4/133; D4/134**  
(58) **Field of Classification Search**  
USPC ..... D4/100, 102, 114, 115, 116, 117, 118,  
D4/119, 120, 121, 122, 123, 124, 125,  
D4/126, 127, 128, 129, 130, 131, 132,  
D4/133, 134, 135, 136, 137, 138, 199;  
D24/214, 215; D28/13, 63, 15, 18, 21,  
D28/24, 25, 30, 35; D30/158, 159  
CPC ..... A46B 5/02; A46B 9/023; A46B 5/0095;  
A46B 15/0051; A46B 2200/104  
See application file for complete search history.

**FOREIGN PATENT DOCUMENTS**

GB 9007203112-0001 \* 11/2019  
GB 6094420 \* 7/2020  
GB 9008032684-0001 \* 7/2020

\* cited by examiner

*Primary Examiner* — Karen E Eldridge Powers

(57) **CLAIM**

The ornamental design for a hair dryer volumizer brush, as shown and described.

**DESCRIPTION**

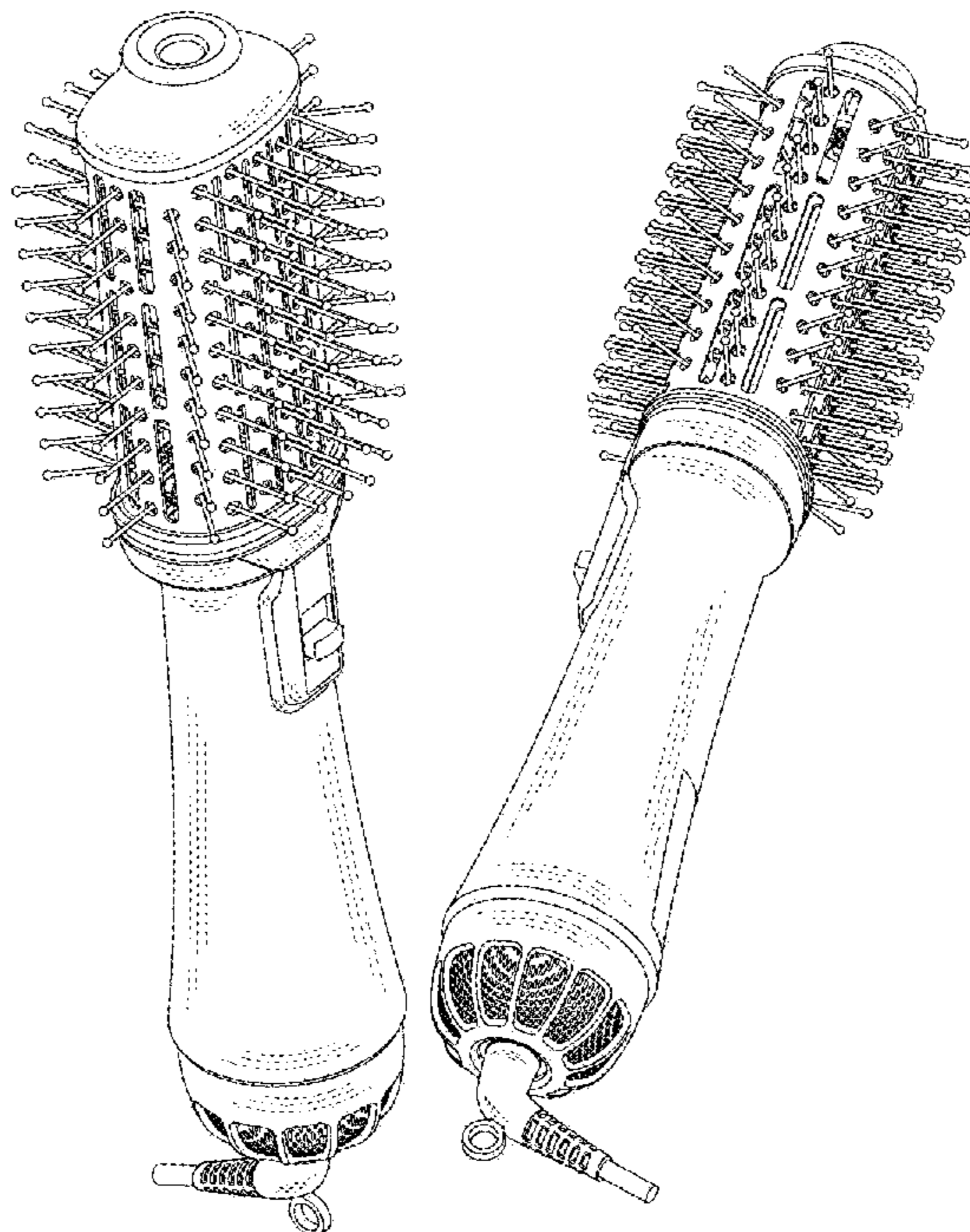
FIG. 1 is a front and top perspective view of a hair dryer volumizer brush showing my new design;  
FIG. 2 is a bottom and left side perspective view thereof;  
FIG. 3 is a front elevation view thereof;  
FIG. 4 is a rear elevation view thereof;  
FIG. 5 is a left side elevation view thereof;  
FIG. 6 is a right side elevation view thereof;  
FIG. 7 is a top plan view thereof;  
FIG. 8 is a bottom plan view thereof;  
FIG. 9 is an enlarged view of the hair dryer volumizer brush taken from the upper portion encircled in FIG. 3; and,  
FIG. 10 is another enlarged view of the hair dryer volumizer brush taken from the lower portion encircled in FIG. 3.

(56) **References Cited**

**U.S. PATENT DOCUMENTS**

D383,245 S \* 9/1997 Seifert ..... D28/13  
D386,816 S \* 11/1997 Seifert ..... D28/18  
D879,374 S \* 3/2020 Liao ..... D28/13  
D880,061 S \* 3/2020 Liao ..... D28/15  
D901,898 S \* 11/2020 Zhanye ..... D4/102  
D902,482 S \* 11/2020 Koenemann ..... D28/35  
D902,603 S \* 11/2020 Zhanye ..... D4/102  
D903,941 S \* 12/2020 Koenemann ..... D28/35

**1 Claim, 10 Drawing Sheets**



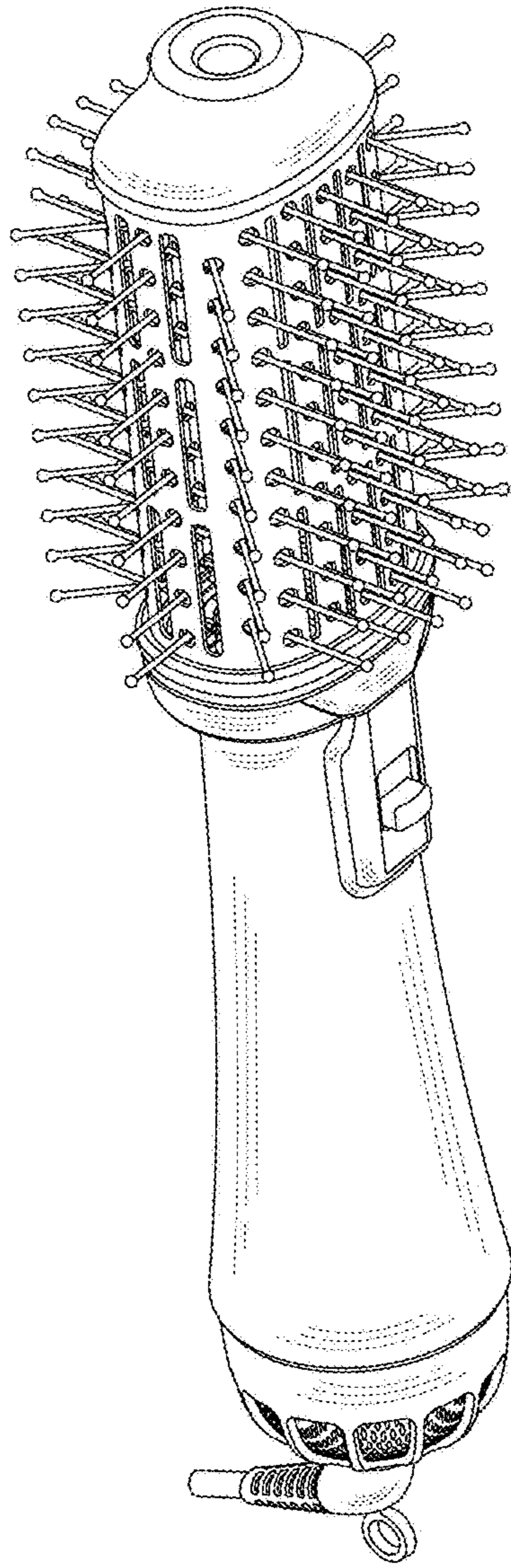


FIG.1

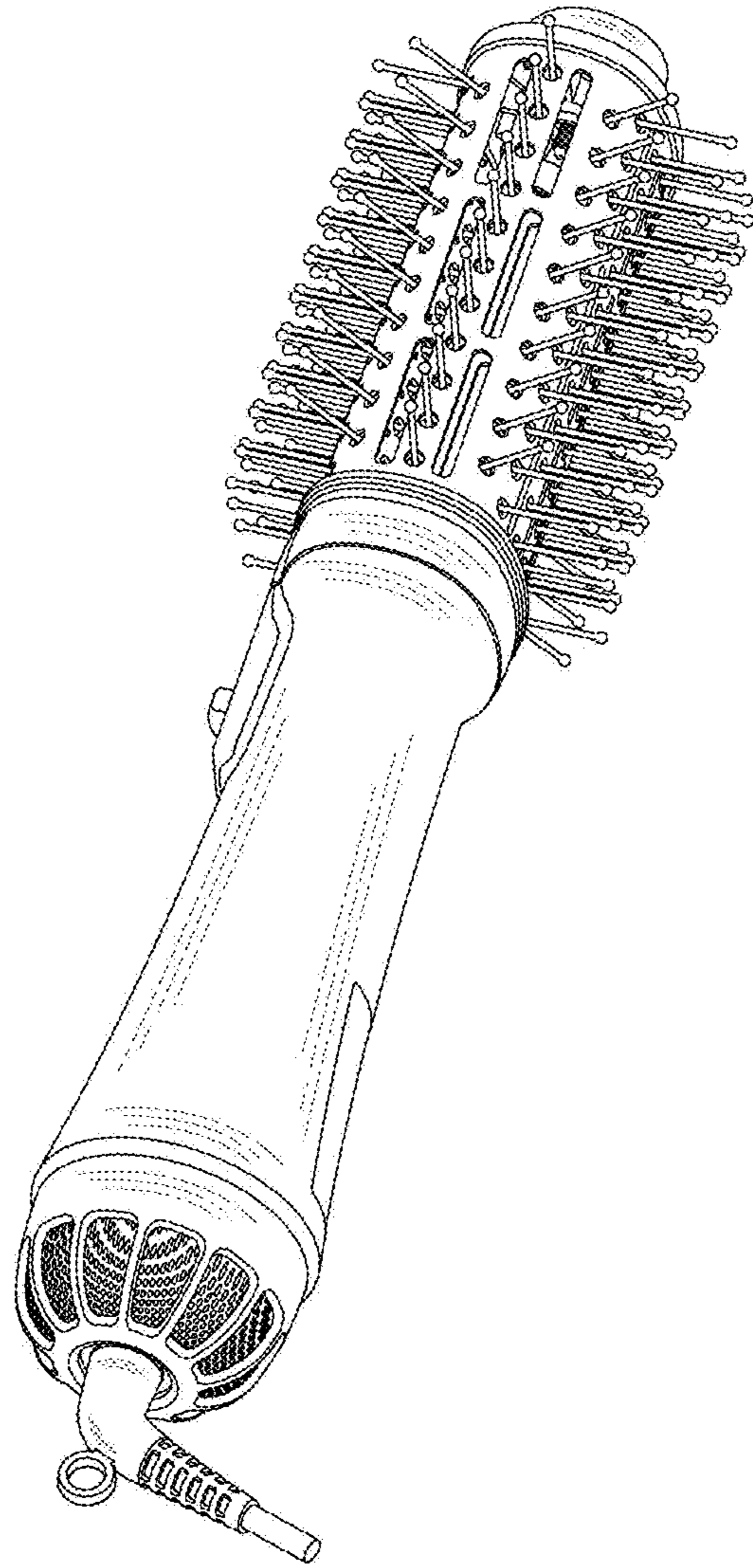


FIG.2



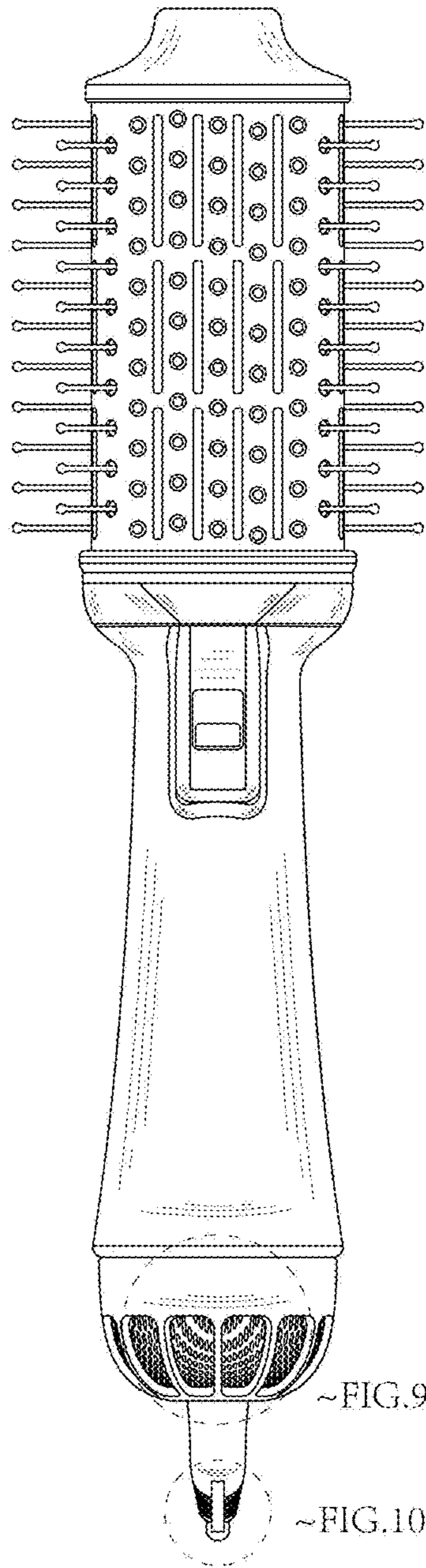


FIG.3

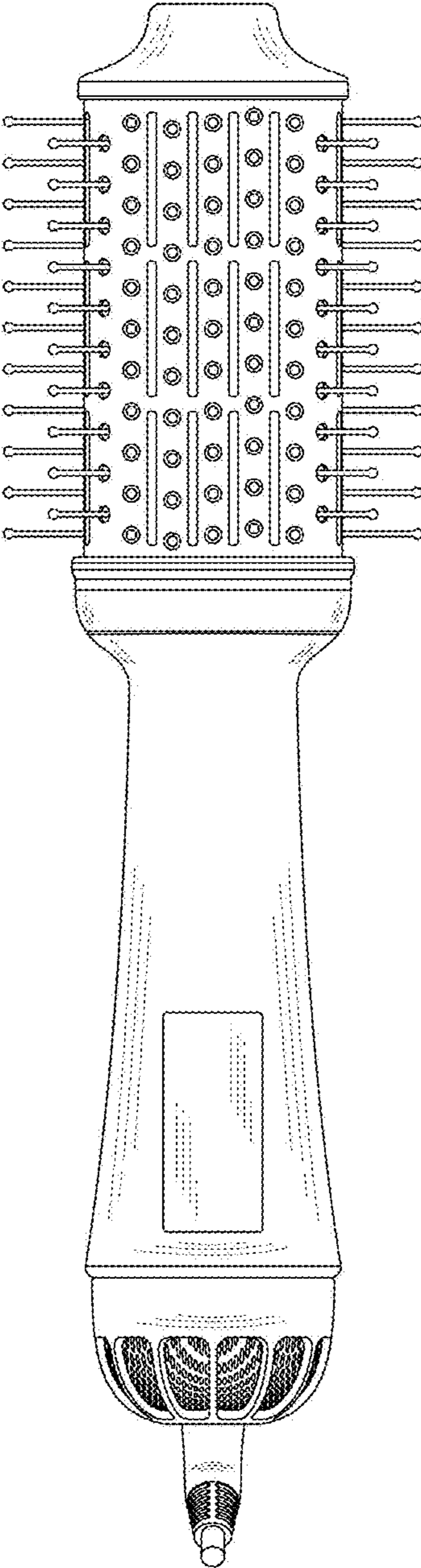


FIG.4

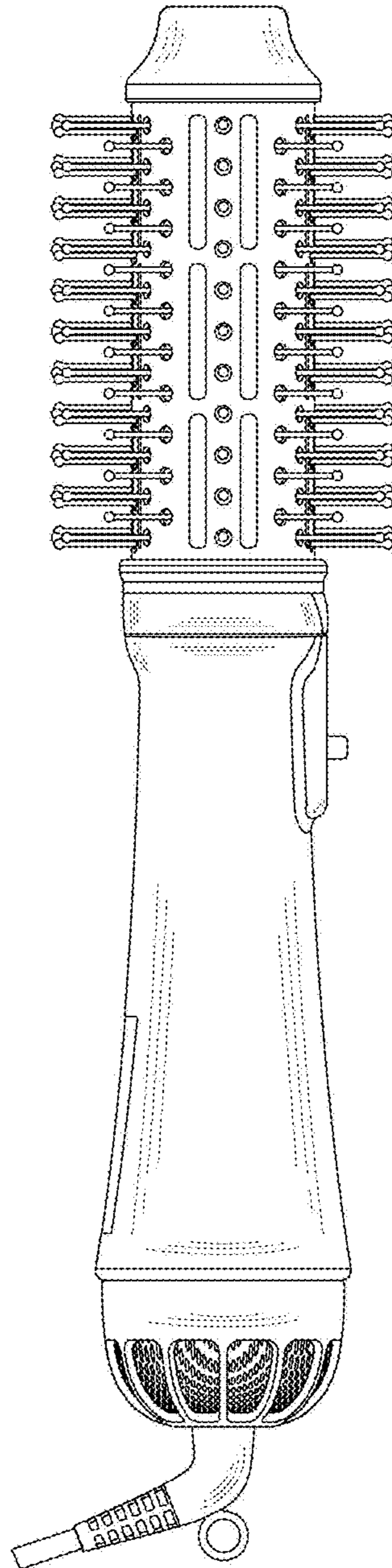


FIG.5

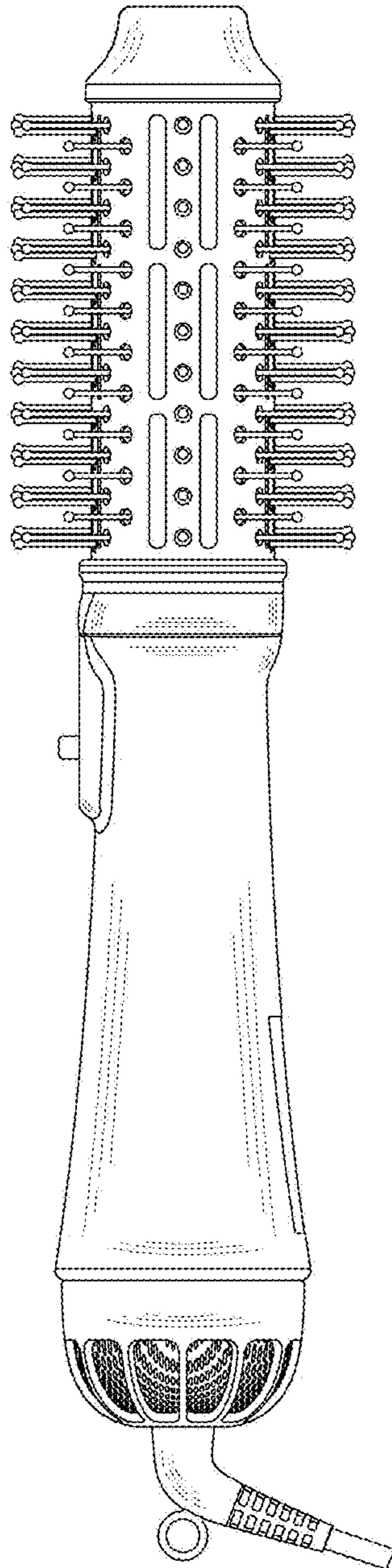


FIG.6

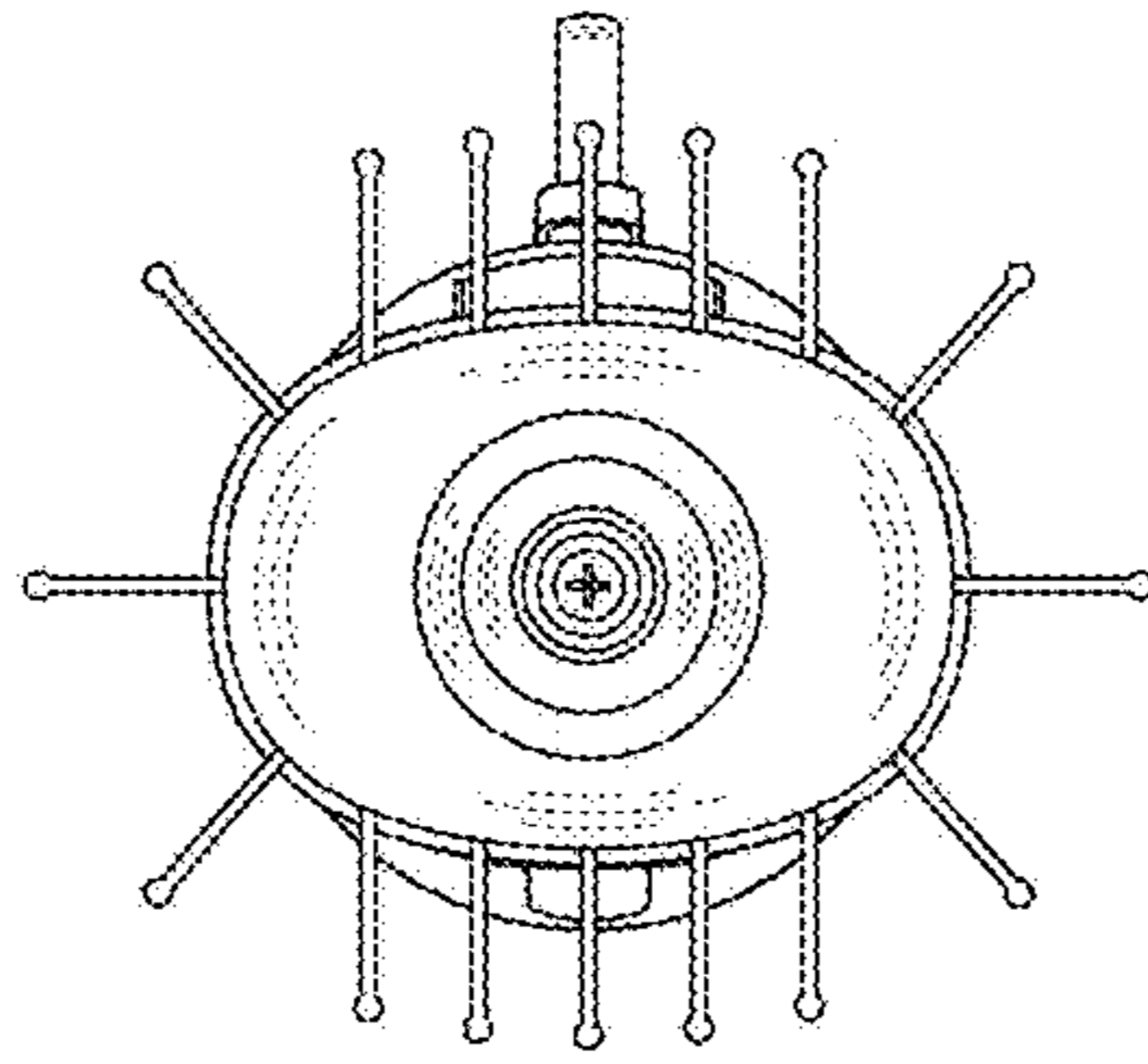


FIG. 7



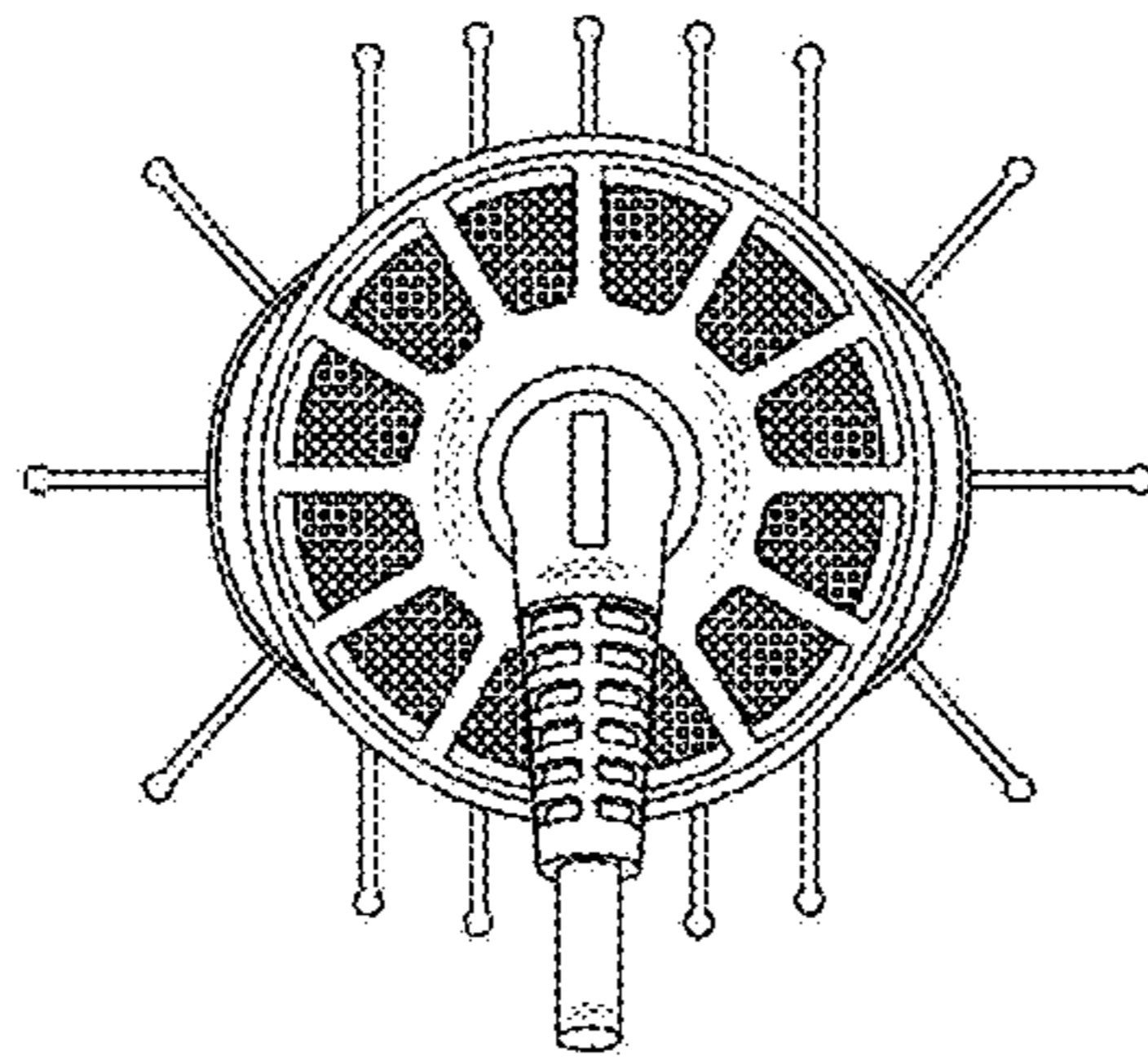


FIG. 8

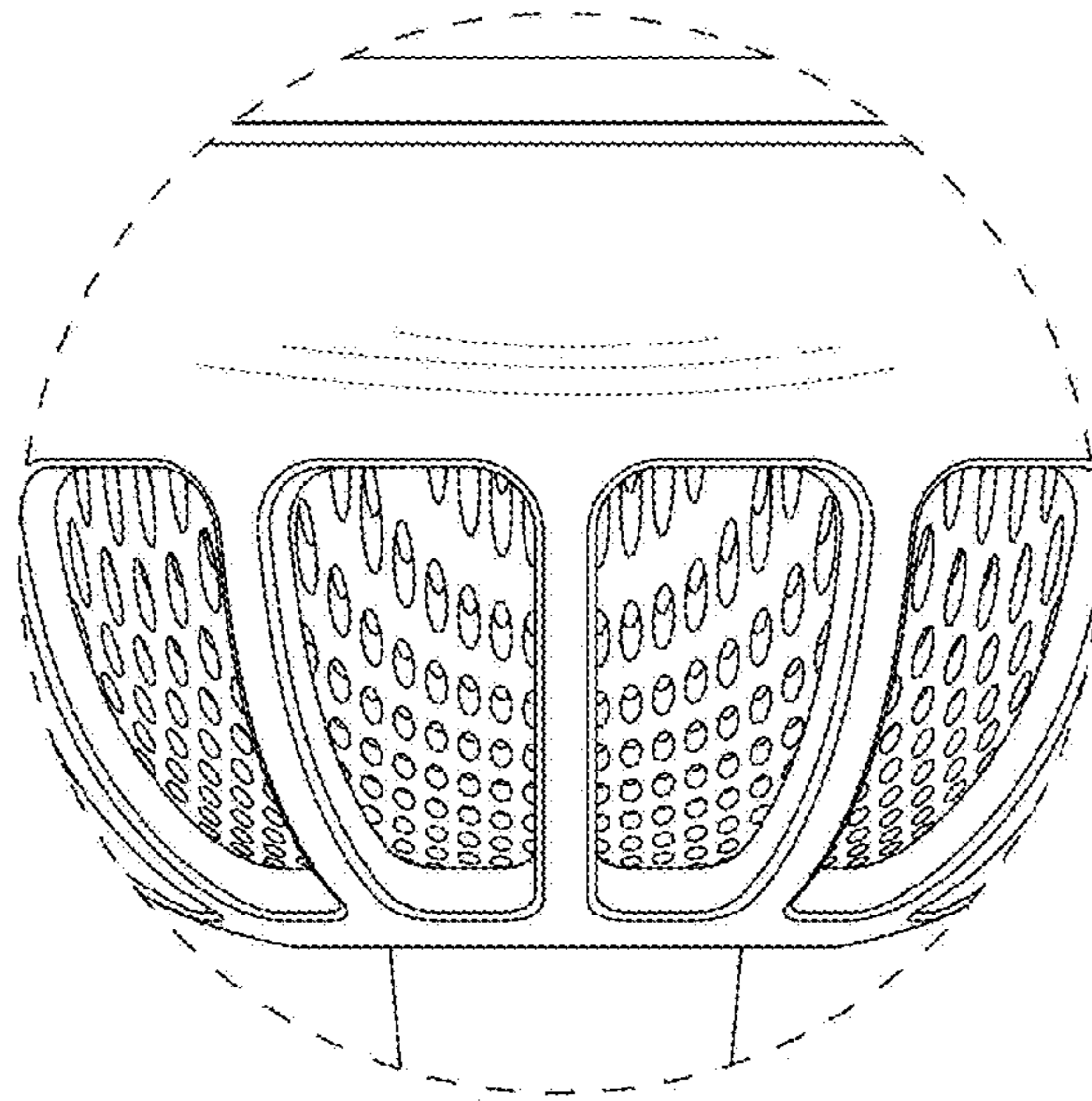


FIG. 9

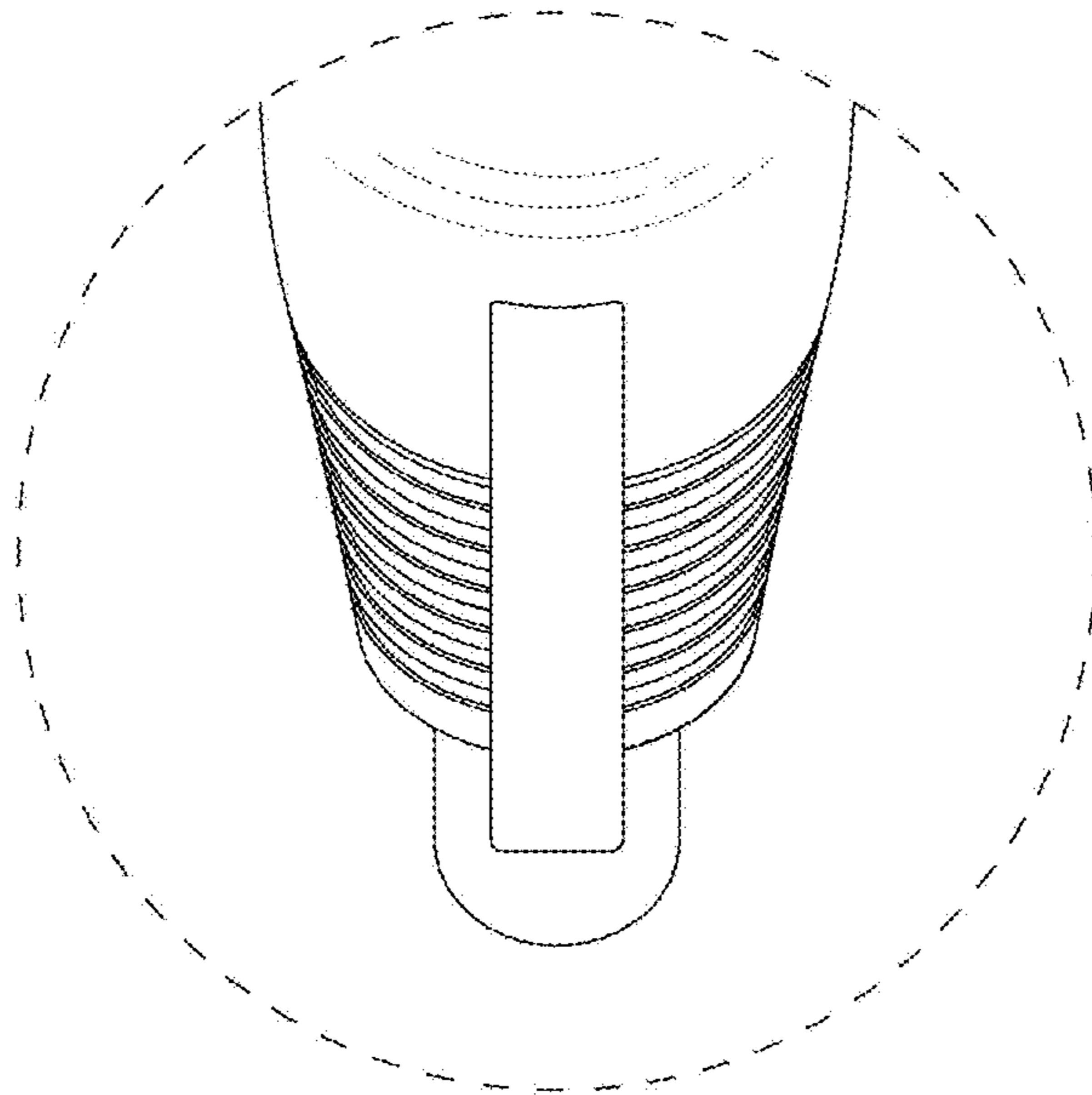


FIG. 10