



US00D951646S

(12) **United States Design Patent**  
**Fujikura**

(10) **Patent No.: US D951,646 S**

(45) **Date of Patent: \*\* \*May 17, 2022**

(54) **BAG**

FOREIGN PATENT DOCUMENTS

(71) Applicant: **KRONGTHIP INC.**, Tokyo (JP)

GB 6046563 \* 10/2018

(72) Inventor: **Kazumi Fujikura**, Tokyo (JP)

OTHER PUBLICATIONS

(73) Assignee: **KRONGTHIP INC.**, Tokyo (JP)

Kylebooker Replacement Shoulder Strap Adjustable for Gun Bag, first available Jul. 26, 2019, amazon.com [online], [site visited Nov. 30, 2021], Available at URL: <https://www.amazon.com/Kylebooker-Replacement-Shoulder-Strap-Adjustable/dp/B07VLMRNXL> (Year: 2019).\*

(\* ) Notice: This patent is subject to a terminal disclaimer.

(\*\*) Term: **15 Years**

(Continued)

(21) Appl. No.: **29/757,584**

*Primary Examiner* — Jeffrey D Asch

(22) Filed: **Nov. 6, 2020**

*Assistant Examiner* — Caitlin A Laverty

(30) **Foreign Application Priority Data**

(74) *Attorney, Agent, or Firm* — Oliff PLC

May 8, 2020 (JP) ..... 2020-009179

(51) **LOC (13) Cl.** ..... **03-01**

(57) **CLAIM**

(52) **U.S. Cl.**  
USPC ..... **D3/327**

The ornamental design for a bag, as shown and described.

(58) **Field of Classification Search**

**DESCRIPTION**

USPC ..... D3/318, 321–324, 327, 232–246, 207;  
D9/434, 443; D11/201; D30/153

CPC .. A44C 5/18; A44C 5/20; A44C 5/185; A45C 1/024; A45C 1/10; A45C 3/00; A45C 3/06; A45C 3/08; A45C 5/00; A45C 5/03; A45C 5/04; A45C 5/14; A45C 13/00; A45C 13/08; A45C 13/10; A45C 13/26; A45C 13/30; A45F 3/02; A45F 3/04; A45F 5/00; A45F 5/10; A45F 5/14; B25H 3/02

See application file for complete search history.

FIG. 1 is a front, right-side, top perspective view of the bag, showing the new design;  
FIG. 2 is a rear, right-side, top perspective view thereof;  
FIG. 3 is a front elevational view thereof;  
FIG. 4 is a rear elevational view thereof;  
FIG. 5 is a top plan view thereof;  
FIG. 6 is a bottom plan view thereof;  
FIG. 7 is a right-side elevational view thereof;  
FIG. 8 is a left-side elevational view thereof;  
FIG. 9 is a perspective view showing the adjustable strap portion disconnected from the bag; and,  
FIG. 10 is a perspective view showing the adjustable strap portion disconnected from the bag.  
The adjustable strap portion is shown individually in FIGS. 9 and 10 to show individual aspects of the overall design. The broken lines depict parts of the bag that form no part of the claimed design.

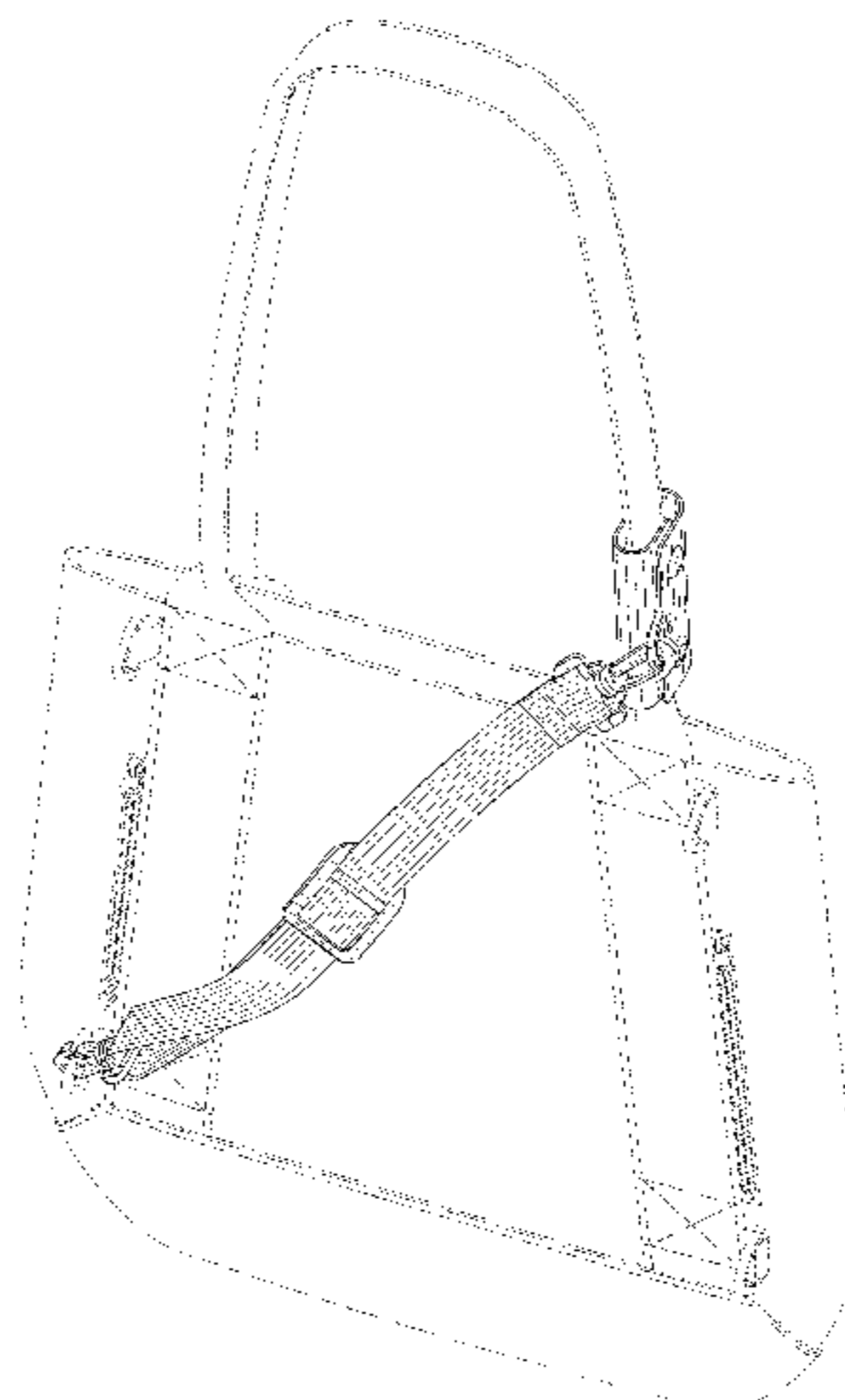
(56) **References Cited**

U.S. PATENT DOCUMENTS

- D237,760 S \* 11/1975 Woods ..... D29/122
- D293,043 S \* 12/1987 Zamboni ..... D11/215
- D359,836 S \* 7/1995 Shuler ..... D29/101.5
- D371,942 S \* 7/1996 Lippincott ..... D7/607
- D381,805 S \* 8/1997 Case ..... D3/229
- D386,310 S \* 11/1997 Smith ..... D3/327

(Continued)

**1 Claim, 10 Drawing Sheets**



(56)

**References Cited**

U.S. PATENT DOCUMENTS

D392,510 S *	3/1998	Perez	D7/605
D419,294 S *	1/2000	Wang	D3/255
D479,554 S *	9/2003	Boron	D17/20
D513,034 S *	12/2005	Boron	D17/20
D570,603 S *	6/2008	Wu	D3/327
D646,895 S *	10/2011	Nolan	A45F 3/14 D3/327
D699,002 S *	2/2014	Connolly	D28/73
D880,866 S *	4/2020	Fujikura	D3/327
D880,867 S *	4/2020	Fusi	D3/327
D917,172 S *	4/2021	Dumas	A44C 5/18 D3/327
11,172,752 B2 *	11/2021	Dow	A45F 3/02
D943,279 S *	2/2022	Weber	D3/327
2010/0078451 A1 *	4/2010	Mount	B65D 81/3879 224/148.3

2010/0258576 A1 *	10/2010	Marquez	A45C 13/02 220/737
2013/0168428 A1 *	7/2013	Fujikura	A45C 3/04 224/626
2018/0098607 A1 *	4/2018	Seiders	A45C 5/08
2019/0261754 A1 *	8/2019	Fujikura	A45C 3/00
2021/0370159 A1 *	12/2021	Welsh	A45C 13/30

OTHER PUBLICATIONS

DEVPSISR Wide Shoulder Purse Strap Replacement . . . , first available Oct. 5, 2019, amazon.com [site visited Nov. 30, 2021], Available at URL: <https://www.amazon.com/dp/B08HVKG327/> (Year: 2019).\*

Fixtote フェイックストート video, YouTube user Krongthip Inc., video posted Sep. 4, 2019, youtube.com [online], [site visited Nov. 30, 2021], Available at URL: <https://www.youtube.com/watch?v=Ayc6T5qAXjg> (Year: 2019).\*

\* cited by examiner

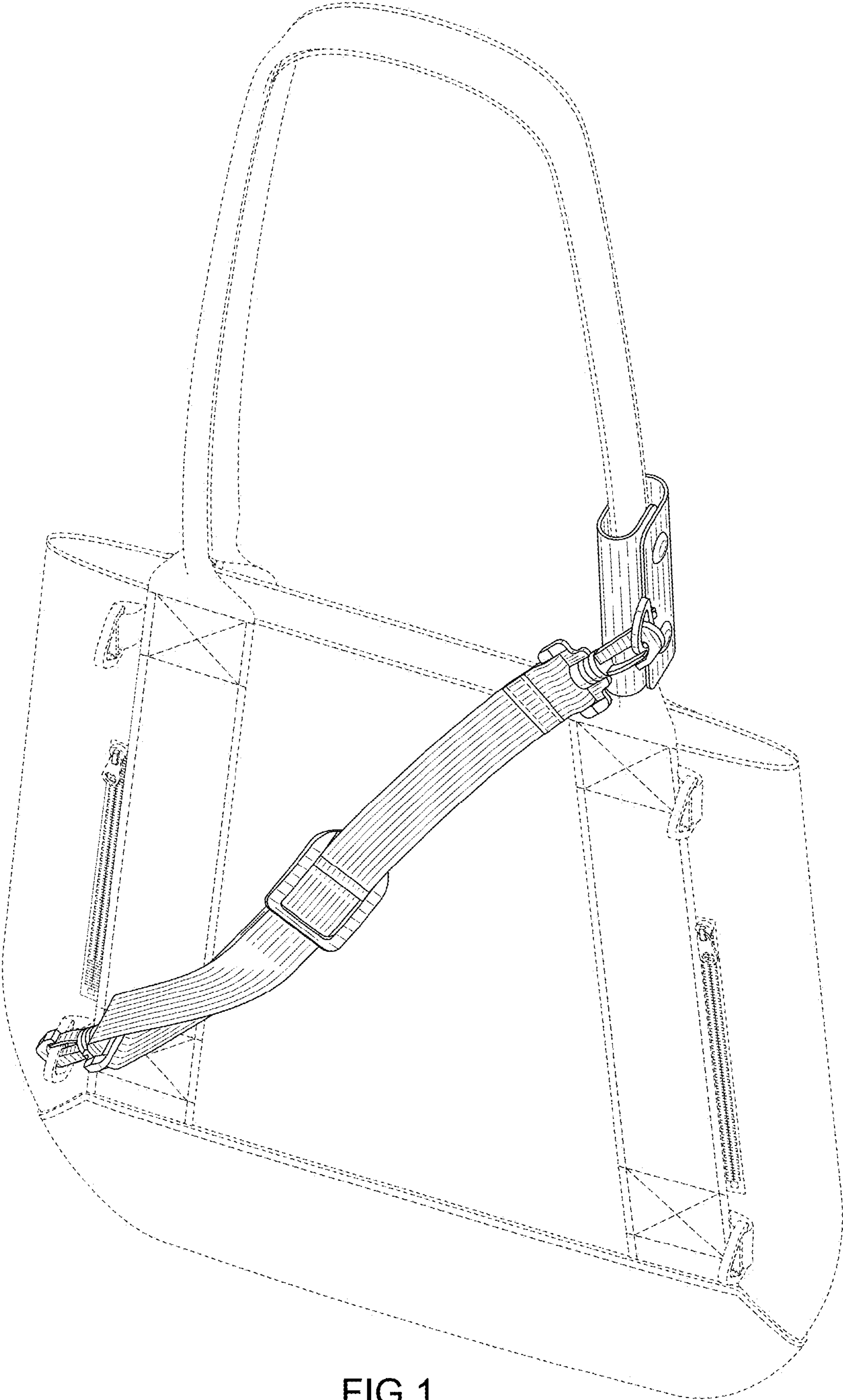


FIG.1

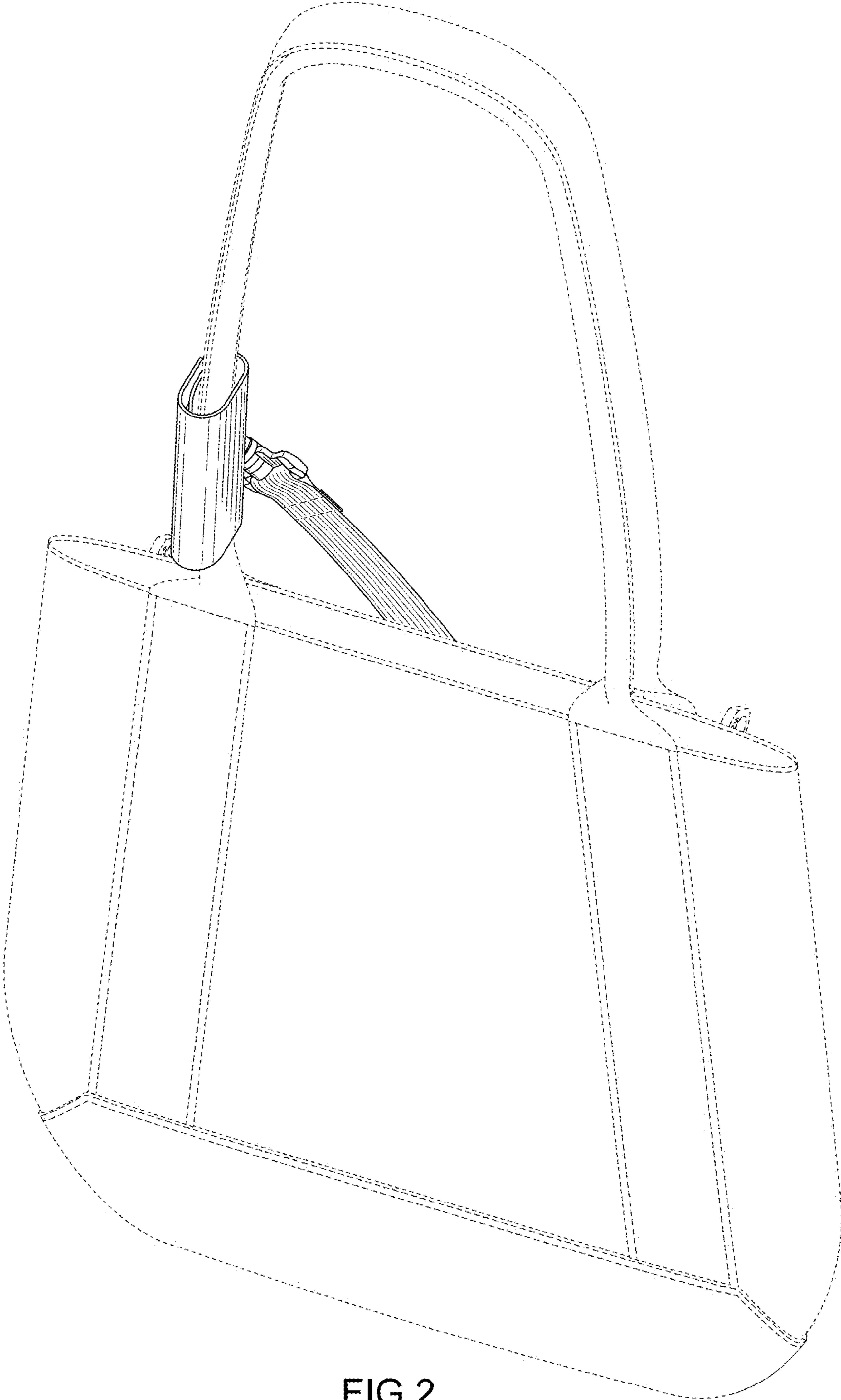


FIG.2

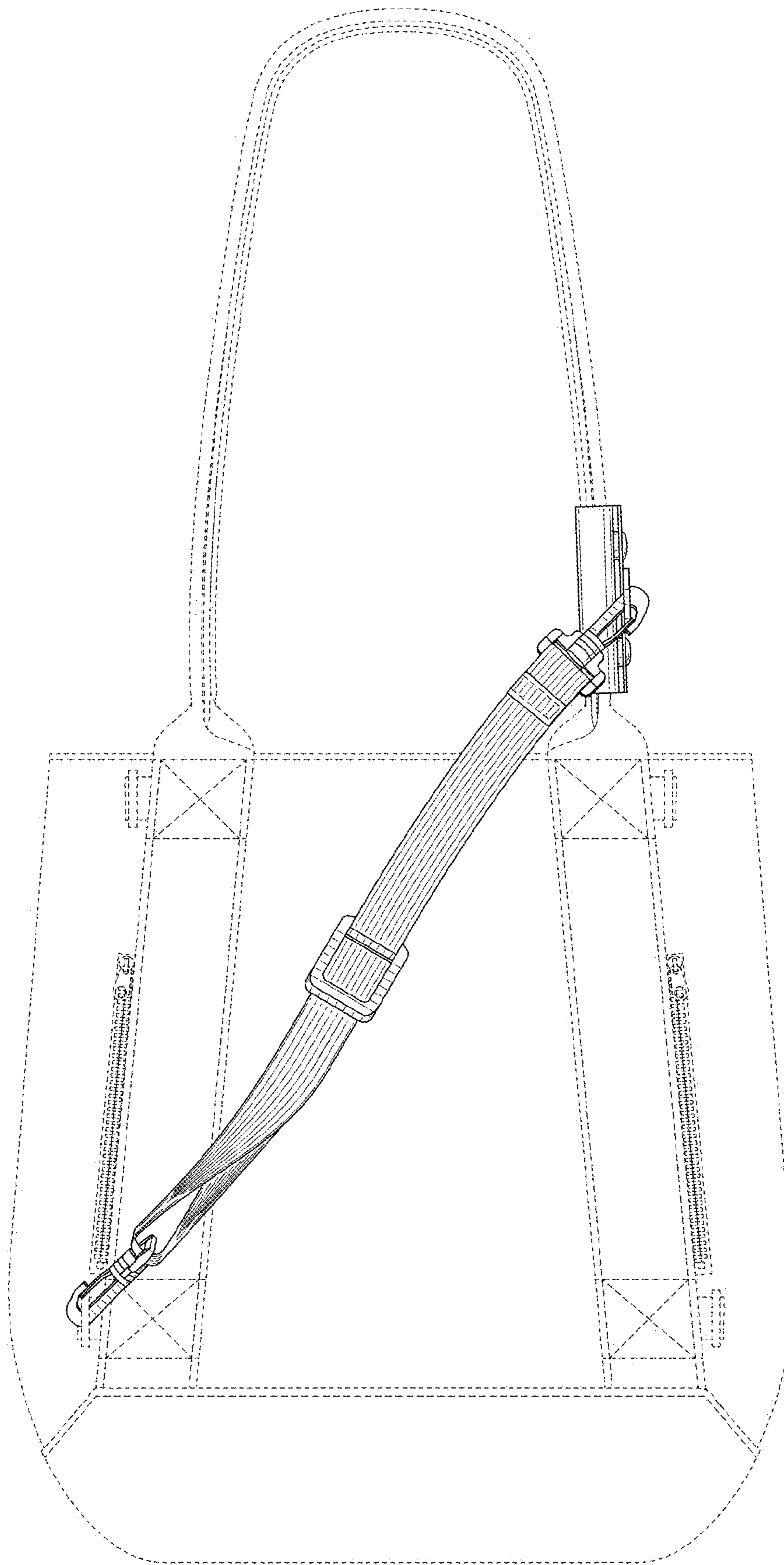


FIG.3

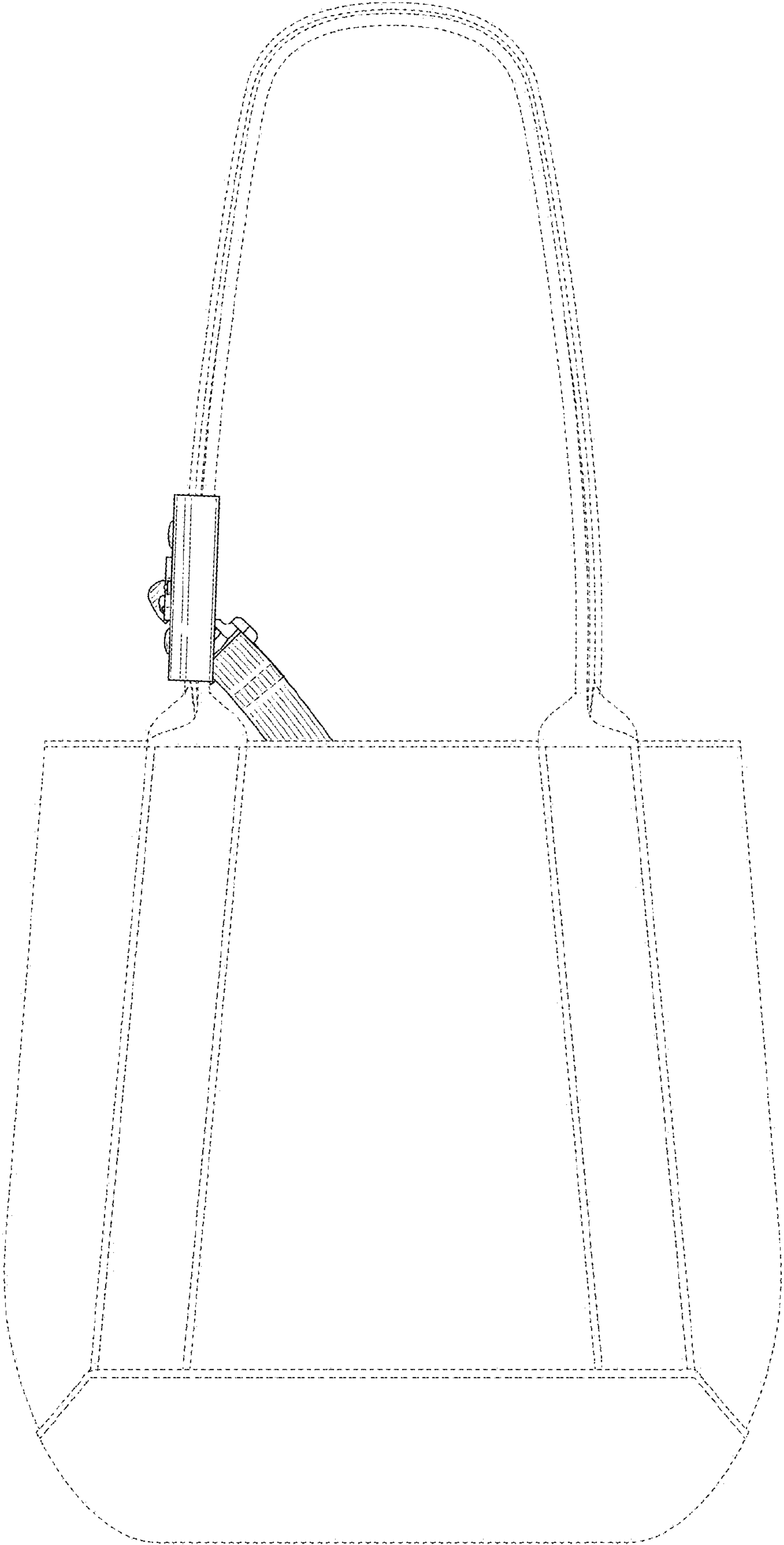


FIG.4

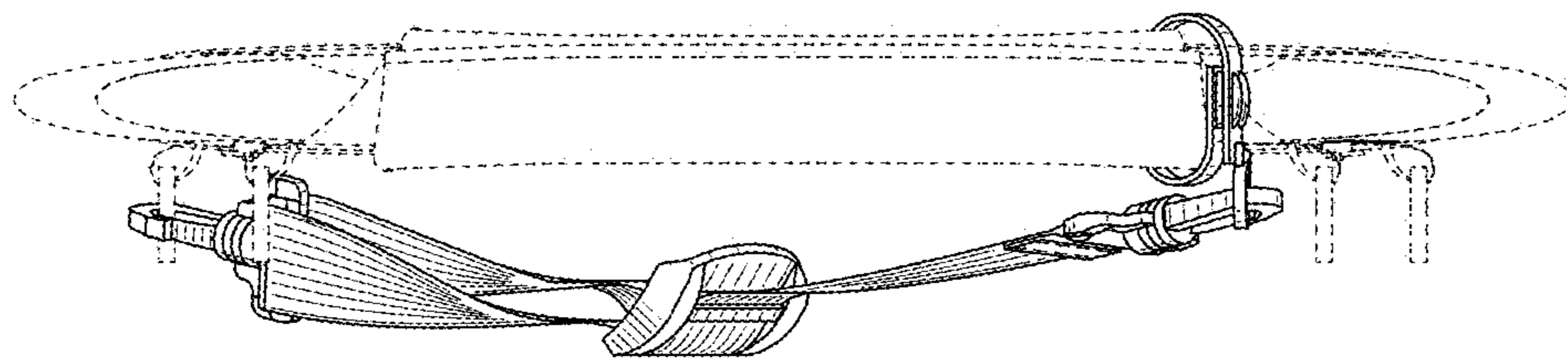


FIG.5

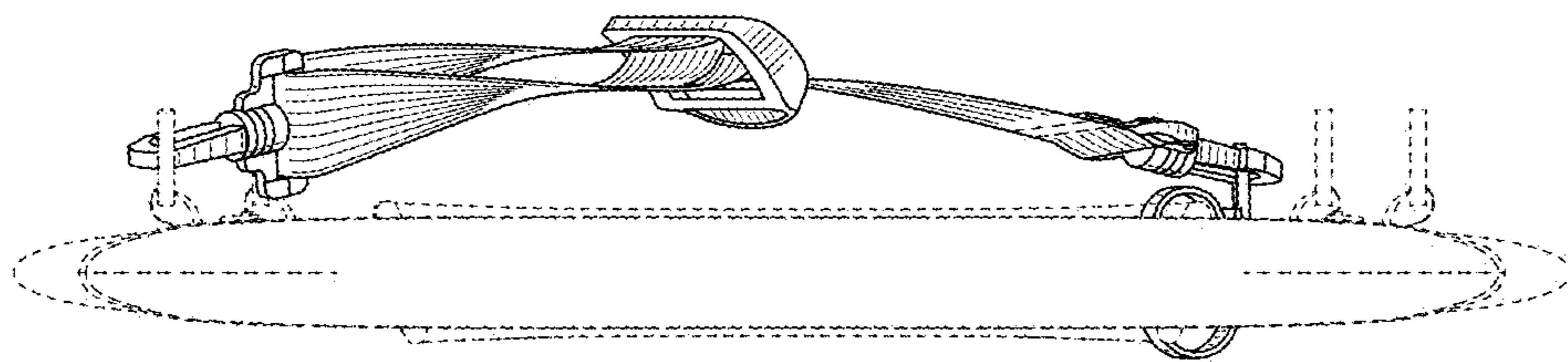


FIG.6



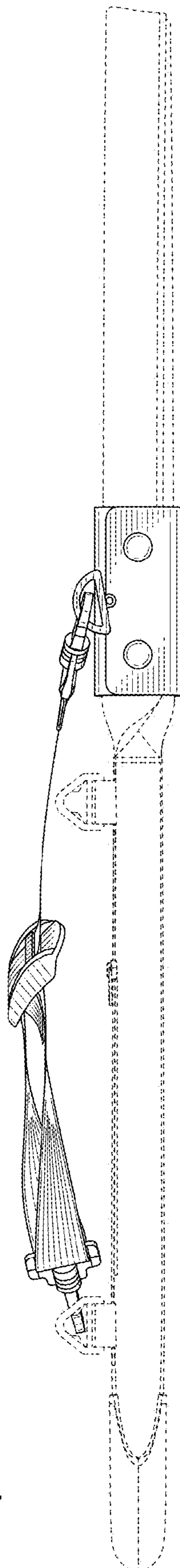


FIG.7

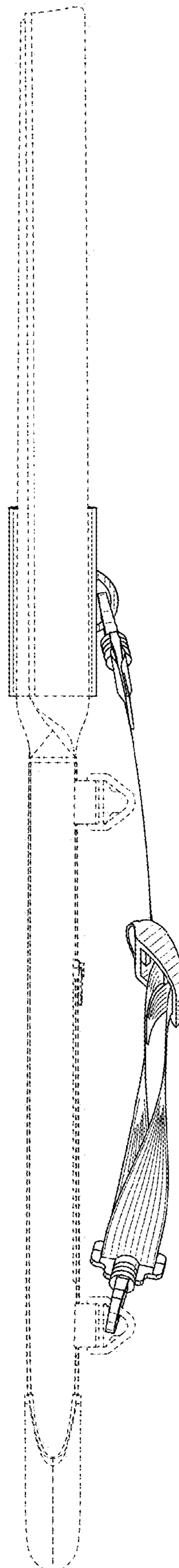


FIG.8

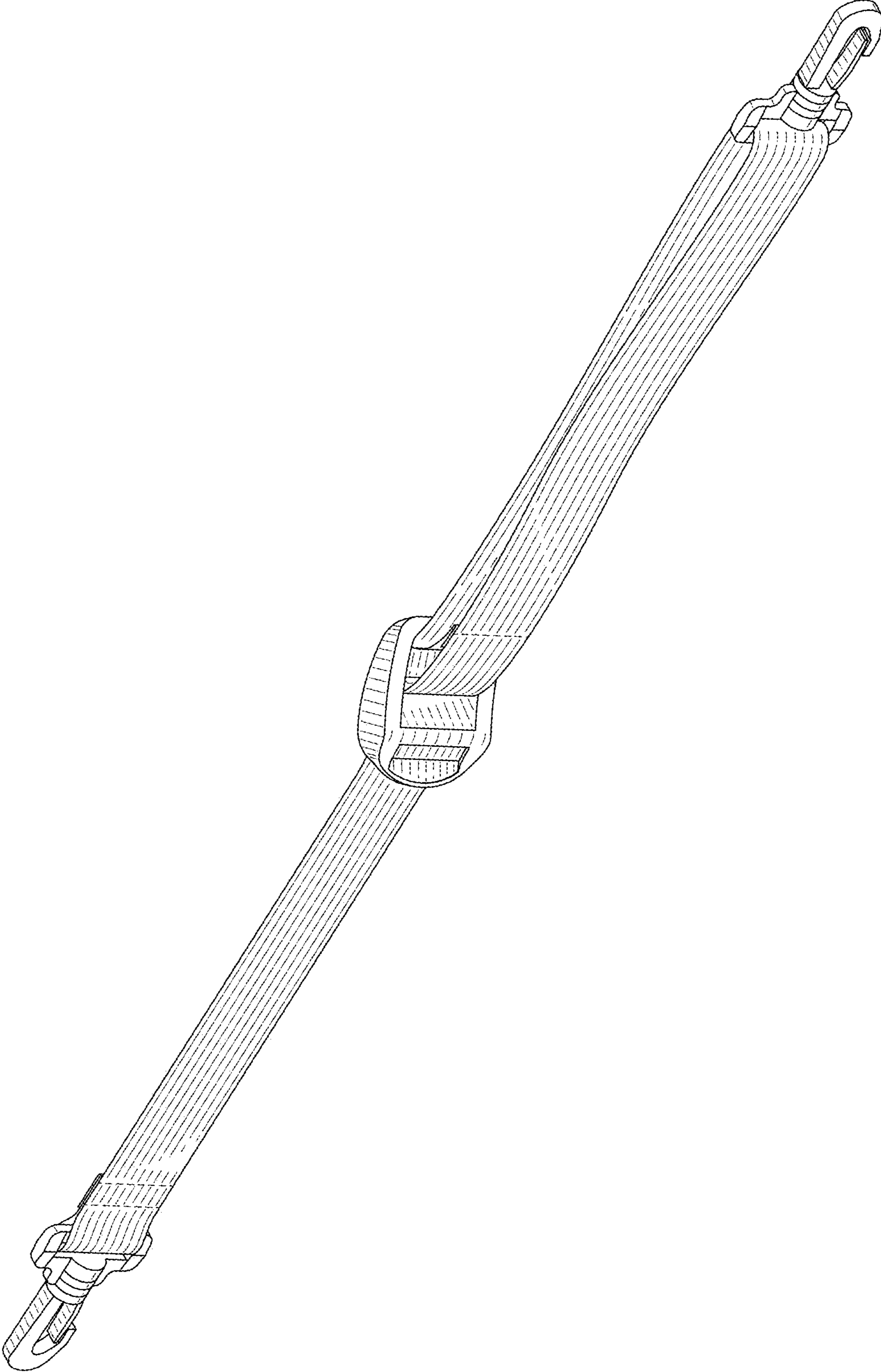


FIG. 9

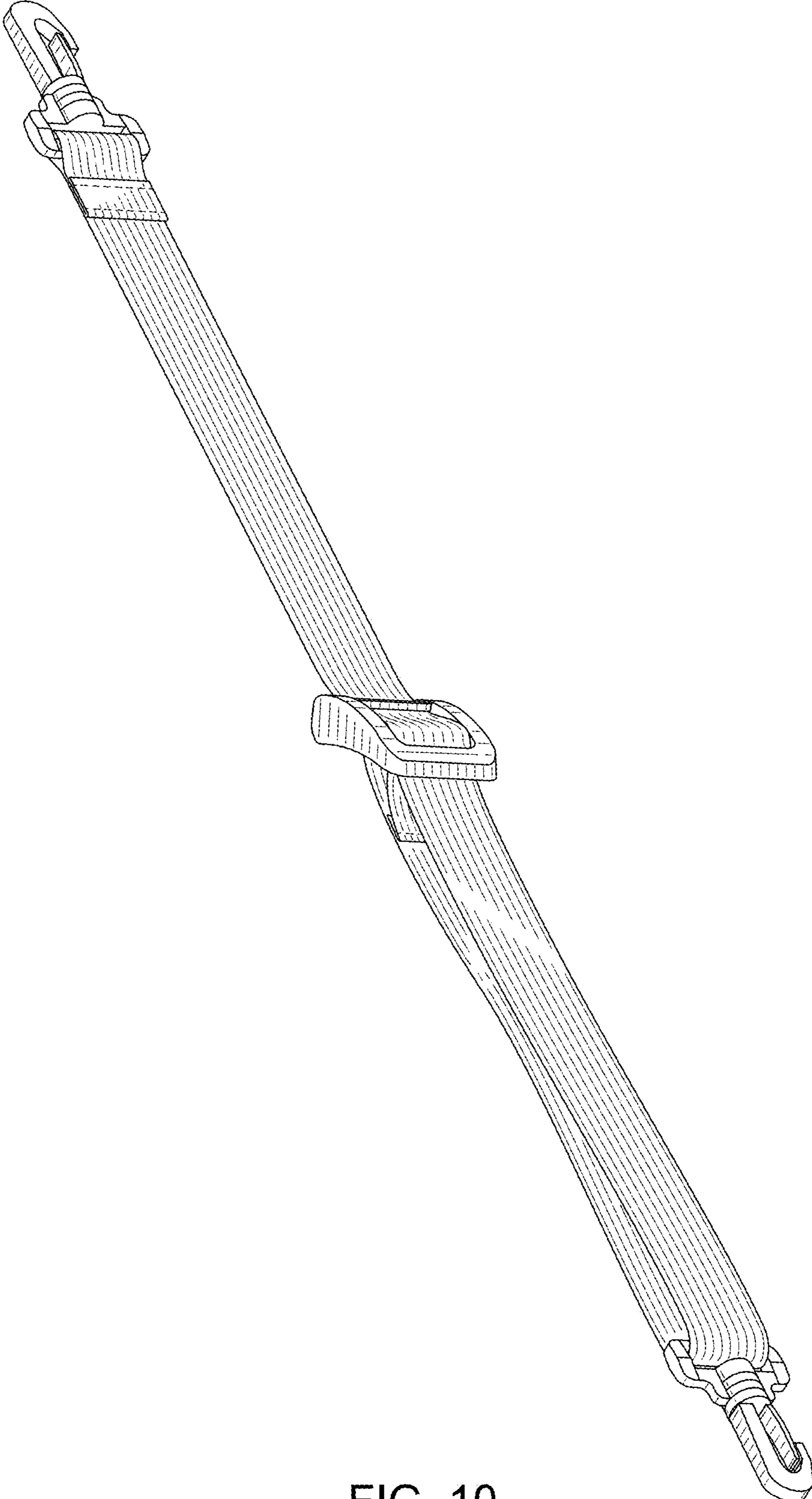


FIG. 10