



US00D951639S

(12) **United States Design Patent**
Zhang

(10) **Patent No.:** **US D951,639 S**

(45) **Date of Patent:** **** May 17, 2022**

(54) **CONTAINER**

(71) Applicant: **Siduo Zhang**, Guangdong (CN)

(72) Inventor: **Siduo Zhang**, Guangdong (CN)

(73) Assignee: **GUANGZHOU BAOMEI NETWORK TECHNOLOGY CO., LTD.**, Guangzhou (CN)

(**) Term: **15 Years**

(21) Appl. No.: **29/781,511**

(22) Filed: **Apr. 30, 2021**

(51) **LOC (13) Cl.** **03-01**

(52) **U.S. Cl.**
USPC **D3/304**

(58) **Field of Classification Search**
USPC D6/672, 675; D3/304, 314, 315;
D19/75, 95
CPC ... B65D 1/00; B65D 1/22; B65D 1/26; B65D
21/00

See application file for complete search history.

(56) **References Cited**

U.S. PATENT DOCUMENTS

D251,480 S * 4/1979 Cherry D3/314
D596,857 S * 7/2009 Ahlgrim D3/307

D753,918 S * 4/2016 Lindsay D3/304
D804,758 S * 12/2017 Luburic D32/53
D805,776 S * 12/2017 Shamp D3/304
D871,070 S * 12/2019 Bakker D3/304
D913,794 S 3/2021 Vlahakis-Hanks et al.
D914,457 S 3/2021 Chao et al.
D914,494 S 3/2021 O'Malley
D920,612 S * 5/2021 Luburic D32/53

* cited by examiner

Primary Examiner — Kelley A Donnelly

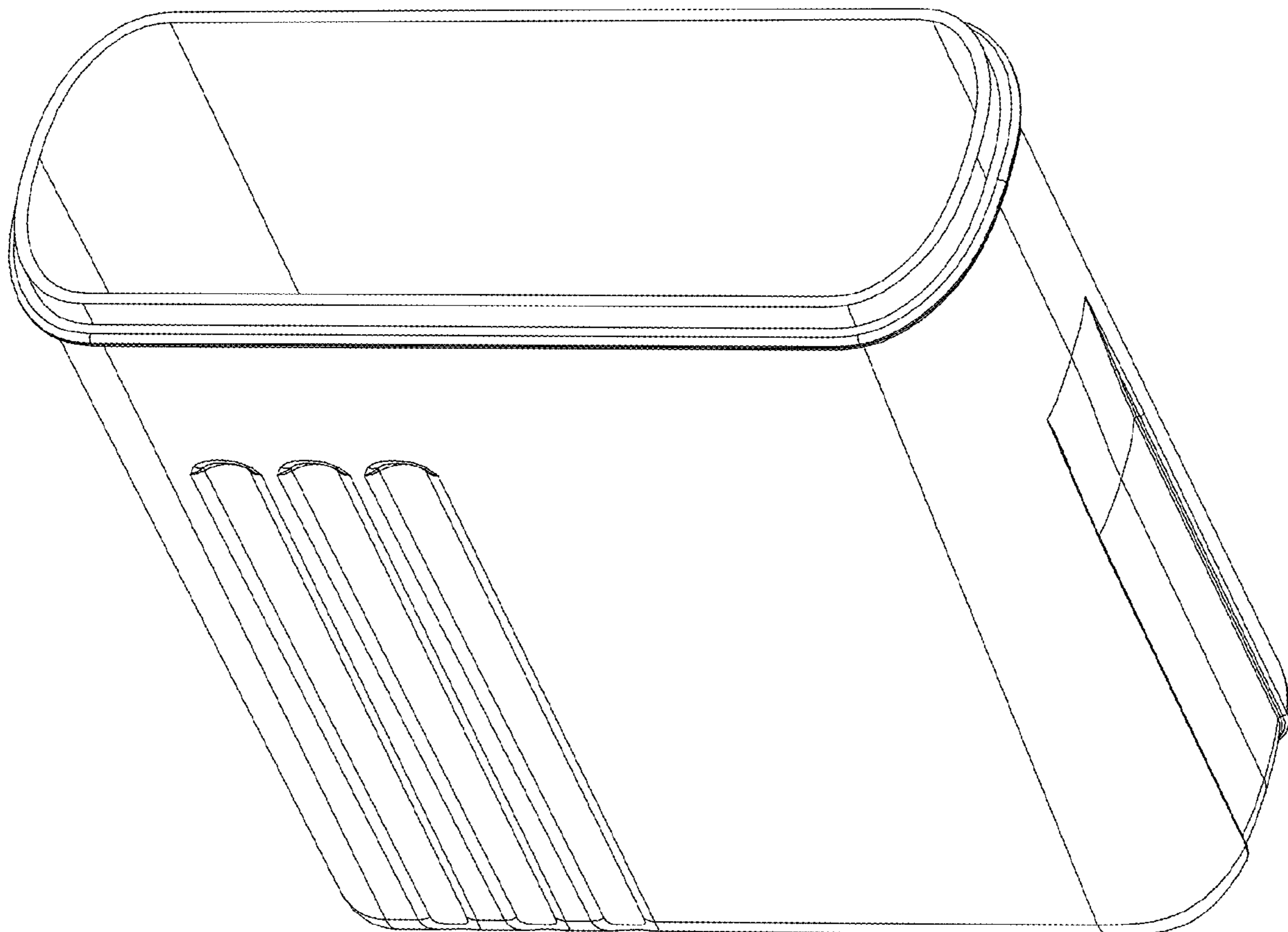
(57) **CLAIM**

The ornamental design for a container, as shown and described.

DESCRIPTION

FIG. 1 is a top, front, left side perspective view of a container showing my new design;
FIG. 2 is a bottom, rear, right side perspective view thereof;
FIG. 3 is a front elevation view thereof;
FIG. 4 is a rear elevation view thereof;
FIG. 5 is a side elevation view thereof, the view from the other side being a mirror image of the side elevation view;
FIG. 6 is an enlarged top plan view thereof; and,
FIG. 7 is an enlarged bottom plan view thereof.

1 Claim, 6 Drawing Sheets



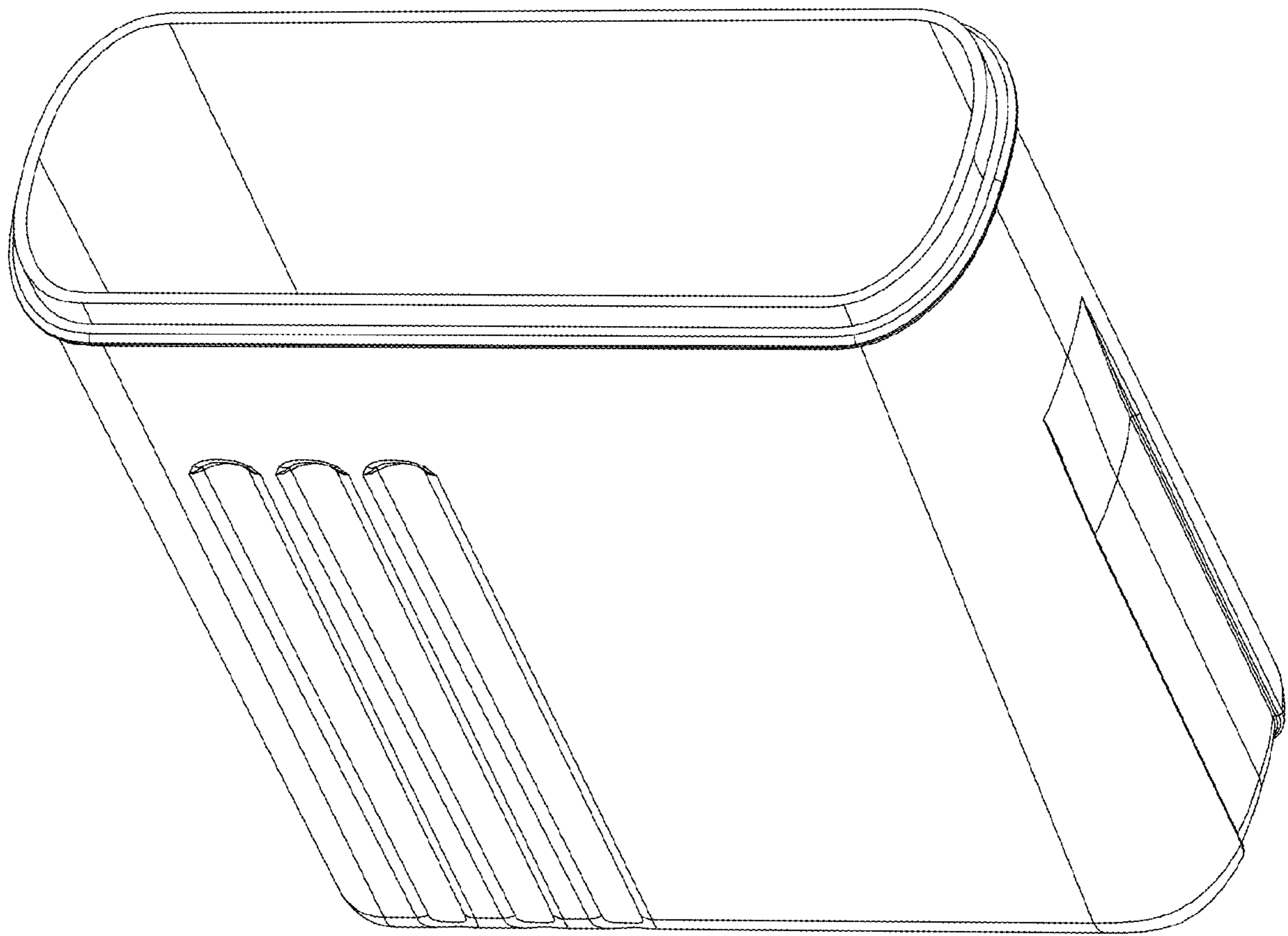


FIG.1

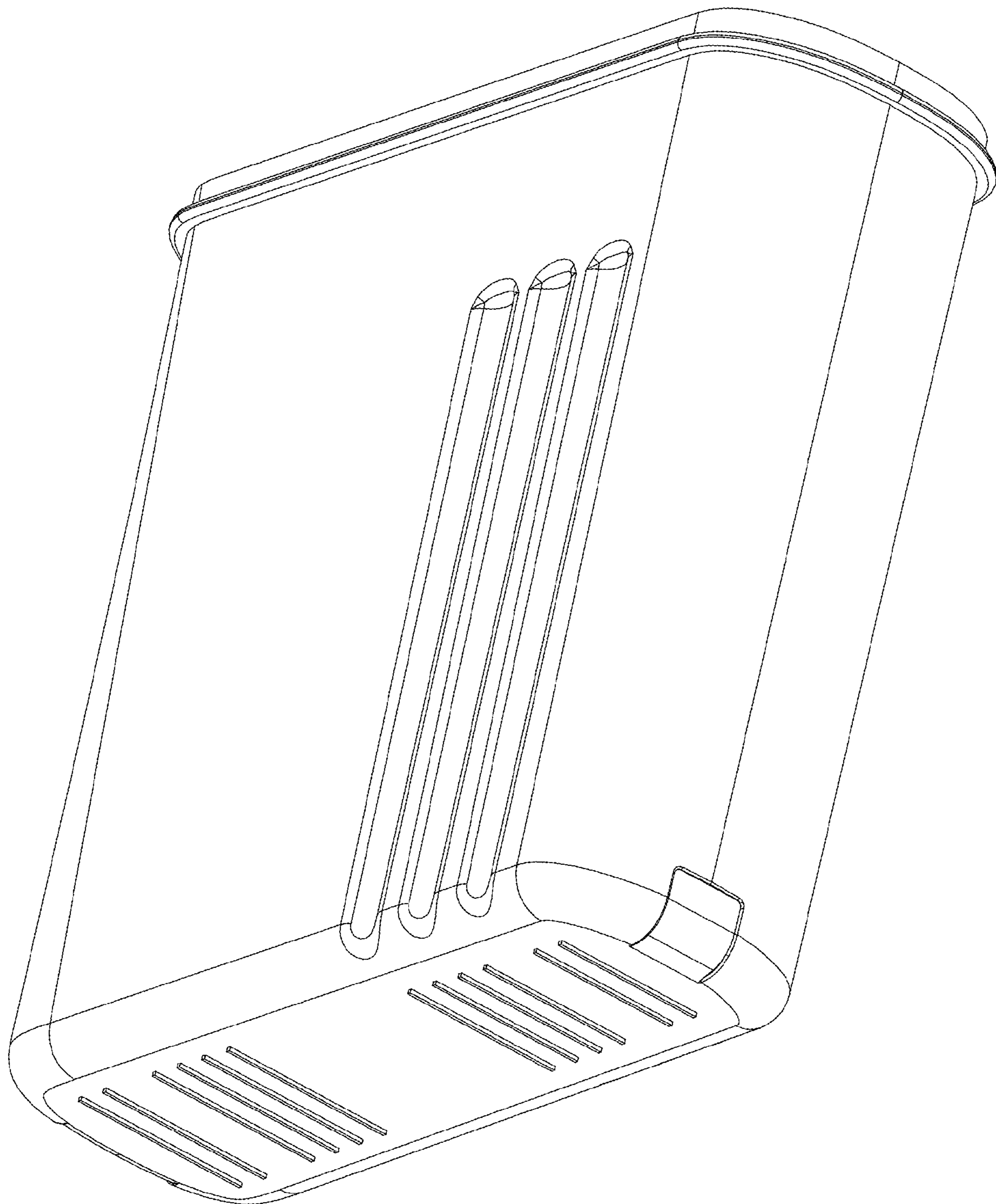


FIG.2

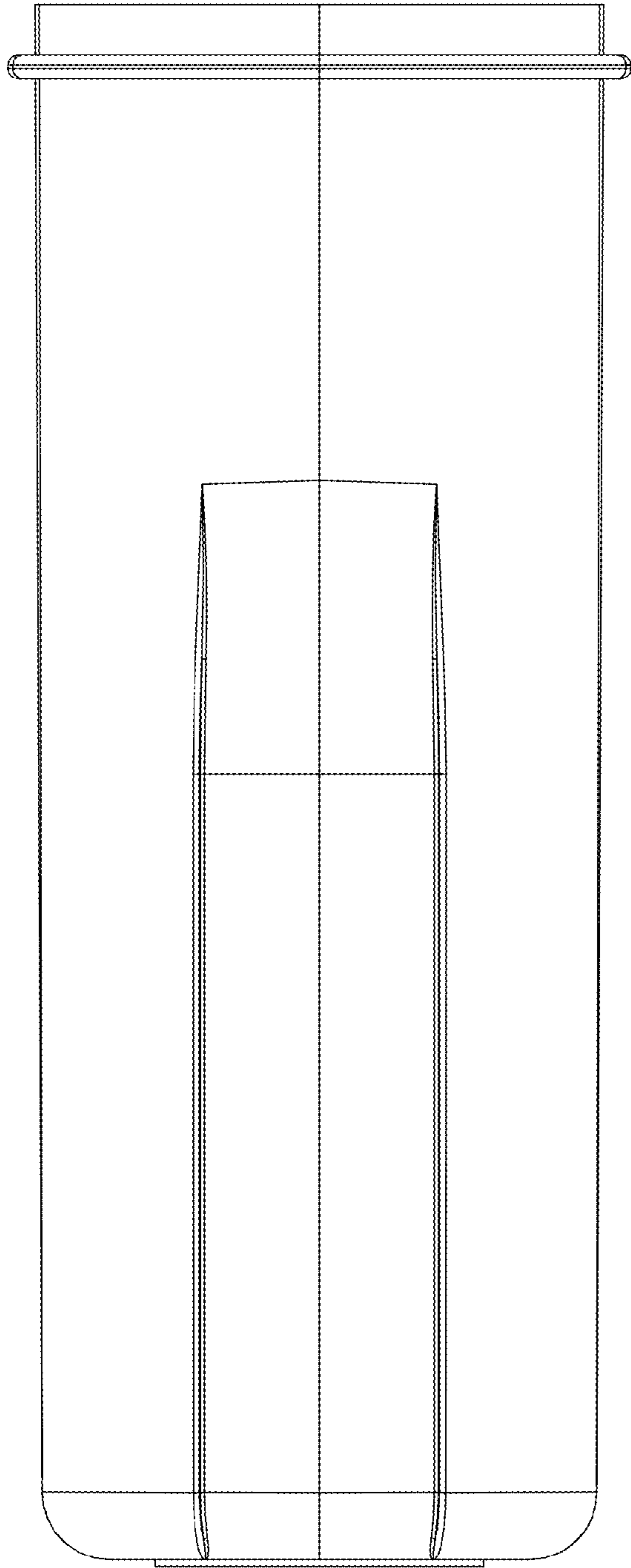


FIG.3

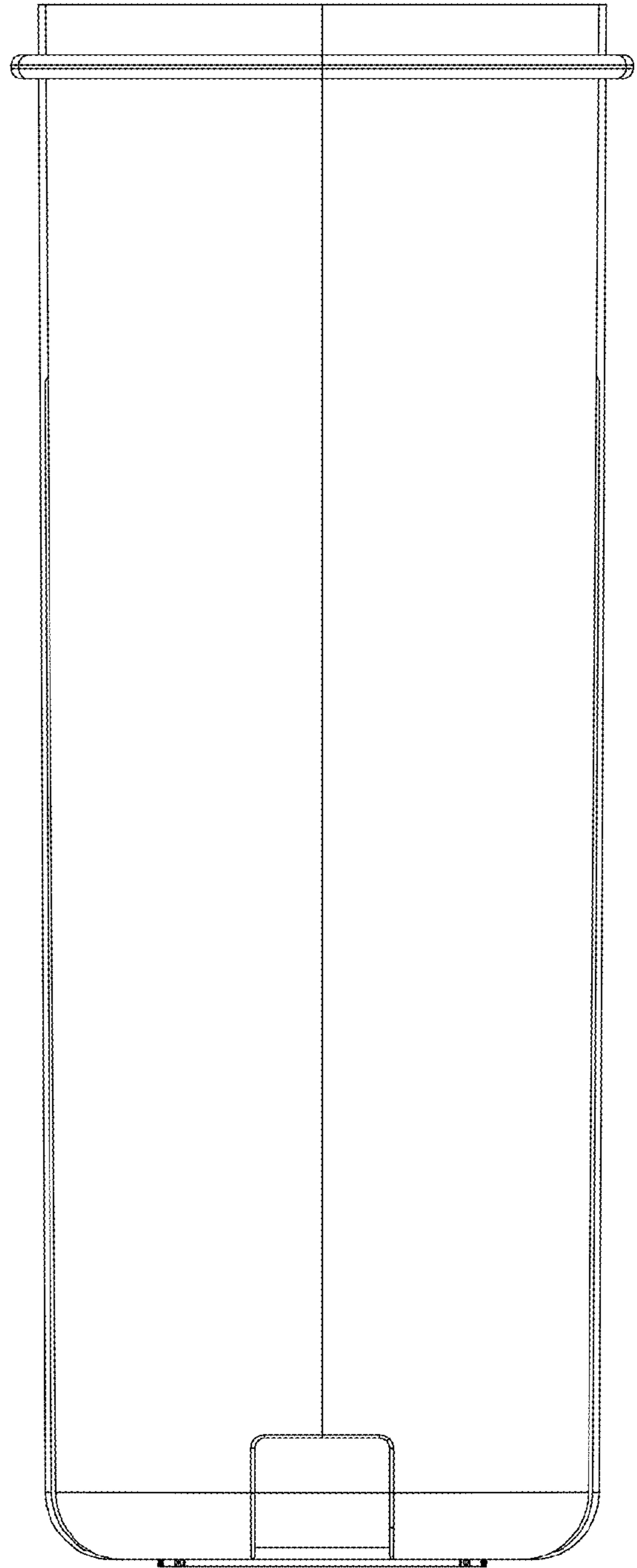


FIG.4

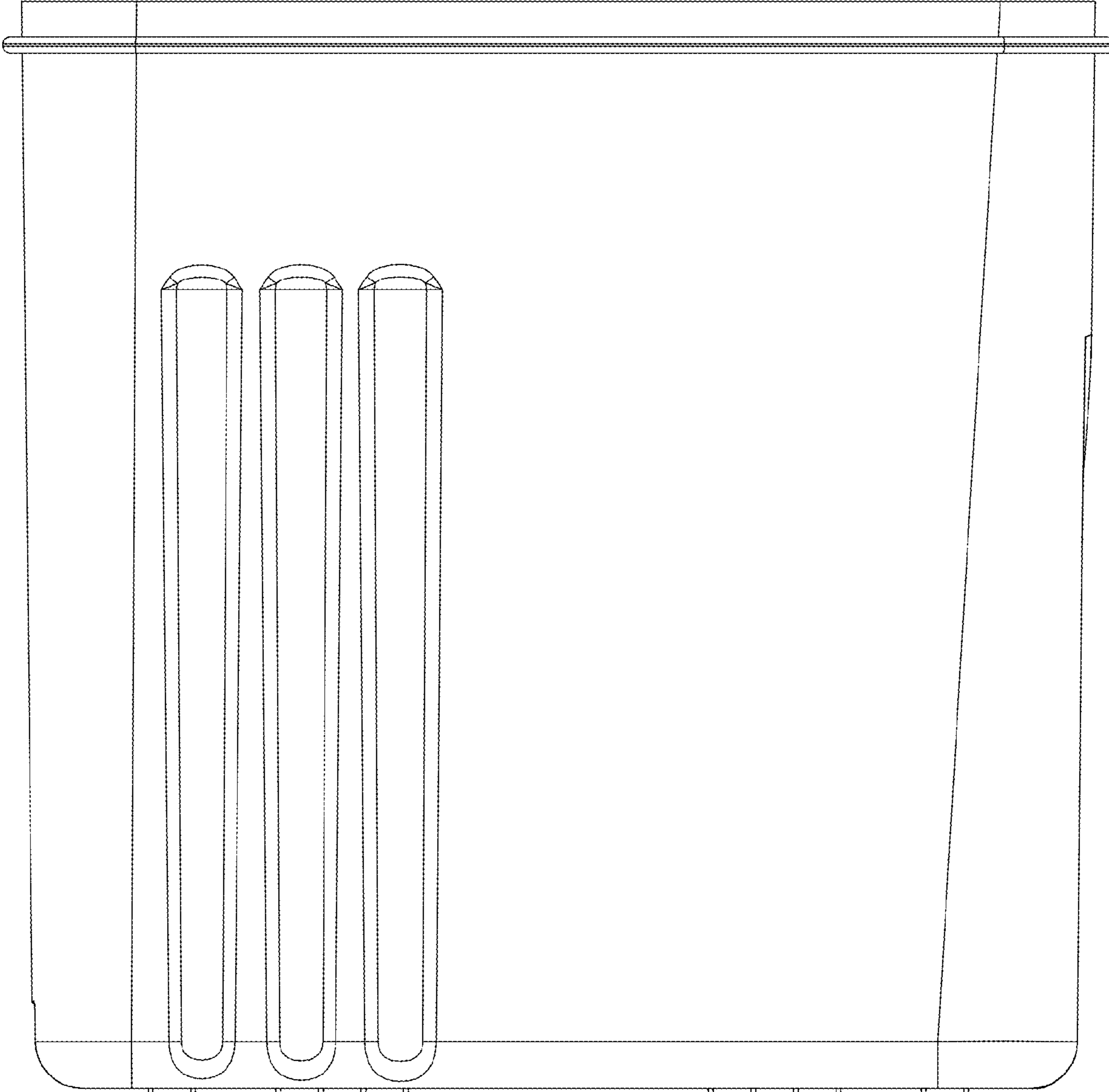


FIG.5

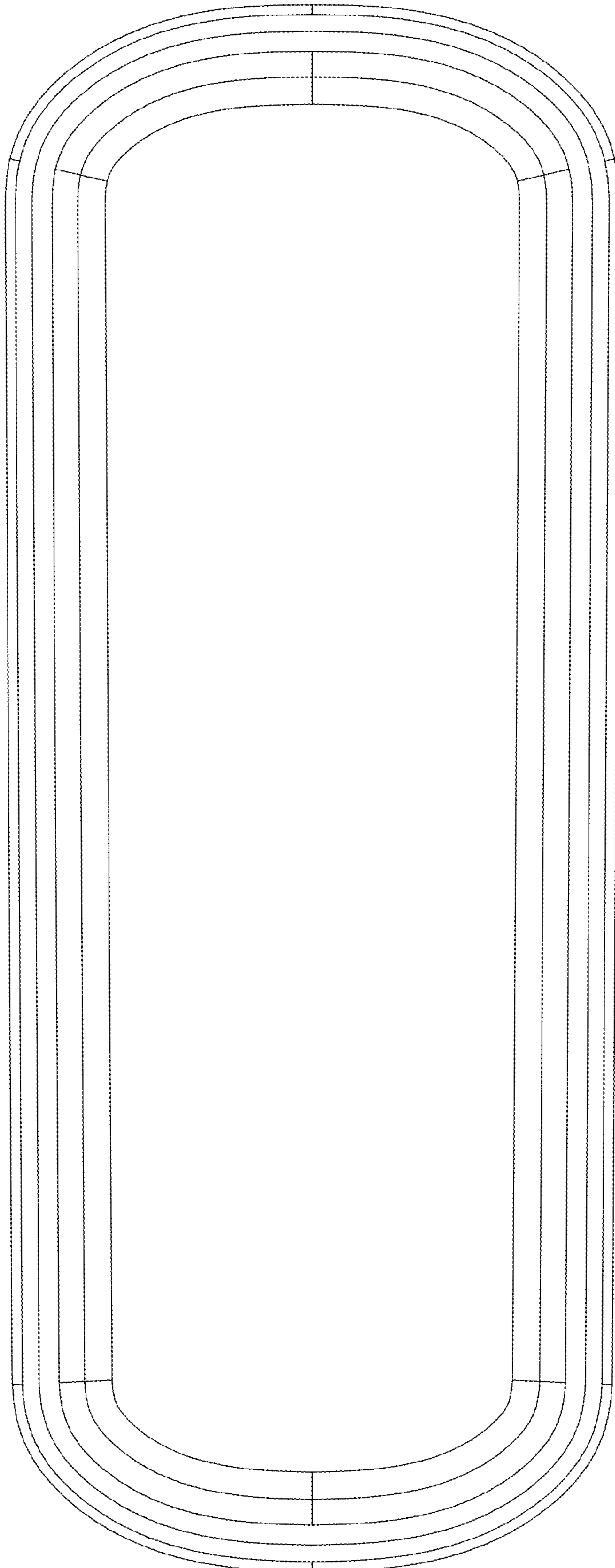


FIG.6

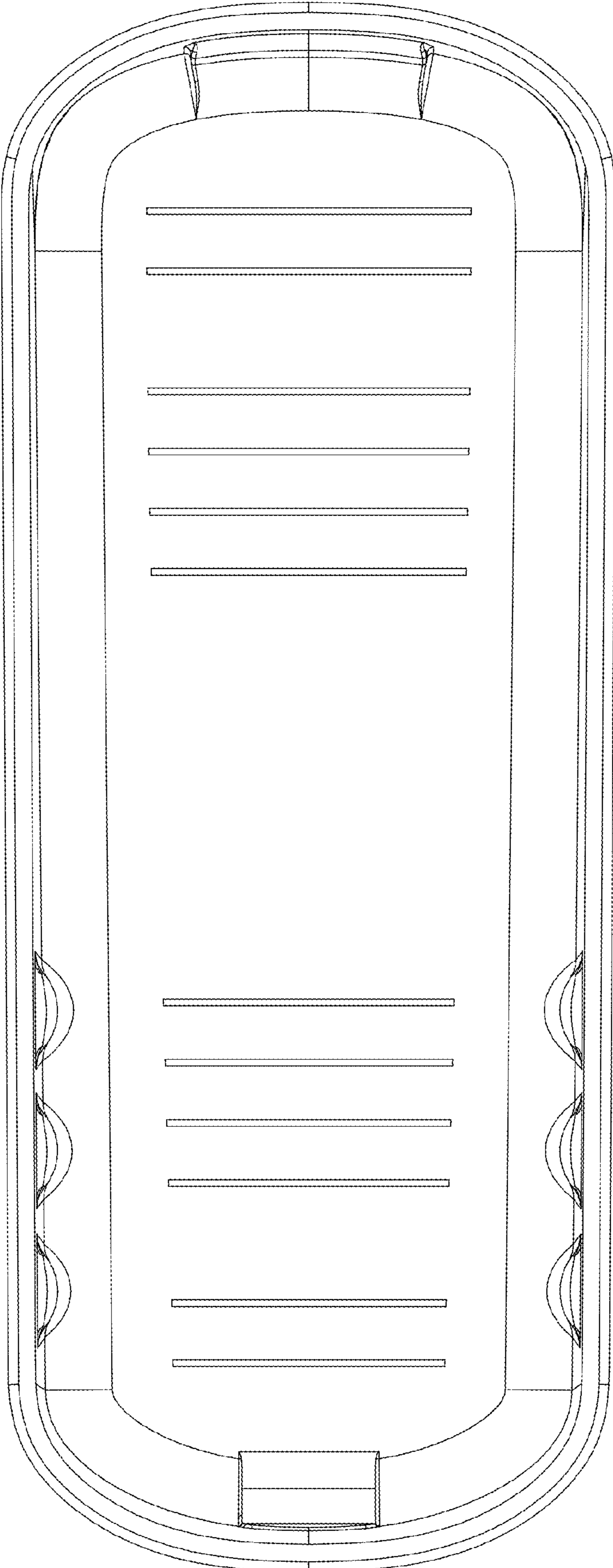


FIG.7