



US00D951638S

(12) **United States Design Patent**  
**Zhang**

(10) **Patent No.:** **US D951,638 S**

(45) **Date of Patent:** **\*\* May 17, 2022**

(54) **CONTAINER**

(71) Applicant: **Siduo Zhang**, Guangdong (CN)

(72) Inventor: **Siduo Zhang**, Guangdong (CN)

(73) Assignee: **GUANGZHOU BAOMEI NETWORK TECHNOLOGY CO., LTD.**, Guangzhou (CN)

(\*\*) Term: **15 Years**

(21) Appl. No.: **29/779,283**

(22) Filed: **Apr. 19, 2021**

(51) **LOC (13) Cl.** ..... **03-01**

(52) **U.S. Cl.**  
USPC ..... **D3/304**

(58) **Field of Classification Search**  
USPC ..... D6/672, 675; D3/304, 314, 315;  
D19/75, 95  
CPC ... B65D 1/00; B65D 1/22; B65D 1/26; B65D  
21/00  
See application file for complete search history.

(56) **References Cited**

**U.S. PATENT DOCUMENTS**

D235,621 S \* 7/1975 Cawrse ..... D9/425  
D295,093 S \* 4/1988 Tapdrup ..... D32/53

D435,654 S \* 12/2000 Gaba ..... D24/131  
D596,857 S \* 7/2009 Ahlgrim ..... D3/307  
D753,918 S \* 4/2016 Lindsay ..... D3/304  
D901,255 S \* 11/2020 Samartgis ..... D7/630  
D903,322 S \* 12/2020 Zhang ..... D3/304  
D913,794 S 3/2021 Vlahakis-Hanks et al.  
D914,457 S 3/2021 Chao et al.  
D914,494 S 3/2021 O'Malley

\* cited by examiner

*Primary Examiner* — Kelley A Donnelly

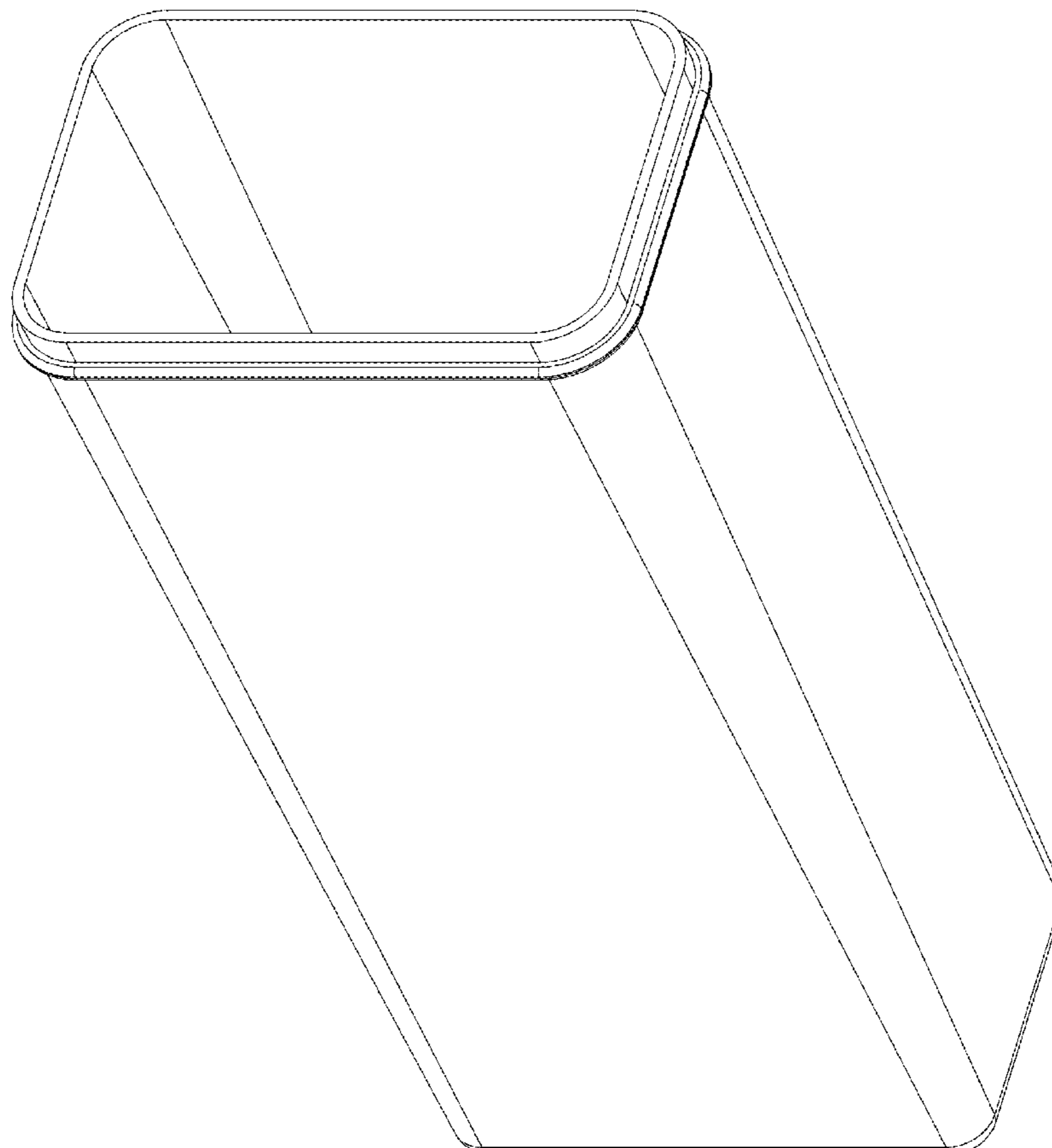
(57) **CLAIM**

The ornamental design for a container, as shown and described.

**DESCRIPTION**

FIG. 1 is a top, front, right side perspective view of a container showing my new design;  
FIG. 2 is a bottom, rear, right side perspective view thereof;  
FIG. 3 is a front elevation view thereof, the rear elevation view being a mirror image of the front elevation view;  
FIG. 4 is a side elevation view thereof, the view from the other side being a mirror image of the side elevation view;  
FIG. 5 is an enlarged top plan view thereof; and,  
FIG. 6 is an enlarged bottom plan view thereof.

**1 Claim, 5 Drawing Sheets**



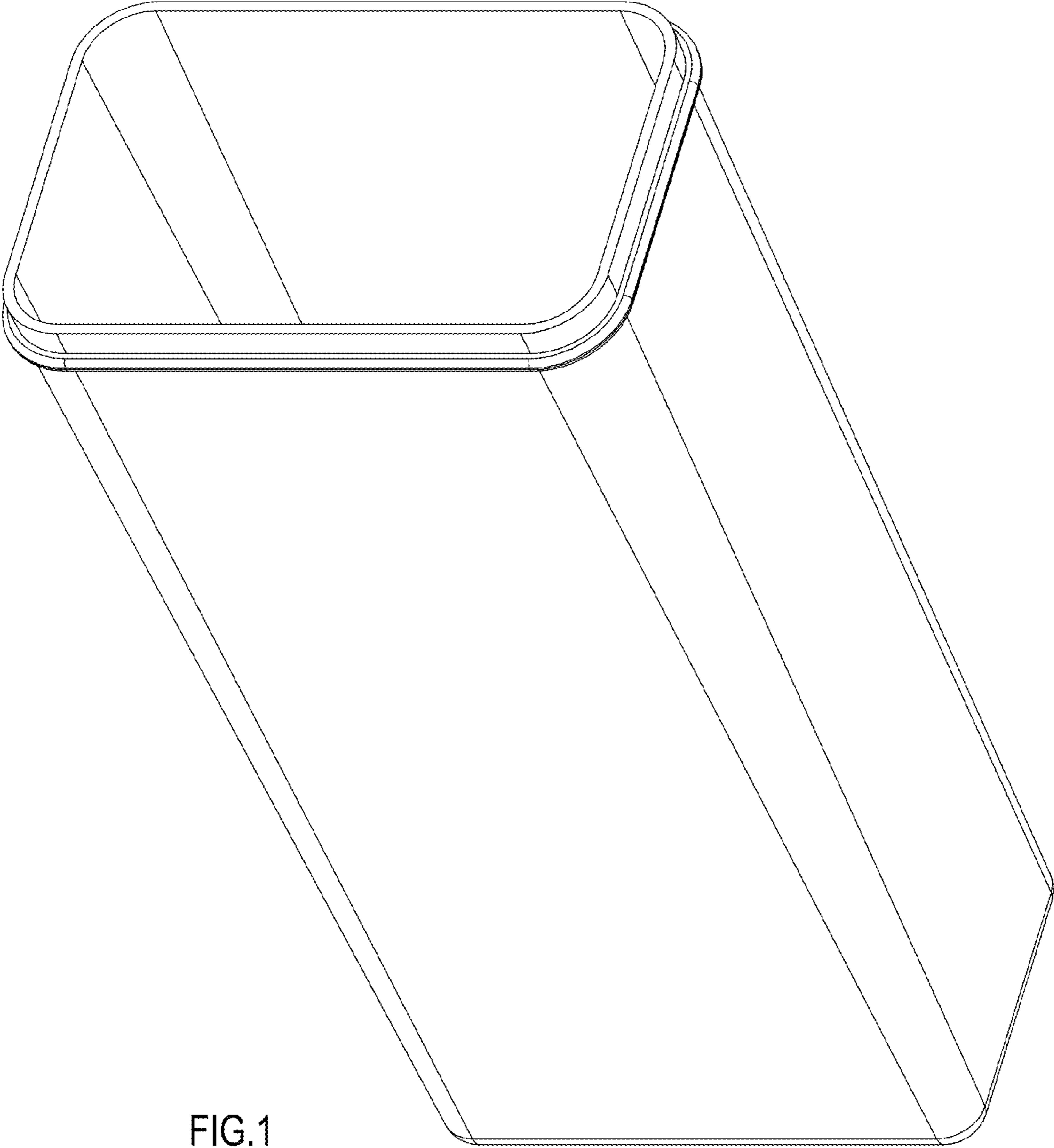


FIG.1

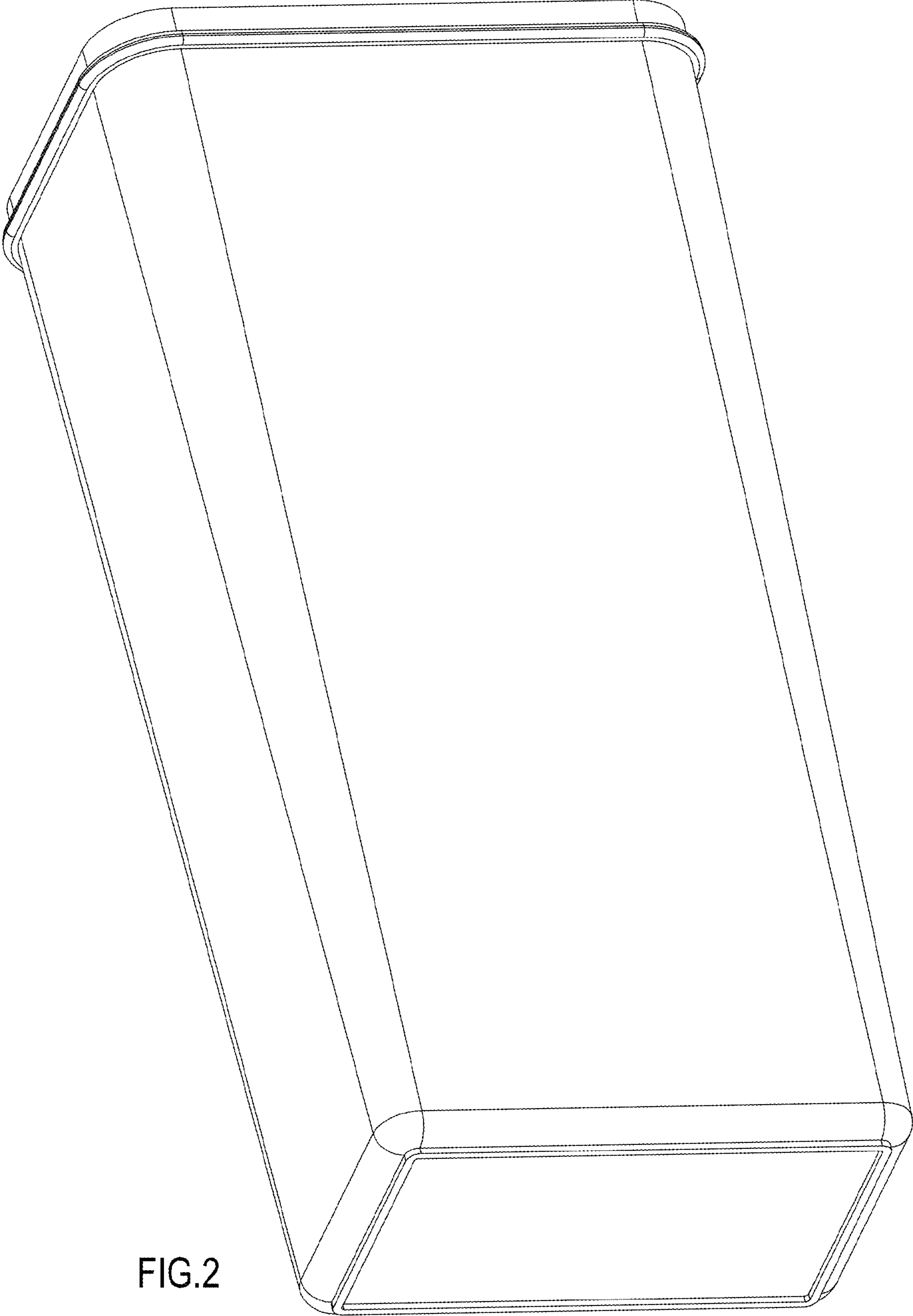


FIG.2

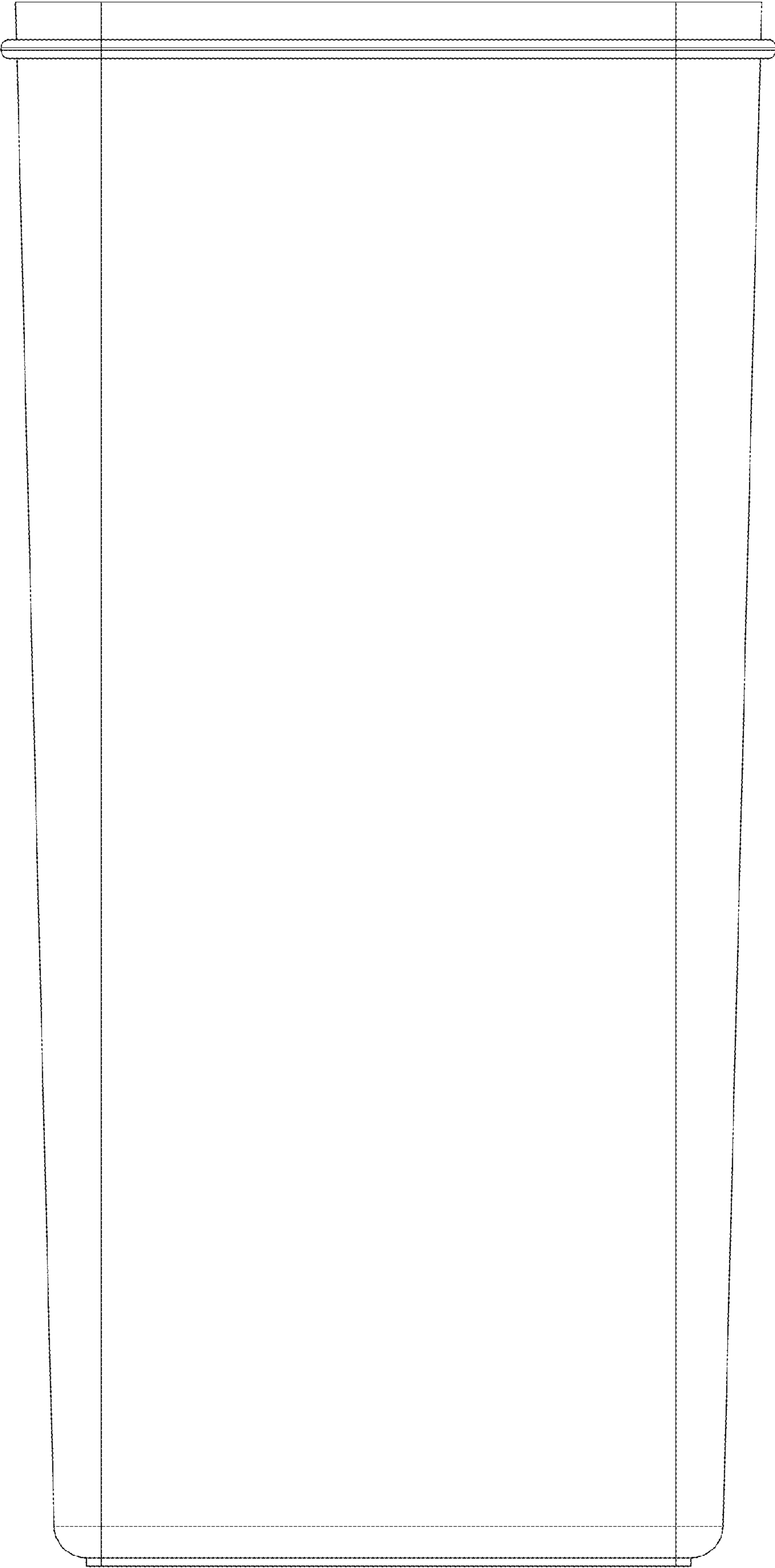


FIG.3

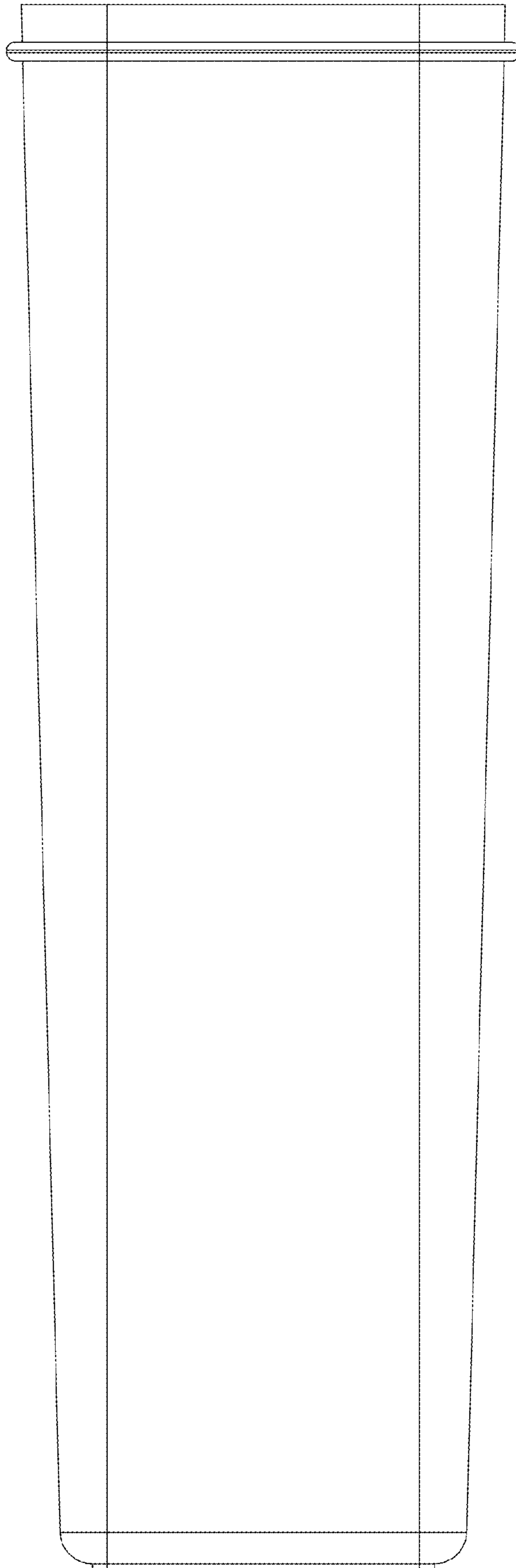


FIG.4



FIG.5

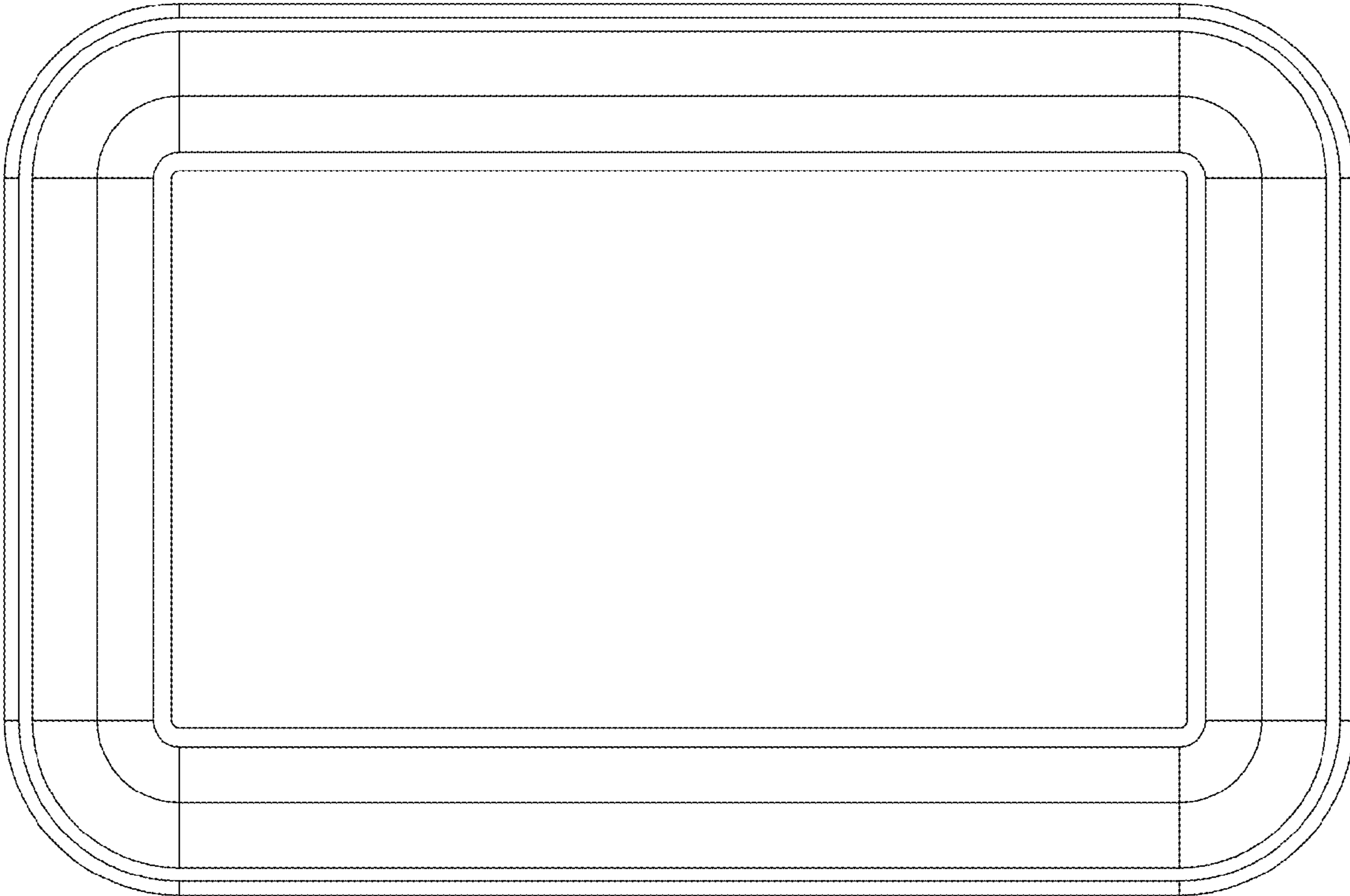


FIG.6