



US00D951637S

(12) **United States Design Patent** (10) **Patent No.:** **US D951,637 S**  
**Breines** (45) **Date of Patent:** **\*\* May 17, 2022**

(54) **CASE WITH ADJUSTABLE INTERNAL DIVIDERS AND GAMING FEATURES**

(71) Applicant: **Robert Breines**, Westlake Village, CA (US)

(72) Inventor: **Robert Breines**, Westlake Village, CA (US)

(\*\*) Term: **15 Years**

(21) Appl. No.: **29/774,385**

(22) Filed: **Mar. 16, 2021**

(51) **LOC (13) Cl.** ..... **03-01**

(52) **U.S. Cl.**  
USPC ..... **D3/301**

(58) **Field of Classification Search**  
USPC ..... D3/905, 273, 276, 280, 282, 284, 294,  
D3/298, 302, 304, 301, 285, 289, 902,  
D3/295  
CPC ..... A45C 11/00; A45C 13/02; A45C 5/00  
See application file for complete search history.

(56) **References Cited**

**U.S. PATENT DOCUMENTS**

D275,821 S *	10/1984	Iszler .....	D3/285
D317,379 S *	6/1991	Whitworth .....	D3/285
D379,267 S *	5/1997	Roegner .....	D3/285
D383,492 S *	9/1997	Siemon .....	D19/26
D389,647 S *	1/1998	White .....	D3/285
D407,559 S *	4/1999	Roegner .....	D3/319
D560,361 S *	1/2008	Huang .....	D3/301
D687,376 S *	8/2013	Farris-Gilbert .....	D13/108
D841,974 S *	3/2019	Peng .....	D3/205
D879,462 S *	3/2020	Si .....	D3/206
D880,860 S *	4/2020	Liu .....	D3/303
D885,759 S *	6/2020	Judy .....	D3/249
D885,762 S *	6/2020	Long .....	D3/285

(Continued)

**OTHER PUBLICATIONS**

Amazon, "Enhance Tabletop RPG Organizer Case . . . ", First on sale Oct. 22, 2020. (<https://www.amazon.com/ENHANCE-Tabletop-Organizer-Case-Built/dp/B08LMWYRVD>) (Year: 2020).\*

(Continued)

*Primary Examiner* — April Rivas

(74) *Attorney, Agent, or Firm* — QuickPatents, LLC; Kevin Prince

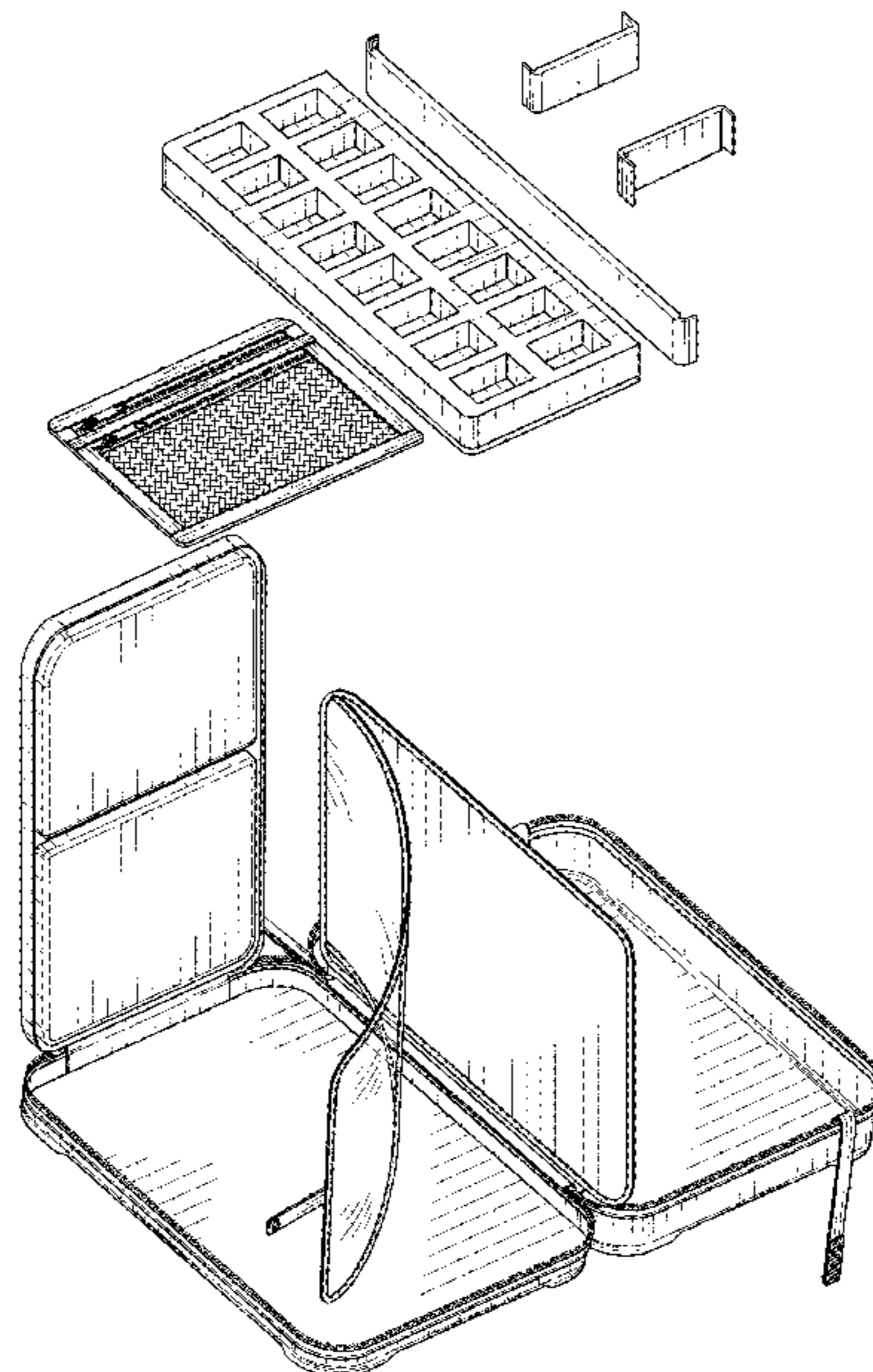
(57) **CLAIM**

The ornamental design for a case with adjustable internal dividers and gaming features, as shown and described.

**DESCRIPTION**

FIG. 1 is a top perspective view of a case with adjustable internal dividers and gaming features, showing my new design in a closed configuration;  
FIG. 2 is a bottom perspective view of FIG. 1;  
FIG. 3 is a front elevational view of FIG. 1;  
FIG. 4 is a rear elevational view of FIG. 1;  
FIG. 5 is a left-side elevational view of FIG. 1;  
FIG. 6 is a right-side elevational view of FIG. 1;  
FIG. 7 is a top plan view of FIG. 1;  
FIG. 8 is a bottom plan view of FIG. 1;  
FIG. 9 is a perspective view thereof, illustrated in an open configuration;  
FIG. 10 is a partially exploded top perspective view of FIG. 9;  
FIG. 11 is a partially exploded top perspective view of FIG. 9; and,  
FIG. 12 is a partially exploded bottom perspective view of FIG. 9.  
The broken lines in the figures depicting a logo form no part of the claimed design. The remaining broken lines in the figures represent stitching and are part of the claimed design.

**1 Claim, 10 Drawing Sheets**



(56)

**References Cited**

U.S. PATENT DOCUMENTS

D893,871 S \* 8/2020 Plunkett ..... D3/285  
D915,770 S \* 4/2021 Breines ..... D3/285

OTHER PUBLICATIONS

Amazon, "Alizero Tabletop RPG Hard-Shell Travel Case . . .", First reviewed Dec. 22, 2021. (<https://www.amazon.com/ALIZERO-Hard-Shell-Protective-Organizer-Miniatures/dp/B08389S3SP>) (Year: 2021).\*

Amazon, "Mongpiens DND Tabletop RPG Organizer Bag . . .", Accessed on Dec. 29, 2021. (<https://www.amazon.com/dp/B09JFFB2MX/>) (Year: 2021).\*

\* cited by examiner

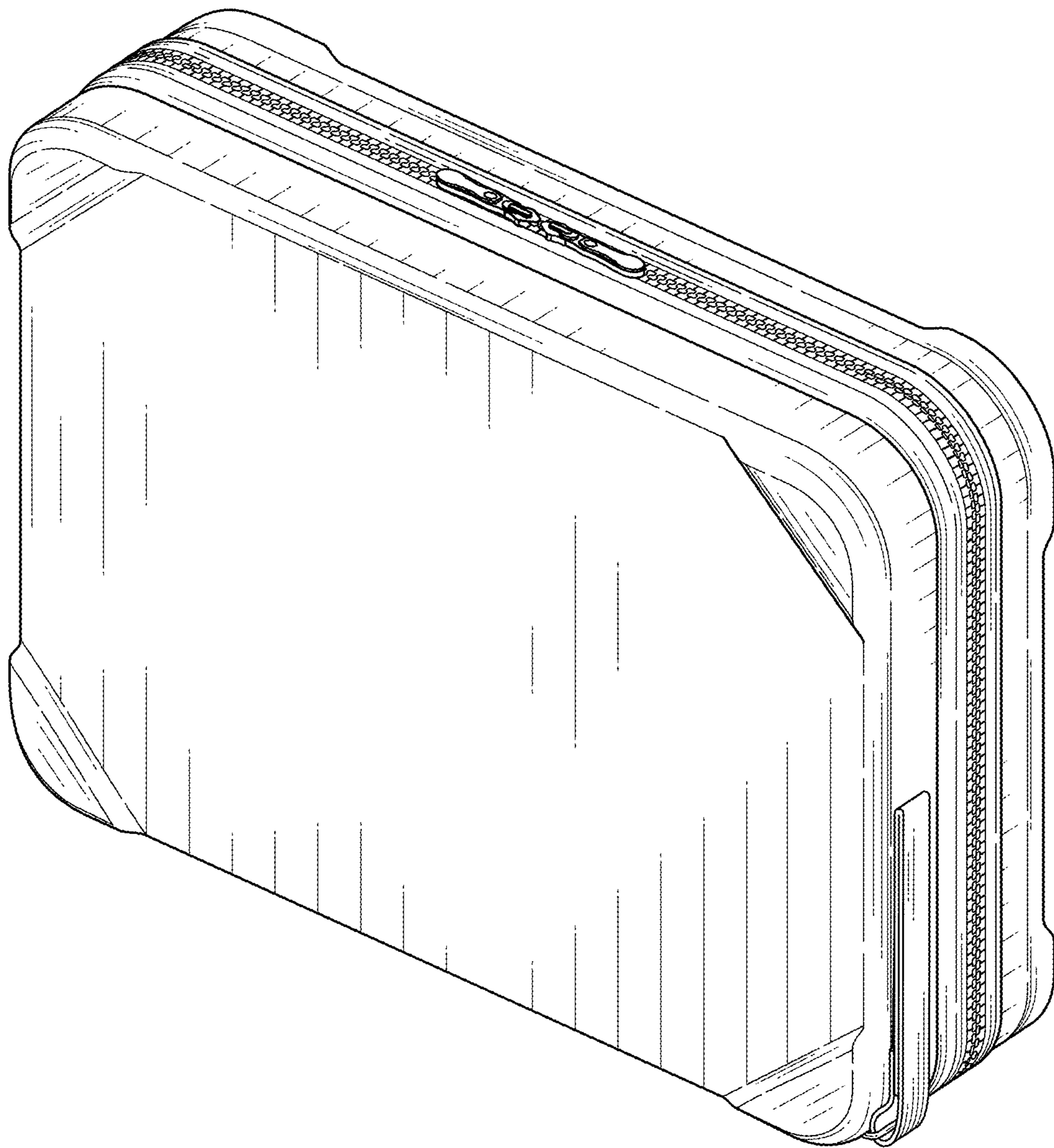


FIG. 1

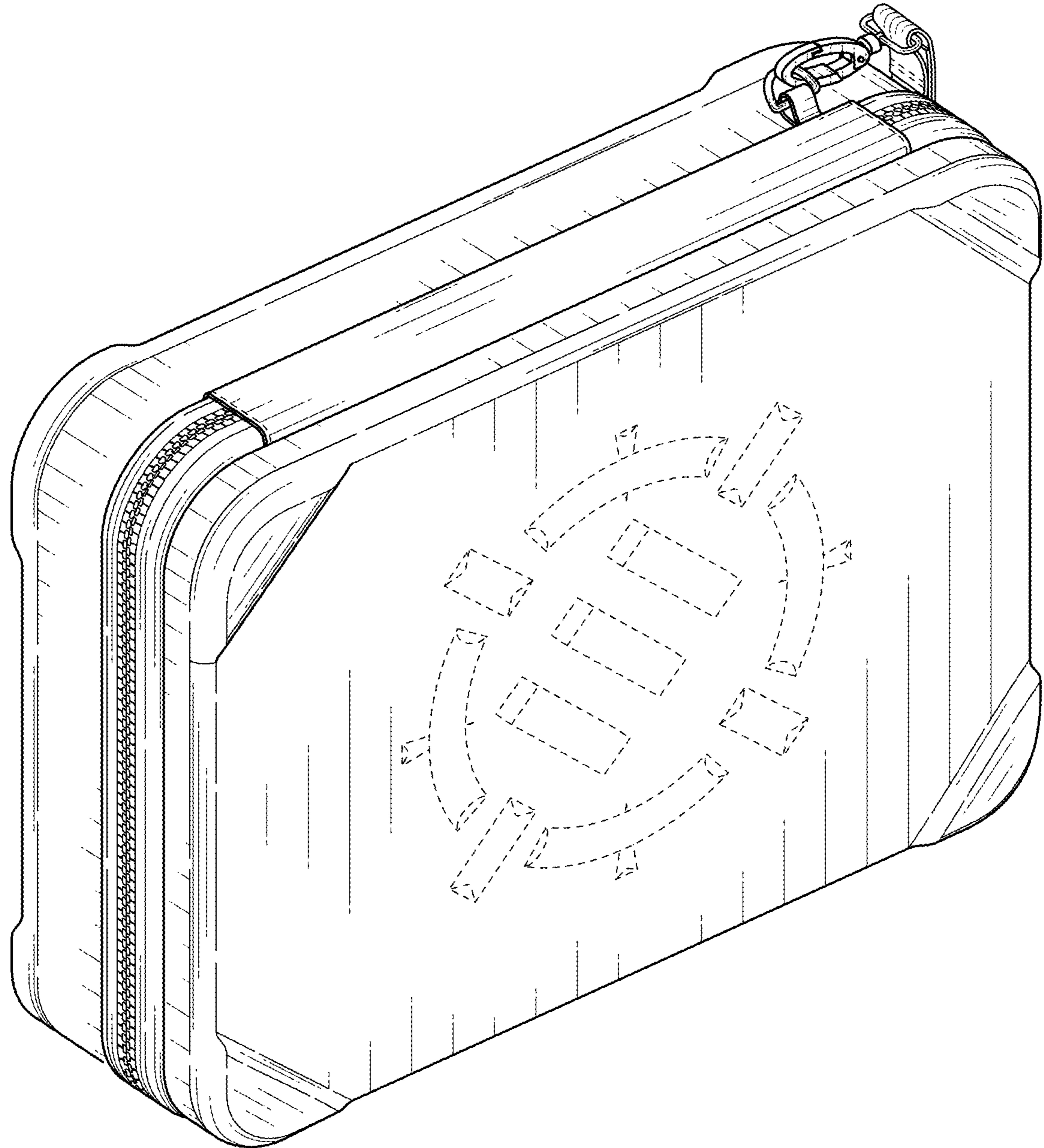


FIG. 2

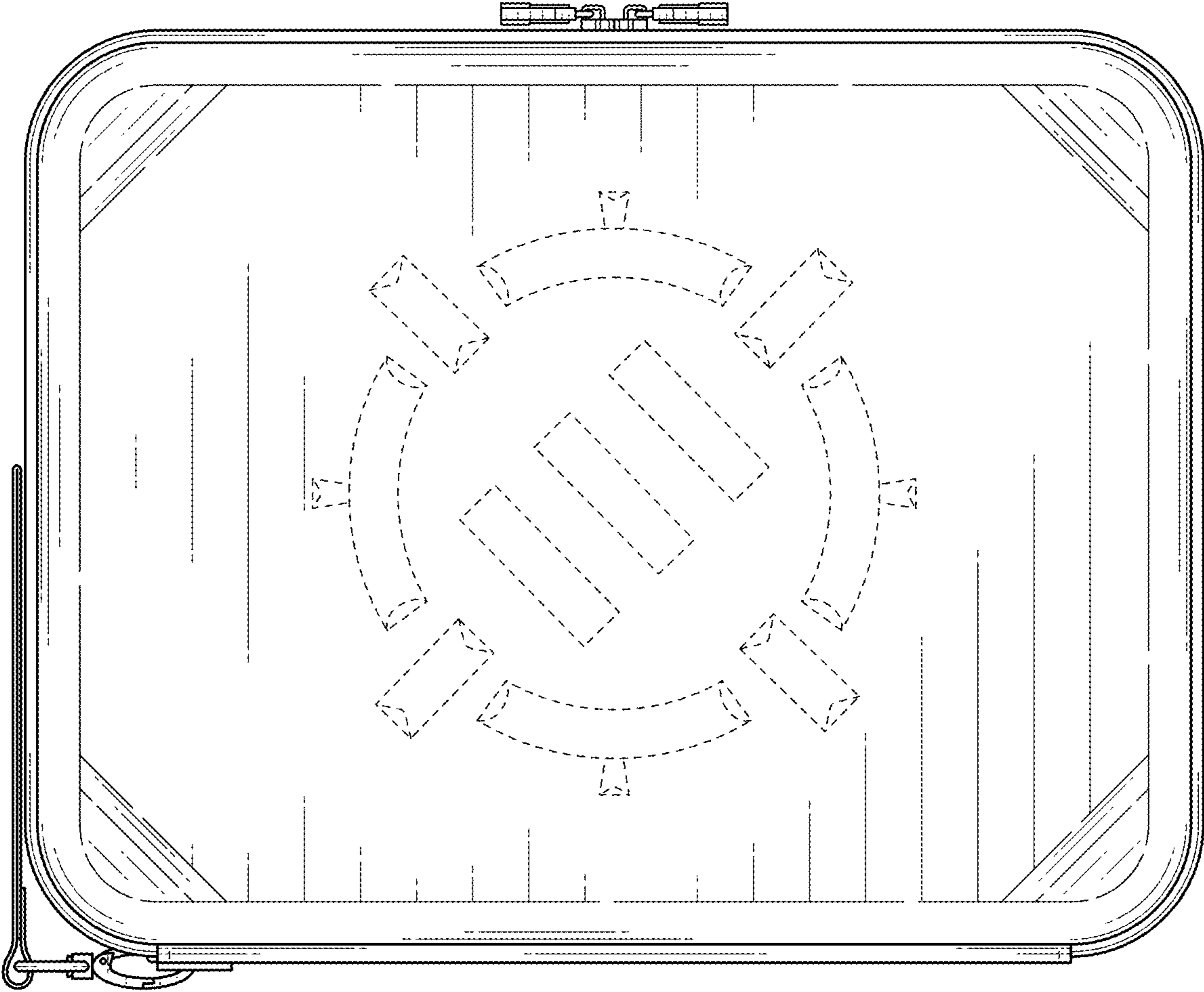


FIG. 3

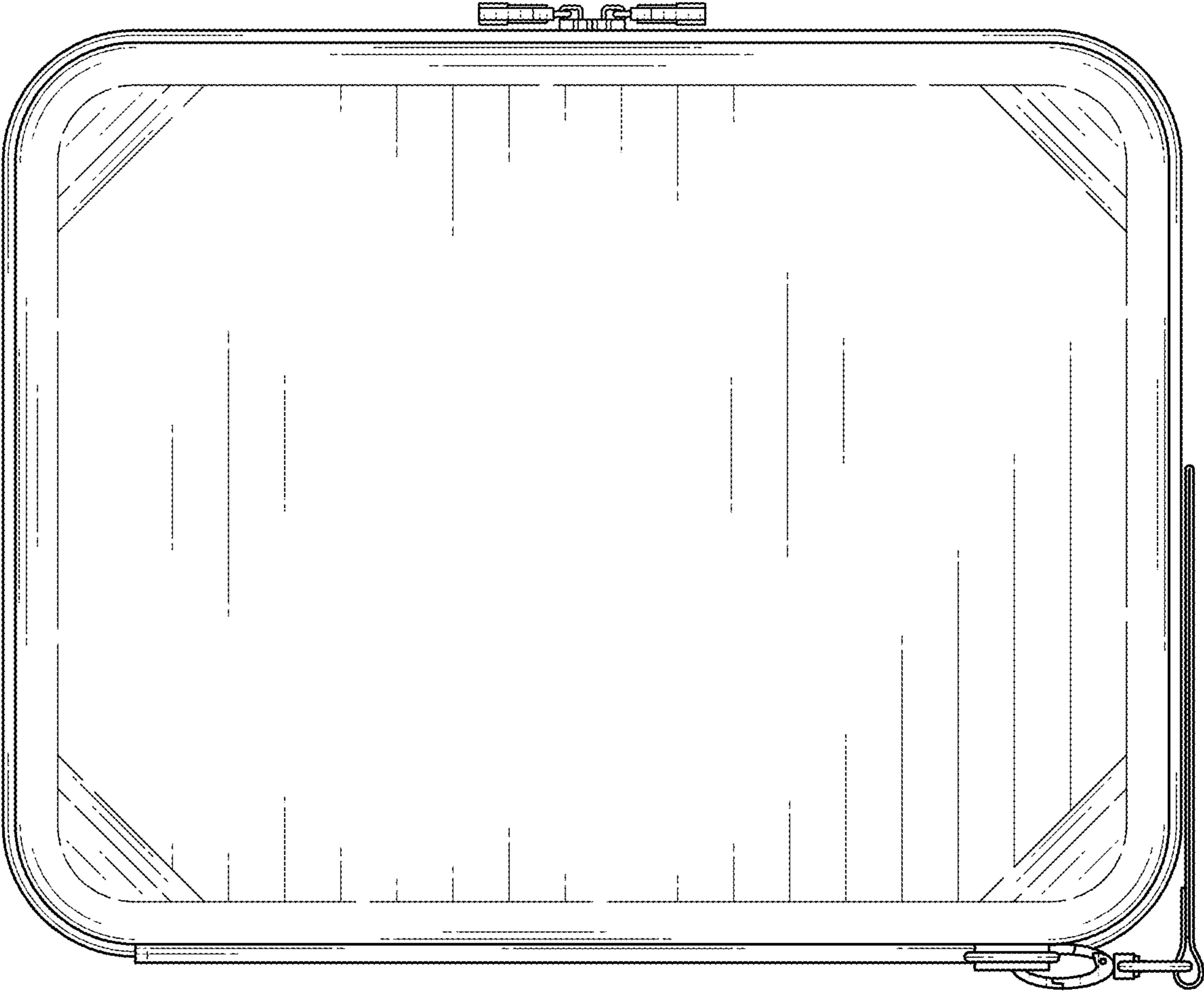


FIG. 4

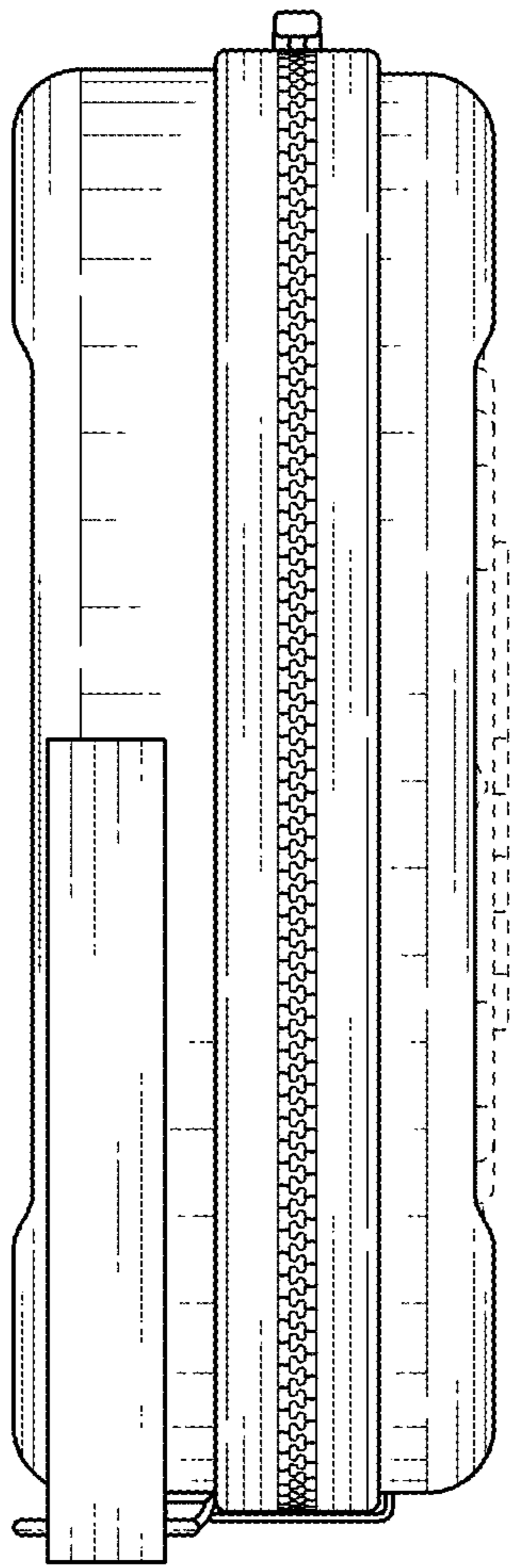


FIG. 5

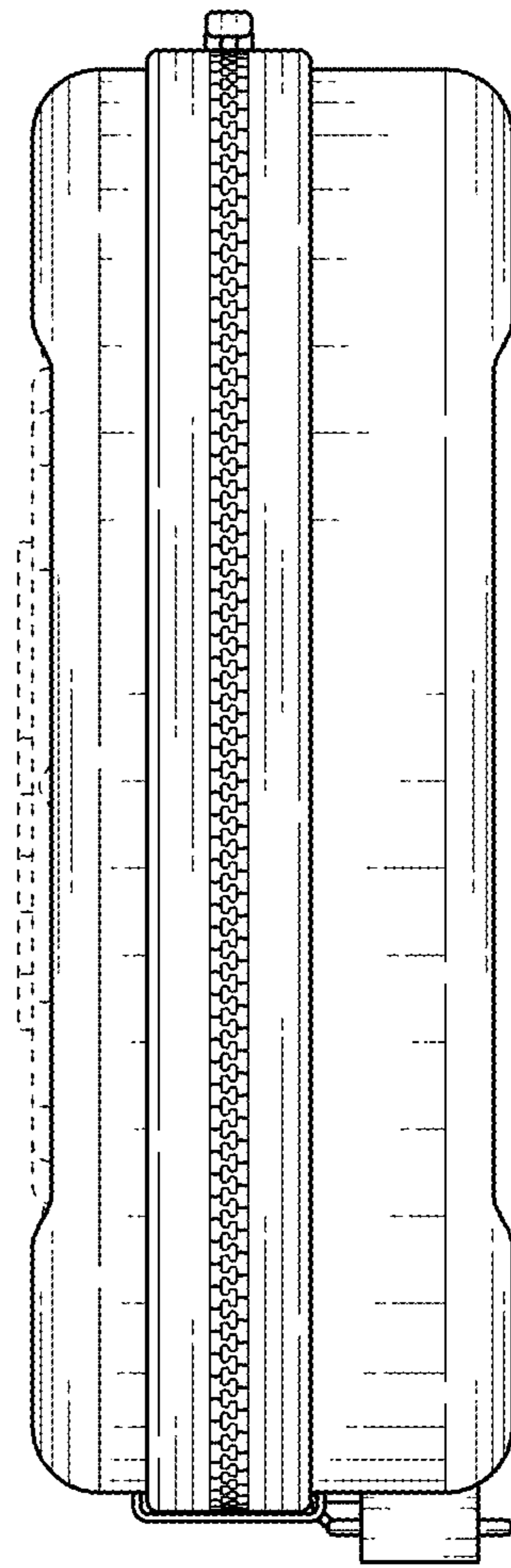


FIG. 6

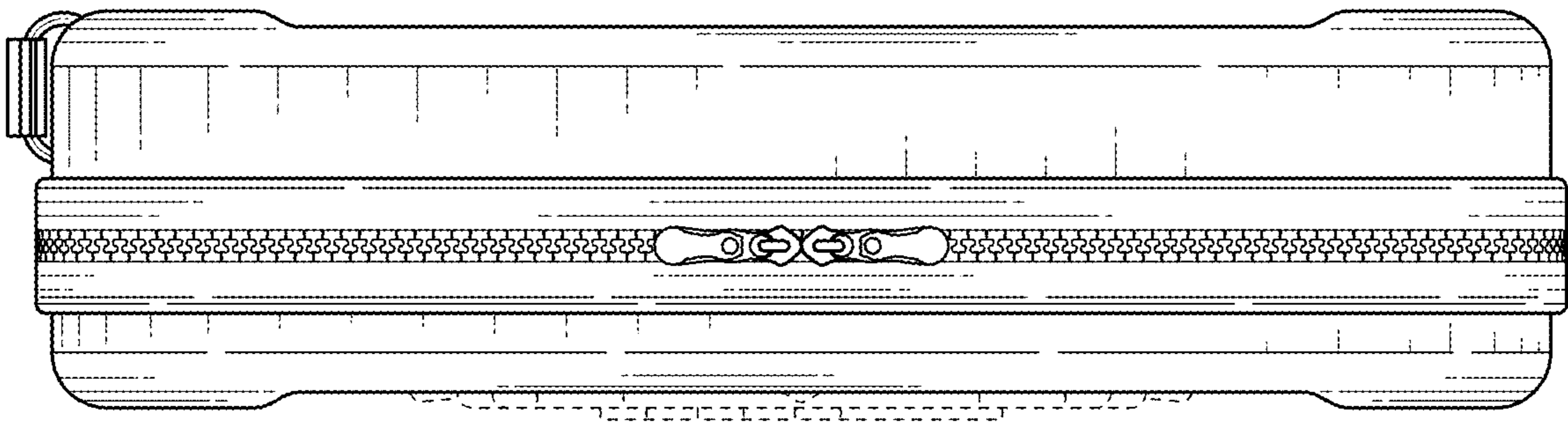


FIG. 7

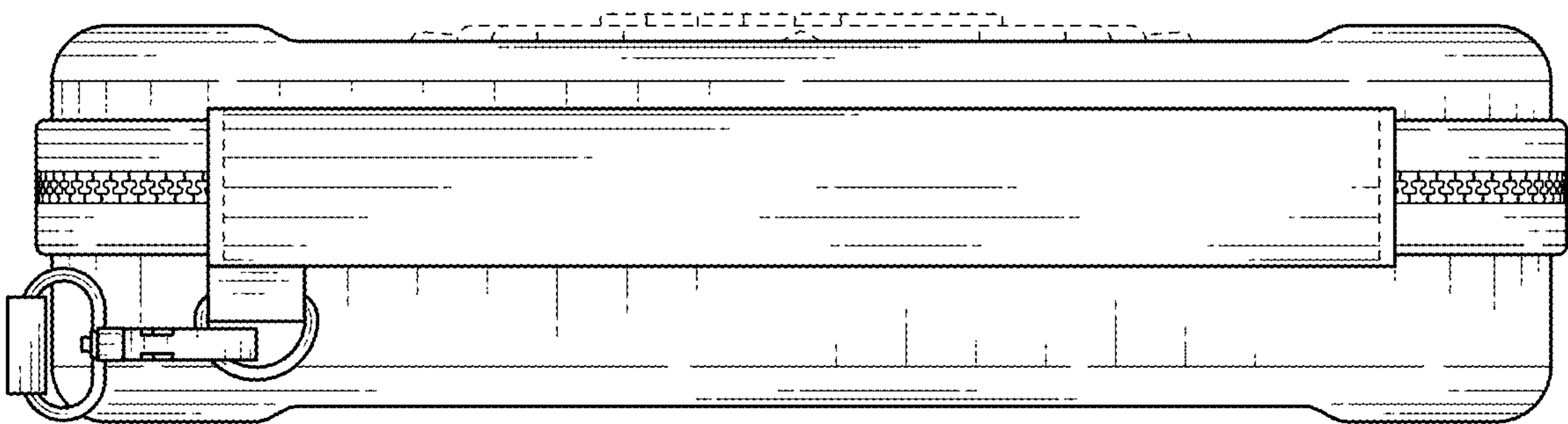


FIG. 8



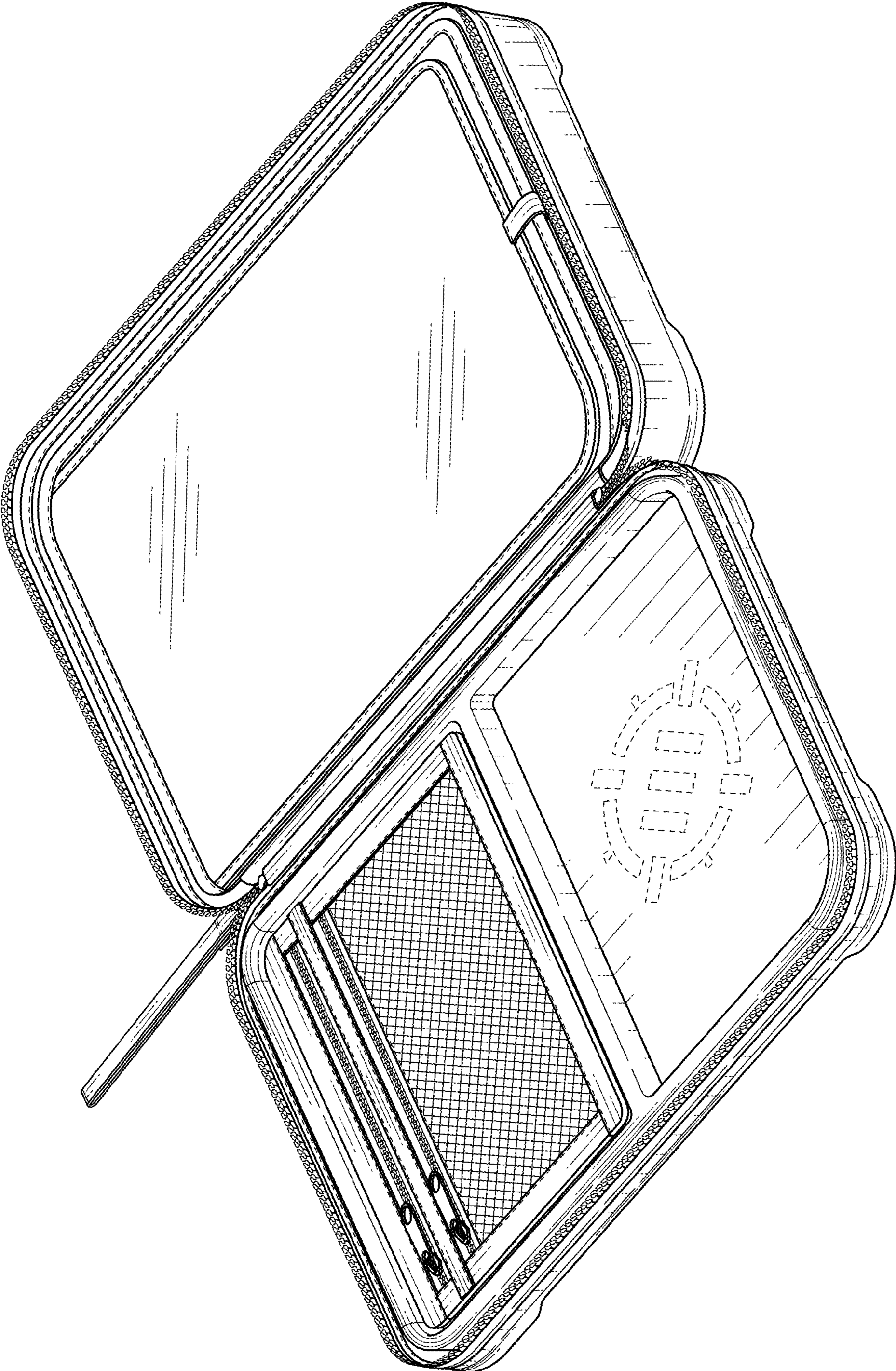


FIG. 9

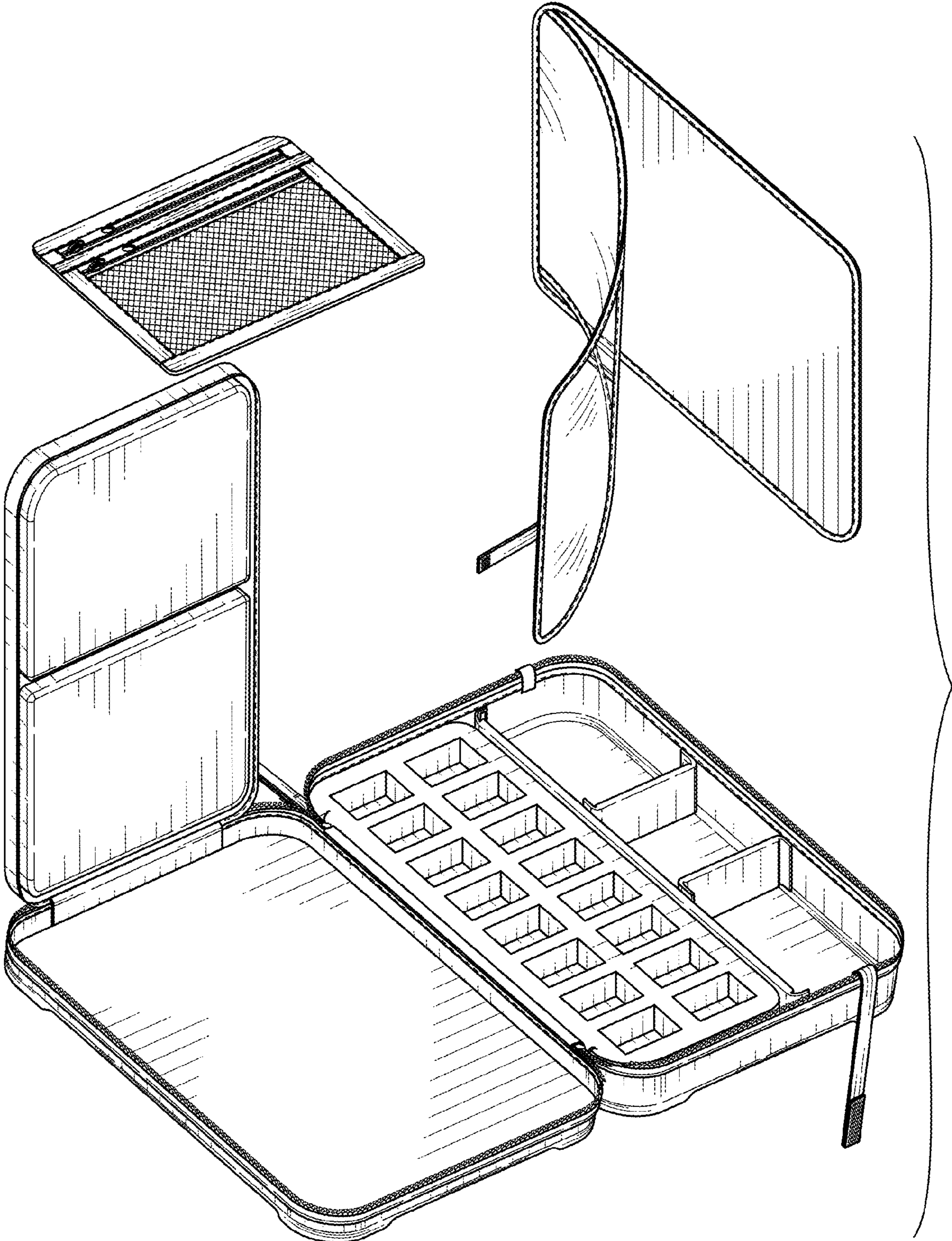


FIG. 10

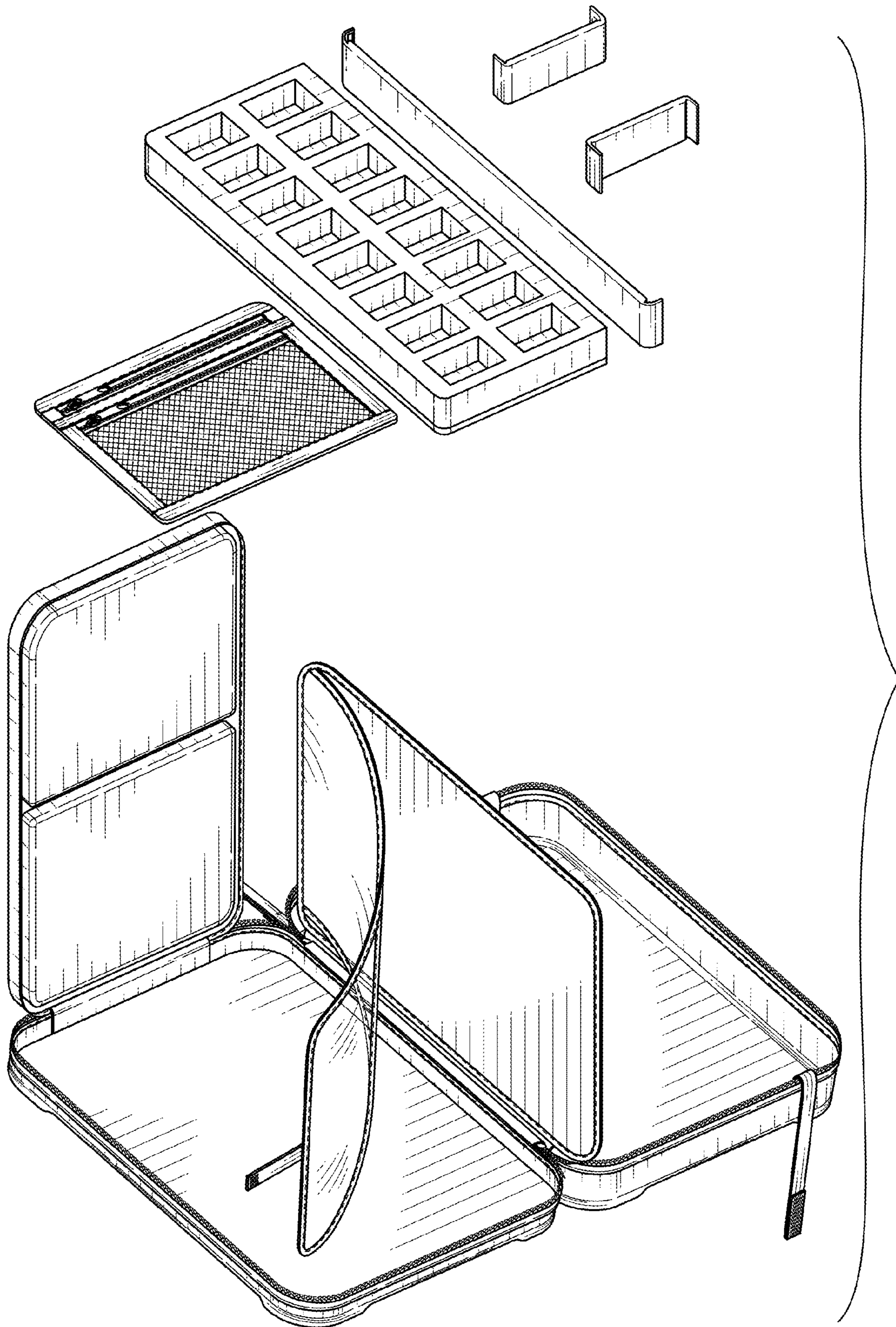


FIG. 11

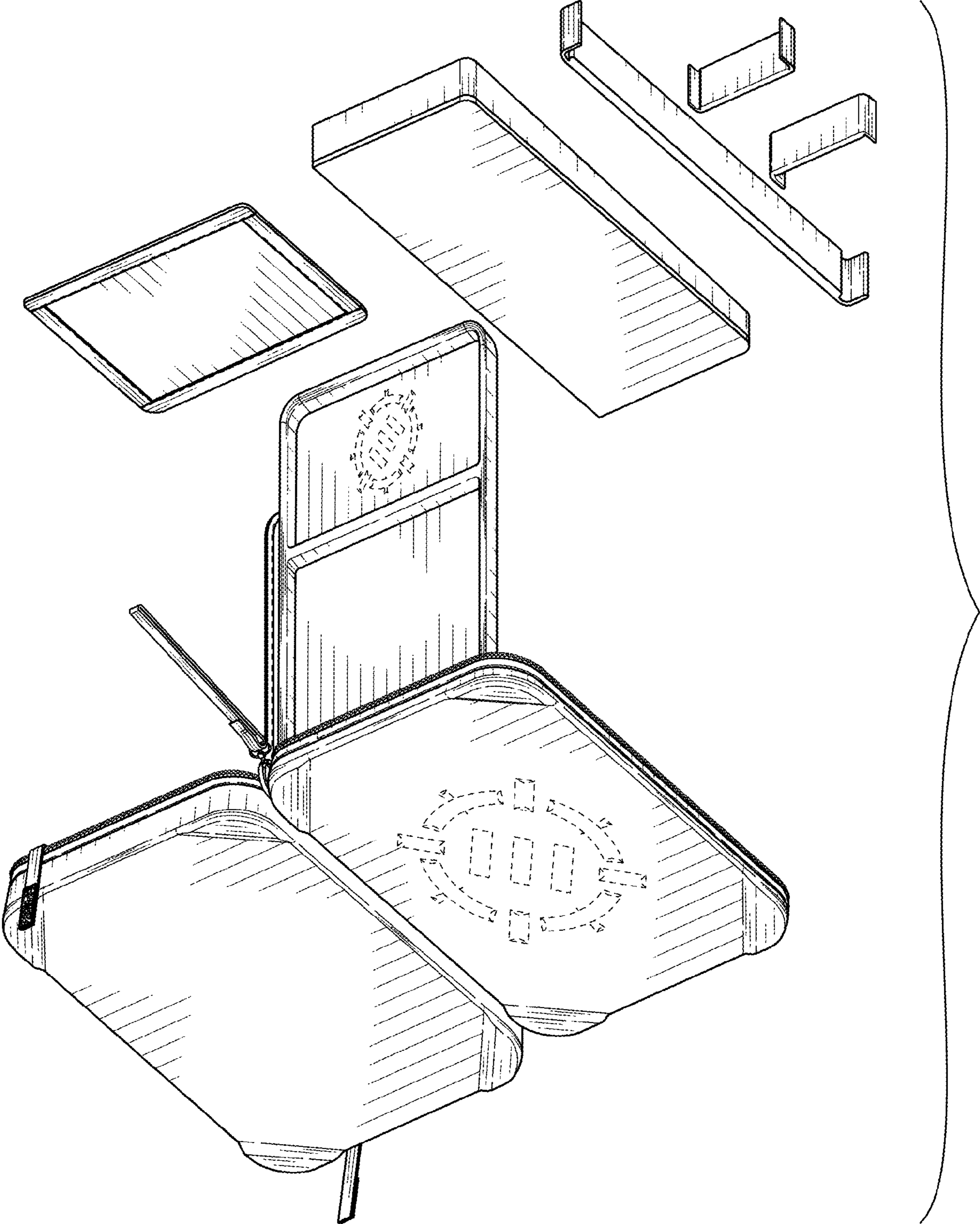


FIG. 12