



US00D951635S

(12) **United States Design Patent**  
**Shang**

(10) **Patent No.:** **US D951,635 S**

(45) **Date of Patent:** **\*\* May 17, 2022**

(54) **SHOE BOX**

(71) Applicant: **TAIZHOU LUQIAO SHENGQIANG  
HOUSEWARES FACTORY  
(GENERAL PARTNERSHIP),  
Zhejiang (CN)**

(72) Inventor: **Lizheng Shang, Zhejiang (CN)**

(73) Assignee: **TAIZHOU LUQIAO SHENGQIANG  
HOUSEWARES FACTORY  
(GENERAL PARTNERSHIP),  
Zhejiang (CN)**

(\*\*) Term: **15 Years**

(21) Appl. No.: **29/777,392**

(22) Filed: **Apr. 6, 2021**

(30) **Foreign Application Priority Data**

Mar. 29, 2021 (EM) ..... 008479794-0001

(51) **LOC (13) Cl.** ..... **03-01**

(52) **U.S. Cl.**  
USPC ..... **D3/294**

(58) **Field of Classification Search**  
USPC ..... D3/273, 294  
CPC ..... B65D 85/00  
See application file for complete search history.

(56) **References Cited**

**U.S. PATENT DOCUMENTS**

2,104,828 A \* 1/1938 Brinnon ..... B65D 5/6611  
229/122  
D539,138 S \* 3/2007 Mittelstaedt ..... D3/294  
D590,710 S \* 4/2009 Mittelstaedt ..... D3/297  
D617,558 S 6/2010 Myers

D643,628 S 8/2011 Monarch  
D740,026 S \* 10/2015 Yamamoto ..... D3/297  
D740,563 S \* 10/2015 Yamamoto ..... D3/297  
D866,966 S \* 11/2019 Wang ..... D3/294  
D934,564 S \* 11/2021 Wu ..... D3/294  
D941,581 S \* 1/2022 Yamashiro ..... D3/294

**OTHER PUBLICATIONS**

Amazon, "12 Pack Shoe Storage Box . . .", First on sale Dec. 29, 2020. (<https://www.amazon.com/dp/B08RJ13R3R/?th=1>) (Year: 2020).\*

\* cited by examiner

*Primary Examiner* — April Rivas

(74) *Attorney, Agent, or Firm* — ScienBiziP, P.C.

(57) **CLAIM**

The ornamental design for a shoe box, as shown and described.

**DESCRIPTION**

FIG. 1 is a front, right, and top perspective view of a shoe box, showing my design.

FIG. 2 is a rear, left, and bottom perspective view thereof.

FIG. 3 is a front elevation view thereof.

FIG. 4 is a rear elevation view thereof.

FIG. 5 is a left side elevation view thereof.

FIG. 6 is a right side elevation view thereof.

FIG. 7 is a top plan view thereof.

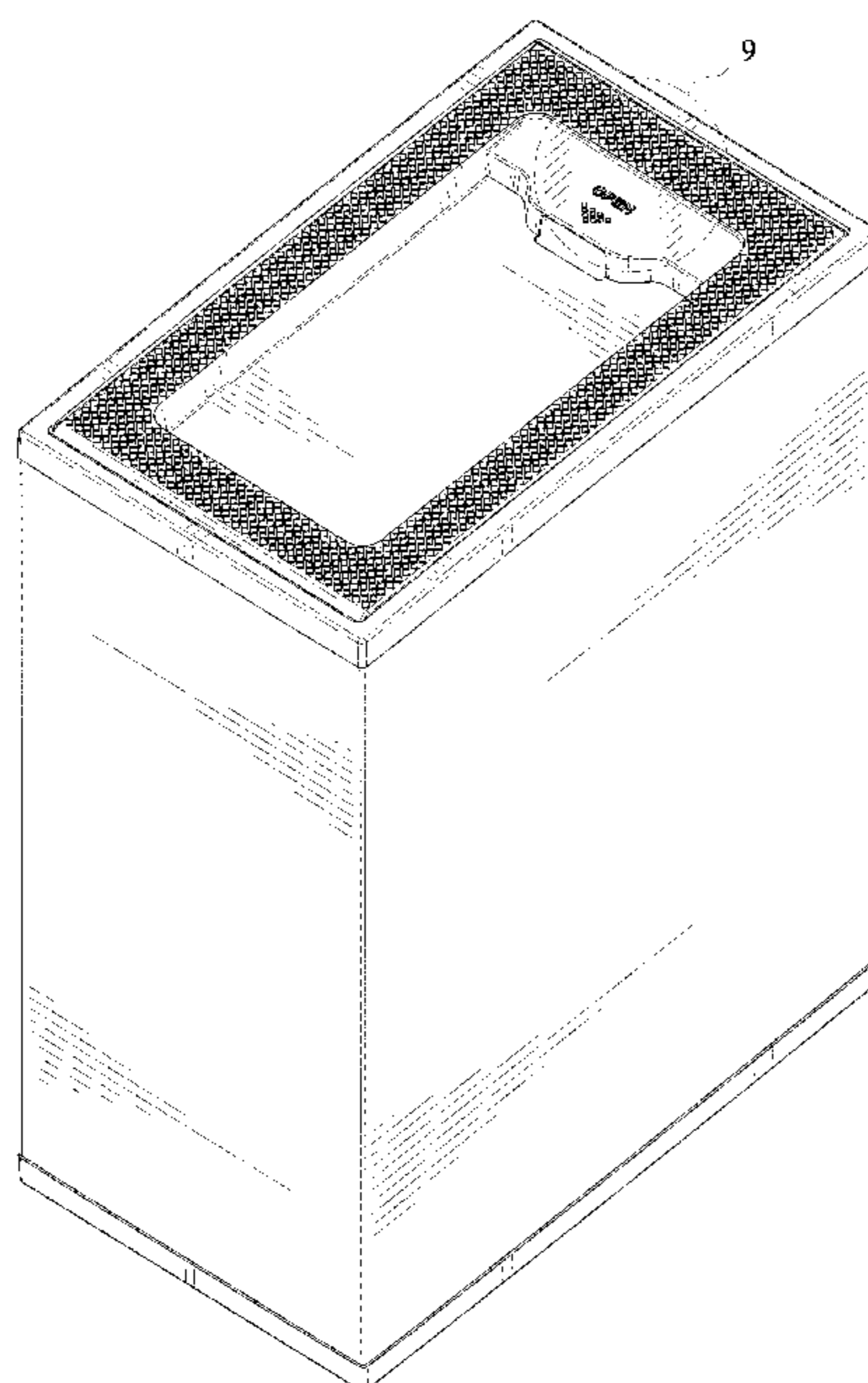
FIG. 8 is a bottom plan view thereof.

FIG. 9 is a partial enlarged view of an area labeled 9 in FIG. 1 comprising an opening; and,

FIG. 10 is a partial enlarged view of an area labeled 10 in FIG. 2 comprising a bottom face.

The broken lines shown in the drawings are included for the purpose of illustrating portions of the shoe box that form no part of the claimed design.

**1 Claim, 10 Drawing Sheets**



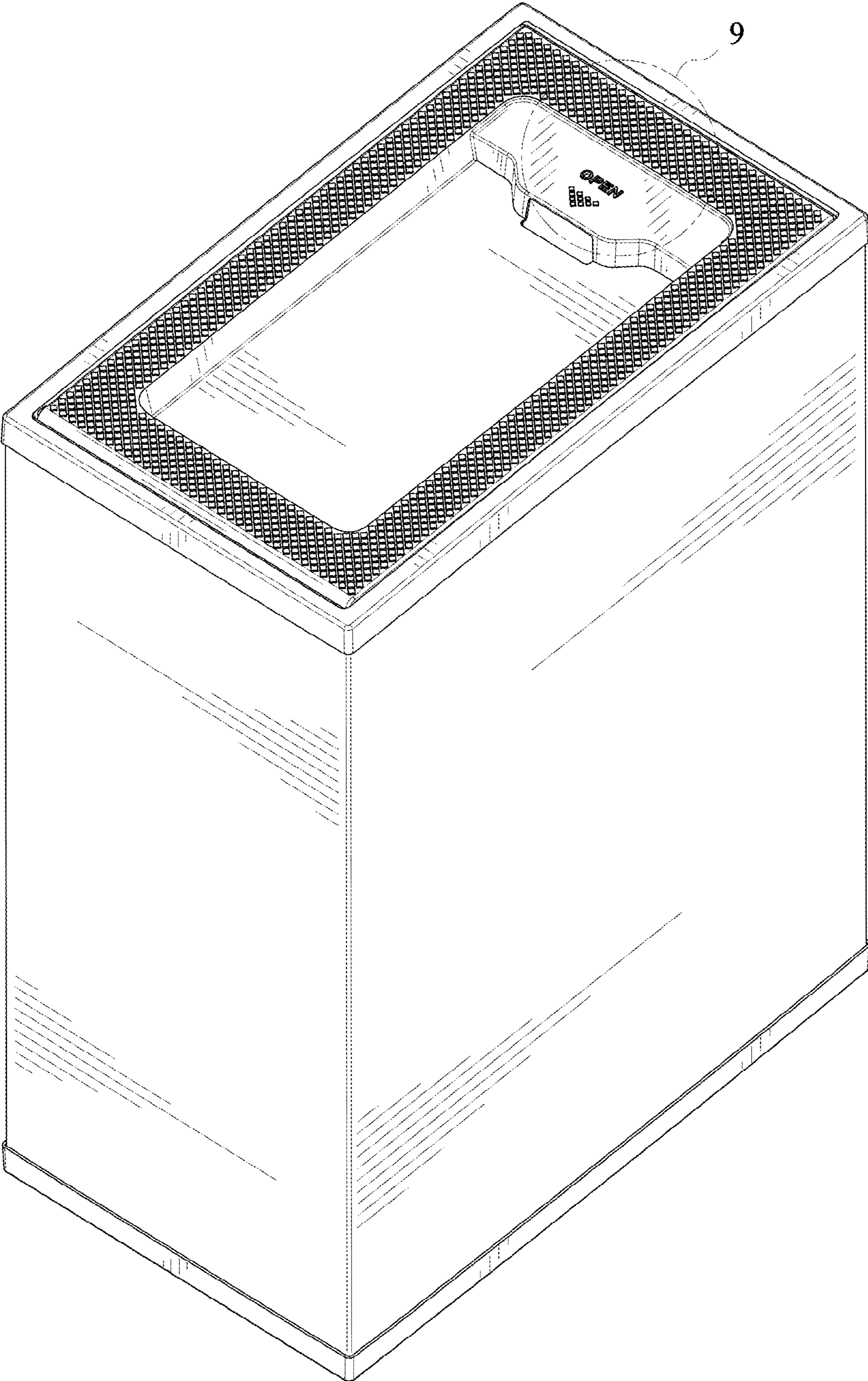


FIG. 1



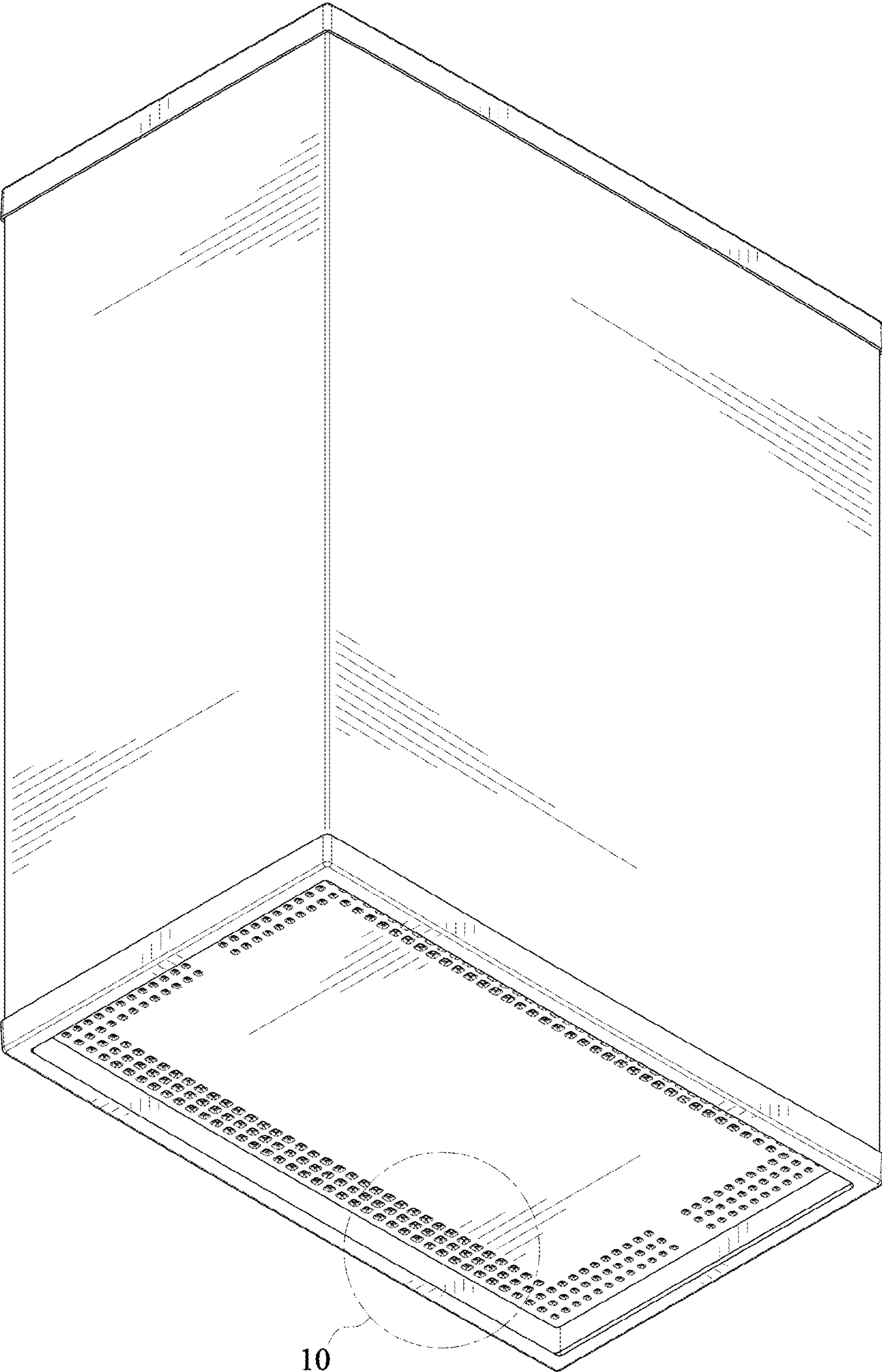


FIG.2

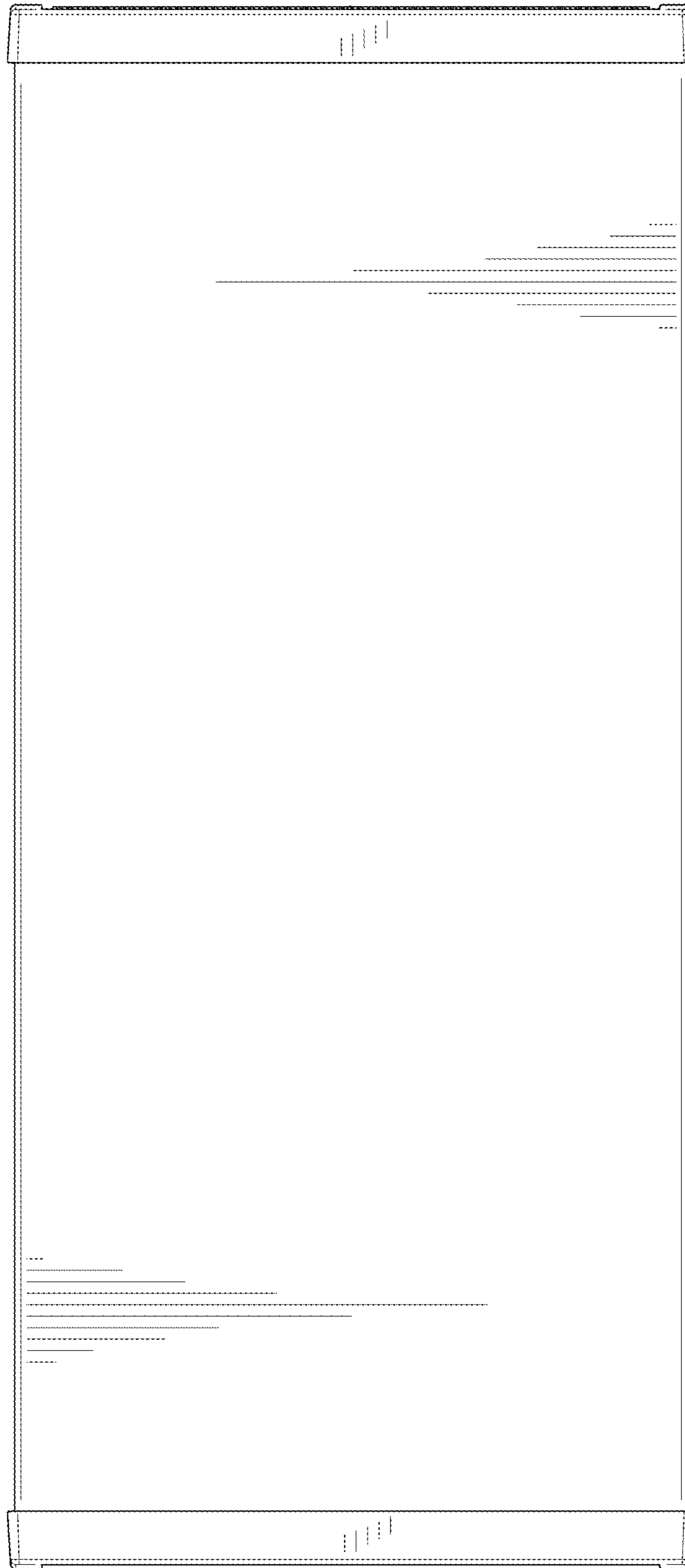


FIG.3

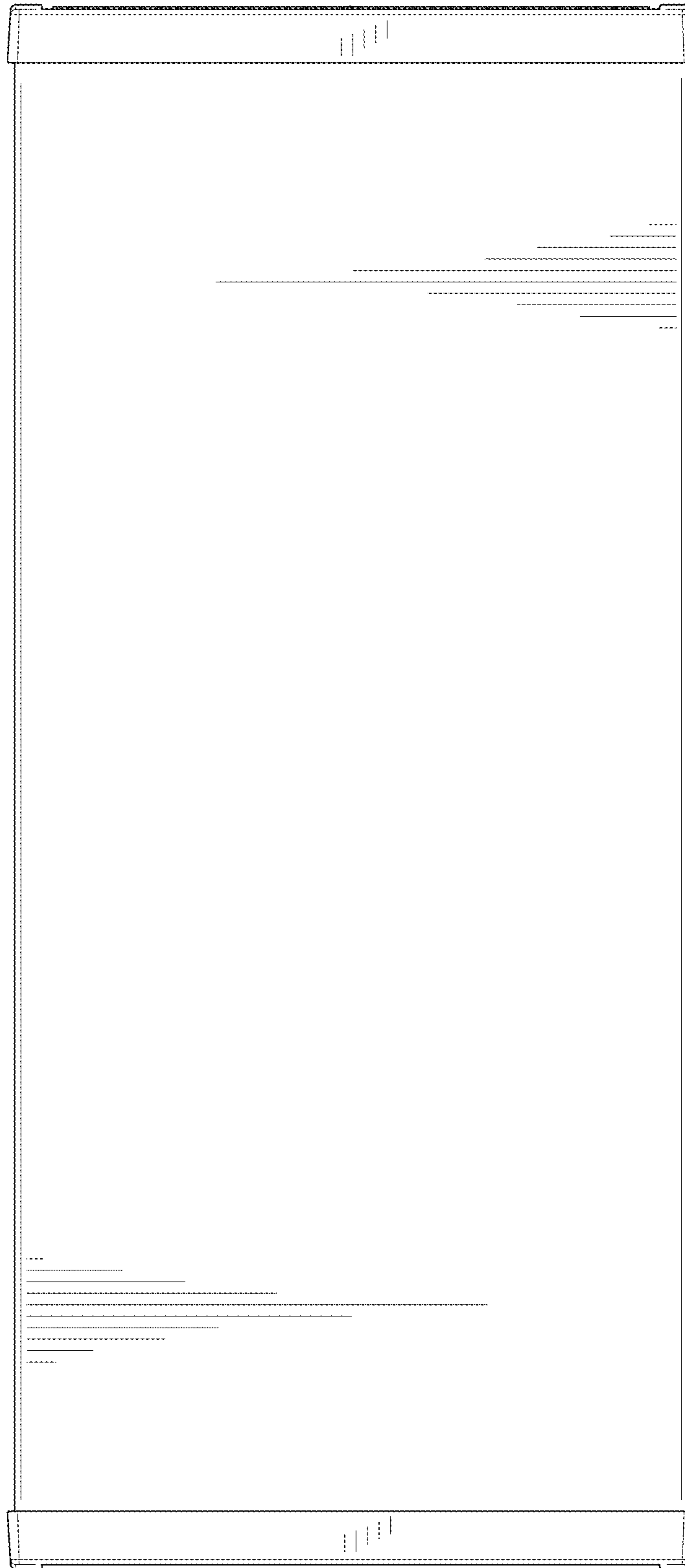


FIG.4

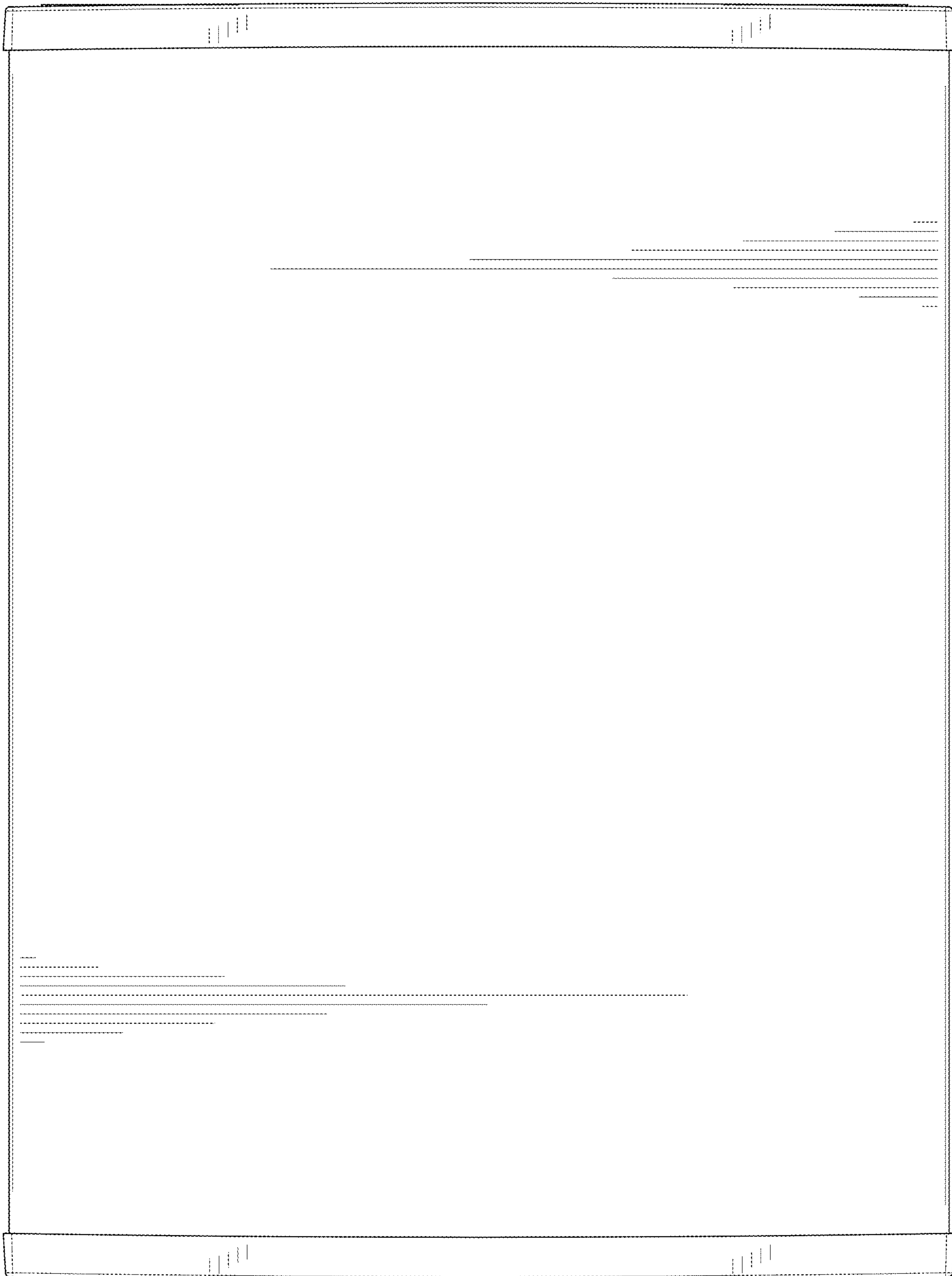


FIG.5

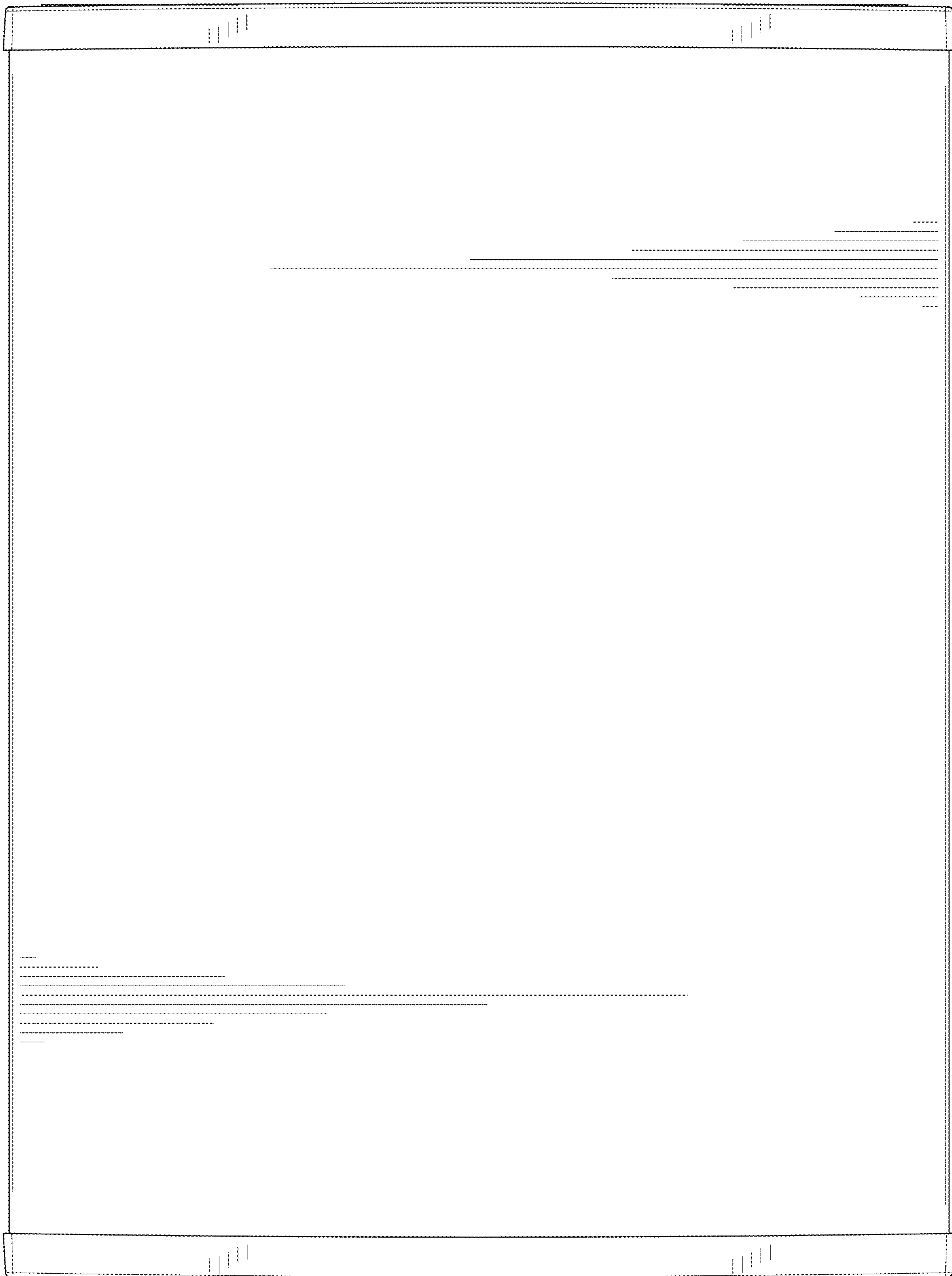


FIG. 6



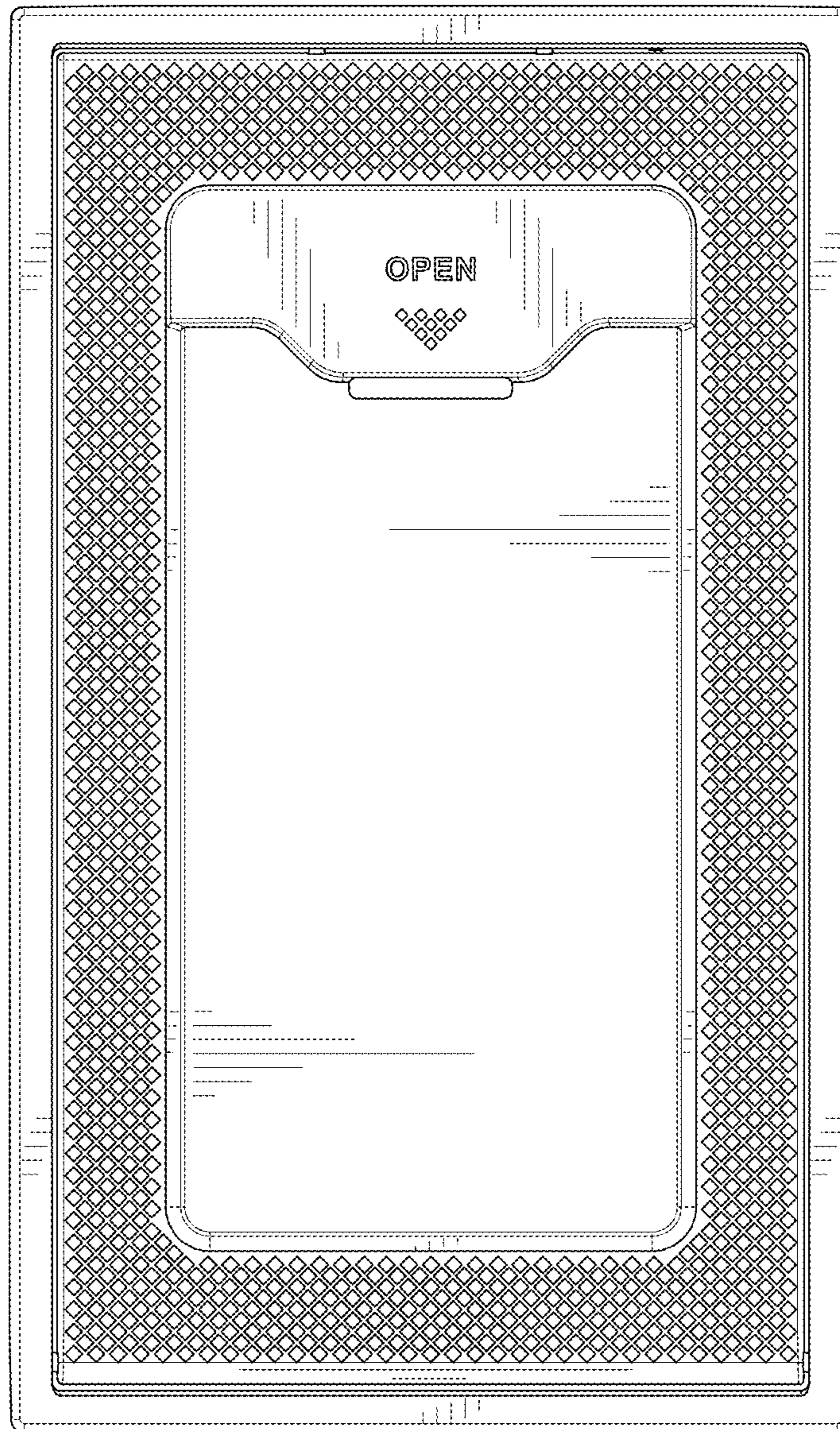


FIG. 7



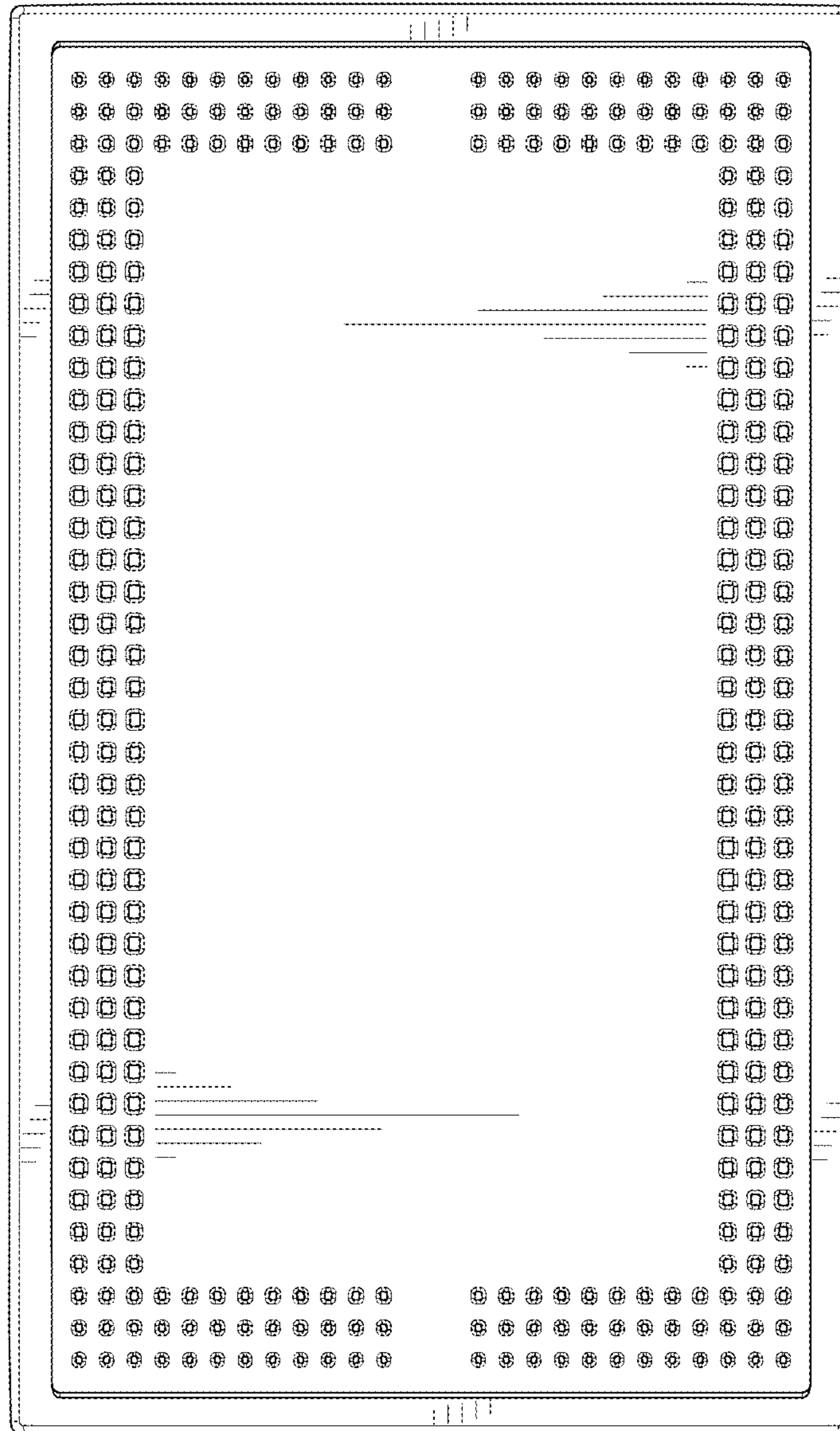


FIG. 8

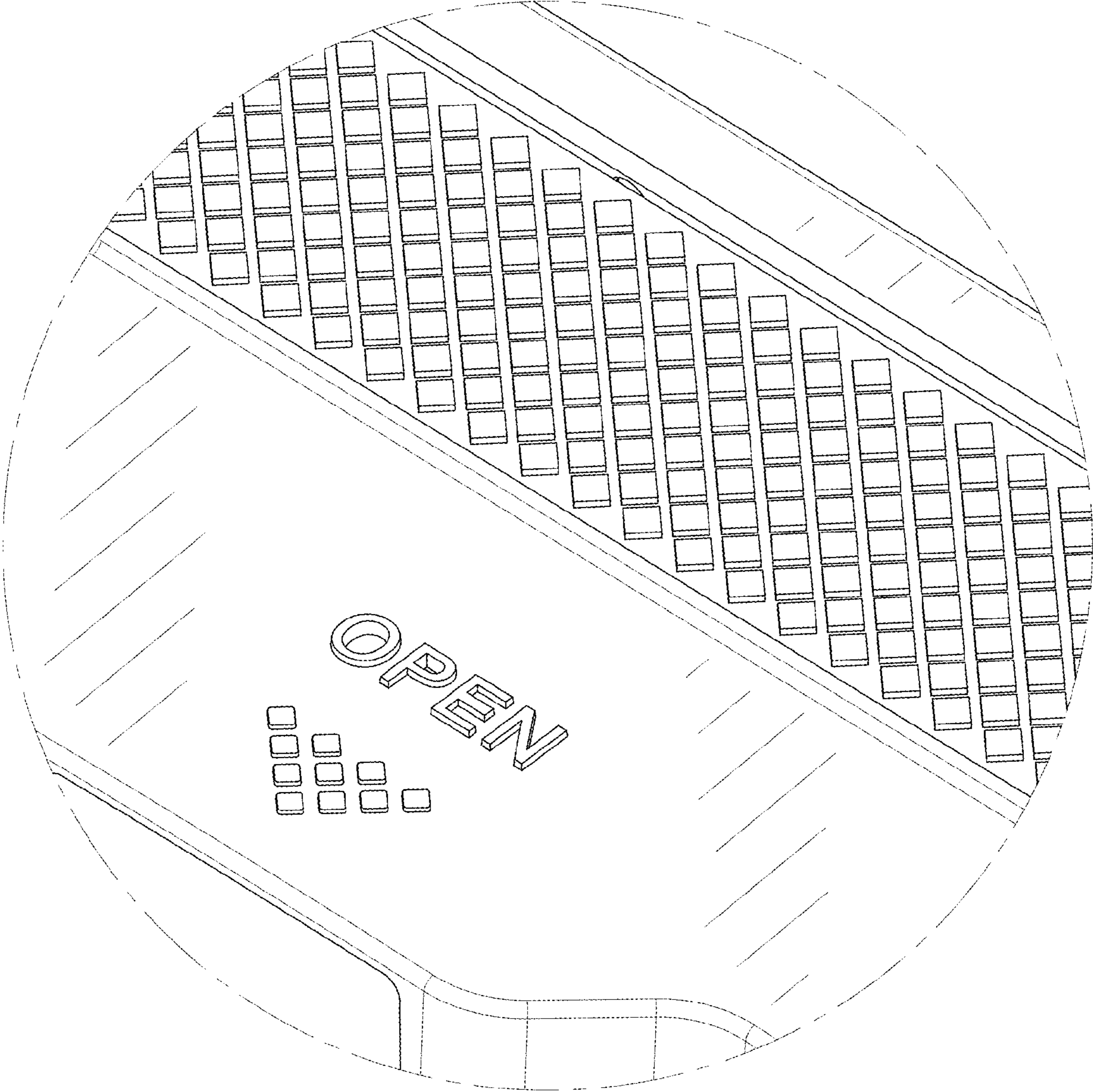


FIG.9

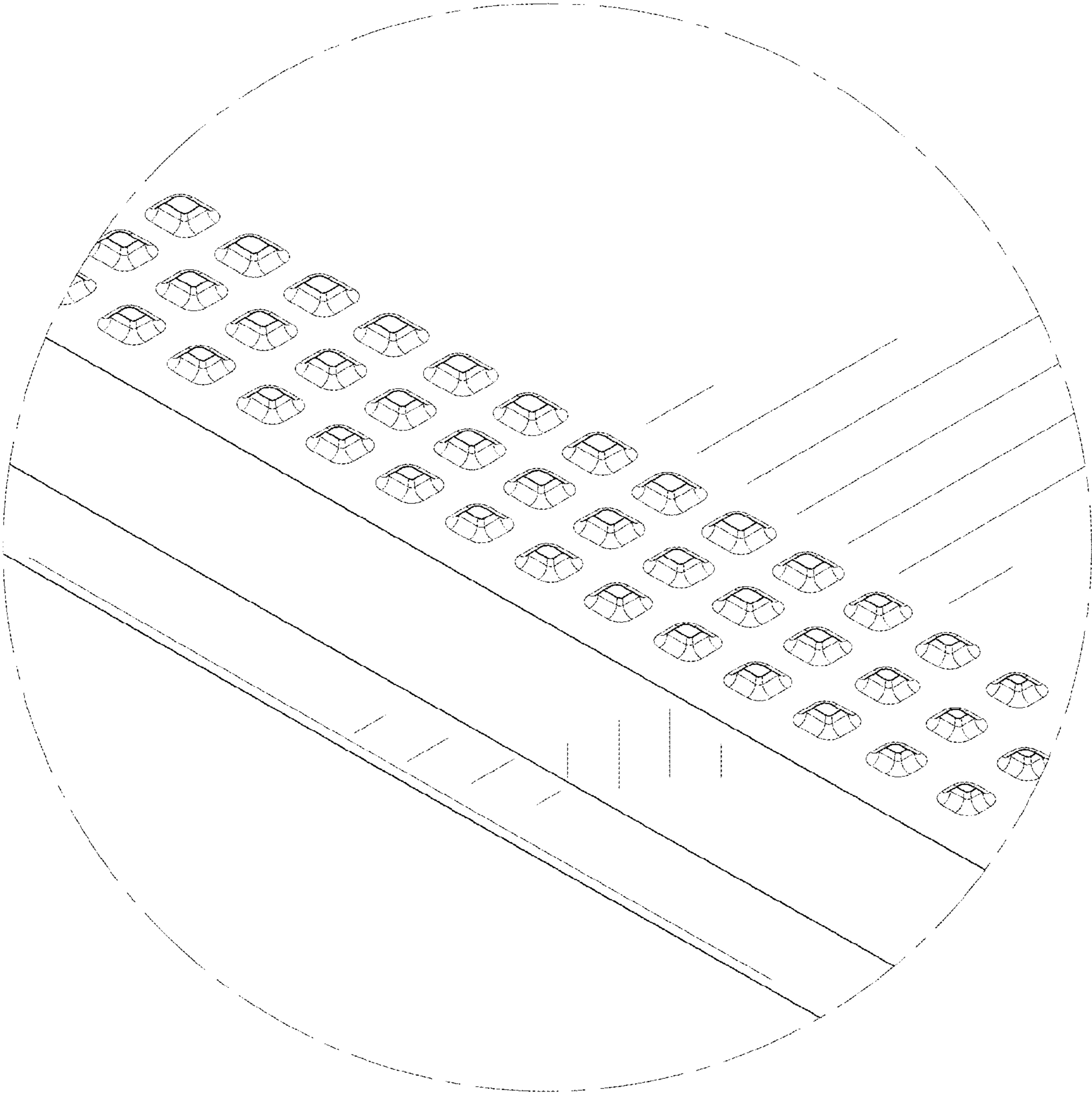


FIG.10