



US00D951632S

(12) **United States Design Patent**  
**Tran et al.**

(10) **Patent No.:** **US D951,632 S**  
(45) **Date of Patent:** **\*\* May 17, 2022**

(54) **WALLET**

(71) Applicants: **Thuan Tran**, Santa Clara, CA (US);  
**Charlie Carroll**, Palo Alto, CA (US);  
**Binh Tran**, Santa Clara, CA (US)

(72) Inventors: **Thuan Tran**, Santa Clara, CA (US);  
**Charlie Carroll**, Palo Alto, CA (US);  
**Binh Tran**, Santa Clara, CA (US)

(73) Assignee: **Dango Products, LLC**, Portola Valley,  
CA (US)

(\*\*) Term: **15 Years**

(21) Appl. No.: **29/754,200**

(22) Filed: **Oct. 7, 2020**

(51) **LOC (13) Cl.** ..... **03-01**

(52) **U.S. Cl.**  
USPC ..... **D3/247**

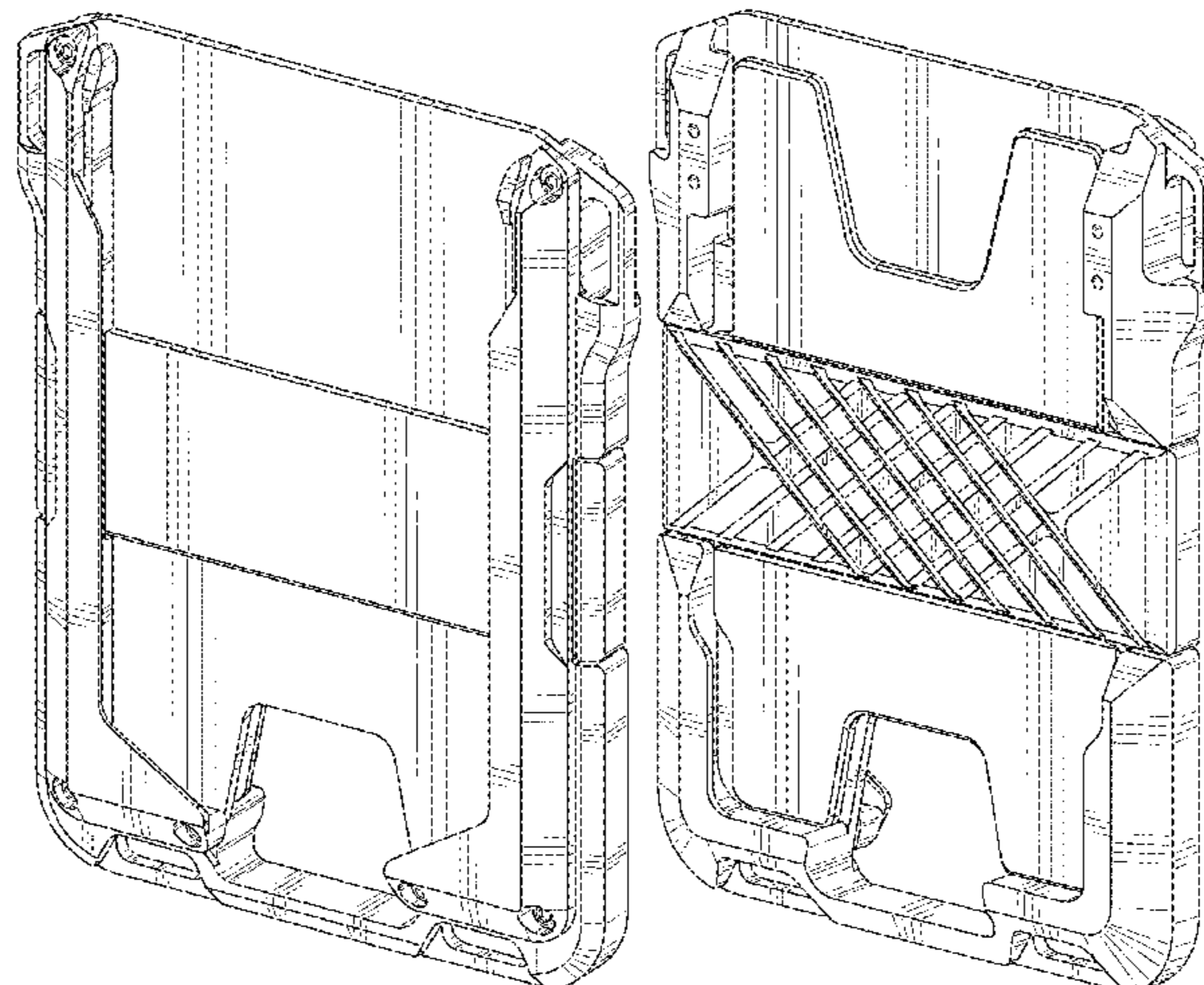
(58) **Field of Classification Search**  
USPC ..... D3/247, 249-253; D8/16, 19, 105;  
D11/78.1  
CPC ... A45C 1/06; A45C 11/182; A45C 2001/065;  
A45C 2001/067  
See application file for complete search history.

(56) **References Cited**

**U.S. PATENT DOCUMENTS**

3,461,469	A	8/1969	Morrision
D266,479	S	10/1982	Hayakawa
4,763,821	A	8/1988	Powell
D314,865	S	2/1991	Tuisku
D322,039	S	12/1991	Chien
D360,815	S	8/1995	Padden
D374,388	S	10/1996	Padden
D384,499	S	10/1997	Gaestel
5,944,080	A	8/1999	Podwika
D416,581	S	11/1999	Cheng
6,009,584	A	1/2000	Padden
6,044,967	A	4/2000	Painsith
6,076,665	A	6/2000	Chuang
D431,105	S	9/2000	Ling
6,145,994	A	11/2000	Ng

D434,624	S	12/2000	Padden	
6,276,414	B1	5/2001	Bibb	
D444,060	S	6/2001	Elsener	
6,347,875	B1	2/2002	Painsith	
D462,000	S	8/2002	Hightower	
6,427,837	B1	8/2002	Shields	
6,460,698	B1	10/2002	Wang	
6,823,910	B1	11/2004	Elnekaveh	
D517,390	S	3/2006	Cheng	
D525,162	S	7/2006	Suman	D11/78.1
7,334,616	B2	2/2008	Kaminski	
7,604,028	B2	10/2009	Bridgefarmer	
7,918,335	B1	4/2011	Kitchen	
8,251,210	B2	8/2012	Schmidt	
D685,990	S	7/2013	Zhang	
D690,931	S	10/2013	Minn	
8,567,459	B2	10/2013	Kitchen	
D695,013	S	12/2013	Minn	
D701,043	S	3/2014	Minn	
8,726,952	B2	5/2014	Jambunathan	
D707,091	S	6/2014	Barr	
D716,043	S	10/2014	Wilk	D3/247
9,125,464	B2	9/2015	Minn	
9,125,465	B2	9/2015	Beckley	
D743,760	S	11/2015	Barr	
D751,877	S	3/2016	Shlaferman	
D755,764	S	5/2016	Dong	
9,339,094	B2	5/2016	Tucker-Skow	
D765,487	S	9/2016	Barr	
D768,382	S	10/2016	Wu	D3/247
D768,383	S	10/2016	Wu	
D770,775	S	11/2016	Robertson, III	D3/318
D772,678	S	11/2016	Haarburger	
D775,824	S	1/2017	King	
D780,449	S	3/2017	King	
9,648,931	B2	5/2017	Sha	
9,661,908	B2	5/2017	Mayer	
D792,749	S	7/2017	Faro	
D798,591	S	10/2017	King	
D799,301	S	10/2017	Cetera	
9,775,328	B1	10/2017	Fidrych	
9,815,212	B2	11/2017	Barr	
D805,873	S	12/2017	Cetera	
D806,386	S	1/2018	King	
D808,765	S	1/2018	Kisling	
D809,792	S	2/2018	Moon	A45C 11/182 D3/247
9,907,375	B1	3/2018	Kitchen	
D814,182	S	4/2018	Haarburger	
D814,183	S	4/2018	Haarburger	
D815,932	S	4/2018	Lee	
D815,935	S	4/2018	Barak	
D817,196	S	5/2018	Haarburger	



# US D951,632 S

D817,316	S	5/2018	Strour	
D827,408	S	9/2018	Stefanczyk-Lacor	
10,080,409	B2	9/2018	King	
D831,349	S	10/2018	Deng	
10,123,596	B2	11/2018	King	
D835,410	S	12/2018	Chan	
10,206,473	B2	2/2019	Haarburger	
D842,070	S	3/2019	Kisling	
D845,623	S	4/2019	Sullivan	
D856,956	S	8/2019	Liu	
10,368,618	B2	8/2019	Richards	
D860,645	S	9/2019	Wu	
D861,339	S *	10/2019	Moon	D3/247
D866,177	S	11/2019	Leh	
D866,178	S	11/2019	Jin	
D866,276	S	11/2019	Shlaferman	
D866,964	S	11/2019	Tran	
D868,463	S	12/2019	Tran	
10,512,316	B2	12/2019	Haarburger	
D875,490	S	2/2020	Barr	
D877,513	S *	3/2020	Duncan	D3/318
D877,594	S	3/2020	Liang	
D878,891	S	3/2020	Polczynski	
D878,893	S	3/2020	Kao	
D879,580	S	3/2020	Spater	
10,595,611	B2	3/2020	Berkley	
D881,671	S	4/2020	Kao	
D884,339	S	5/2020	Li	
D884,792	S	5/2020	Swallow	
D887,708	S	6/2020	Tran	
D890,525	S *	7/2020	Leh	D3/318
D893,975	S	8/2020	Tran	
D895,276	S *	9/2020	Leh	D3/247
D895,961	S *	9/2020	Swan	D3/222
D895,963	S *	9/2020	Anderson	D3/247
D896,506	S *	9/2020	Anderson	D3/232
10,791,808	B2	10/2020	Kane	
D904,016	S	12/2020	Jacobsen	
D908,351	S	1/2021	Hoffman	
D908,352	S *	1/2021	Pirker	D3/247
D909,059	S *	2/2021	Leh	D3/247
D917,879	S *	5/2021	Chui	D3/247
D930,981	S *	9/2021	Ghazzaoui	D3/247
D932,182	S *	10/2021	Foy	D3/247
D934,560	S *	11/2021	Tran	D3/247
2002/0179463	A1	12/2002	Newman	
2009/0199940	A1	8/2009	Toner	
2012/0228168	A1	9/2012	Kitchen	
2013/0056119	A1	3/2013	Henriette	
2013/0276943	A1	10/2013	Minn et al.	
2014/0143958	A1	5/2014	Barr	
2015/0240524	A1	8/2015	Olroyd	
2016/0324283	A1 *	11/2016	Kane	A45C 1/06
2016/0374443	A1	12/2016	Kim	
2017/0035169	A1	2/2017	Haarburger	
2017/0055654	A1 *	3/2017	King	A45C 11/182
2017/0119115	A1	5/2017	King	
2017/0265610	A1	9/2017	Smith	
2018/0325228	A1	11/2018	Leimer	
2019/0008253	A1	1/2019	Deng	
2019/0318667	A1 *	10/2019	Freeman	G09F 3/14
2019/0365066	A1 *	12/2019	Hill	A45C 11/18
2020/0077758	A1	3/2020	Hoffman	
2020/0229557	A1	7/2020	Tran	
2020/0305564	A1 *	10/2020	Myers	A45C 11/182
2020/0379509	A1	12/2020	Coward	
2021/0112935	A1	4/2021	Tran	
2021/0330045	A1 *	10/2021	Tran	A45C 1/06
2021/0337945	A1 *	11/2021	Popoff	A45C 1/06

## FOREIGN PATENT DOCUMENTS

KR 20140003803 U 6/2014

## OTHER PUBLICATIONS

“Dango M1 Maverick Rail EDC Wallet—Made in USA—All-Metal, Minimalist, Slim, RFID Blocking”, first available Oct. 9,

2019, Amazon.com, site visited Nov. 15, 2021: [“Dango M1 Maverick Rail Wallet”, first available Oct. 7, 2019, Dango Products on YouTube.com, site visited Nov. 15, 2021: \[“M1 Maverick™ Rail Wallet”, dangoproducts.com, site visited Nov. 15, 2021: \\[Onward Innovation—RFID Carbon Fiber Cash Strap Wallet—Downloaded Apr. 9, 2021—Available from Internet <URL: <https://onwardinnovation.com/products/rfid-carbon-fiber-cash-strap-wallet?variant=31920056205360&currency=USD>>.\\]\\(https://www.dangoproducts.com/products/m1-maverick-rail-wallet \\(Year: 2021\\).\\*</a></p>
</div>
<div data-bbox=\\)\]\(https://www.youtube.com/watch?v=5xTPdgAZkL8 \(Year: 2019\).\*</a></p>
</div>
<div data-bbox=\)](https://www.amazon.com/Dango-M1-Maverick-Rail-Wallet/dp/B07YJWJK9Z/ref=sr_1_3_sspa?crd=2176B65TQ1Y5M&keywords=dango+m1+maverick+wallet&qid=1636740285&sprefix=dango+M1+maverick+%2Caps%2C157&sr=8-3-spons&psc=1&spLa=ZW5jenlwdGVkUXVhbGlm aWVyPUEyTFICWjFIVjJlOFIaJmVuY3J5cHRIZEikPUEwNDk5MTk0M1QyUkNCS0ZEVDJUSiZlbnNyeXB0ZWRBZEikPUEwMDkyNzE3MVIUSktHMEtCN1VKTyZ3aWRnZXROYW1IPXNwX2F0ZiZhY3Rpb249Y2xpY2tSZWRpcmVjdCZkb05vdExvZ0NsaWNrPXRydWU= (Year: 2019).*</p>
</div>
<div data-bbox=)

Ridge—Aluminum-Black—Downloaded Apr. 9, 2021—Available from Internet <URL: <https://ridge.com/products/aluminum-black?>>.

Titan X—Titan X | Pro Edition—Downloaded Apr. 9, 2021—Available from Internet <URL: <https://titanxwallet.com/products/edition?currency=USD&variant=33003264409643>>.

Alpine Swiss—Alpine Swiss Genuine Leather Super Thing Slim Cash Strap Front Pocket Wallet—Downloaded Apr. 9, 2021—Available from Internet <URL: <https://www.alpineswiss.com/alpine-swiss-genuine-leather-super-thin-slim-cash-strap-front-pocket-wallet/>>.

Simple Zone—Carbon Fiber Wallet for Men, Simple Zone RFID Blocking Slim Minimalist Card Holder Wallet with Money Clip and Cash Strap—First available Jun. 18, 2020—Downloaded Apr. 9, 2021—Available from Internet <URL: <https://www.amazon.com/Carbon-Simple-Zone-Blocking-Minimalist/dp/B08BG4G8GJ>>.

Dango Products—T01 Tactical Bifold Wallet-Spec-Ops-Blueline—Downloaded Apr. 9, 2021—Available from Internet <URL: <https://www.dangoproducts.com/products/t01-tactical-bifold-wallet-blueline-spec-ops?variant=21433891881044>>.

Dango Products—M1 Maverick Wallet—First available Jan. 12, 2019—Downloaded May 24, 2021—Available from Internet <URL: [https://www.amazon.com/dp/B07MMDRGCV/ref=as\\_li\\_ss\\_tl?ie=UTF8&linkCode=sl1&tag=k1a209-20&linkId=8c261f44b8217cb2913188b624fa5e66&language=en\\_US](https://www.amazon.com/dp/B07MMDRGCV/ref=as_li_ss_tl?ie=UTF8&linkCode=sl1&tag=k1a209-20&linkId=8c261f44b8217cb2913188b624fa5e66&language=en_US)>.

Dango Products—M1 Maverick Bifold Wallet—Video by user Dango Products—First available Nov. 29, 2018—Downloaded May 24, 2021—Available from Internet <URL: [https://www.youtube.com/watch?v=kqF\\_xCWWLOU](https://www.youtube.com/watch?v=kqF_xCWWLOU)>.

Muradin—Dapper Leather Bifold Wallet—First available Nov. 22, 2020—Downloaded May 24, 2021—Available from Internet <URL: <https://www.amazon.com/MURADIN-Dapper-Leather-Bifold-Wallet/dp/B07ZPXH81N?th=1>>.

Dango Products—A10 Adapt Wallet—Downloaded May 25, 2021—Available from Internet <URL: <https://www.dangoproducts.com/collections/a-series-wallets/products/a10-adapt-wallet>>.

Hanker—Carbon Fiber Aluminum Metal Minimalist Wallet—First available Feb. 7, 2019—Downloaded May 25, 2021—Available from Internet <URL: <https://www.amazon.com/Carbon-Aluminum-Minimalist-Wallet-Blocking/dp/B07NHNK6P55>>.

ELV—ELV Badge Holder Wallet—First available Jan. 21, 2019—Downloaded May 25, 2021—Available from Internet <URL: [https://www.amazon.com/ELV-Aluminum-Release-Offices-License/dp/B07MZJYVBX/ref=asc\\_df\\_B07MZJYVBX/?tag=hyprod-20&linkCode=df0&hvadid=312158528332&hvpos=&hvnetw=g&hvrand=11777945990320224546&hvpone=&hvptwo=&hvpqmt=&hvdev=c&hvfvcmdl=&hvlocint=&hvlocphy=9008148&hvtargid=pla-653426231968&psc=1](https://www.amazon.com/ELV-Aluminum-Release-Offices-License/dp/B07MZJYVBX/ref=asc_df_B07MZJYVBX/?tag=hyprod-20&linkCode=df0&hvadid=312158528332&hvpos=&hvnetw=g&hvrand=11777945990320224546&hvpone=&hvptwo=&hvpqmt=&hvdev=c&hvfvcmdl=&hvlocint=&hvlocphy=9008148&hvtargid=pla-653426231968&psc=1)>.

Elephant Wallet—N Wallet Carbon Fiber-Fabric Rubber—Downloaded Mar. 17, 2021—Available from Internet <URL: <https://elephantwallet.com/products/n-wallet-carbon-fiber>>.

Elephant Wallet—How Does It Work (X Wallet)—Downloaded Mar. 17, 2021—Available from Internet <URL: <https://elephantwallet.com/pages/how-does-it-work>>.

Wallet Gear—Bifold Leather Wallet with Elastic Band—Downloaded Mar. 17, 2021—Available from Internet <URL: <https://www.walletgear.com/bifold-leather-wallet-with-elastic-band.html>>.

Curated Basics—Elastic Band Minimalist Wallet—Downloaded Mar. 17, 2021—Available from Internet <URL: <https://www.curatedbasics.com/products/elastic-band>>.

Dango Products, “Wallet Collections”, Web page <URL: [www.dangoproducts.com/collections/wallets](http://www.dangoproducts.com/collections/wallets)>, Oct. 19, 2017, Retrieved from Internet Archive Wayback Machine <URL: <https://web.archive.org/web/20171019082039/www.dangoproducts.com/collections/wallets>> on Oct. 23, 2020.

\* cited by examiner

*Primary Examiner* — Jennifer L Watkins

*Assistant Examiner* — Samantha Lynne Brodowski

(74) *Attorney, Agent, or Firm* — Gallium Law; Wesley Schwie, Esq.; Isabel Fox

(57)

**CLAIM**

The ornamental design for a wallet, as shown and described.

**DESCRIPTION**

FIG. 1 is a front, first side, and top perspective view of a wallet embodying the new design;

FIG. 2 is a back, second side, and top perspective view thereof;

FIG. 3 is a front view thereof;

FIG. 4 is a back view thereof;

FIG. 5 is a first side view thereof;

FIG. 6 is a second side view thereof;

FIG. 7 is a top view thereof; and,

FIG. 8 is a bottom view thereof.

**1 Claim, 8 Drawing Sheets**

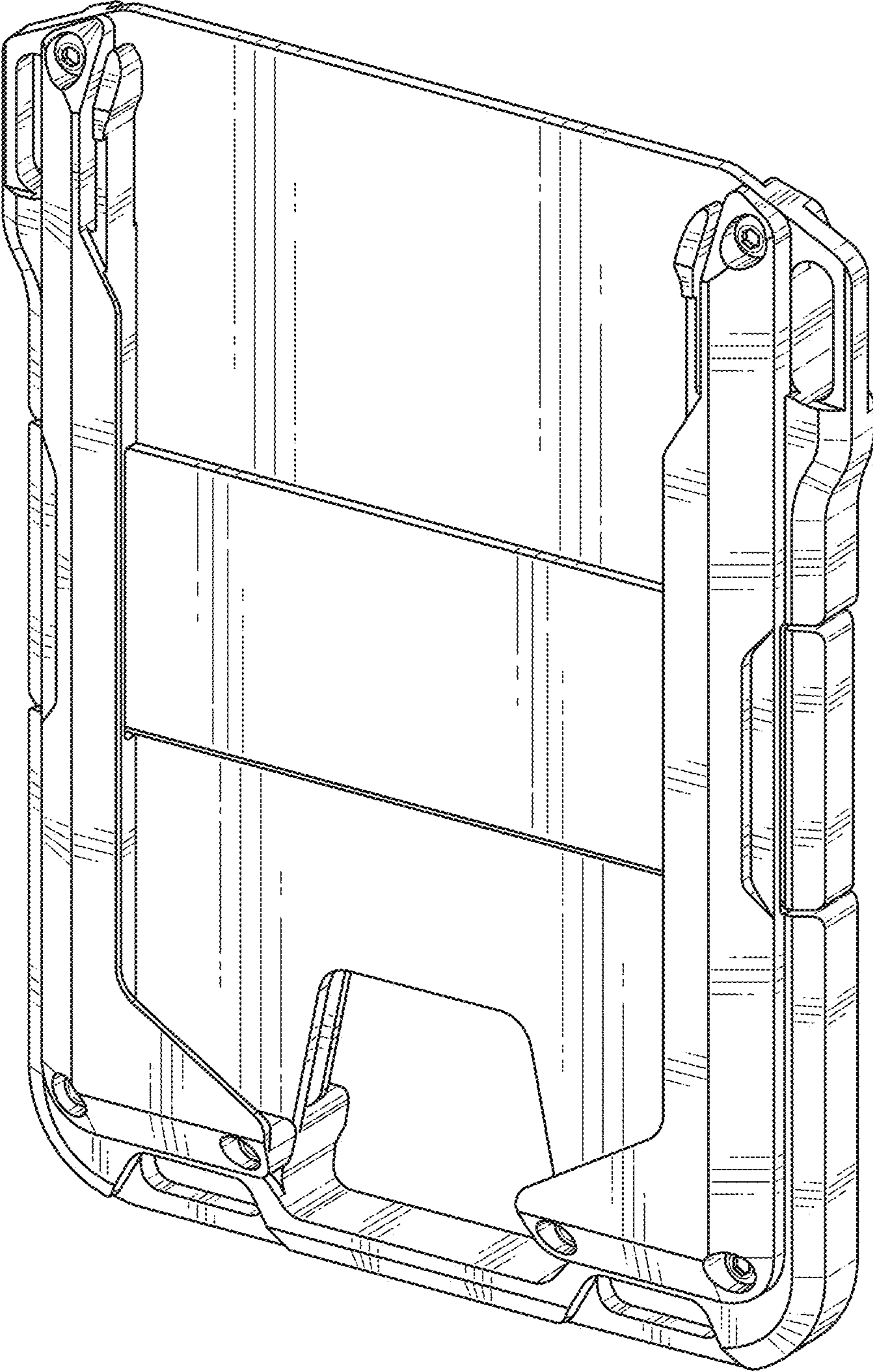


FIG. 1

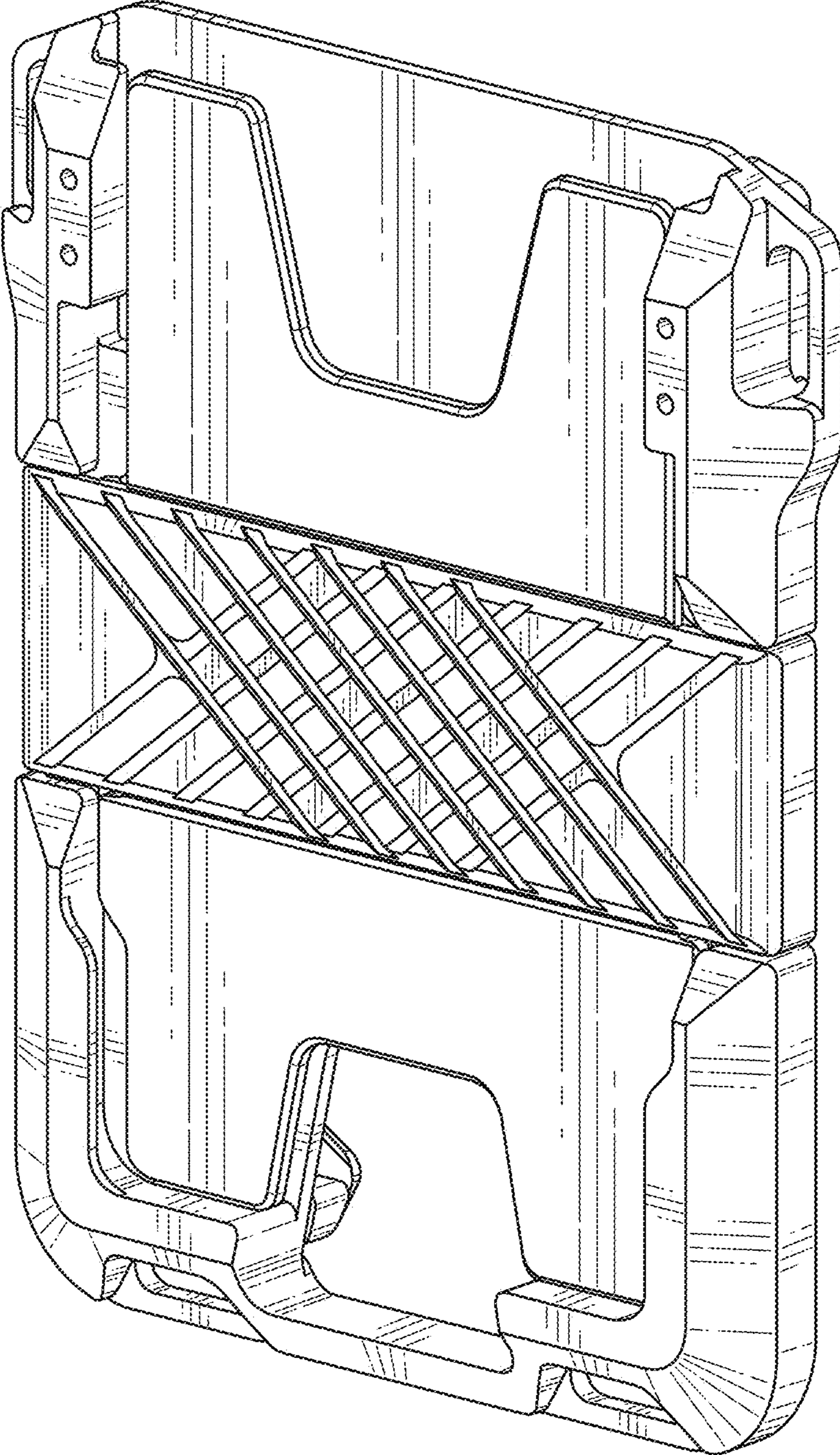


FIG. 2

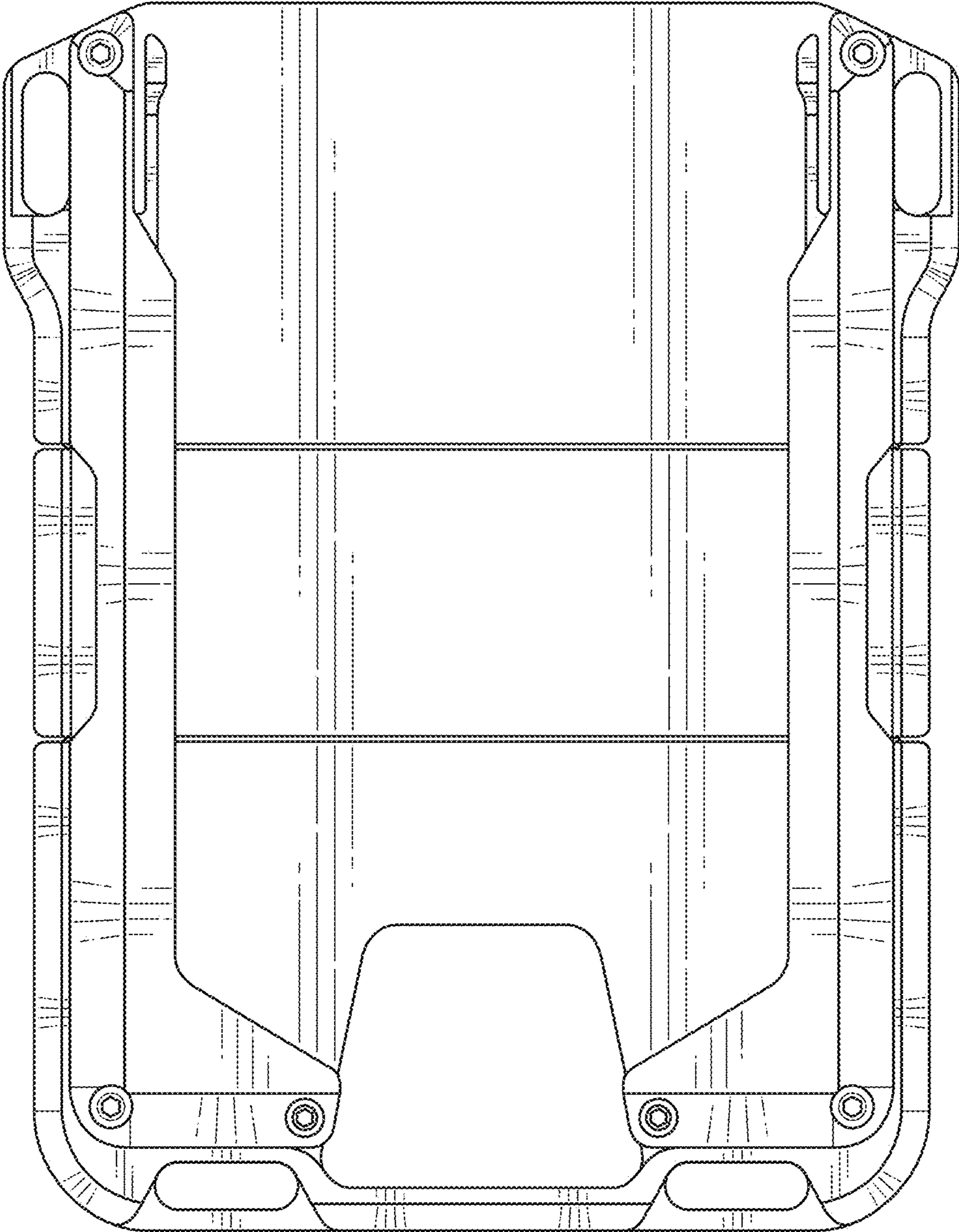


FIG. 3

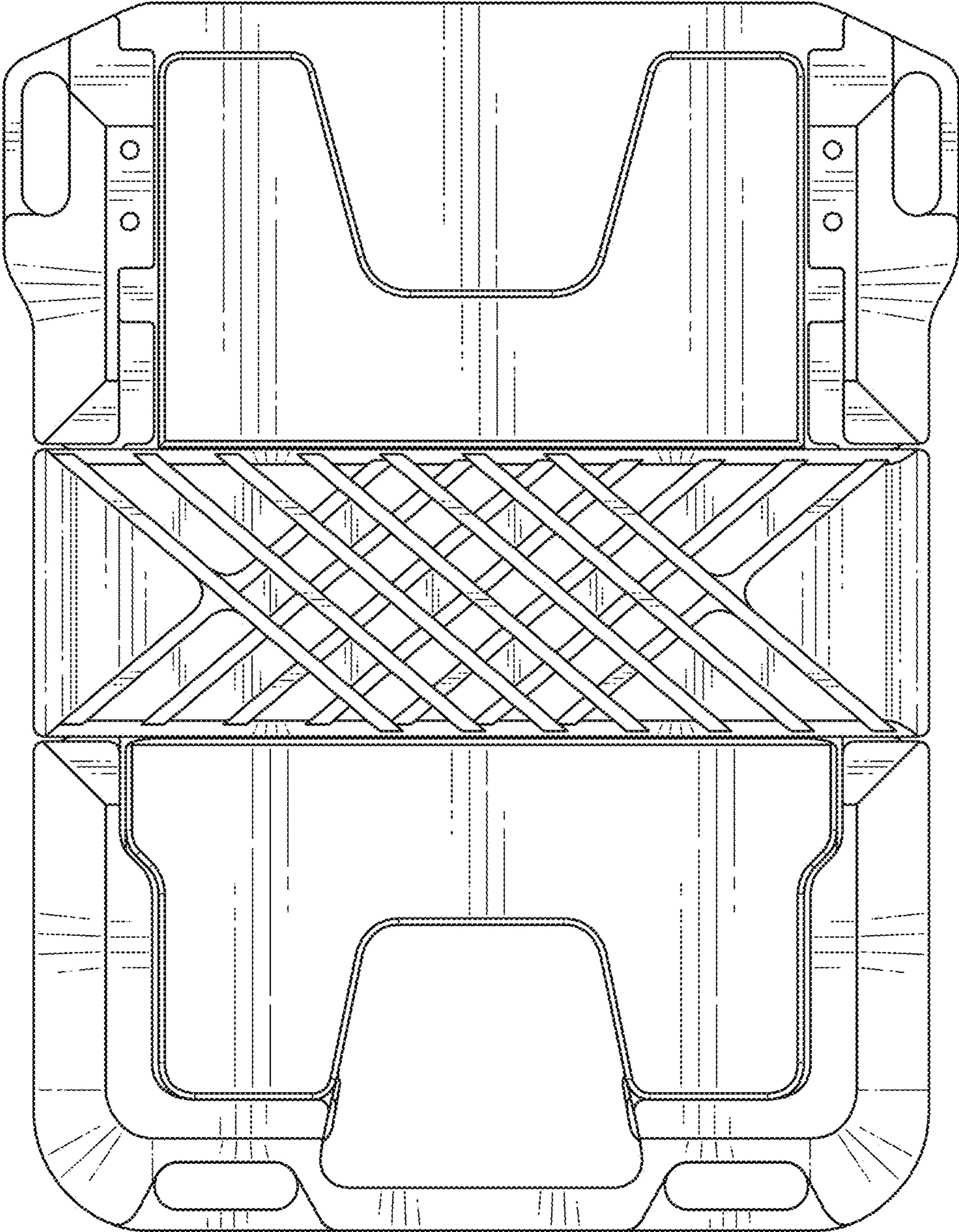


FIG. 4

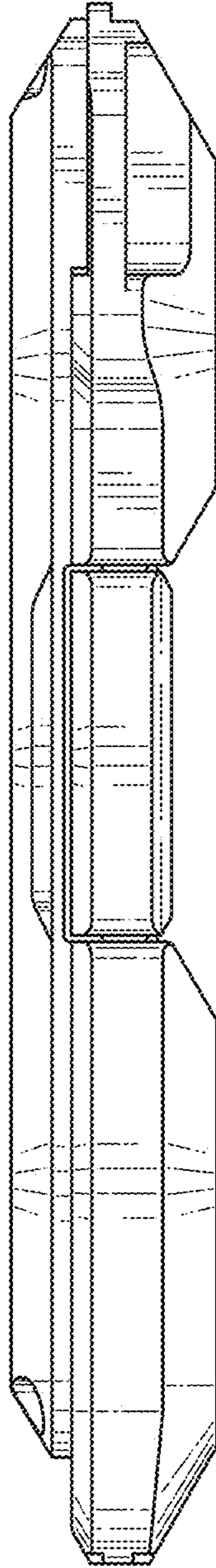


FIG. 5



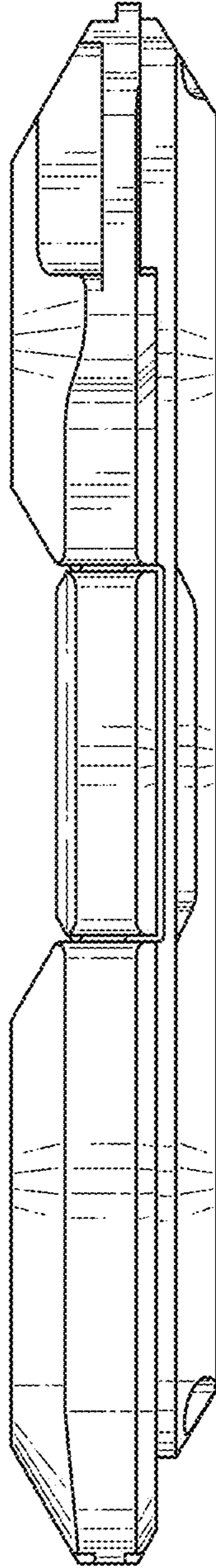


FIG. 6

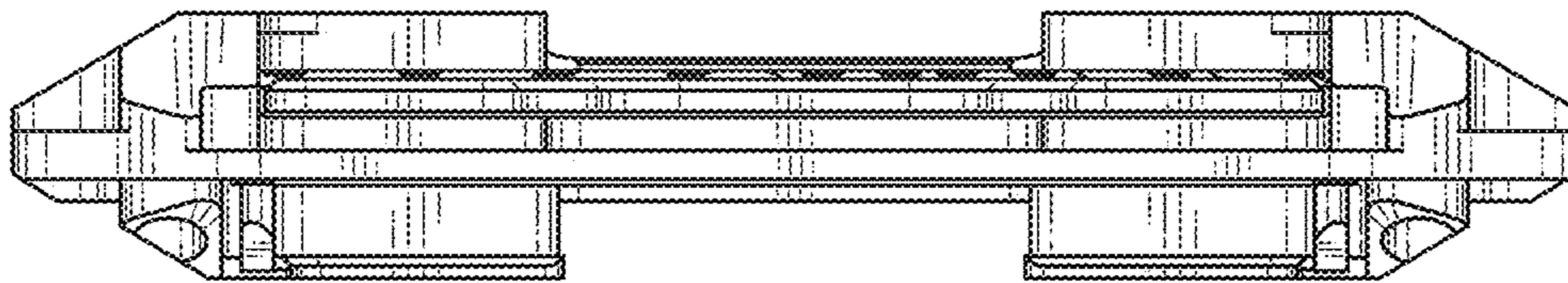


FIG. 7

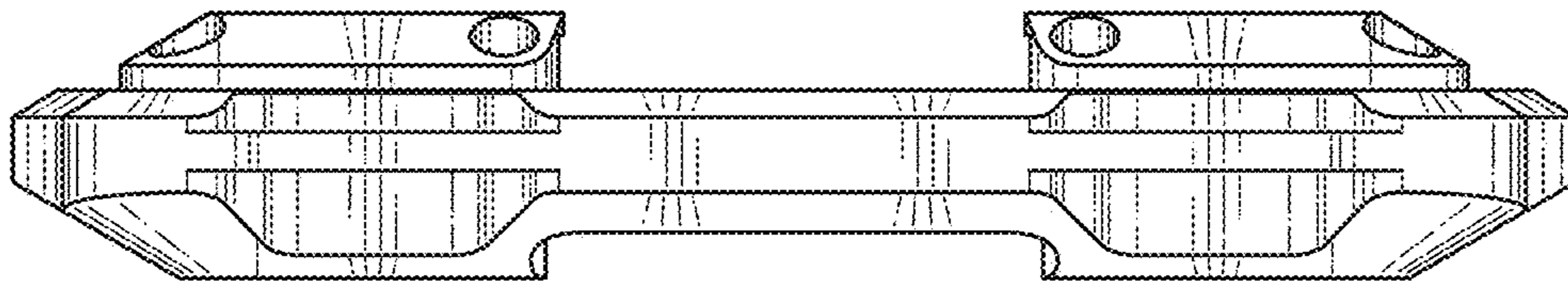


FIG. 8