



US00D951630S

(12) **United States Design Patent** (10) **Patent No.:** **US D951,630 S**
Abloh et al. (45) **Date of Patent:** **** May 17, 2022**

(54) **BAG**
(71) Applicant: **OFF-WHITE, LLC**, New York, NY (US)
(72) Inventors: **Virgil Abloh**, New York, NY (US); **Wayne Fitzell**, Milan (IT)
(73) Assignee: **OFF-WHITE, LLC**, New York, NY (US)
(**) Term: **15 Years**
(21) Appl. No.: **29/752,165**
(22) Filed: **Sep. 25, 2020**
(51) **LOC (13) Cl.** **03-01**
(52) **U.S. Cl.** **D3/243**
USPC **D3/243**
(58) **Field of Classification Search**
USPC D3/218, 232–234, 238, 243–249, 303; D14/250–253
CPC A45C 13/02; A45C 15/00; A45C 13/001; A45C 3/00; A45C 3/06
See application file for complete search history.

D669,265 S * 10/2012 Pent D3/243
D703,527 S * 4/2014 Fuller D9/418
D706,537 S * 6/2014 Brandt D3/247
D723,022 S * 2/2015 Miles D14/253
(Continued)

FOREIGN PATENT DOCUMENTS

EM 008281695-0001 * 11/2020
GB 9008281695-0001 * 11/2020

OTHER PUBLICATIONS

“Off-White Meteor Cutout Leather Cross-body Bag In Black”, first seen Jan. 2021, modesens.com, site visited Oct. 13, 2021: <https://modesens.com/product/off-white-meteor-cutout-leather-cross-body-bag-black-27343351/> (Year: 2021).*

Primary Examiner — Jennifer L Watkins
Assistant Examiner — Samantha Lynne Brodowski
(74) *Attorney, Agent, or Firm* — Epstein Drangel LLP; Robert L. Epstein

(57) **CLAIM**

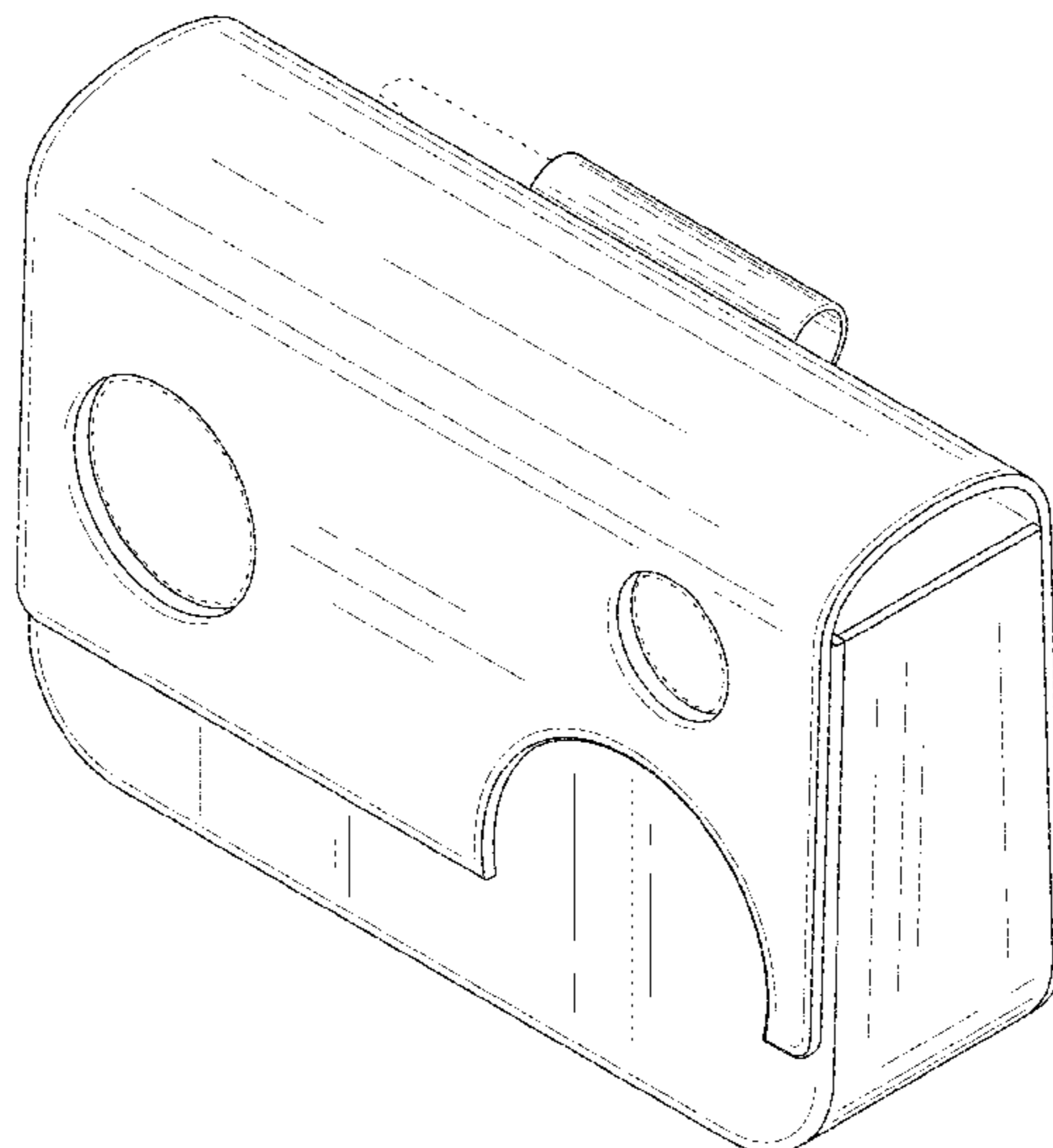
The ornamental design for a bag, substantially as shown and described.

DESCRIPTION

FIG. 1 is an isometric view of a bag showing the top, front and right side thereof;
FIG. 2 is an isometric view showing the bottom, rear and left side thereof,
FIG. 3 is a front elevation view thereof;
FIG. 4 is a rear elevation view thereof,
FIG. 5 is an elevation view of the left side thereof,
FIG. 6 is an elevation view of the right side thereof;
FIG. 7 is a top plan view thereof; and,
FIG. 8 is a bottom plan view thereof.
The portions in the figures which are shown in broken lines are intended to show the environment in which the bag is used and do not form a part of the claimed design.

1 Claim, 6 Drawing Sheets

(56) **References Cited**
U.S. PATENT DOCUMENTS
1,532,030 A * 3/1925 Bonime A45C 15/04 150/106
2,218,396 A * 10/1940 Hallbauer A45C 15/06 362/156
2,561,979 A * 7/1951 George B65D 5/68 229/125.21
3,346,155 A * 10/1967 Oechsle A45F 5/12 294/141
D302,766 S * 8/1989 Johnston D3/233
D334,838 S * 4/1993 Muse D3/246
D393,366 S * 4/1998 Kopel D3/233
D403,151 S * 12/1998 Heredos-Formby D3/246
D485,983 S * 2/2004 Gilad D3/232
D582,152 S * 12/2008 Rappaport D3/233
D626,337 S * 11/2010 Tartaglia D3/318



(56)

References Cited

U.S. PATENT DOCUMENTS

D730,644	S	*	6/2015	Basha	D3/243
D745,268	S	*	12/2015	Slimane	D3/232
D756,105	S	*	5/2016	Zhang	D3/218
D764,166	S	*	8/2016	Kuwakubo	D3/246
D767,883	S	*	10/2016	Sherman	D3/243
D781,052	S	*	3/2017	Blahnik	D3/232
D792,208	S	*	7/2017	Borkovetz	D9/418
D806,384	S	*	1/2018	Lopez Montoya	D3/243
D816,340	S	*	5/2018	Rosella	D3/318
D870,455	S	*	12/2019	Yang	D3/226
D925,218	S	*	7/2021	Abloh	D3/243
D933,953	S	*	10/2021	Lu	D3/243
D935,174	S	*	11/2021	Dumas	A45C 1/00
					D3/243
D935,767	S	*	11/2021	Louboutin	D3/243

* cited by examiner

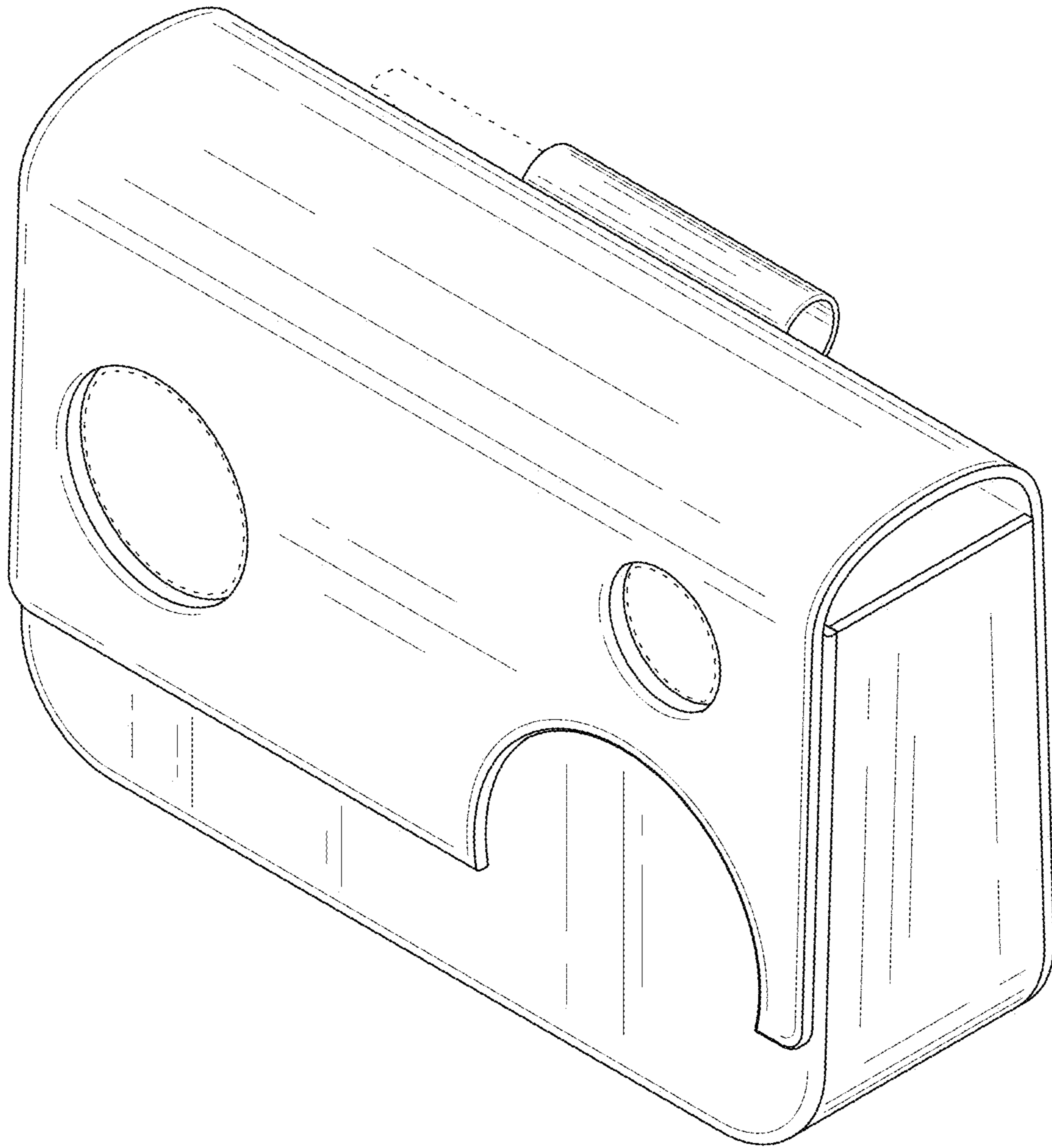


FIG. 1

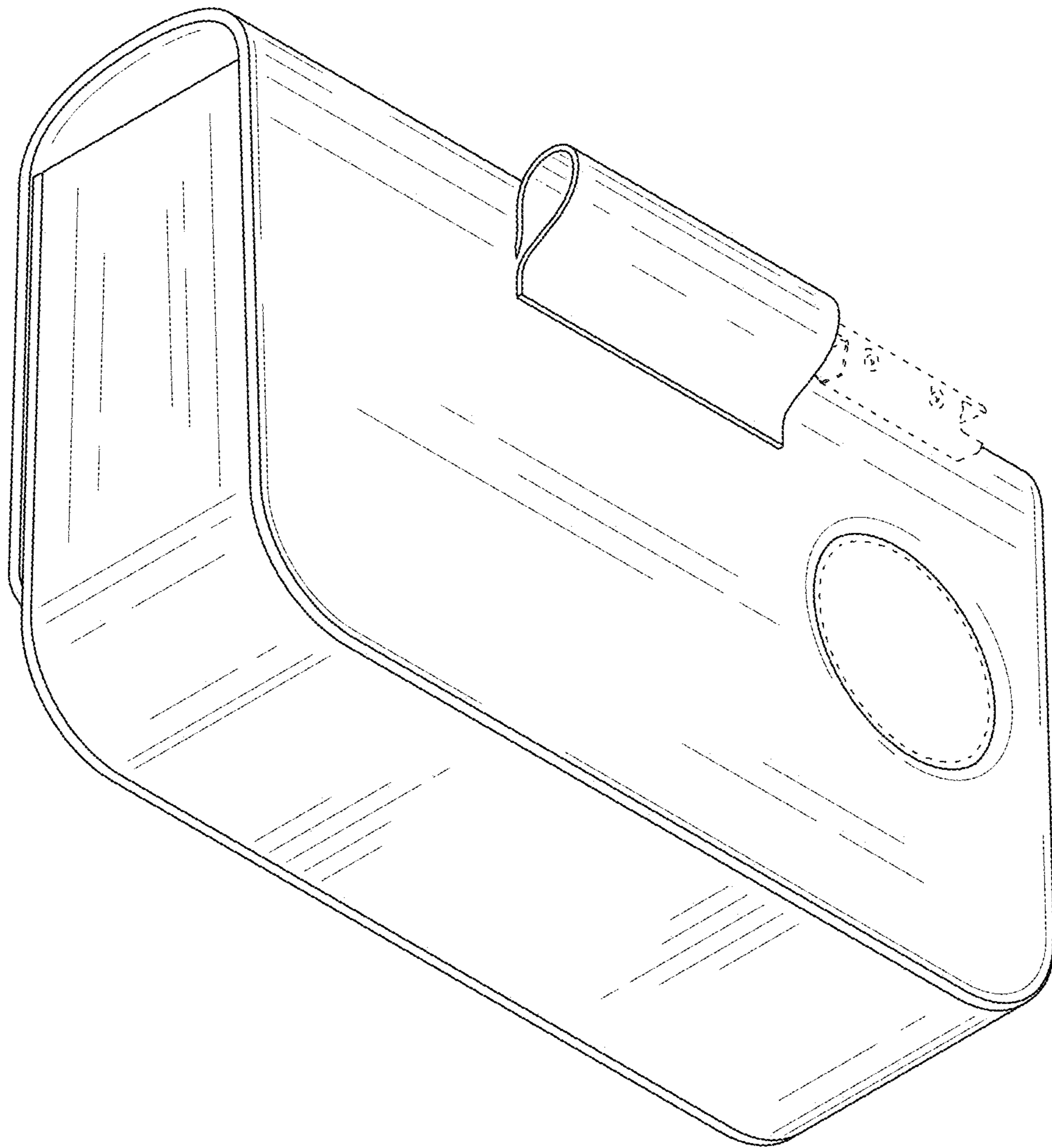


FIG. 2

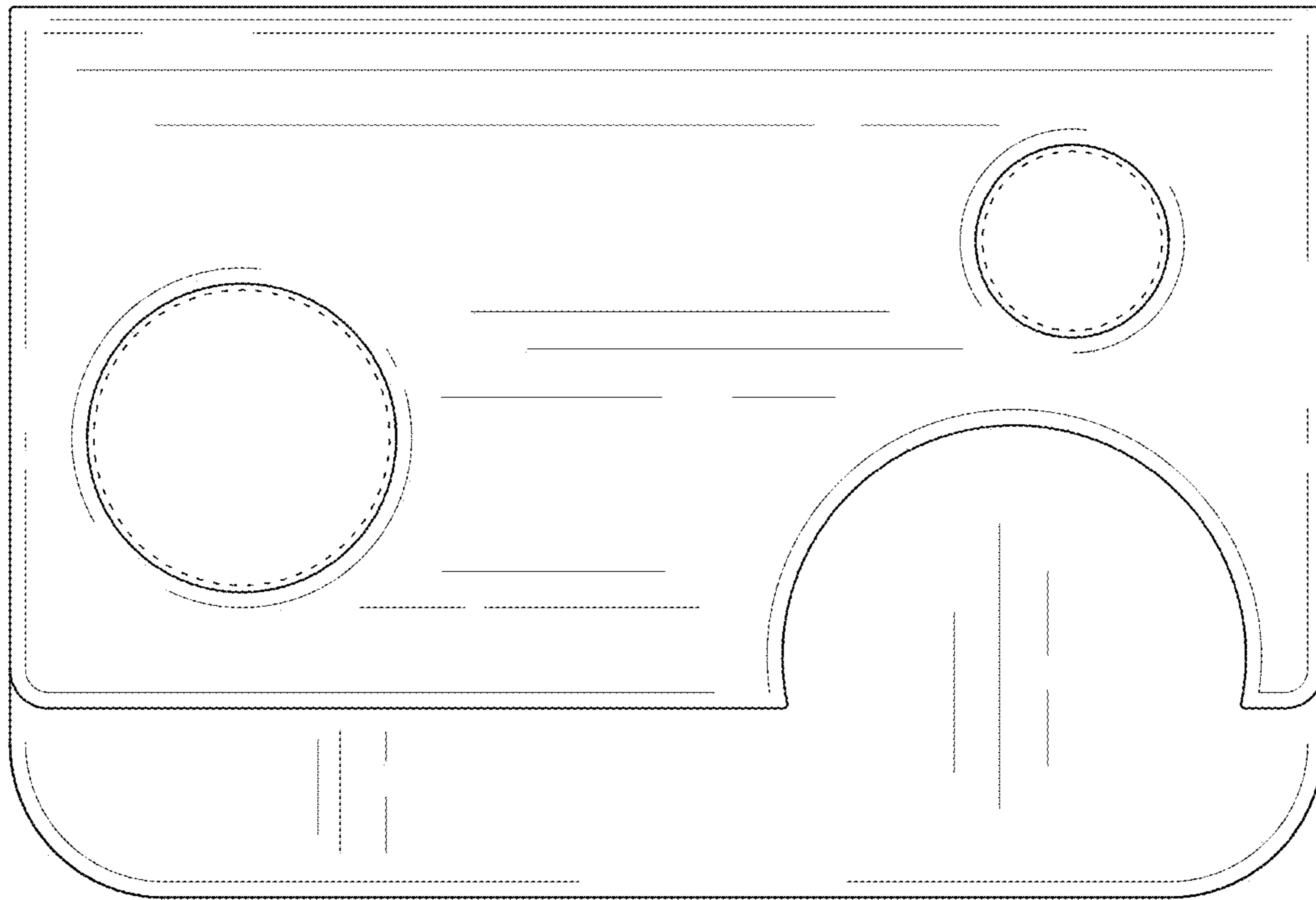


FIG. 3

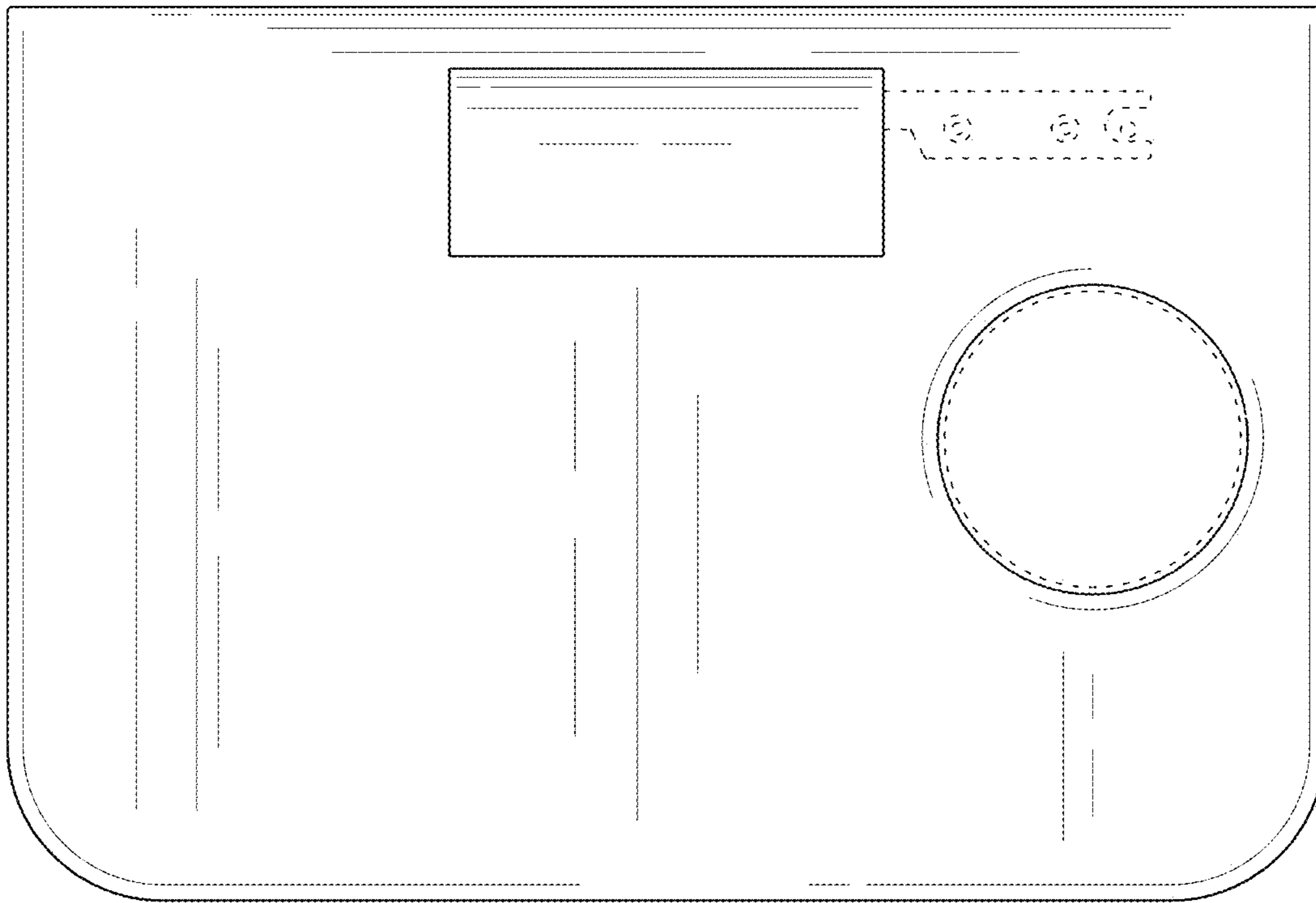


FIG. 4

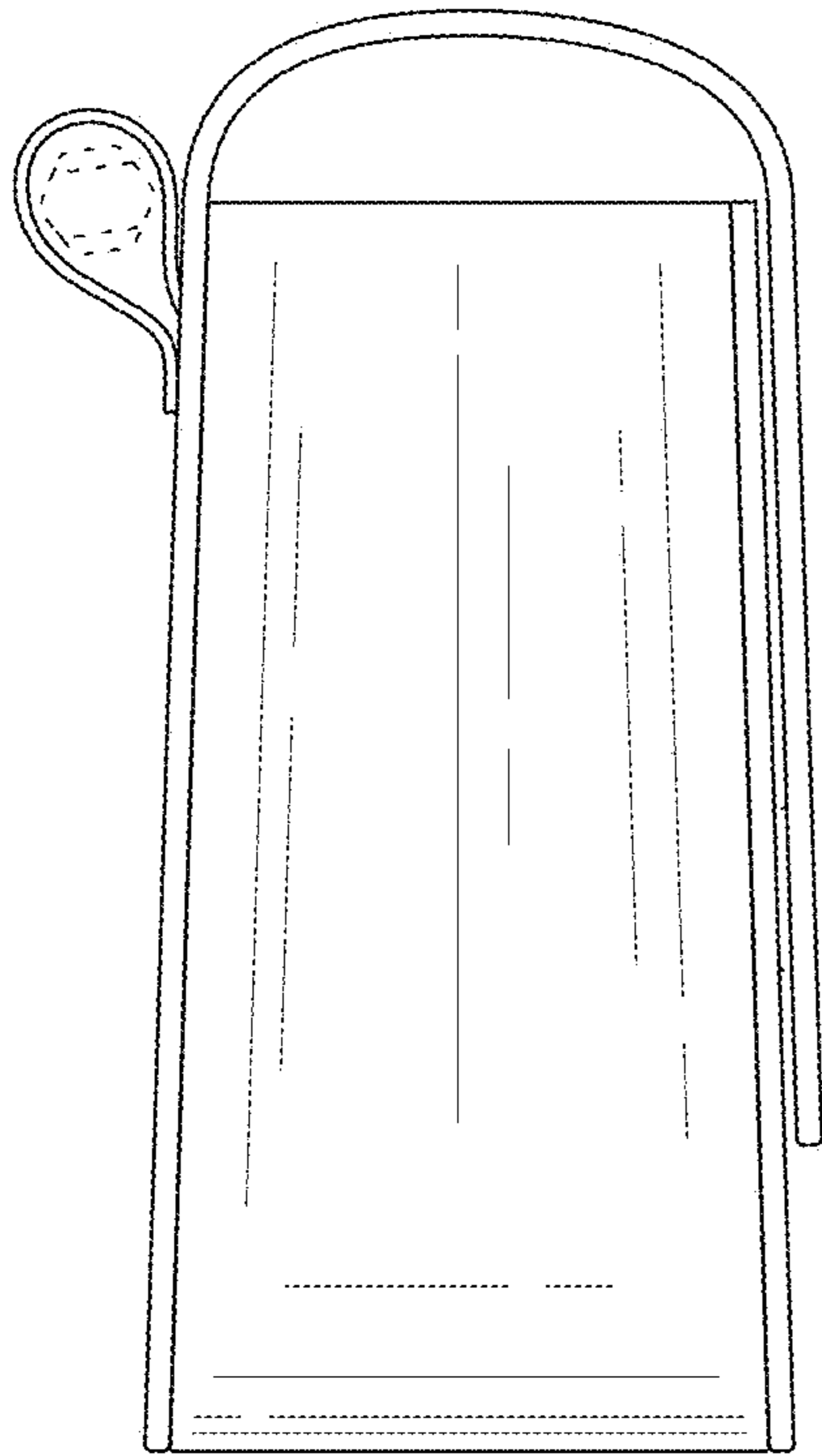


FIG. 5

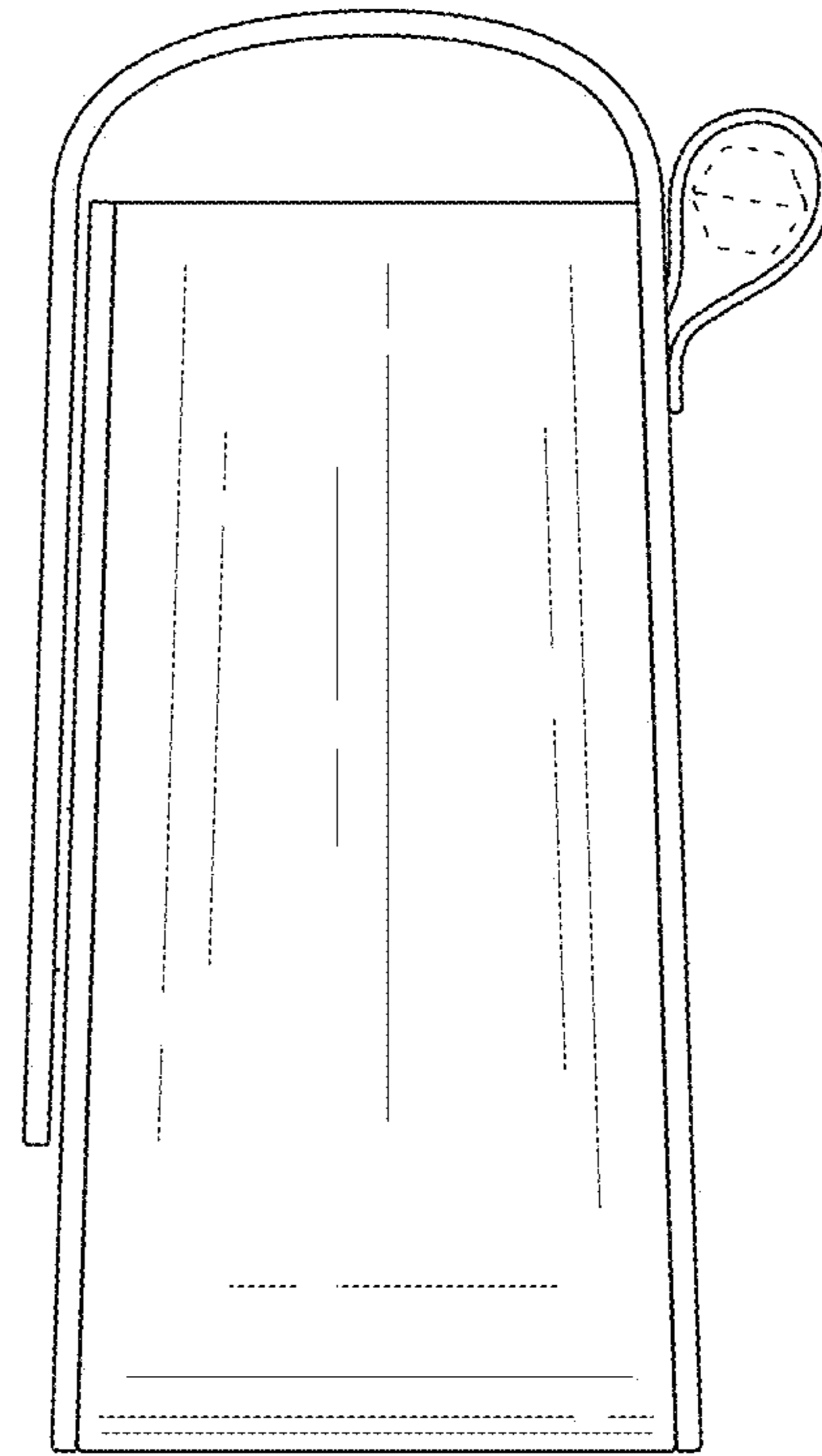


FIG. 6

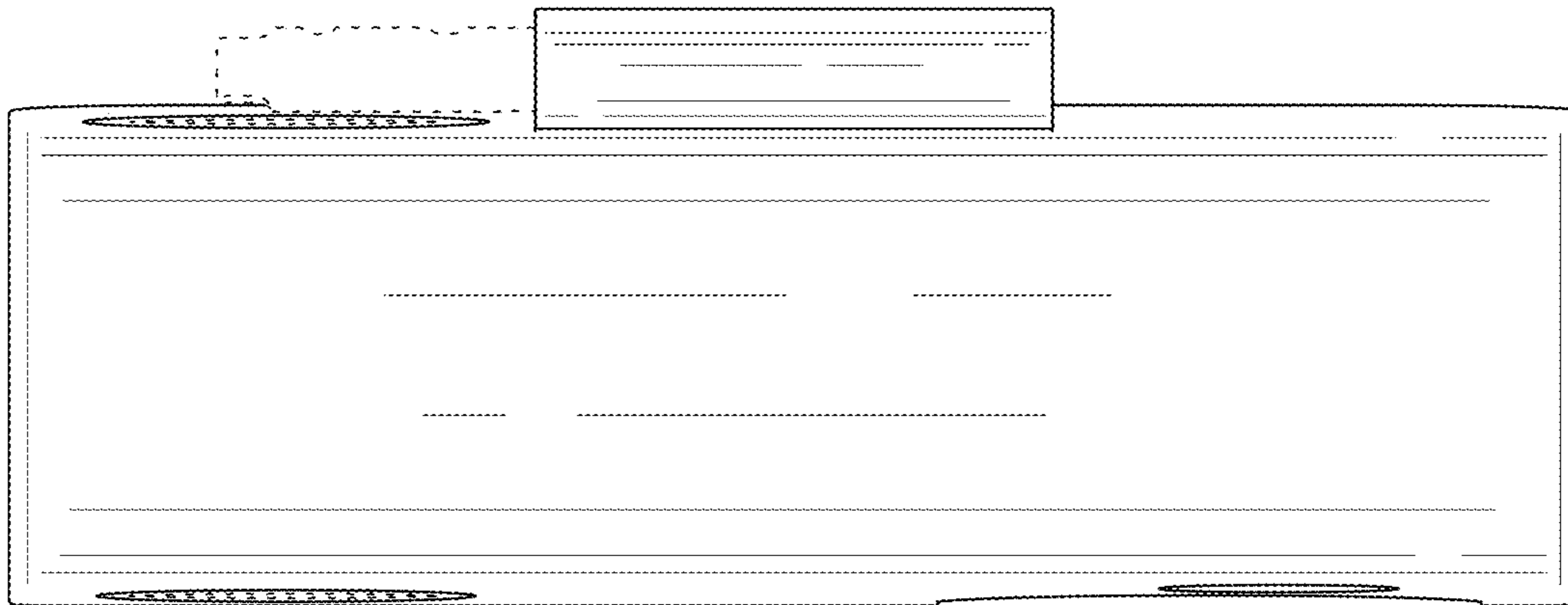


FIG. 7

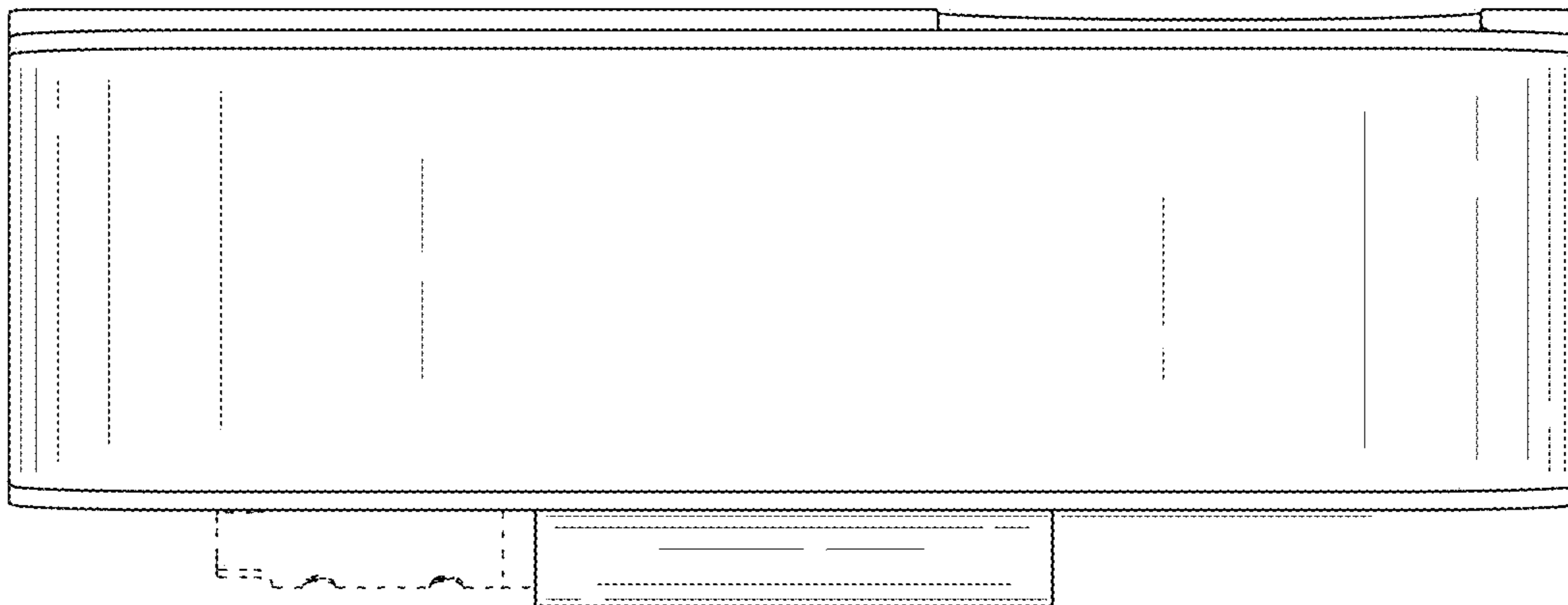


FIG. 8