



US00D951629S

(12) **United States Design Patent**  
**Martir**

(10) **Patent No.:** **US D951,629 S**

(45) **Date of Patent:** **\*\* May 17, 2022**

(54) **ESSENTIAL TOOL CLIP**

(71) Applicant: **Rafael Eric Martir**, New Brunswick,  
NJ (US)

(72) Inventor: **Rafael Eric Martir**, New Brunswick,  
NJ (US)

(\*\*) Term: **15 Years**

(21) Appl. No.: **29/721,855**

(22) Filed: **Jan. 23, 2020**

(51) **LOC (13) Cl.** ..... **03-01**

(52) **U.S. Cl.**  
USPC ..... **D3/228; D8/373**

(58) **Field of Classification Search**  
USPC ..... D3/228, 215; D8/380, 373, 71, 70;  
224/904; D9/455; D15/140  
CPC ..... A45F 5/021; A45F 2200/0575; A44C  
9/0061; B25H 5/00; B25H 3/006; B25H  
3/003; B25H 3/00

See application file for complete search history.

(56) **References Cited**

**U.S. PATENT DOCUMENTS**

- 1,474,077 A \* 11/1923 Grundhand ..... A47G 23/0266  
222/83.5
- D253,019 S \* 10/1979 Hillinger ..... A45F 5/021  
D3/228
- D268,500 S \* 4/1983 Kraus ..... A45F 5/021  
D15/140
- D314,670 S \* 2/1991 Schultz ..... D3/228
- D338,748 S \* 8/1993 Doerksen ..... A45F 5/00  
D3/228
- D350,483 S \* 9/1994 Escobedo ..... A47G 1/0633  
D9/455
- D361,657 S \* 8/1995 Ledbetter ..... D3/228
- D395,238 S \* 6/1998 Freitas ..... D9/455
- D549,453 S \* 8/2007 Chang ..... D3/303
- D583,549 S \* 12/2008 Schuyler ..... D3/228

- D714,543 S \* 10/2014 Huang ..... D3/228
- D755,615 S \* 5/2016 Kuehn ..... D8/373
- D854,191 S \* 7/2019 Sorensen ..... D25/68
- 2007/0241159 A1 \* 10/2007 Chang ..... A45F 5/02  
224/677
- 2015/0068936 A1 \* 3/2015 Huang ..... A45F 5/00  
206/349
- 2017/0363934 A1 \* 12/2017 Stack ..... A47G 1/0633
- 2019/0014892 A1 \* 1/2019 Bryant ..... A45F 5/021
- 2020/0029678 A1 \* 1/2020 Griffin ..... A45F 5/021

**FOREIGN PATENT DOCUMENTS**

JP D1623922 \* 2/2019

\* cited by examiner

*Primary Examiner* — Rachel A. Voorhies

*Assistant Examiner* — Benjamin D. Wannemacher

(57) **CLAIM**

The ornamental design for an essential tool clip, as shown and described.

**DESCRIPTION**

FIG. 1 is a front-top perspective view of an essential tool clip showing my new design;

FIG. 2 is a front-bottom perspective view thereof;

FIG. 3 is a rear-top perspective view thereof;

FIG. 4 is a rear-bottom perspective view thereof;

FIG. 5 is a front elevational view thereof;

FIG. 6 is a rear elevational view thereof;

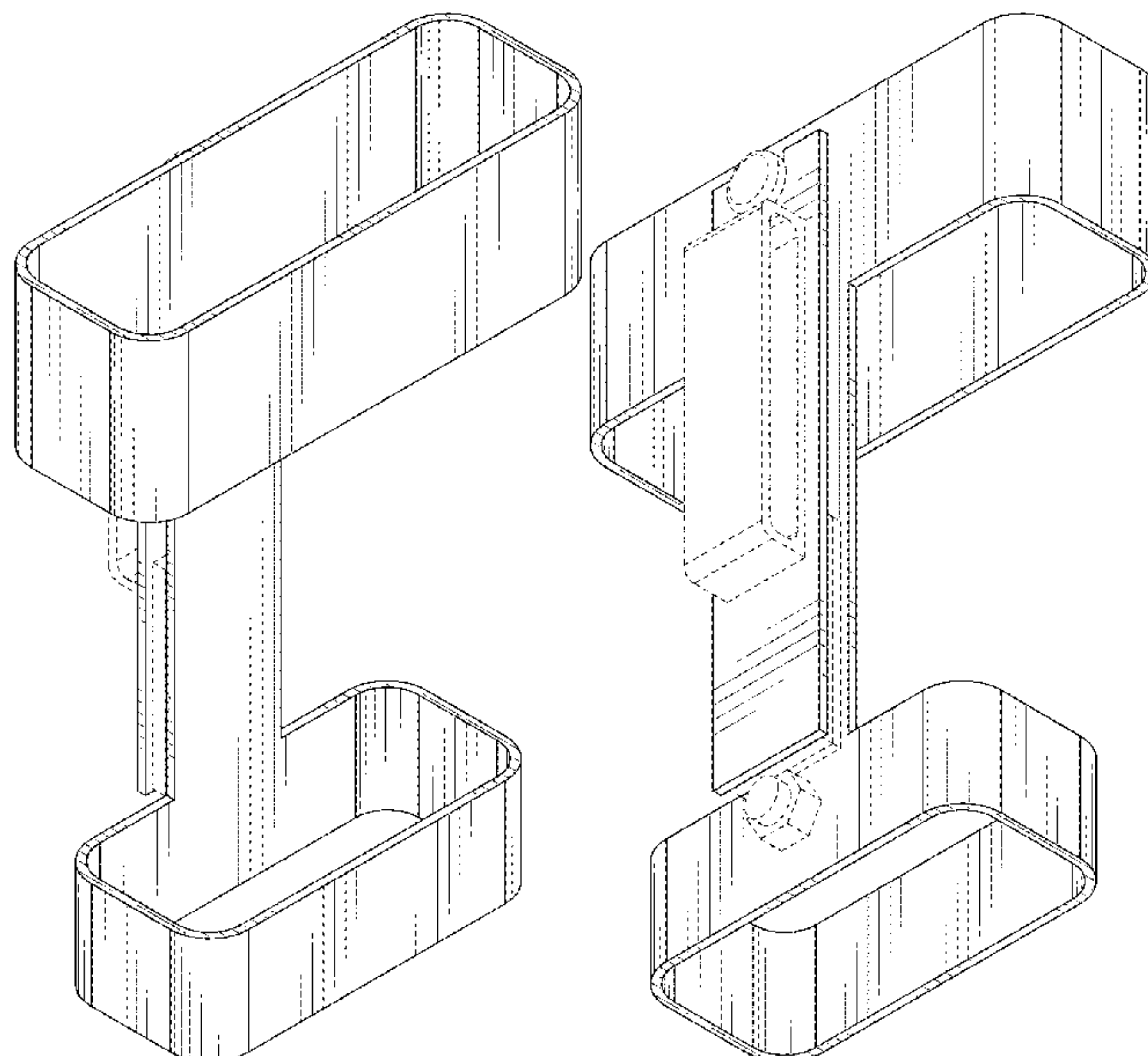
FIG. 7 is a left elevational view thereof where the right elevational view is mirrored thereto;

FIG. 8 is a top plan view thereof; and,

FIG. 9 is a bottom plan view thereof.

The dash-dash broken lines are for the purpose of illustrating portions of the essential tool clip that form no part of the claimed design.

**1 Claim, 9 Drawing Sheets**



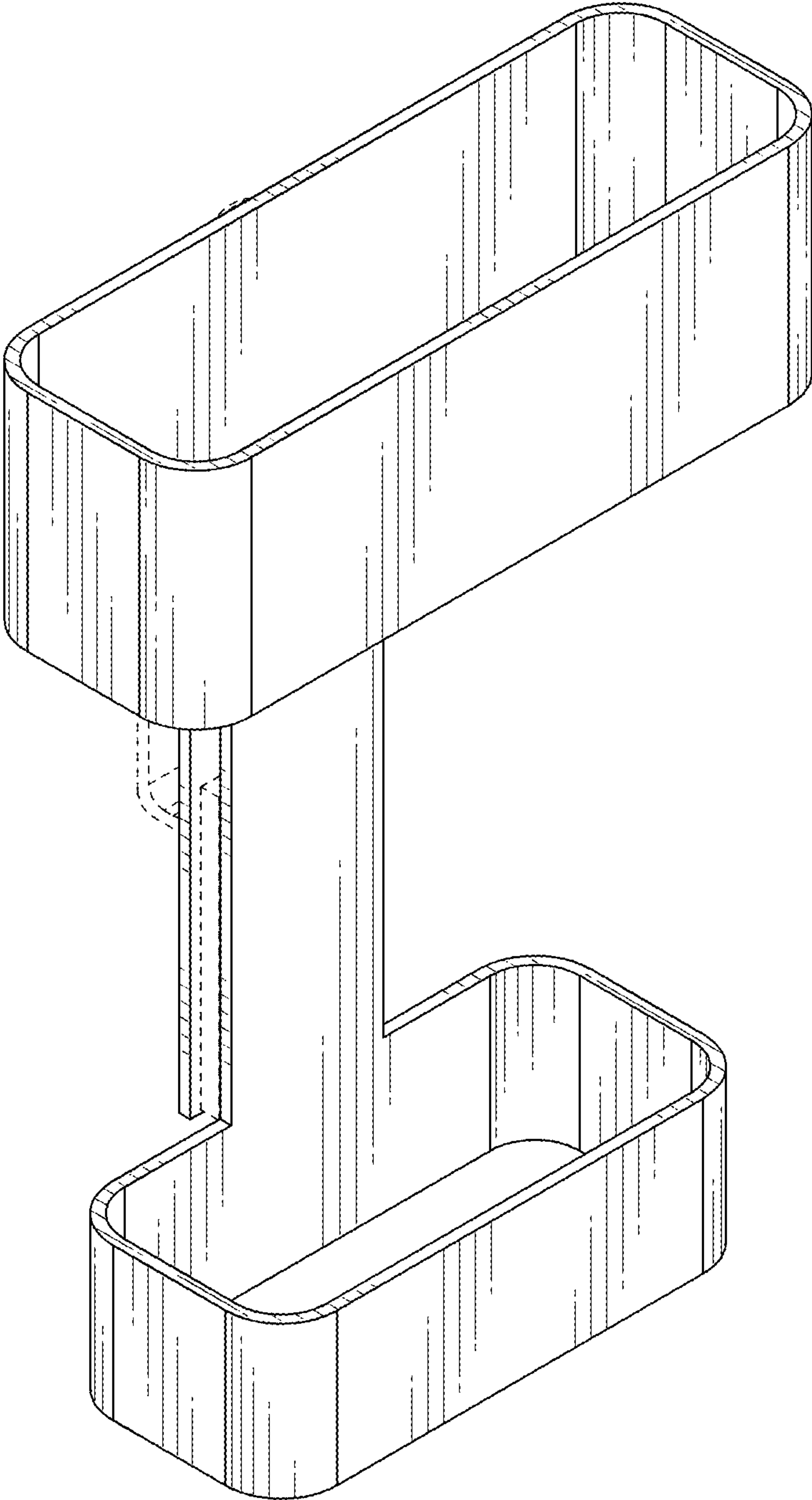


FIG. 1

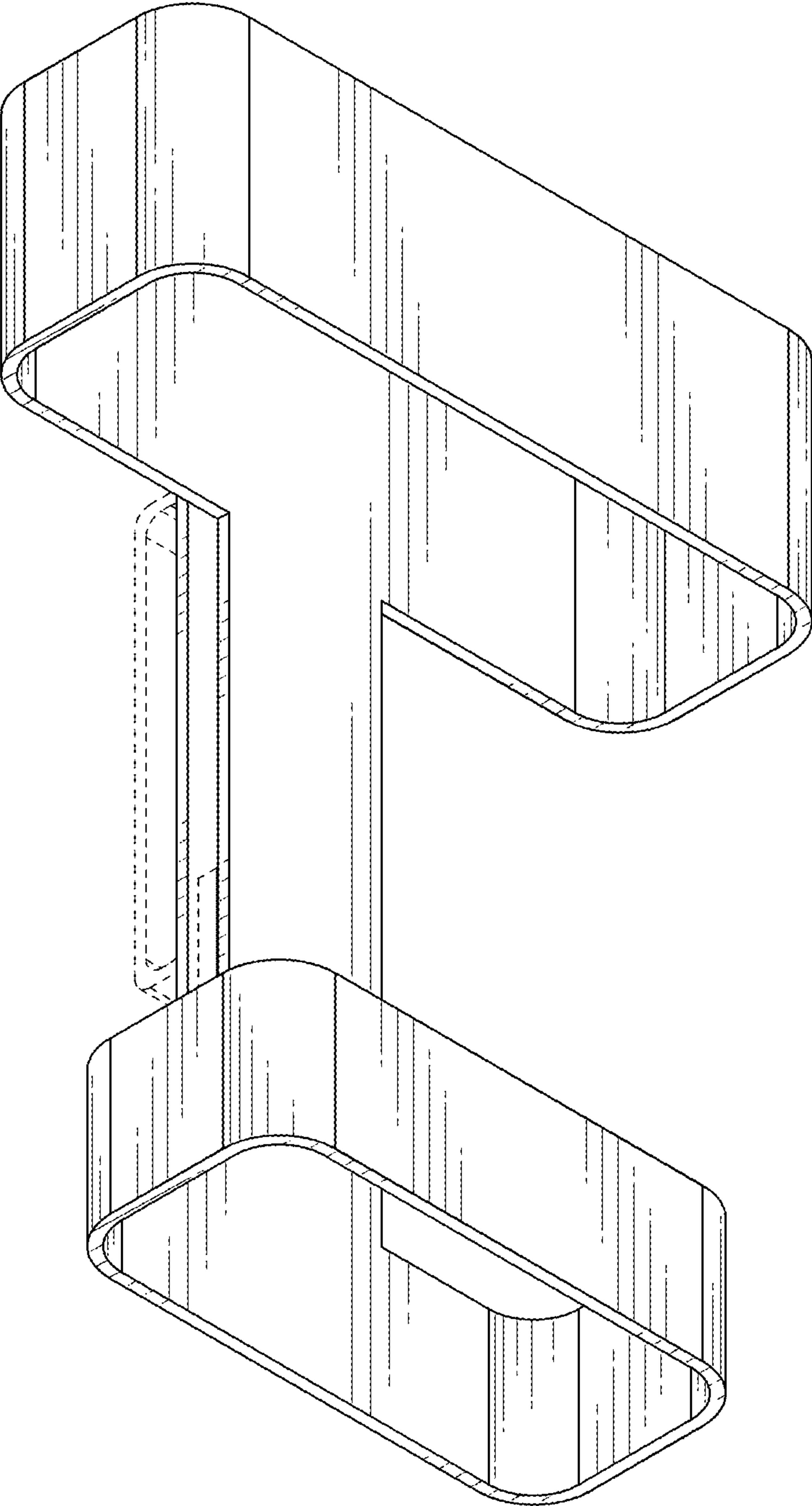


FIG. 2

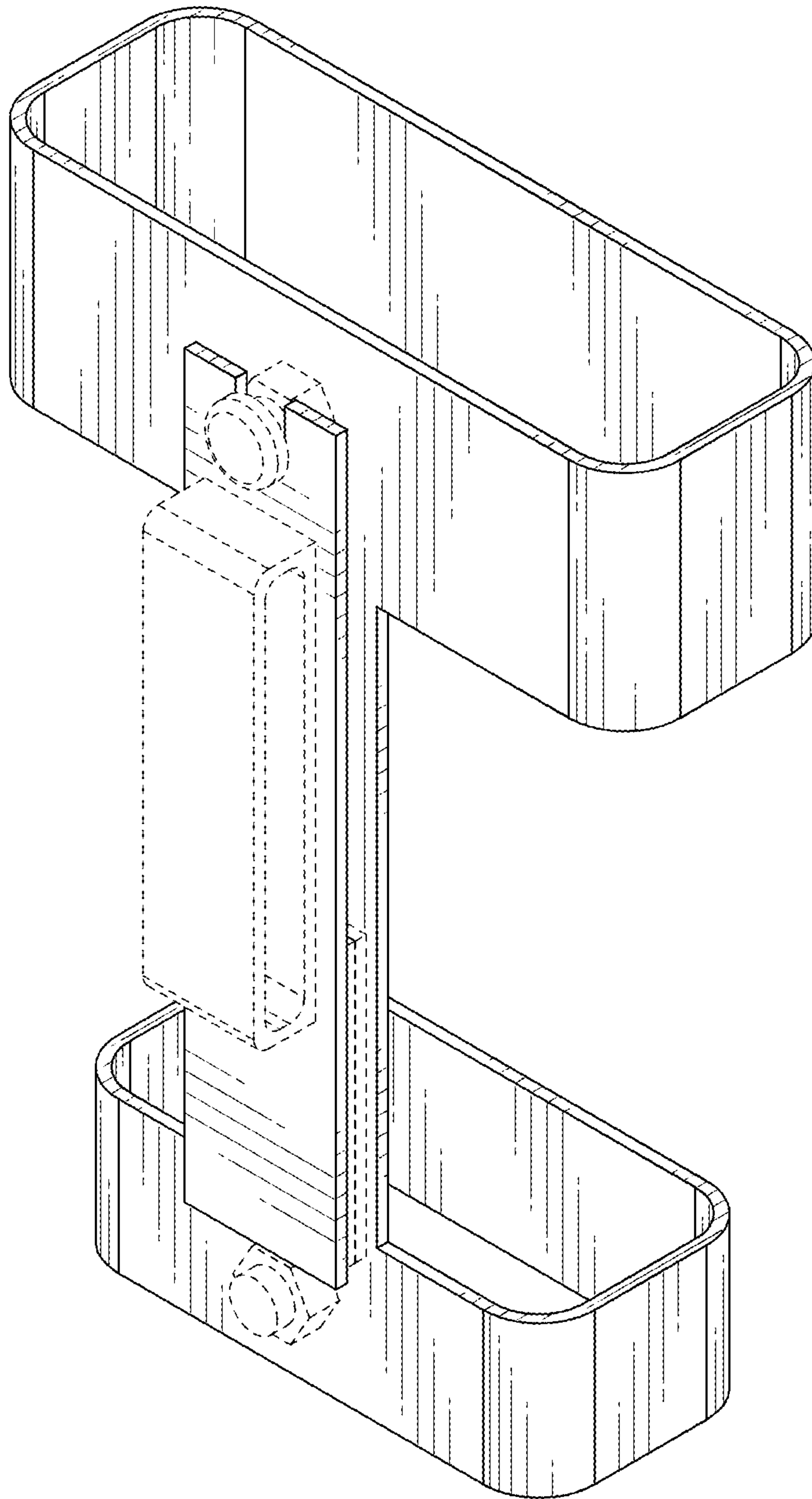


FIG. 3



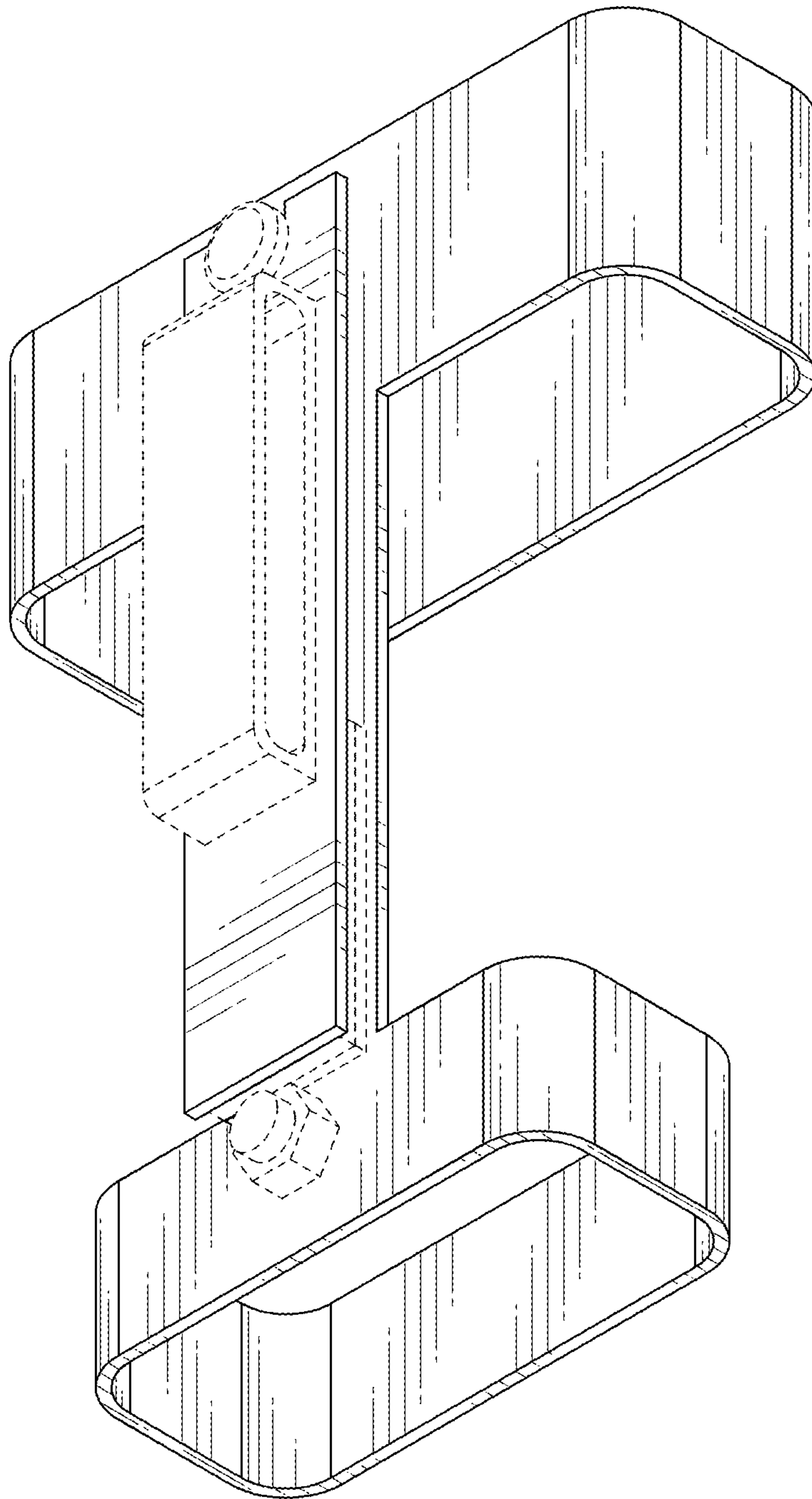


FIG. 4

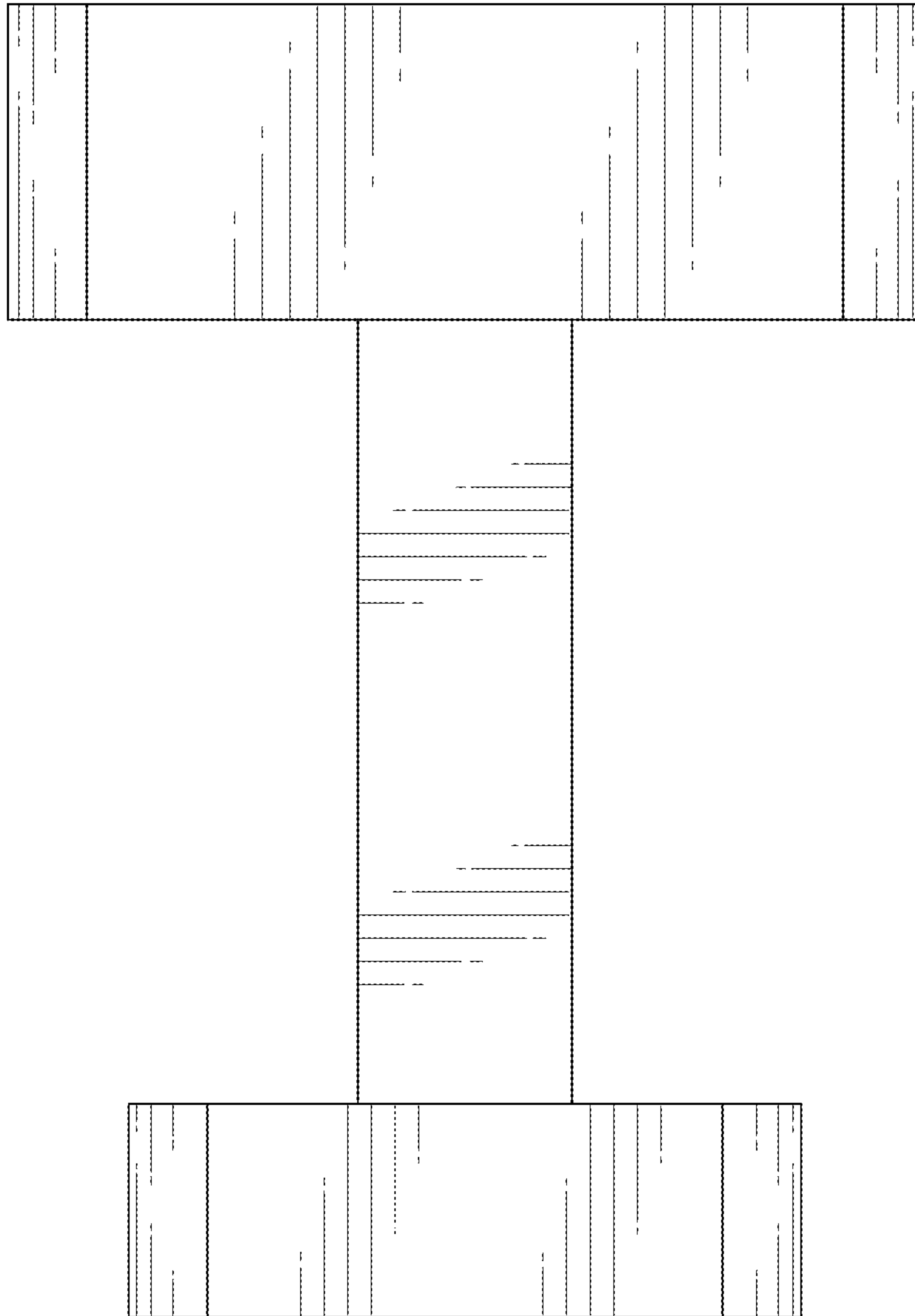


FIG. 5

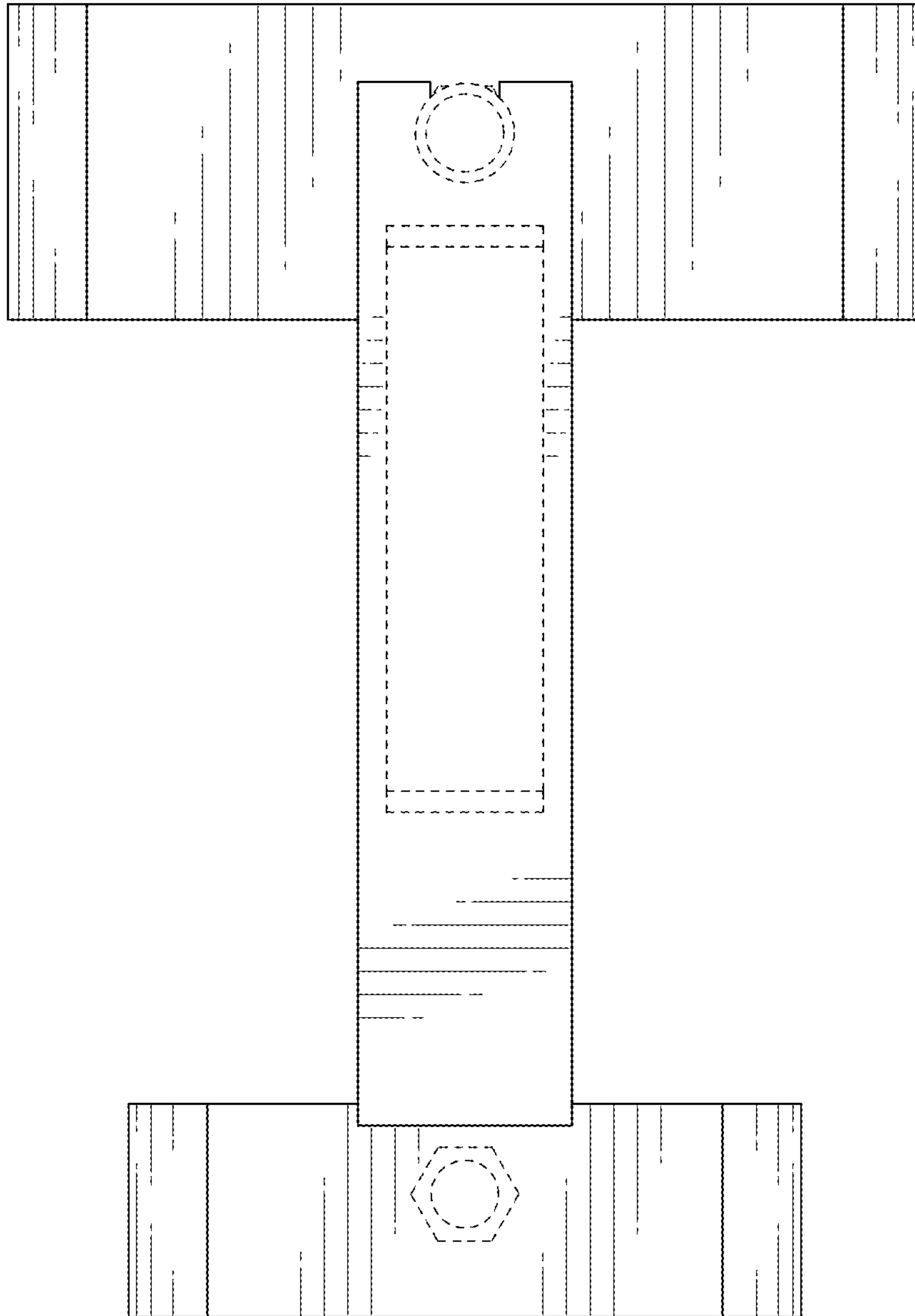


FIG. 6

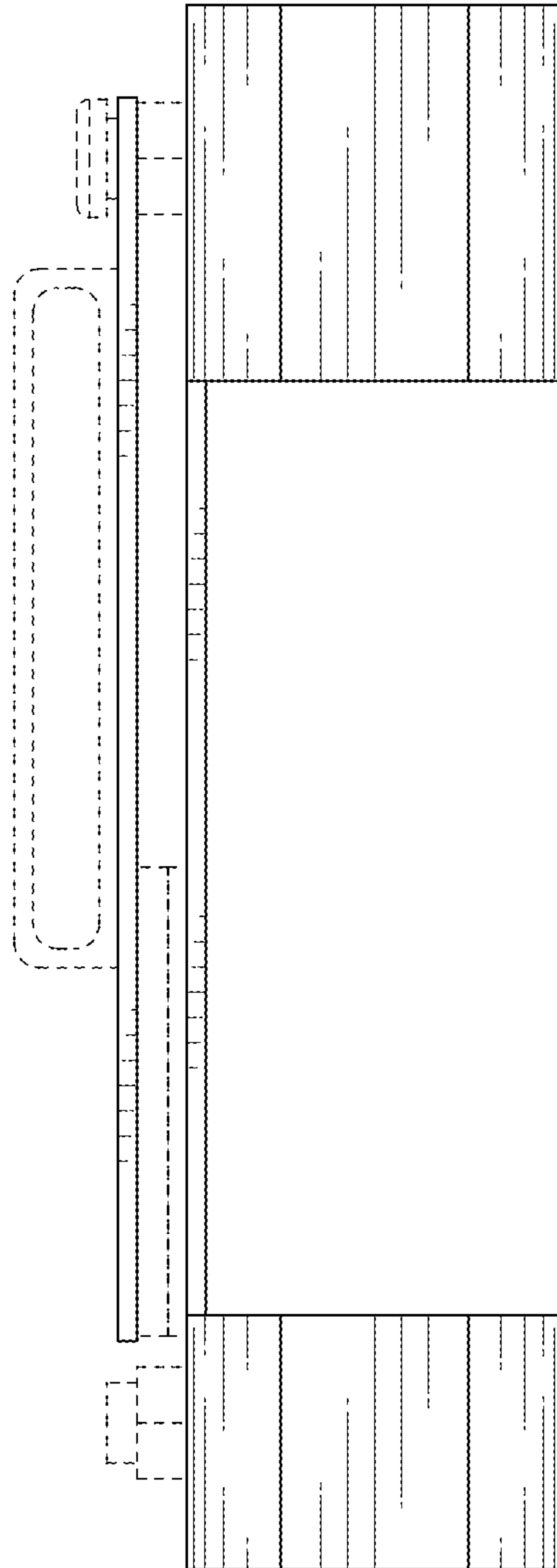


FIG. 7



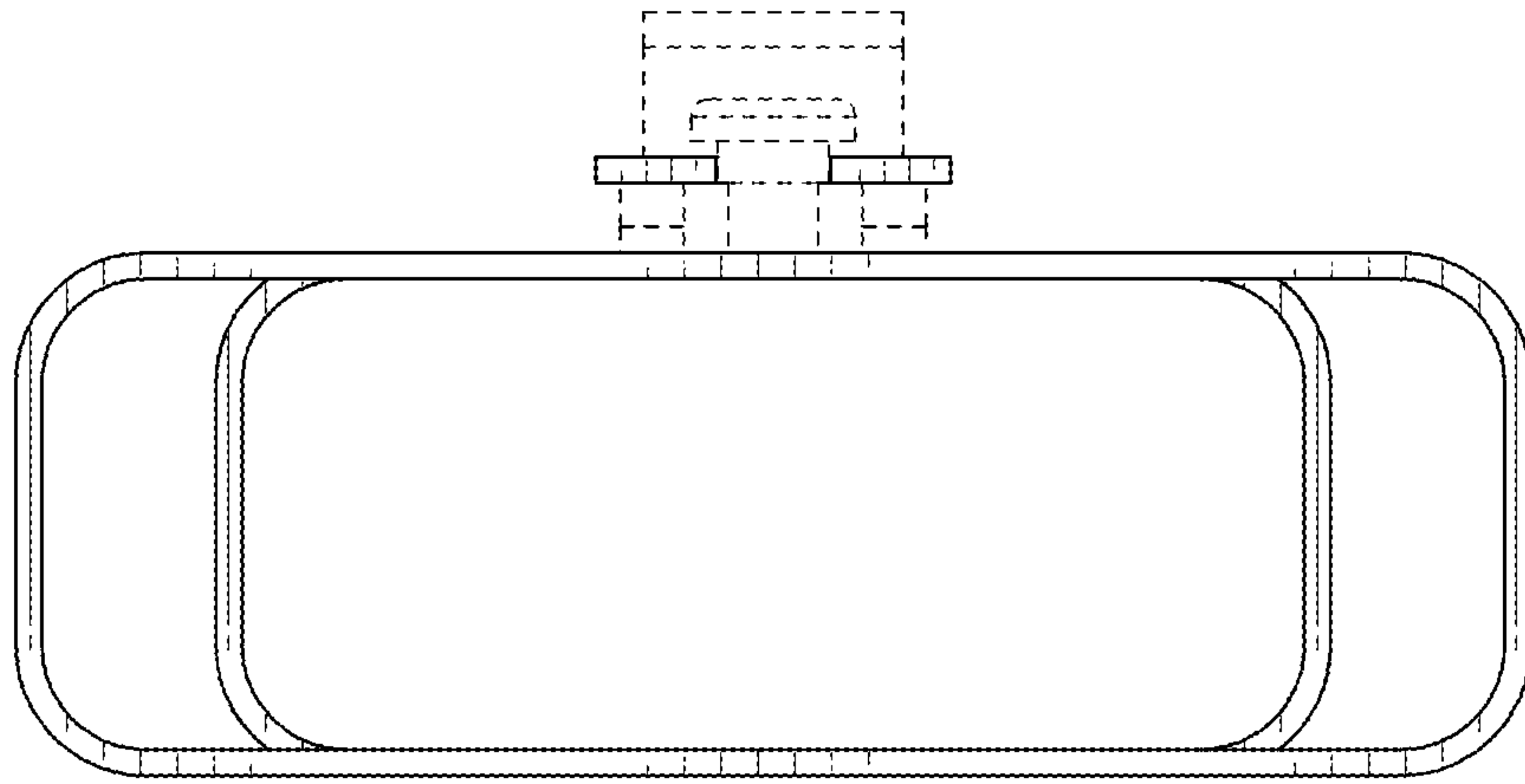


FIG. 8

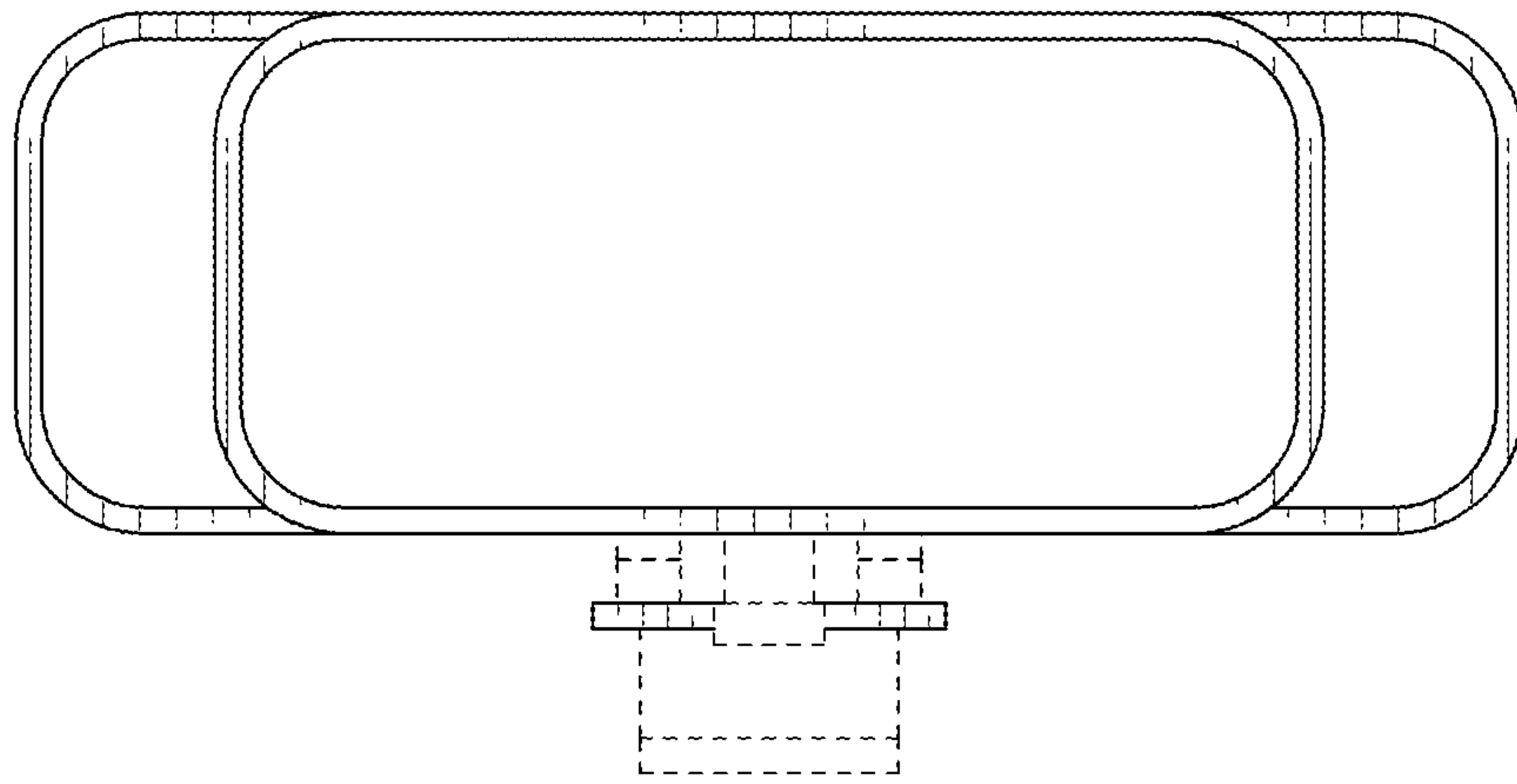


FIG. 9