



US00D951628S

(12) **United States Design Patent**  
**Zheng**

(10) **Patent No.:** **US D951,628 S**

(45) **Date of Patent:** **\*\* May 17, 2022**

(54) **MODULAR ORGANIZER**

(71) Applicant: **Peng Zheng**, Xiamen (CN)

(72) Inventor: **Peng Zheng**, Xiamen (CN)

(\*\*) Term: **15 Years**

(21) Appl. No.: **29/788,456**

(22) Filed: **May 29, 2021**

(51) **LOC (13) Cl.** ..... **03-01**

(52) **U.S. Cl.**  
USPC ..... **D3/207**

(58) **Field of Classification Search**  
USPC ..... D3/207, 208, 209, 210, 211, 212, 271.6,  
D3/294, 295, 299, 302, 303, 901, 903,  
D3/905

CPC ... A45C 11/24; A45C 11/38; A45C 2011/001;  
A45C 13/02; A01K 97/06; A61J 1/03  
See application file for complete search history.

(56) **References Cited**

**U.S. PATENT DOCUMENTS**

- 1,577,566 A \* 3/1926 Cryder ..... A01K 97/06  
43/57.2
- 1,646,485 A \* 10/1927 Lorber ..... A45C 11/323  
206/38.1
- 1,924,134 A \* 8/1933 Segal ..... A45C 11/328  
206/37
- 2,637,994 A \* 5/1953 Harrison, Jr. .... A45C 11/328  
70/456 R
- 2,874,740 A \* 2/1959 Magean, Jr. .... A45C 11/32  
206/37.6
- D275,752 S \* 10/1984 Mahan ..... D14/240
- D292,288 S \* 10/1987 Schwartz ..... A01K 97/06  
D14/218

- 5,267,679 A \* 12/1993 Kamaya ..... A45F 5/02  
190/102
- D364,738 S \* 12/1995 Wood ..... D3/260
- D630,317 S 1/2011 Wung
- D712,137 S \* 9/2014 Hsu ..... A45F 5/02  
D3/905
- D780,846 S 3/2017 Greenspon et al.

\* cited by examiner

*Primary Examiner* — Kevin K Rudzinski  
*Assistant Examiner* — Amber J Rabie

(57) **CLAIM**

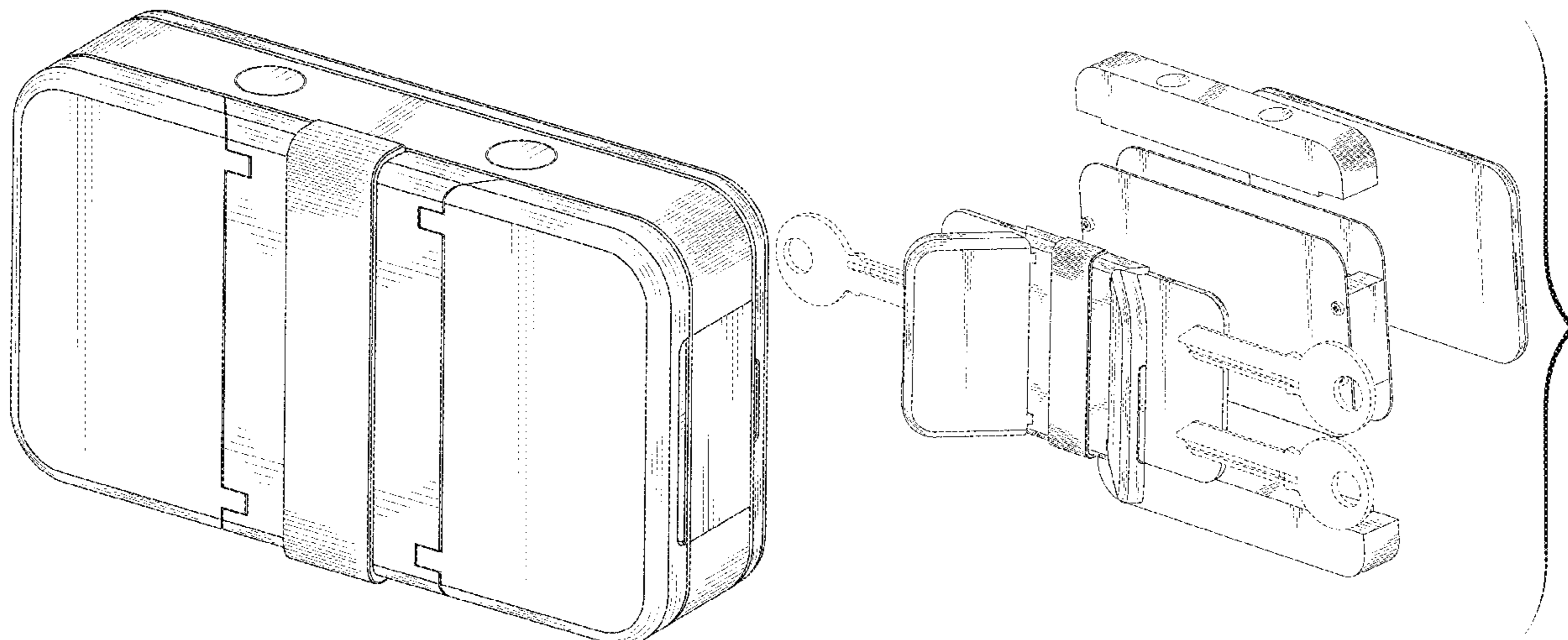
The ornamental design for a modular organizer, as shown and described.

**DESCRIPTION**

FIG. 1 is a perspective view of a modular organizer showing my new design;  
FIG. 2 is a front view thereof;  
FIG. 3 is a rear view thereof;  
FIG. 4 is a left side view thereof;  
FIG. 5 is a right side view thereof;  
FIG. 6 is a top plan view thereof; and  
FIG. 7 is a bottom plan view thereof;  
FIG. 8 is another perspective view thereof;  
FIG. 9 is an exploded view thereof; and,  
FIG. 10 is another exploded view in an alternate configuration.

The dashed or broken lines shown in the drawings depict portions of the modular organizer in which the design is embodied that form no part of the claimed design. The broken lines illustrating keys in FIG. 10 represent environment and form no part of the claim.

**1 Claim, 10 Drawing Sheets**



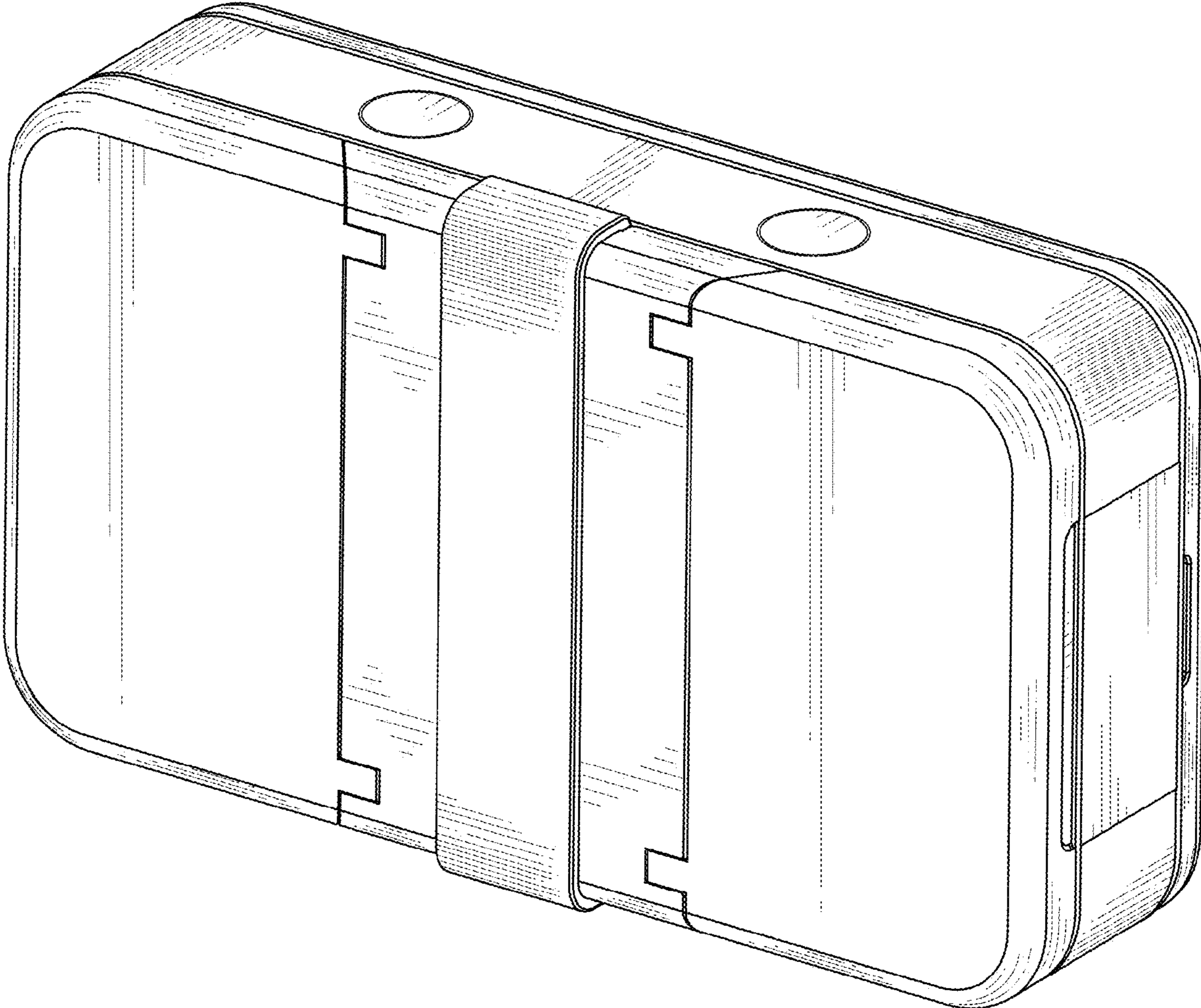


FIG.1

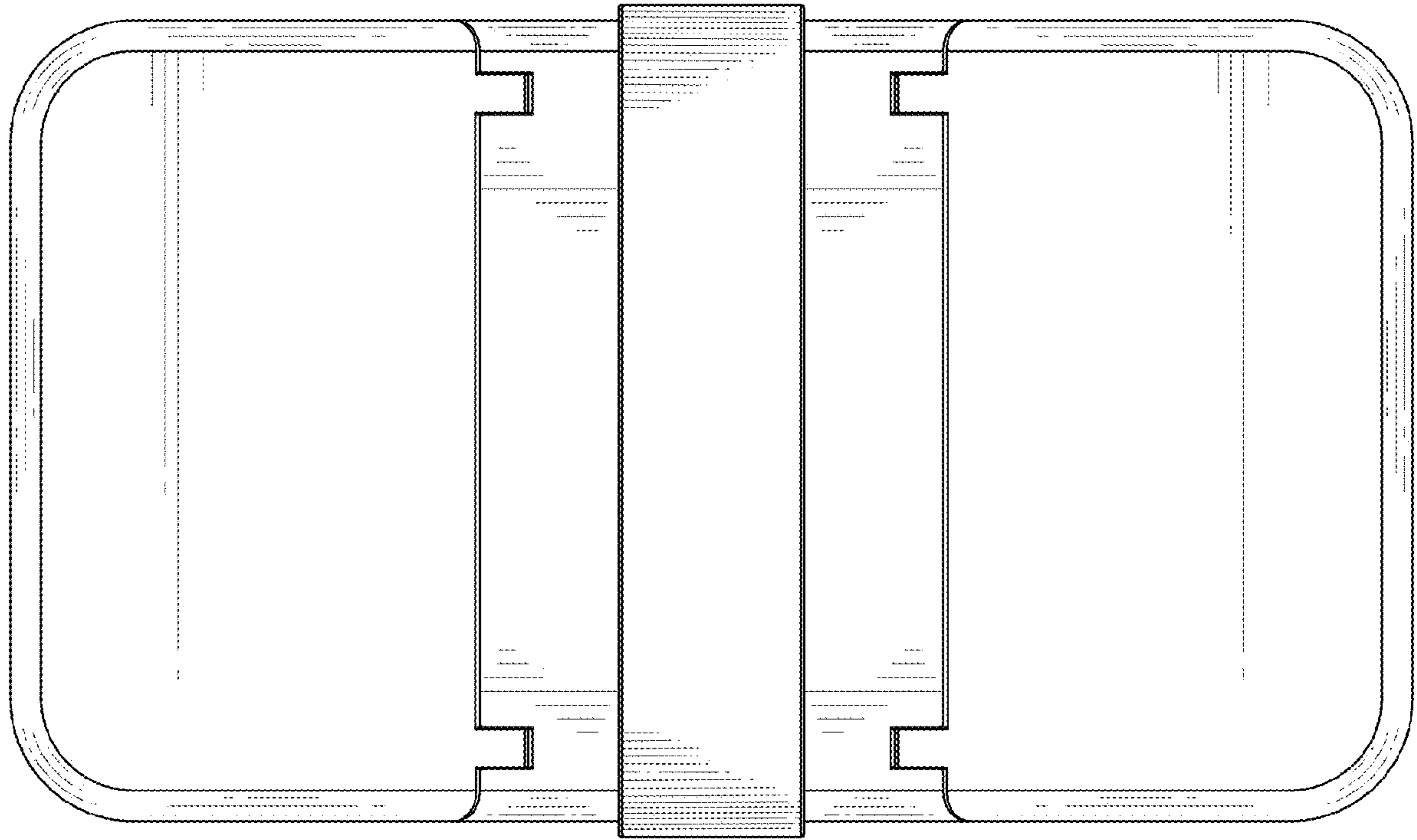


FIG.2

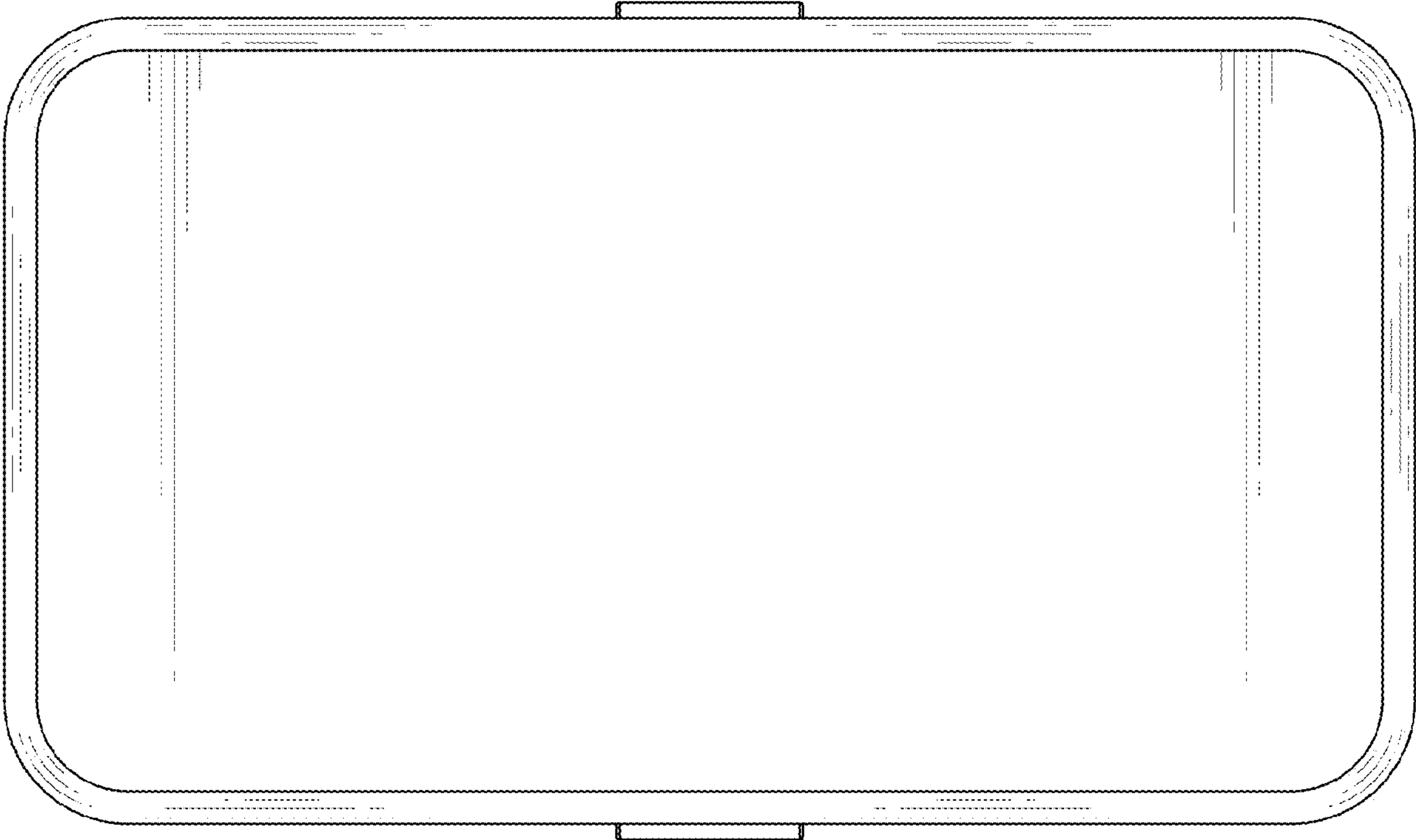


FIG.3

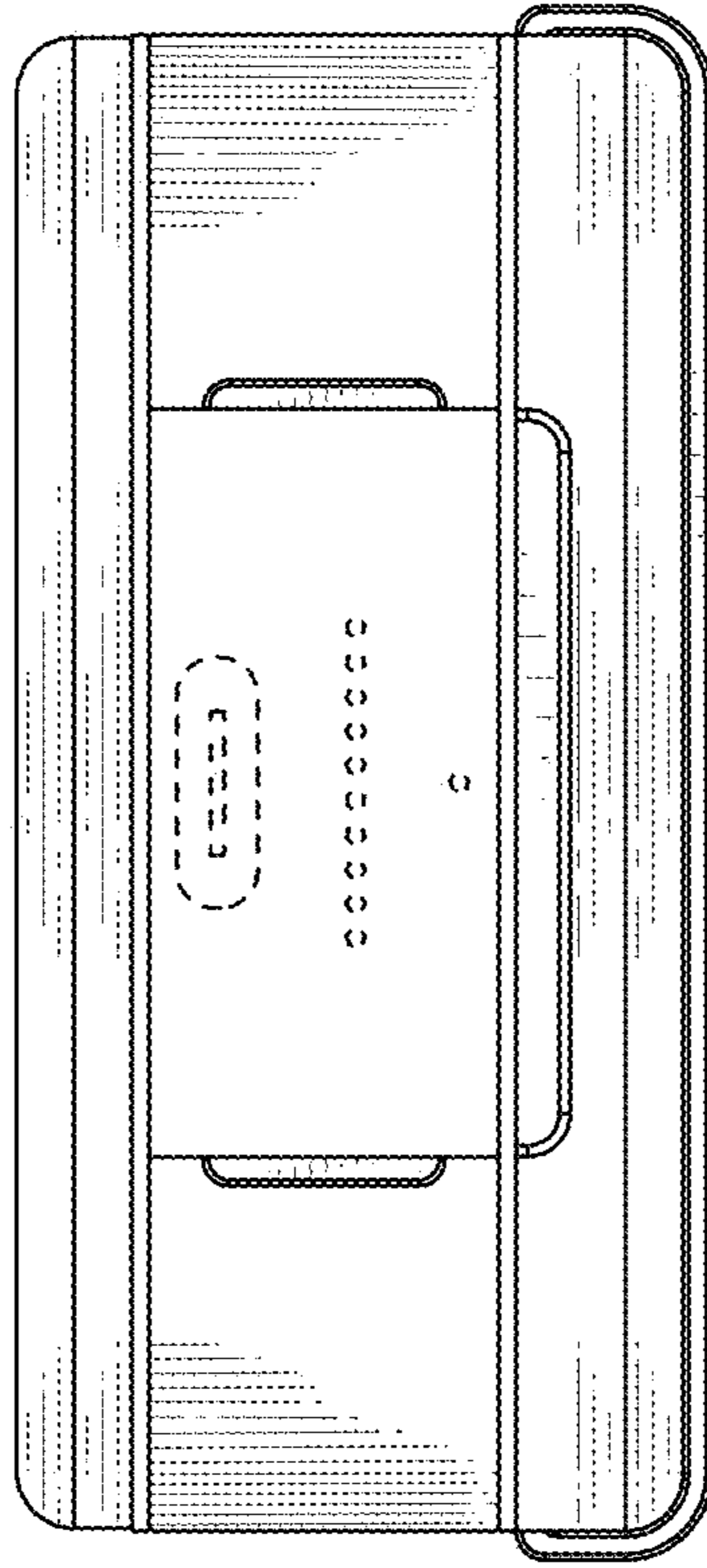


FIG.4

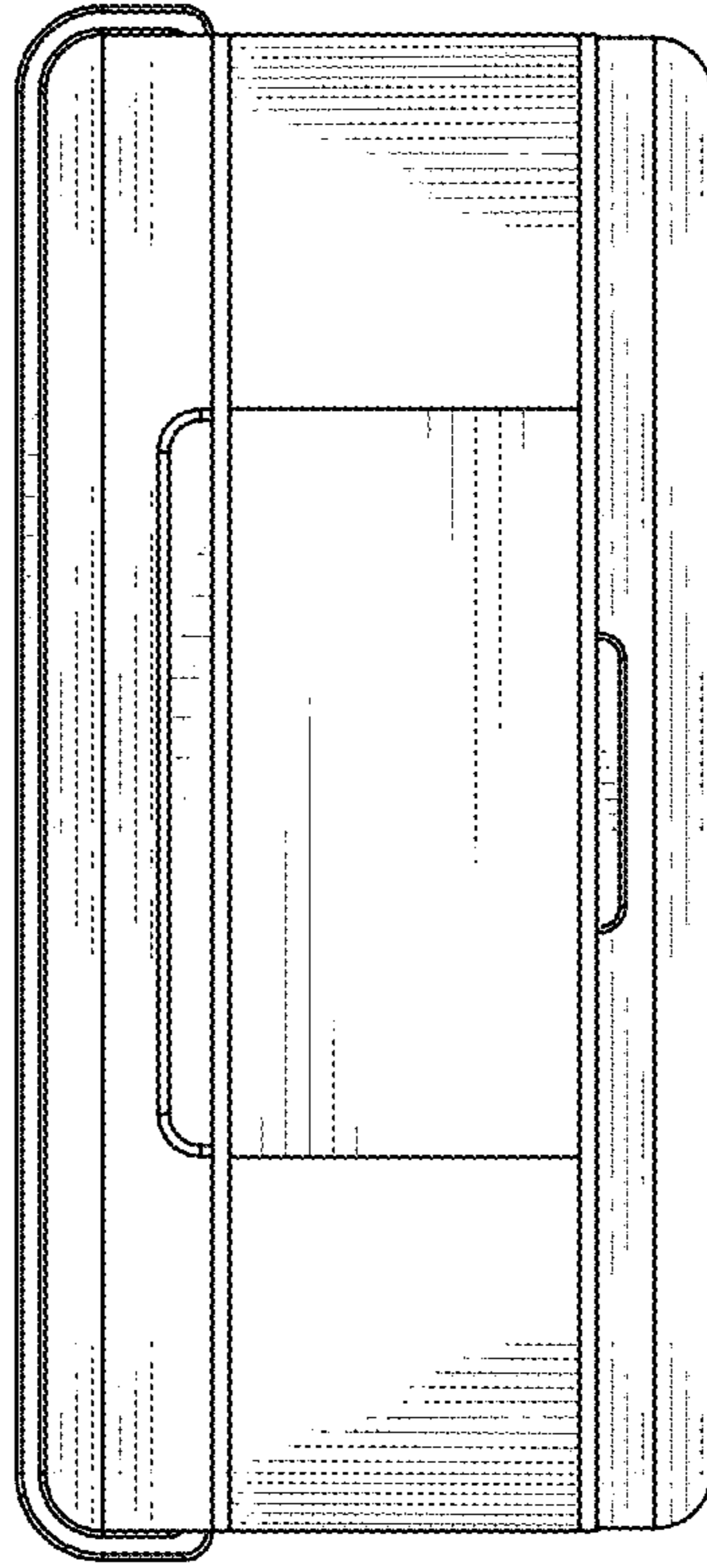


FIG.5

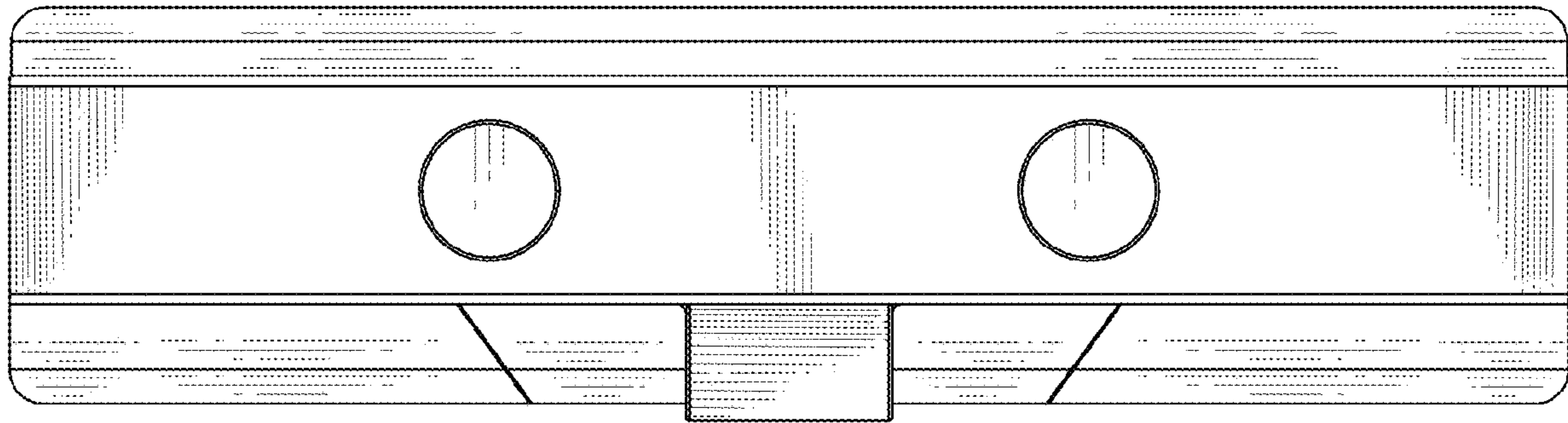


FIG.6

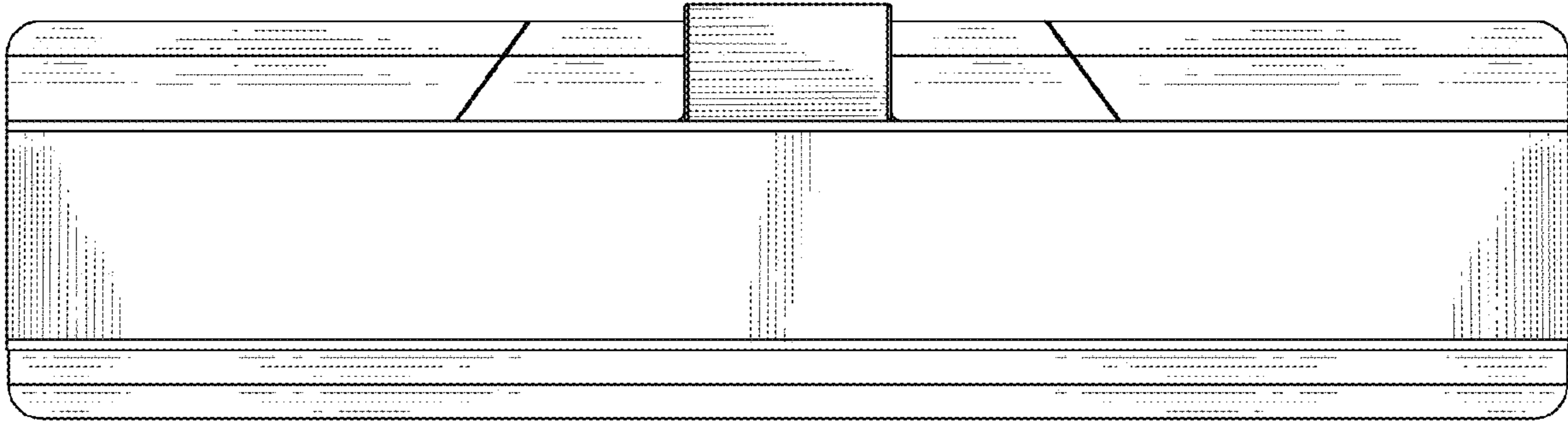


FIG.7



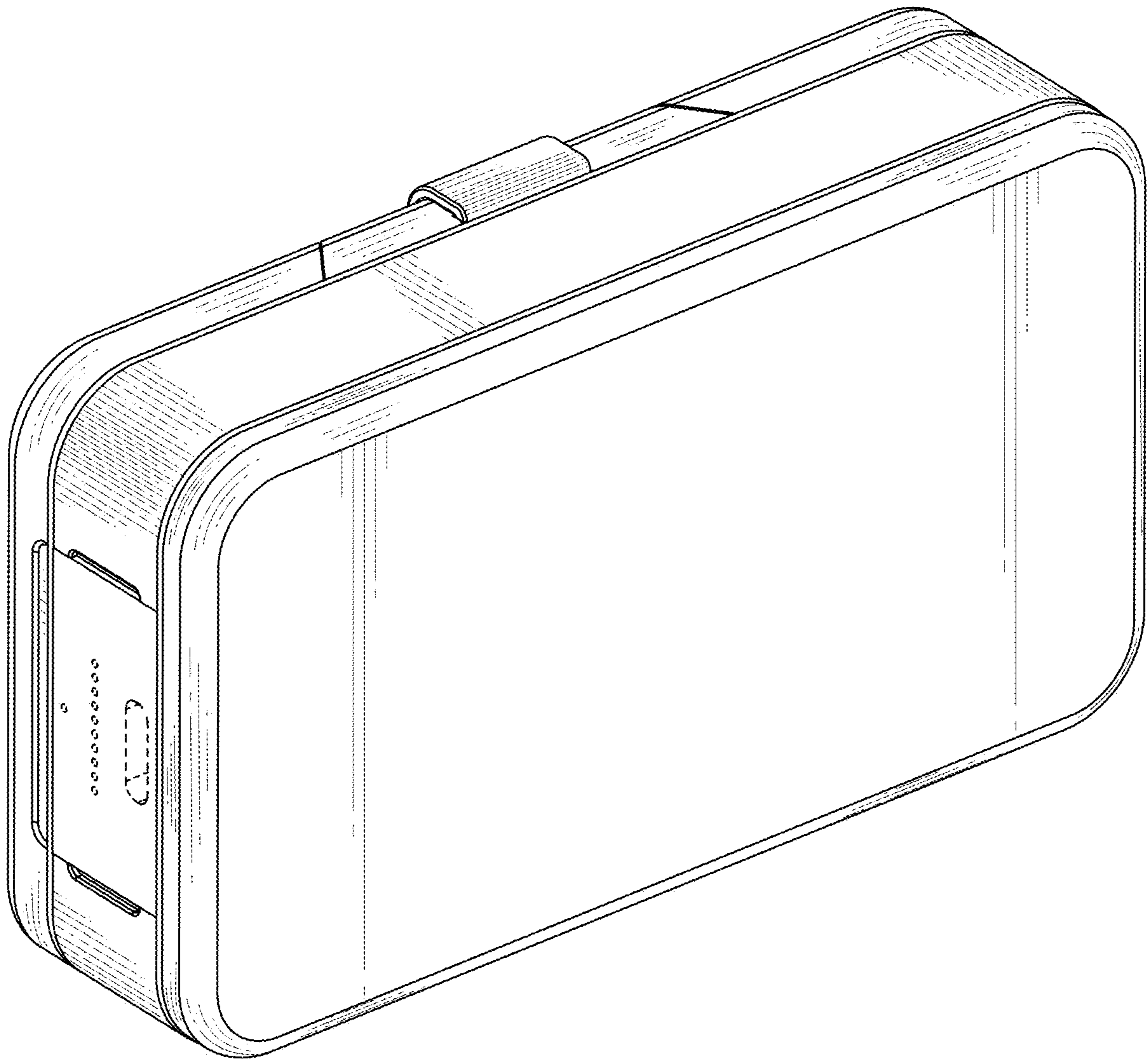


FIG.8

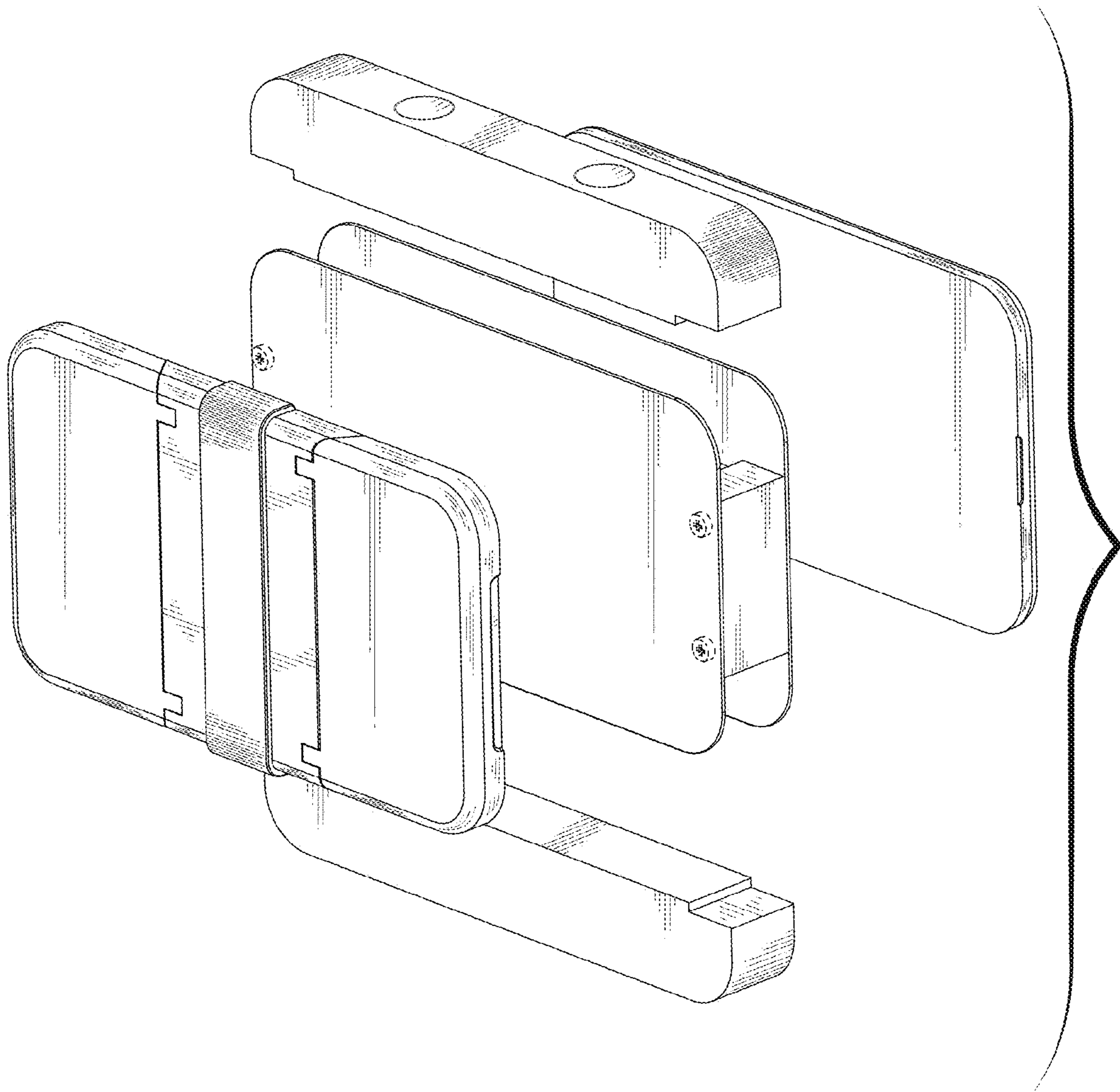


FIG.9

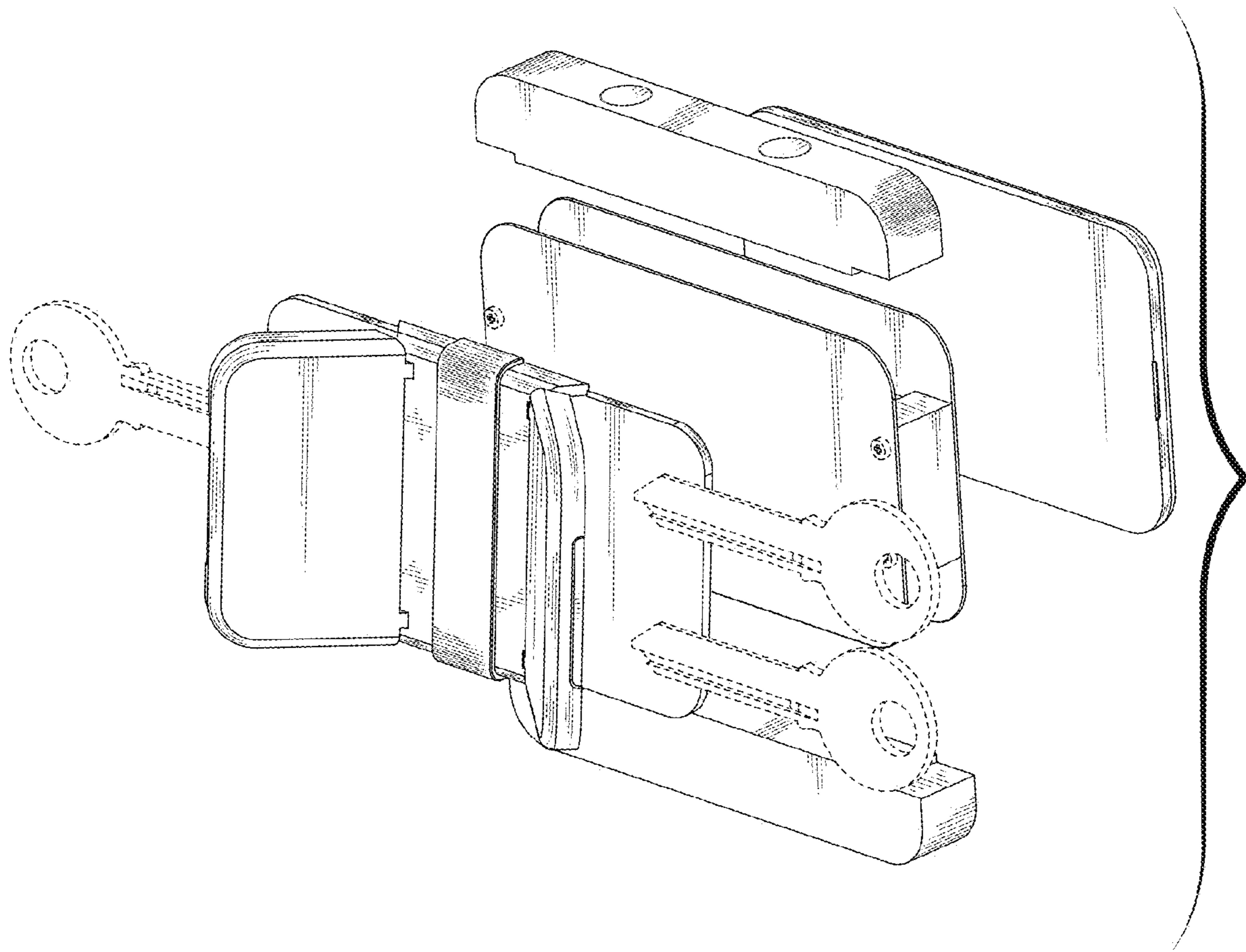


FIG.10