



US00D951625S

(12) **United States Design Patent**
Bhopale

(10) **Patent No.:** **US D951,625 S**

(45) **Date of Patent:** **** May 17, 2022**

(54) **TOTE**
(71) Applicant: **Kelly Bhopale**, New York, NY (US)
(72) Inventor: **Kelly Bhopale**, New York, NY (US)

D745,268 S * 12/2015 Slimane D3/232
D828,022 S * 9/2018 Maier A45C 7/0022
D3/243
D866,169 S * 11/2019 Zeller A45C 13/02
D3/243

(**) Term: **15 Years**

(Continued)

(21) Appl. No.: **29/724,012**

FOREIGN PATENT DOCUMENTS

(22) Filed: **Feb. 12, 2020**

CN 305437069 * 11/2019

(51) **LOC (13) Cl.** **03-01**

(52) **U.S. Cl.**
USPC **D3/201**

OTHER PUBLICATIONS

(58) **Field of Classification Search**
USPC D3/201, 210, 222, 223, 228, 229, 230,
D3/232, 233, 243, 244, 306, 900, 902;
D9/706
CPC A45C 3/06; A45C 1/02; A45C 3/02
See application file for complete search history.

Michael Michael Kors Mercer Medium Accordion Convertible Tote announced Aug. 9, 2019 [online], [site visited Mar. 13, 2021], available from internet. URL: <<https://www.amazon.com/MICHAEL-Michael-Kors-Accordion-Leather/dp/B07QJWFKFT/>> (Year: 2019).*

(Continued)

(56) **References Cited**

Primary Examiner — Kevin K Rudzinski
Assistant Examiner — Amber J Rabie
(74) *Attorney, Agent, or Firm* — Amster, Rothstein & Ebenstein LLP

U.S. PATENT DOCUMENTS

(57) **CLAIM**

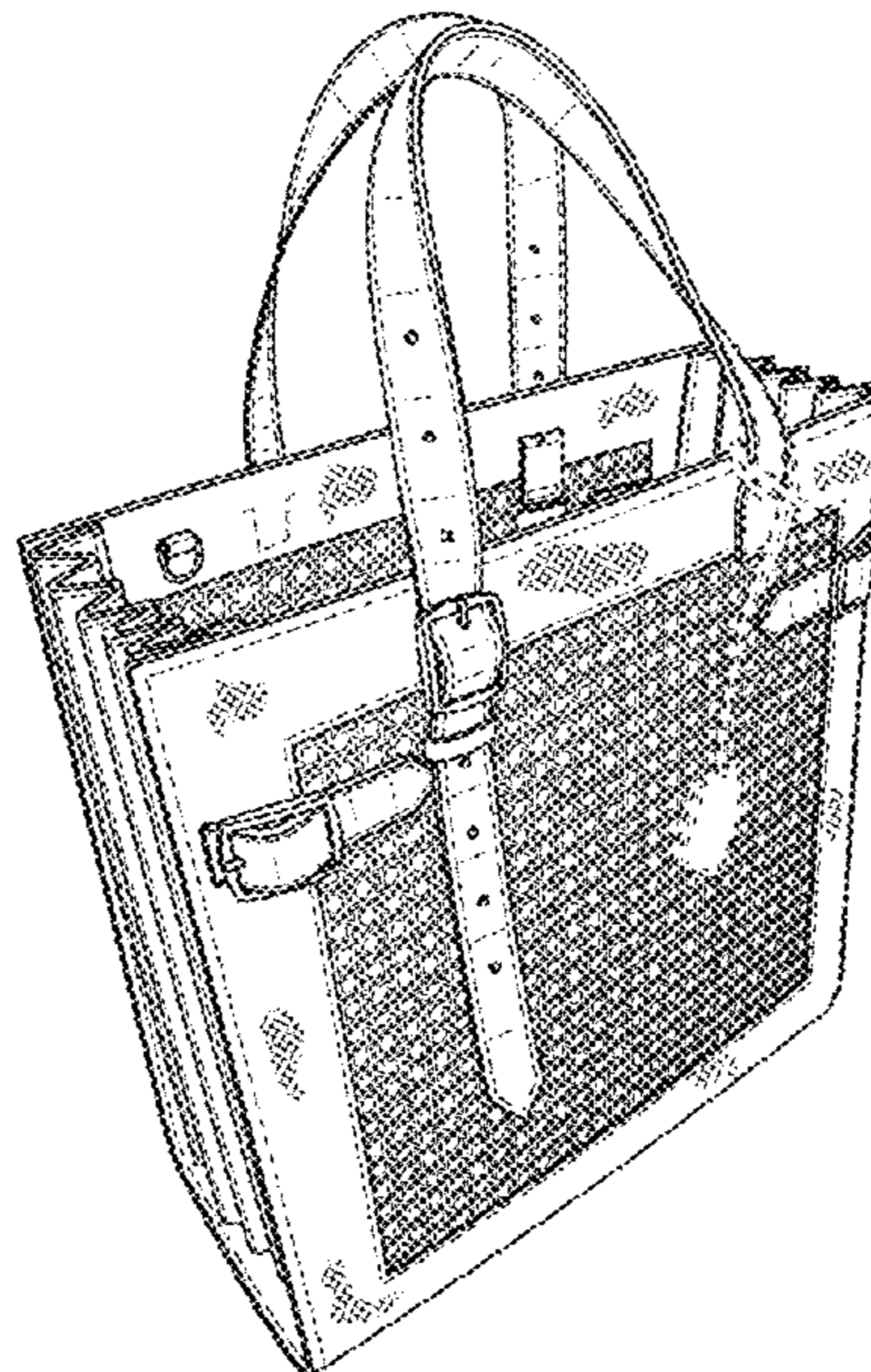
The ornamental design for a tote, as shown and described.

- 135,990 A * 2/1873 King A45C 3/06
150/112
- 1,090,553 A * 3/1914 Mashek A45C 13/02
190/109
- 1,863,270 A * 6/1932 Goldsmith A45C 3/06
150/112
- D104,070 S * 4/1937 Lewis B62B 3/1464
D3/243
- D104,075 S * 4/1937 Lewis D3/243
- 2,840,437 A * 6/1958 Cohen A45C 5/065
312/319.1
- D456,135 S * 4/2002 Shapiro A45C 3/06
D3/276
- D465,651 S * 11/2002 Platte, III A45C 3/06
D3/303
- 7,644,857 B2 * 1/2010 Chou A45C 7/0022
229/67.3
- D717,544 S * 11/2014 Wang D3/318

DESCRIPTION

FIG. 1 is a perspective view of a tote showing my new design;
FIG. 2 is a front view thereof;
FIG. 3 is a back view thereof;
FIG. 4 is a left side view thereof;
FIG. 5 is a right side view thereof;
FIG. 6 is a top view thereof; and,
FIG. 7 is a bottom view thereof.
The broken lines in FIGS. 1-2 and 4-7 outlining a tag attached to the tote depict environment and form no part of the claimed design. The broken lines on the tote illustrate stitching and form no part of the claim.

1 Claim, 7 Drawing Sheets



(56)

References Cited

U.S. PATENT DOCUMENTS

2009/0317021 A1 * 12/2009 Taylor B62B 3/1464
383/6
2014/0369629 A1 * 12/2014 De La Fuente Lara
B65D 33/065
383/17

OTHER PUBLICATIONS

Koyaana R., Video "Find Your Fit: The Sac De Jour." Sep. 27, 2019,
14 pages.

Sassy Rodriguez, "Saint Laurent Sac De Jour Tote Bag," Apr. 24,
2013, 9 pages.

Bibby Sowray "Saint Laurent's Sae De Jour becomes the bag du
jour," Oct. 17, 2013, 4 pages.

* cited by examiner

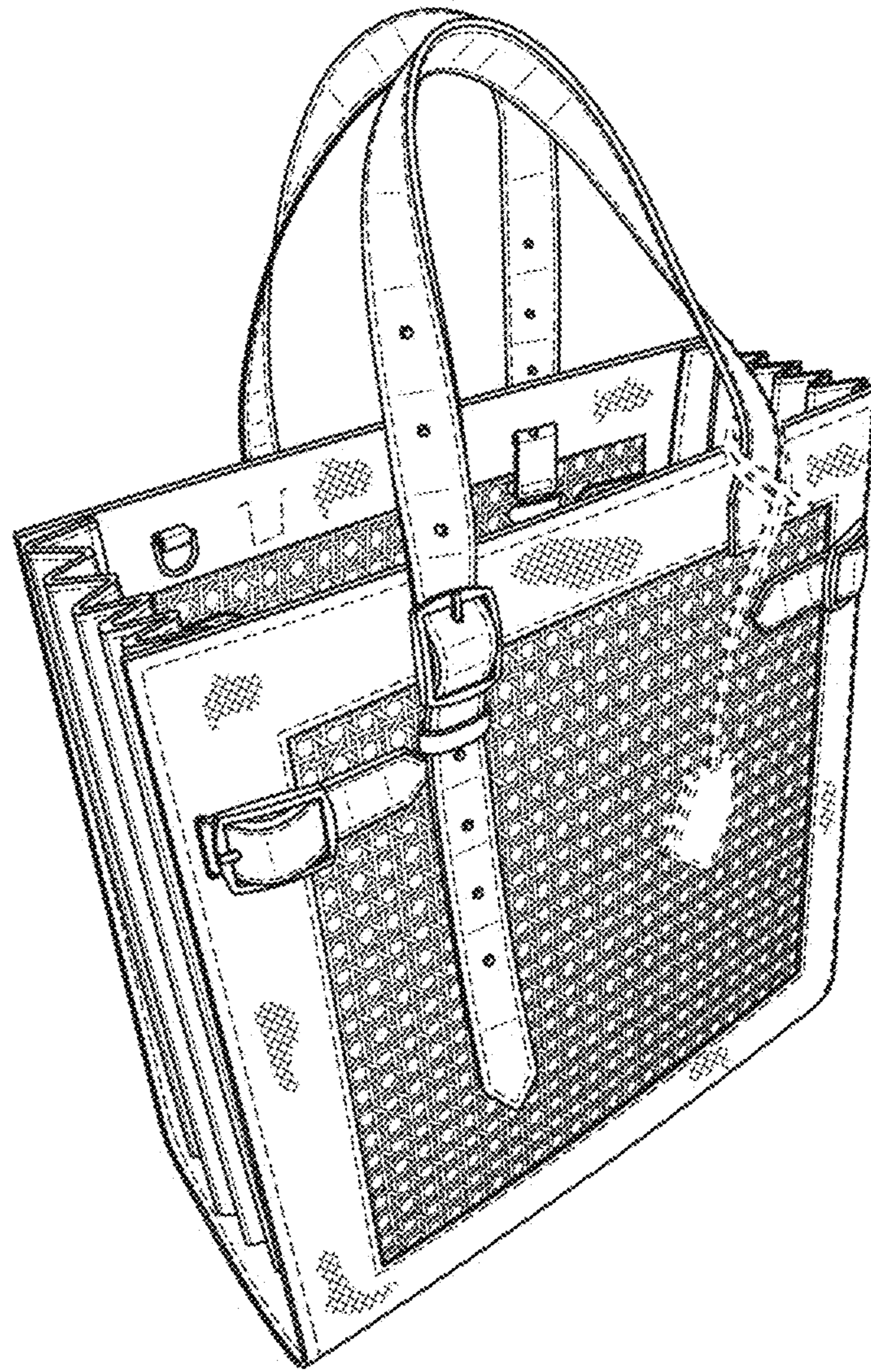


FIG. 1

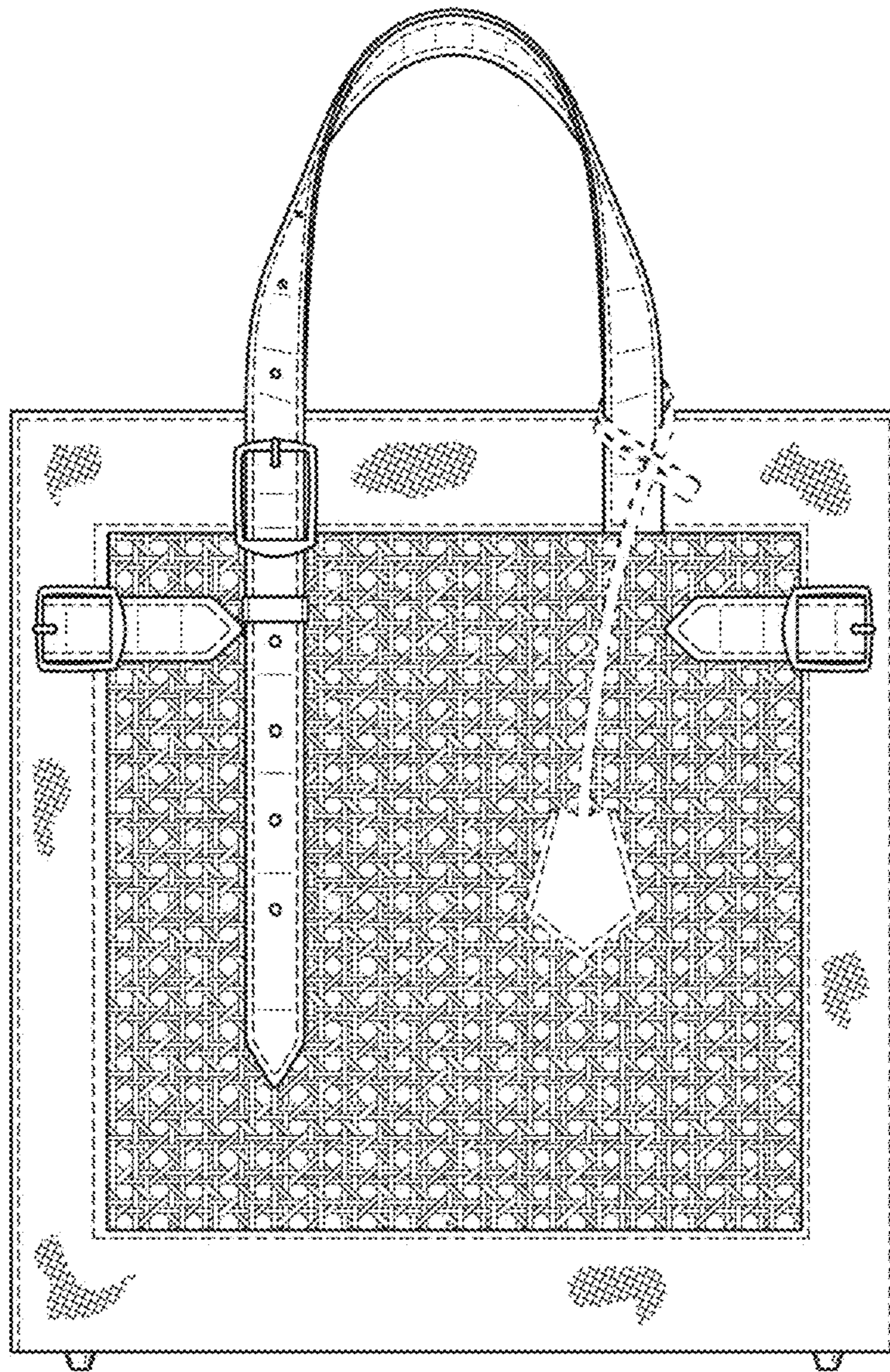


FIG. 2

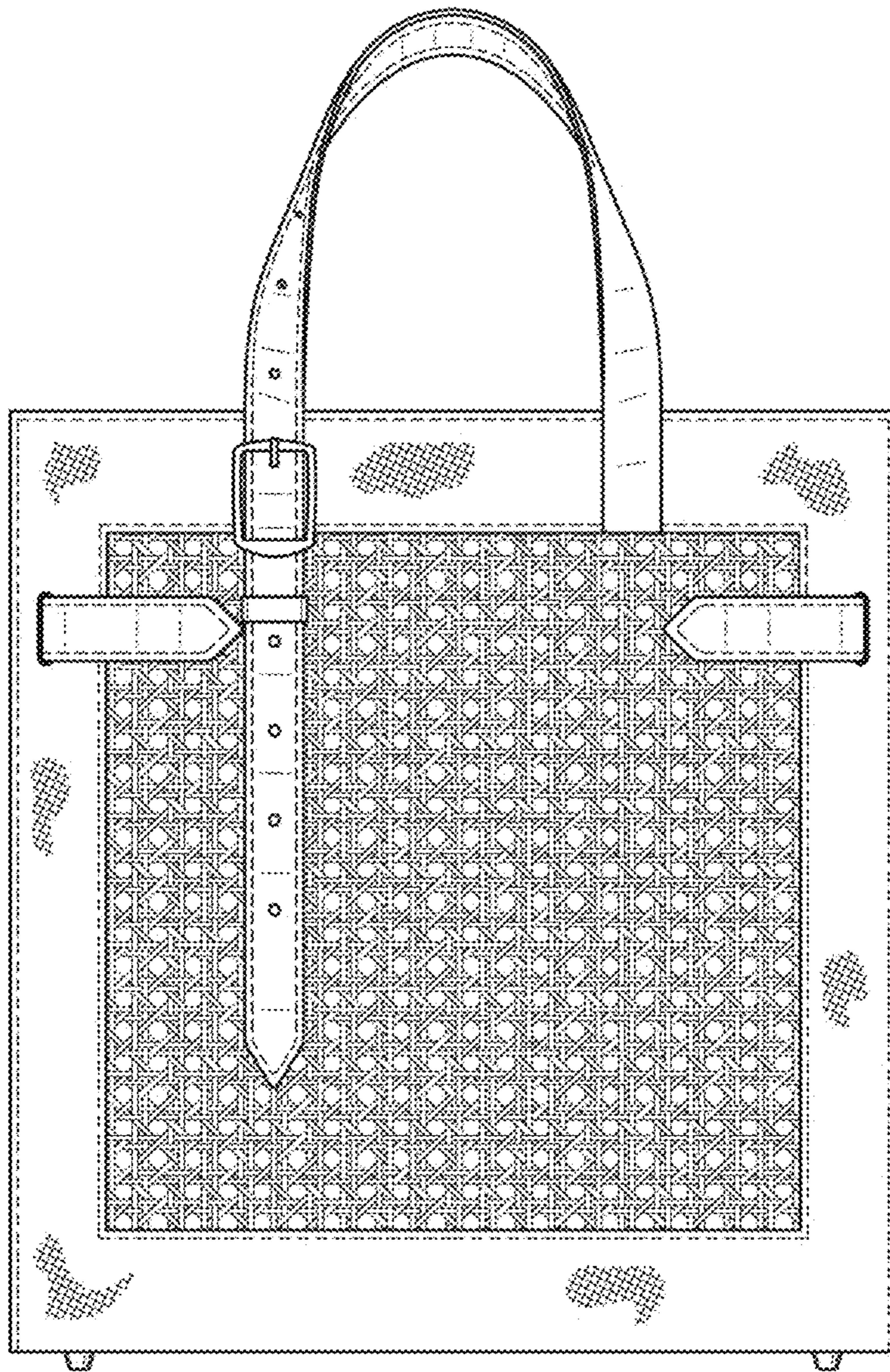


FIG. 3

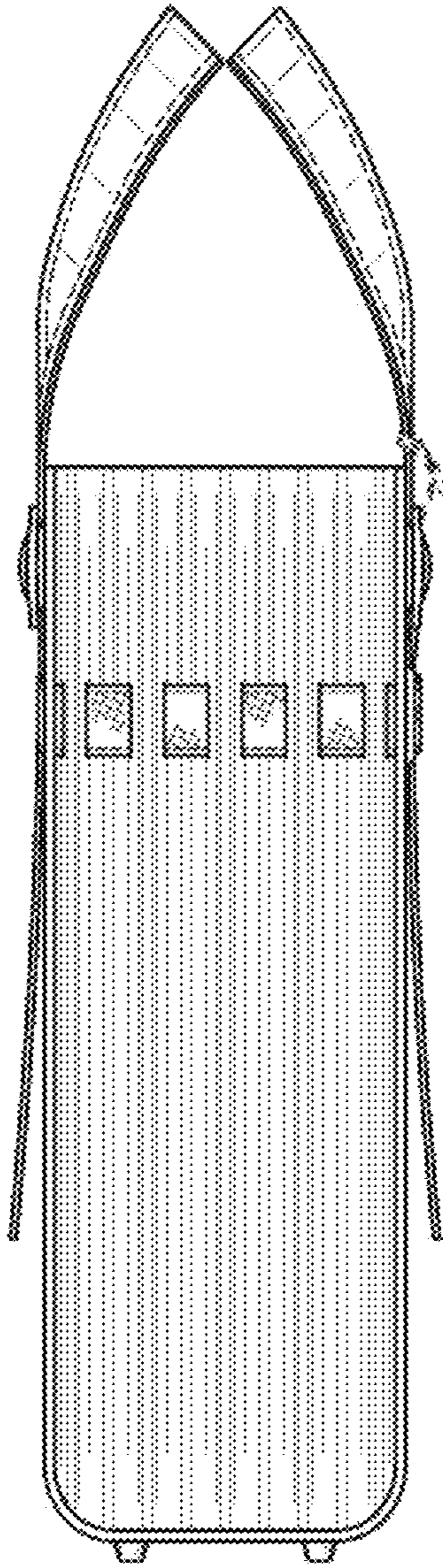


FIG. 4

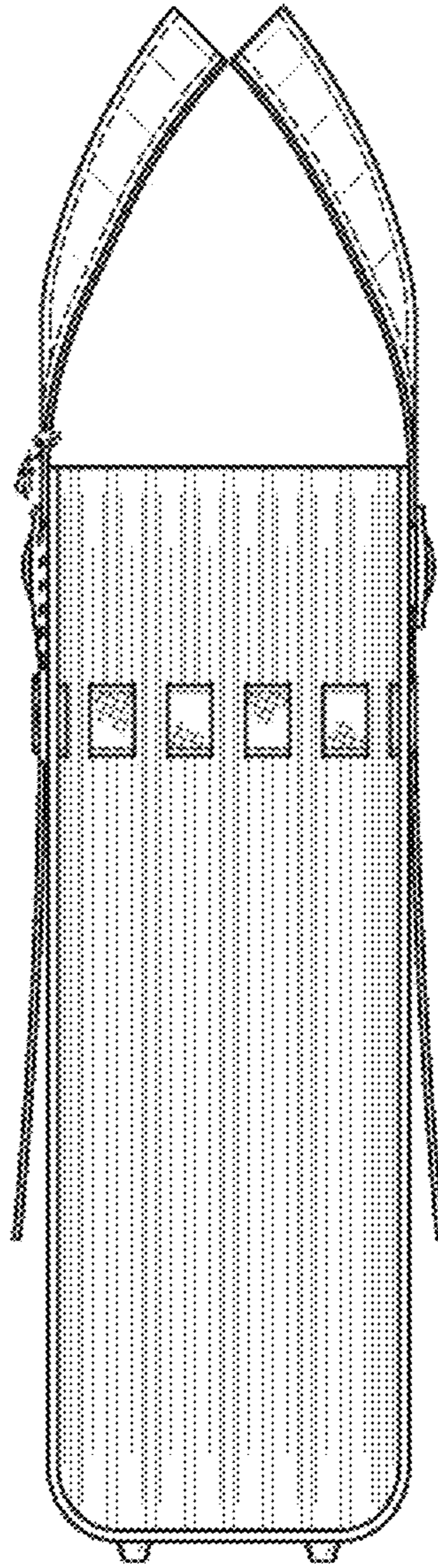


FIG. 5

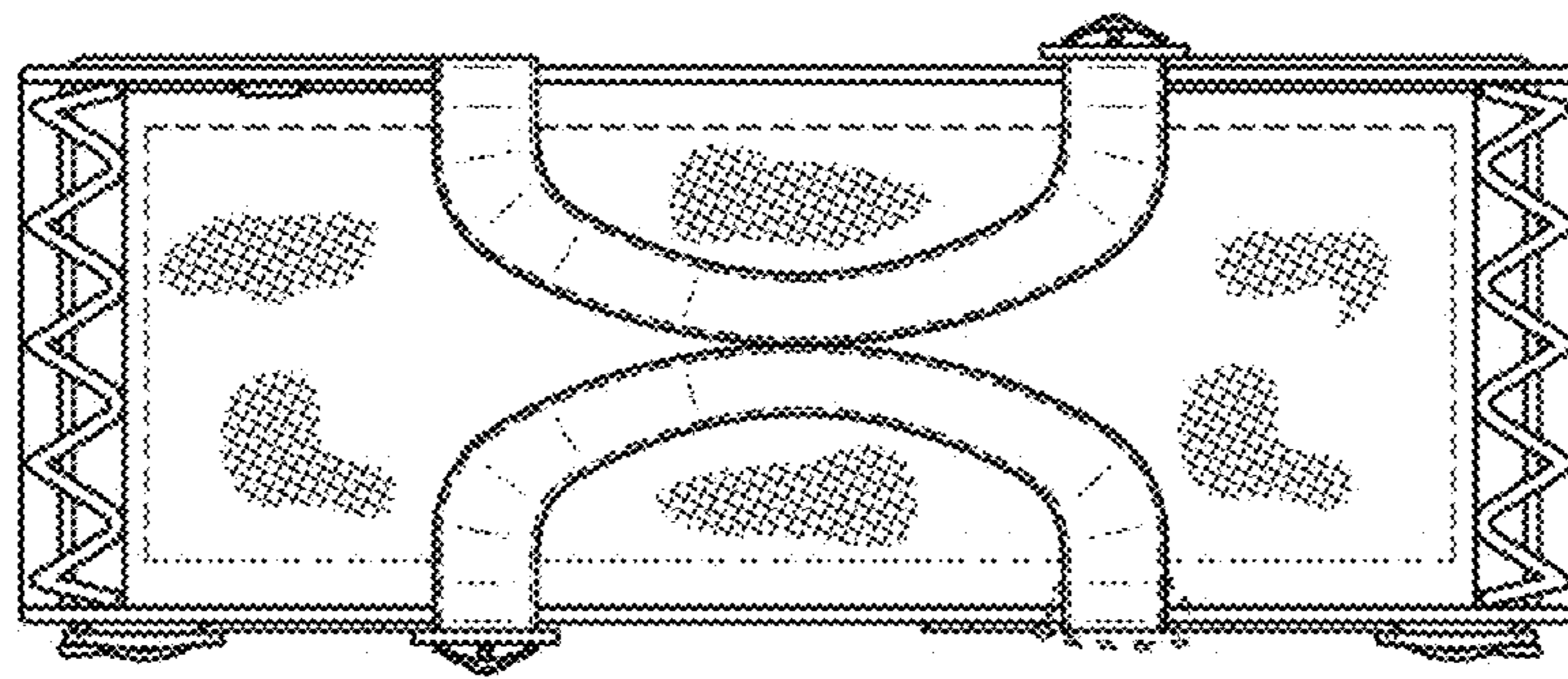


FIG. 6

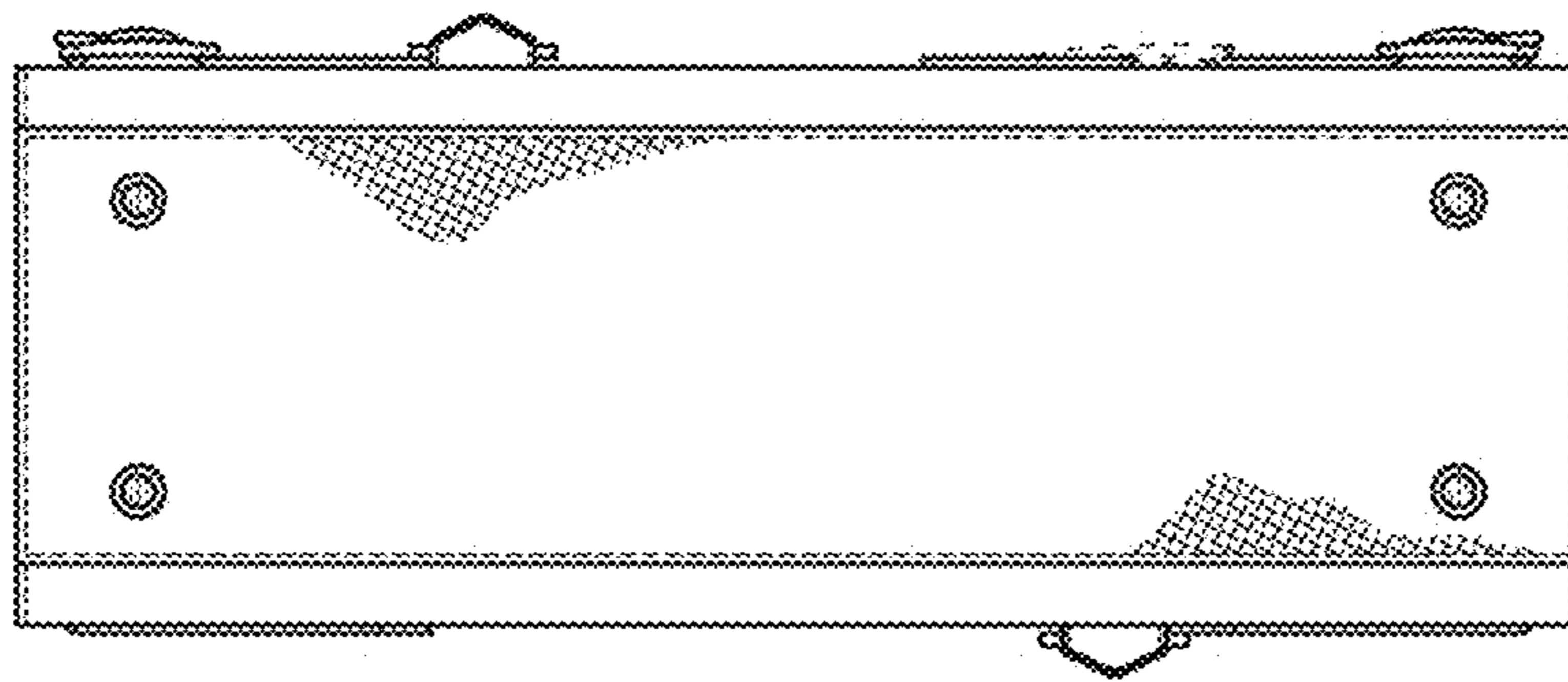


FIG. 7