



US00D951624S

(12) **United States Design Patent** (10) **Patent No.:** **US D951,624 S**
Kohen et al. (45) **Date of Patent:** **** May 17, 2022**

- (54) **CANTILEVER UMBRELLA BASE**
- (71) Applicants: **Amiram Kohen**, Yahud-Monoson (IL);
Aksimo Distribution Ltd.,
Kokhav-Ya'ir Tzur-Yigal (IL)
- (72) Inventors: **Amiram Kohen**, Yahud-Monoson (IL);
Maxim Golbraich, Kokhav-Ya'ir
Tzur-Yigal (IL)
- (73) Assignees: **Amiram Kohen**, Yahud Monoson (IL);
AKSIMO DISTRIBUTION LTD.,
Kokhav Ya'ir Tzur (IL)

2002/0185167 A1 12/2002 Lin
 2004/0069922 A1* 4/2004 Wu E04H 12/2246
 248/519
 2008/0224016 A1 9/2008 Defu
 2013/0062585 A1 3/2013 Deering
 2013/0146739 A1 6/2013 Zhao
 (Continued)

- (**) Term: **15 Years**
- (21) Appl. No.: **29/764,801**
- (22) Filed: **Jan. 3, 2021**
- (51) **LOC (13) Cl.** **03-03**
- (52) **U.S. Cl.**
USPC **D3/10**
- (58) **Field of Classification Search**
USPC D3/5-17; D13/101-107, 133, 154
CPC A45B 17/00; A45B 23/00; E04H 12/2238;
A47F 5/00
See application file for complete search history.

FOREIGN PATENT DOCUMENTS

CN 302775770 * 4/2014
 CN 304692132 * 6/2018
 DE 102012018917 A1 3/2014

OTHER PUBLICATIONS

Ikea.com, Site visited Feb. 16, 2021, Svarto Umbrella Base, oldest review dated Nov. 30, 2017, <https://www.ikea.com/us/en/p/svartoe-umbrella-base-10285328/> (Year: 2017).*
 (Continued)

Primary Examiner — Brett Miller
Assistant Examiner — Jessica M Gebhart
 (74) *Attorney, Agent, or Firm* — Koffsky Schwalb LLC;
 Mark I. Koffsky

(57) **CLAIM**

We claim the ornamental design for a cantilever umbrella base, as shown and described.

DESCRIPTION

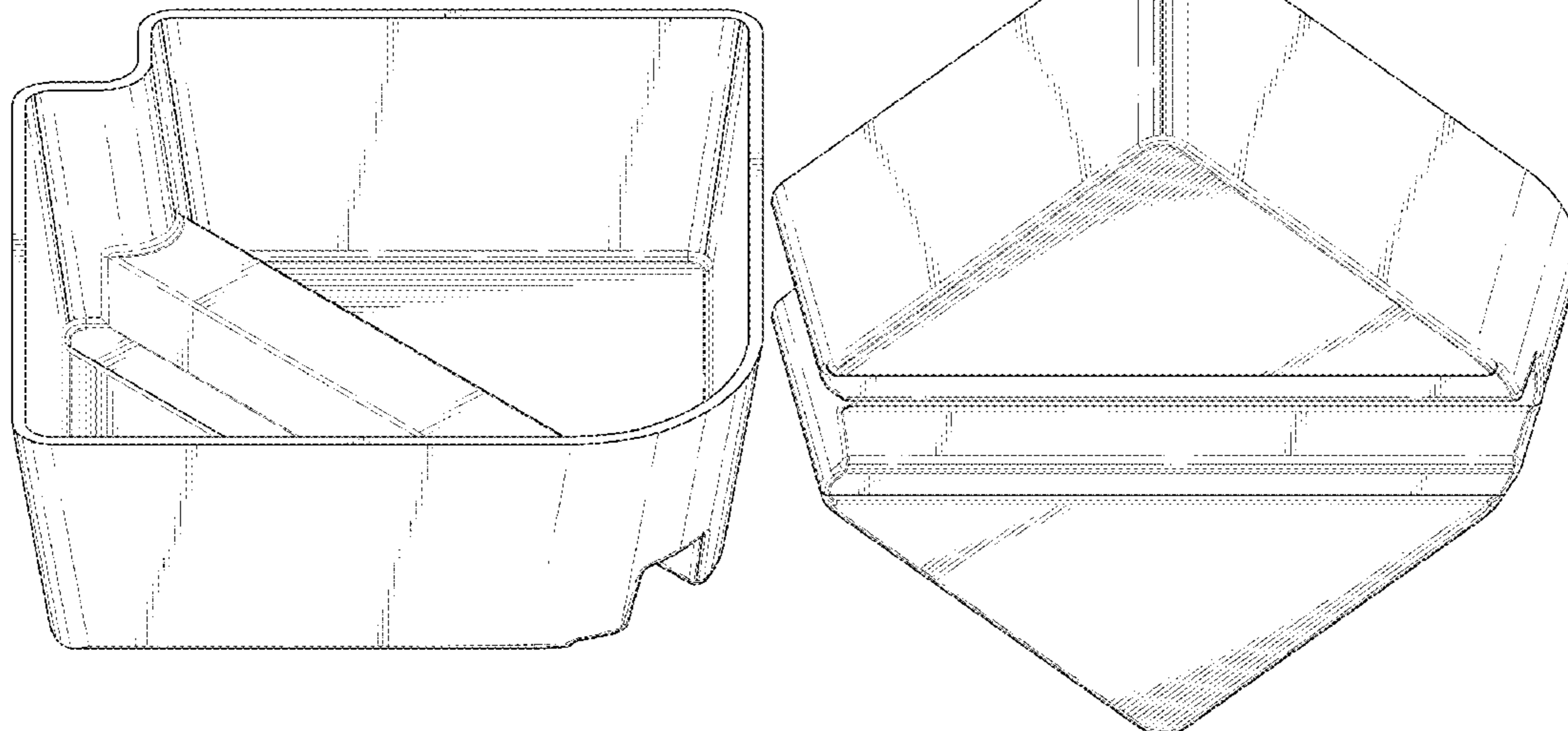
FIG. 1 is an upper perspective view of a section of a cantilever umbrella base;
 FIG. 2 is lower perspective view thereof;
 FIG. 3 is a top view thereof;
 FIG. 4 is a bottom view thereof;
 FIG. 5 is a left view thereof;
 FIG. 6 is a right view thereof;
 FIG. 7 is a front view thereof; and,
 FIG. 8 is a back view thereof.

1 Claim, 8 Drawing Sheets

(56) **References Cited**

U.S. PATENT DOCUMENTS

5,499,644 A 3/1996 Geniele
 6,203,198 B1 3/2001 Stone
 6,328,665 B1 12/2001 Gormley
 6,415,927 B1 7/2002 Stone
 6,889,953 B2 5/2005 Harbaugh
 D644,559 S * 9/2011 Hashimoto D11/143
 8,485,757 B2 7/2013 Nomoto
 8,807,513 B2 8/2014 Volin
 D868,449 S * 12/2019 Siegenthaler D3/10
 10,813,425 B2 10/2020 Shen
 D919,955 S * 5/2021 Chen D3/10
 D931,595 S * 9/2021 Wang D3/10



(56)

References Cited

U.S. PATENT DOCUMENTS

2013/0146740 A1 6/2013 Ma
2016/0024813 A1 1/2016 Koyl
2016/0258126 A1* 9/2016 Pelletier E02D 27/01
2017/0114563 A1* 4/2017 Ye A45B 23/00
2018/0266137 A1 9/2018 Lomax
2018/0334828 A1 11/2018 Pan
2020/0208429 A1 7/2020 Ma

OTHER PUBLICATIONS

Amazon.ca, Site visited Feb. 16, 2022, Outsunny 60 Liter Water Weighted Adjustable Umbrella Stand, First available Jul. 1, 2020, <https://www.amazon.ca/Outsunny-Outdoor-Weighted-Adjustable-Umbrella/dp/B07B1TB3LY> (Year: 2020).*

Overstock.com, Site visited Feb. 15, 2022, Hilford Cantilever 4 Piece Heavy Duty Fillable Umbrella Weighted Base Stand, Oldest review Jul. 11, 2020, <https://www.overstock.com/Home-Garden/Universal-Heavy-Duty-Plastic-Umbrella-Base-Set-of-4-Angel-Weights/23463406/customer-reviews.html> (Year: 2020).*

* cited by examiner

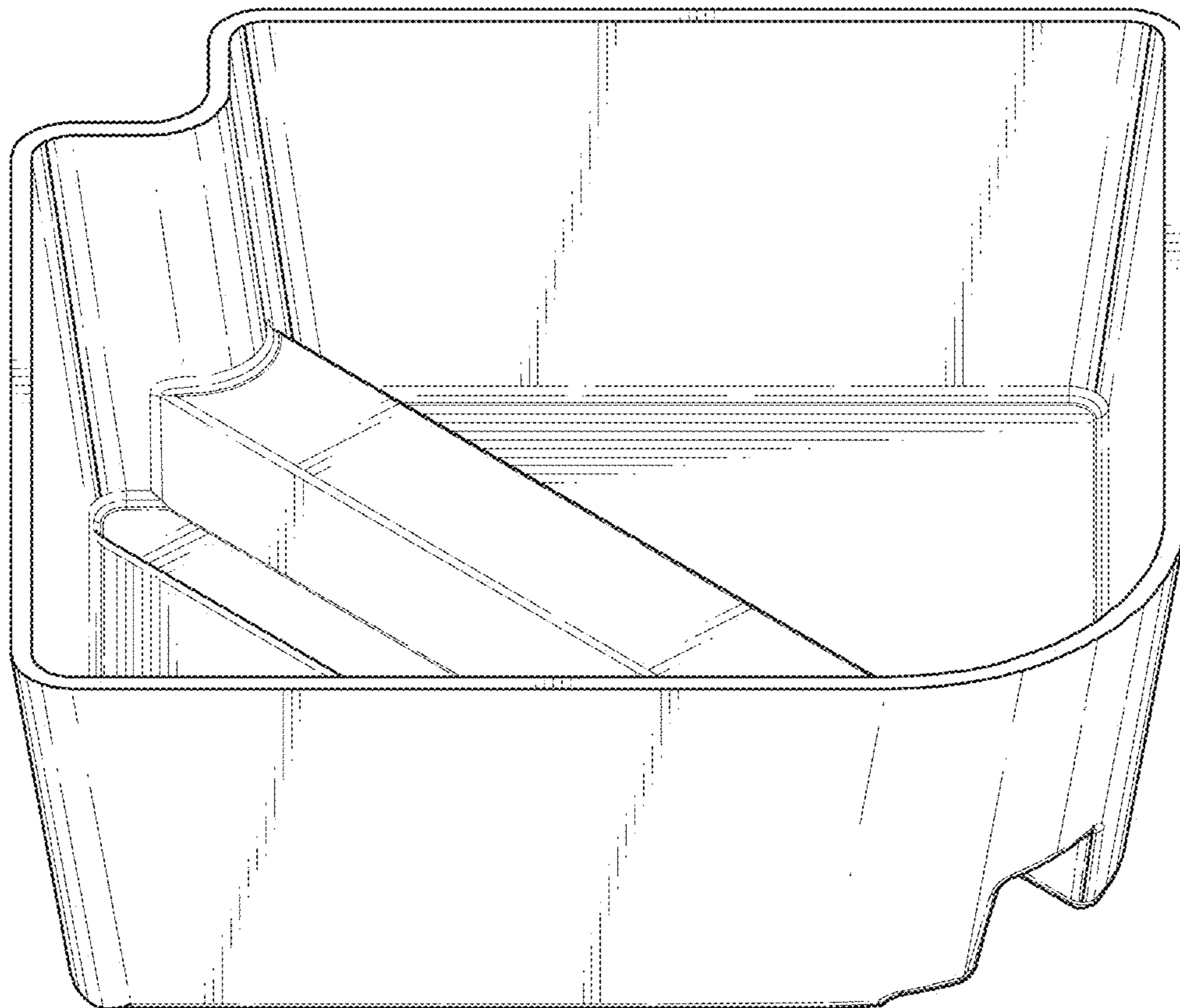


FIG. 1

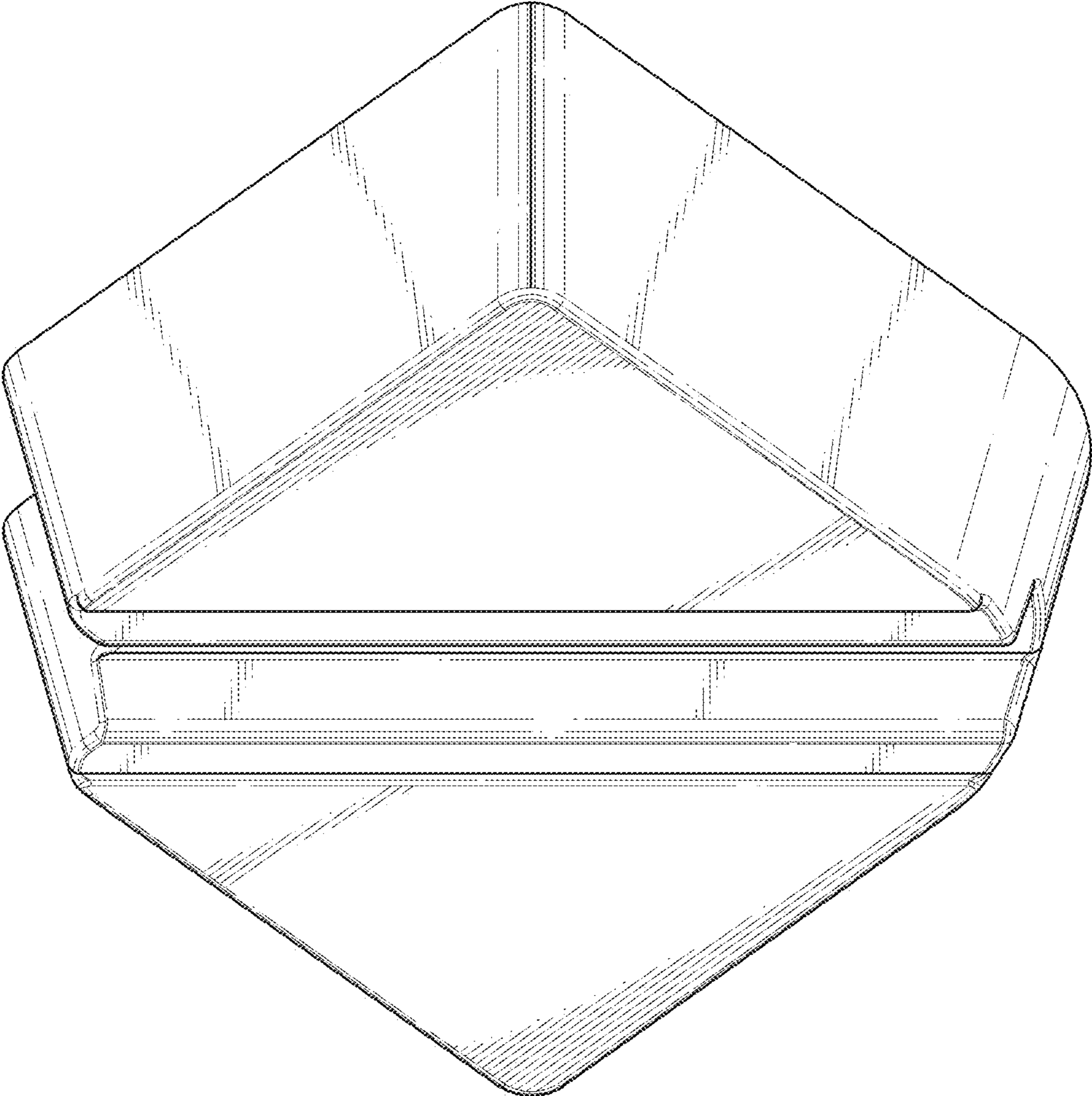


FIG. 2

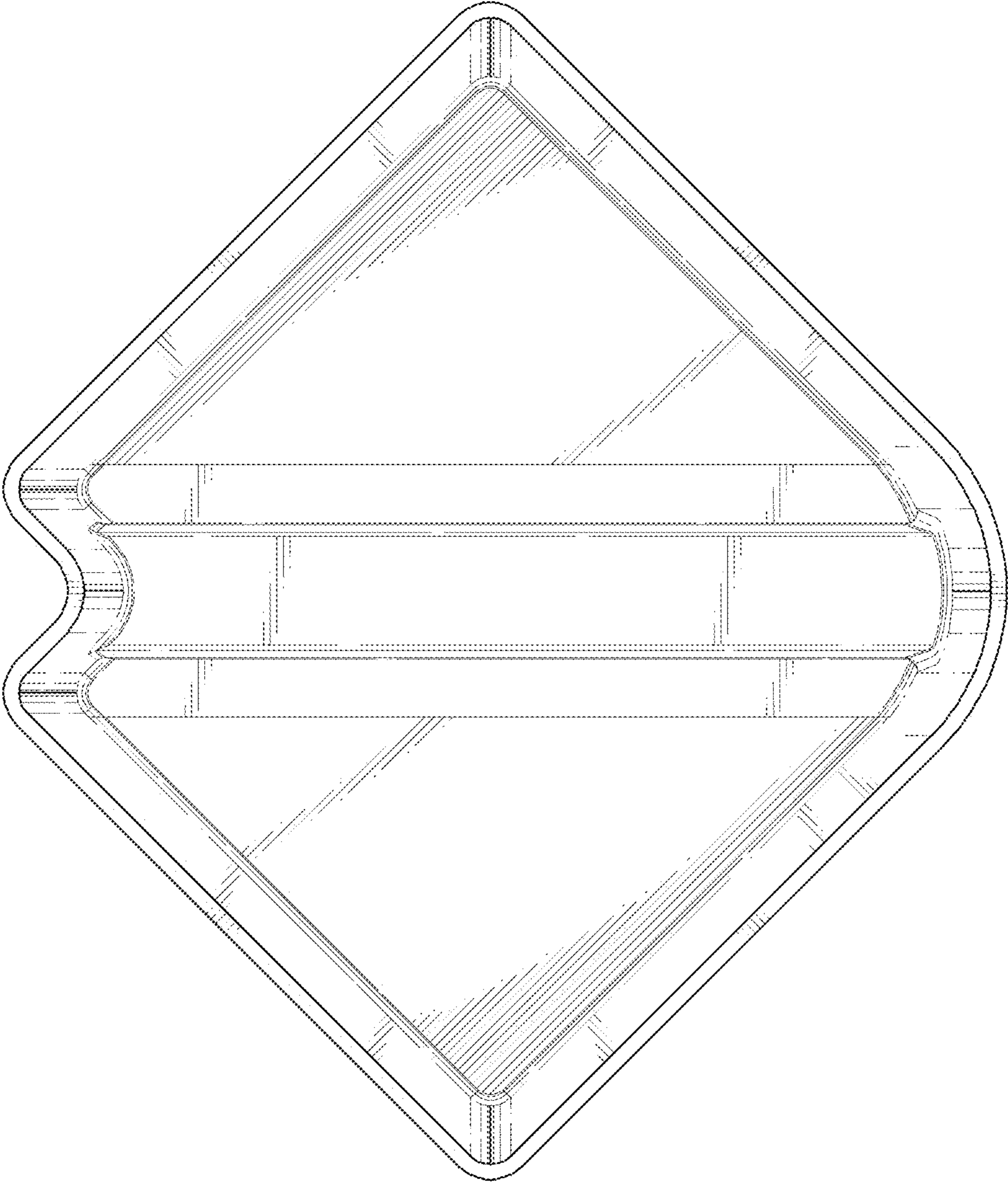


FIG. 3

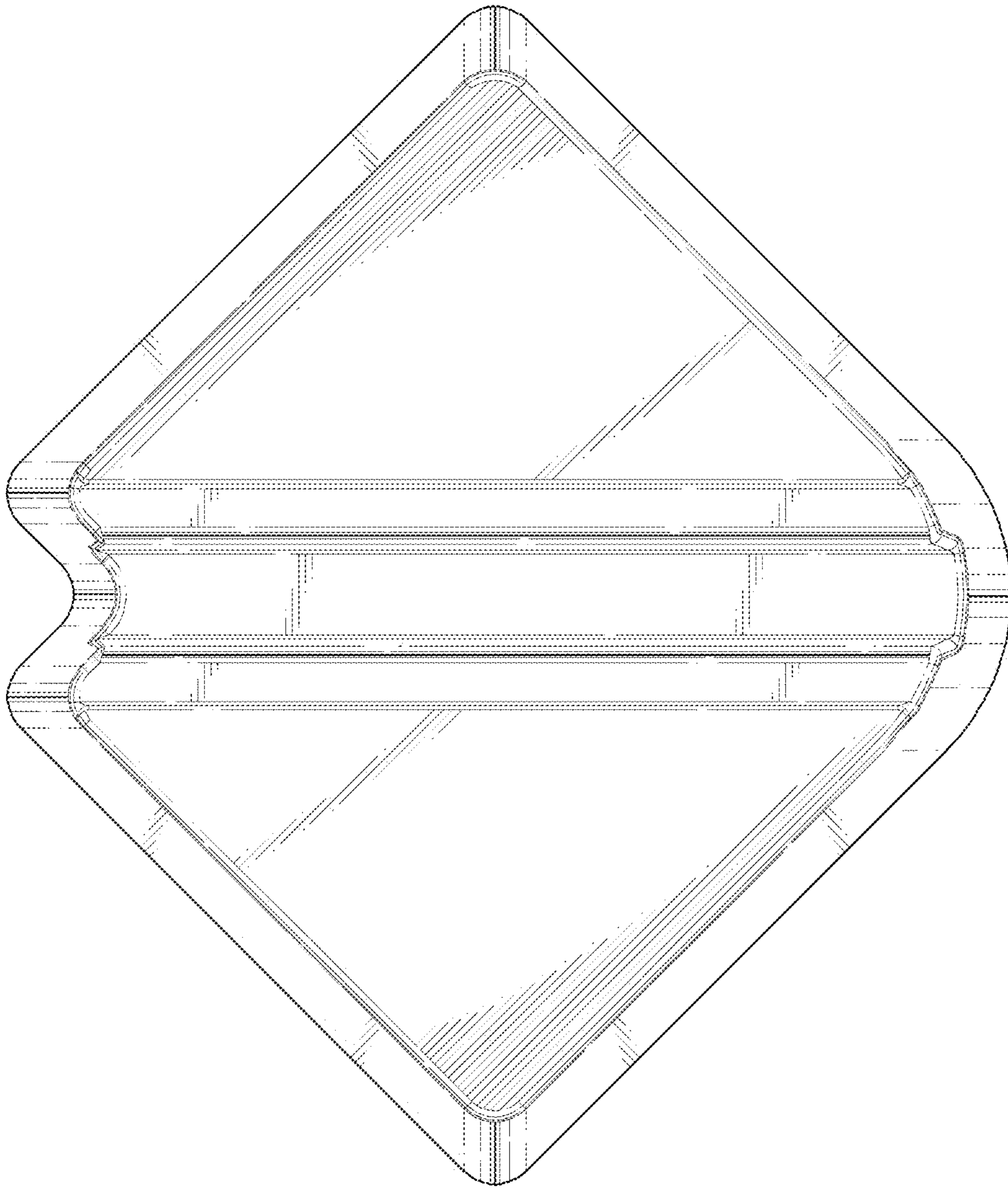


FIG. 4

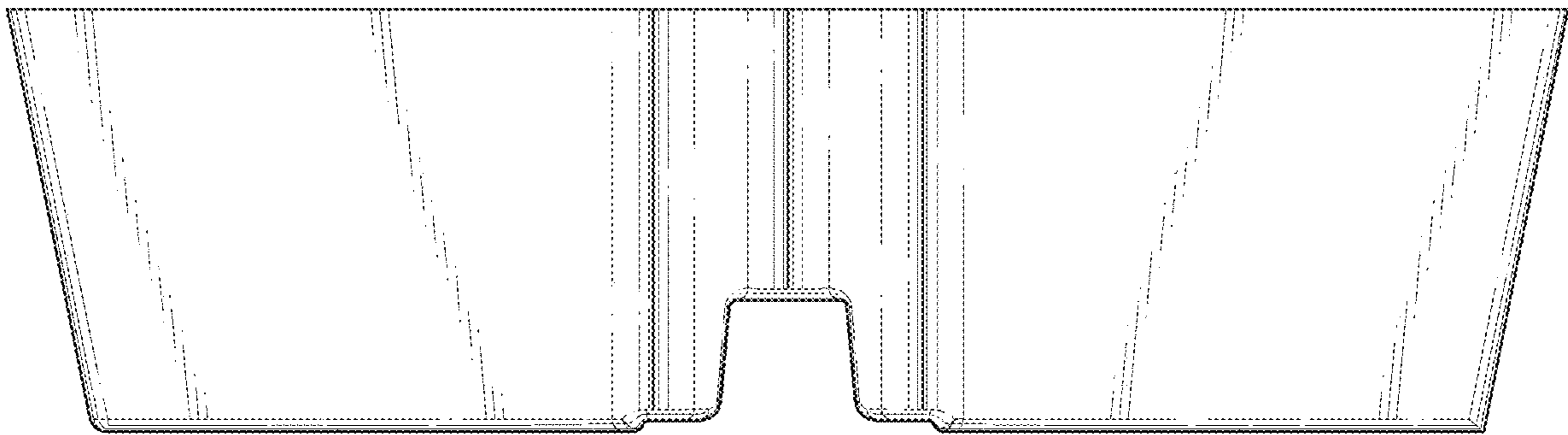


FIG. 5

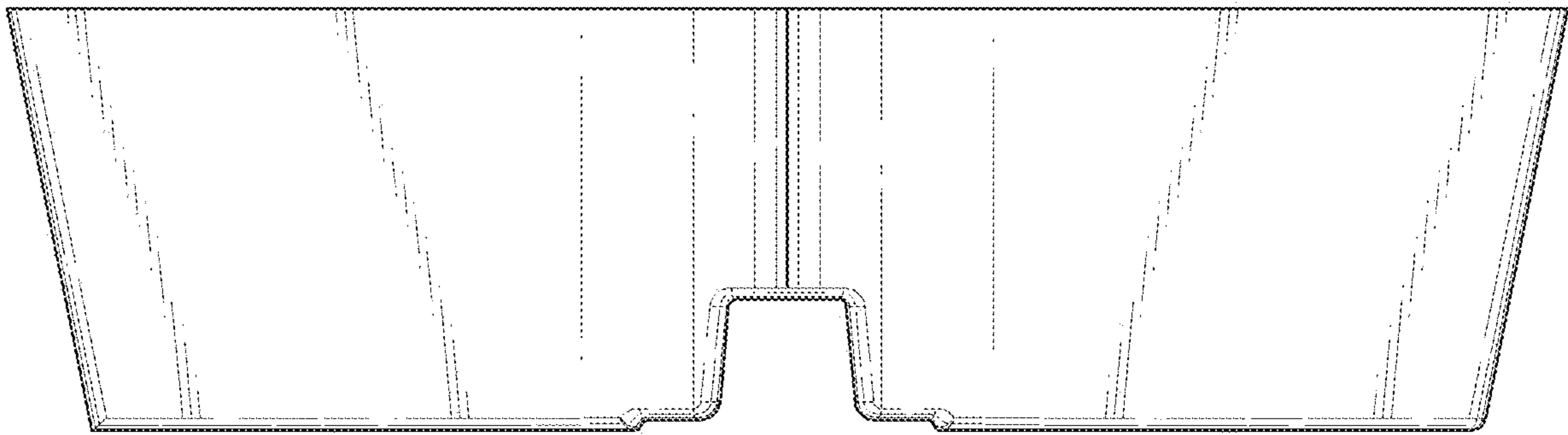


FIG. 6

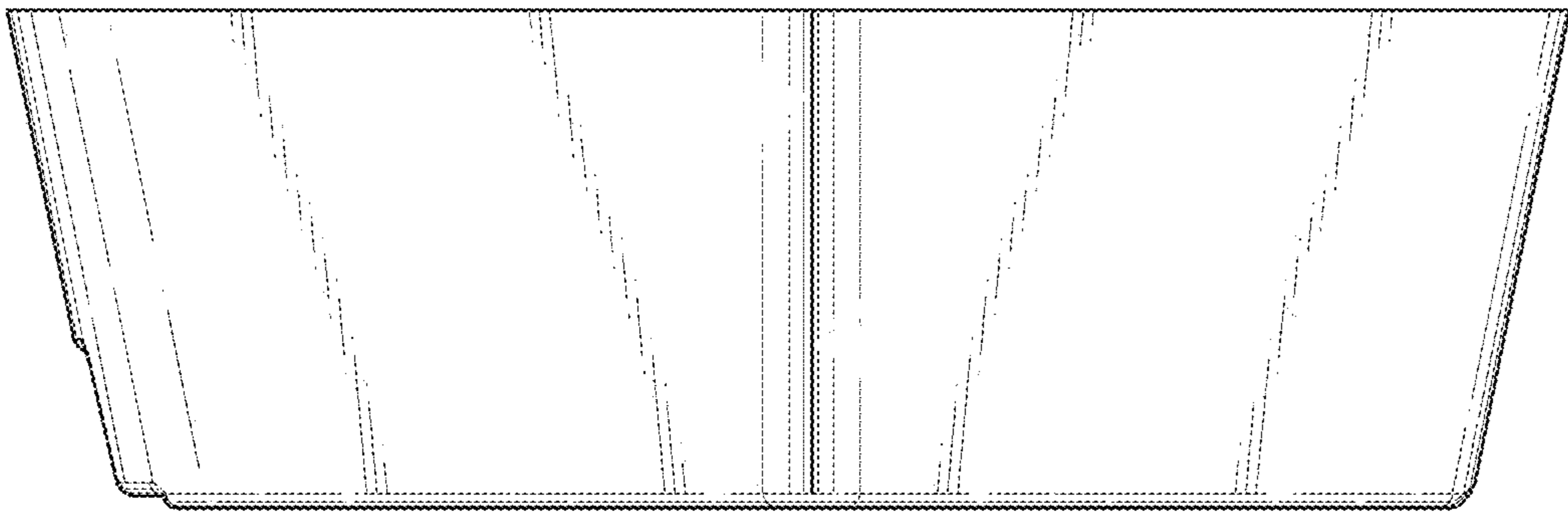


FIG. 7

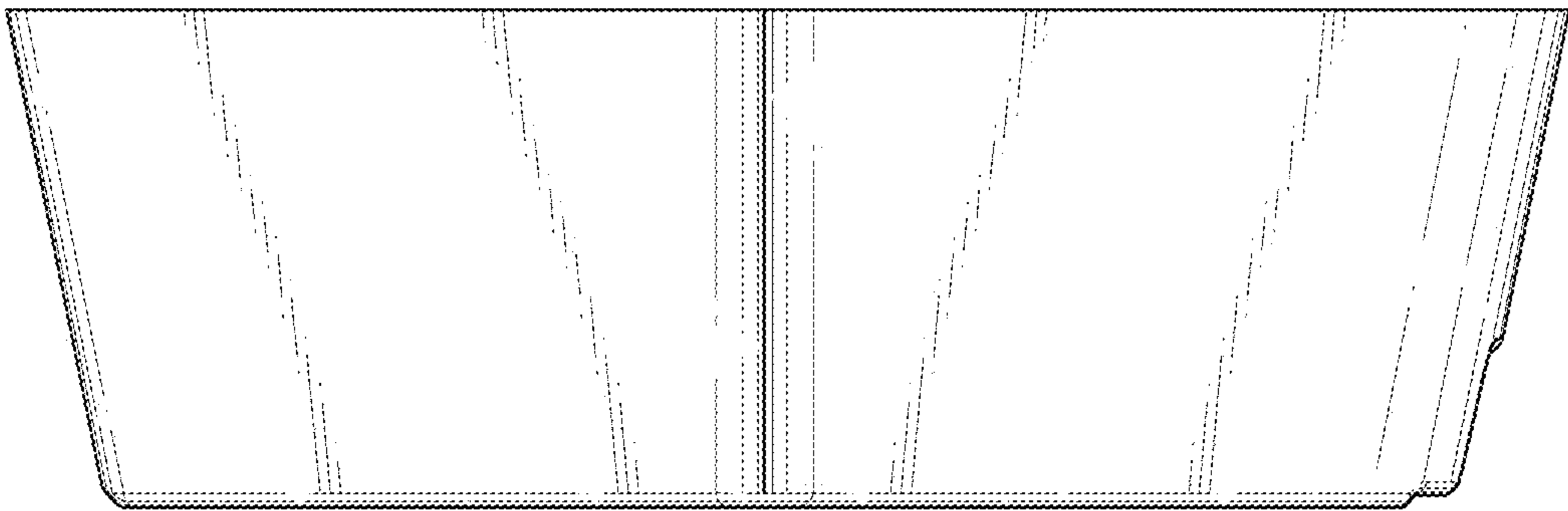


FIG. 8