



US00D951623S

(12) **United States Design Patent**
Savioli

(10) **Patent No.:** **US D951,623 S**

(45) **Date of Patent:** **** May 17, 2022**

(54) **THREE PIECE FOLDING CANE**

(71) Applicant: **VIVE HEALTH LLC**, Naples, FL
(US)

(72) Inventor: **Gaetano Savioli**, Naples, FL (US)

(73) Assignee: **Vive Health LLC**, Naples, FL (US)

(**) Term: **15 Years**

(21) Appl. No.: **29/695,459**

(22) Filed: **Jun. 19, 2019**

(51) **LOC (13) Cl.** **03-03**

(52) **U.S. Cl.**
USPC **D3/7**

(58) **Field of Classification Search**
USPC D3/5, 6, 7, 8, 9, 10, 12, 13, 14, 16
CPC A45B 7/00; A45B 9/00; A45B 2009/005;
A45B 2009/007; A45B 2200/05; A61H
3/02; A61H 3/06

See application file for complete search history.

(56) **References Cited**

U.S. PATENT DOCUMENTS

4,787,405	A *	11/1988	Karwoski	A45B 3/00	135/65
5,331,990	A *	7/1994	Hall	A45B 3/00	135/65
5,640,985	A *	6/1997	Snyder	A45B 3/00	135/65
D408,126	S *	4/1999	Hunnicut, Jr.	D3/7	
D417,068	S *	11/1999	Swercheck, Sr.	D3/7	
6,000,414	A *	12/1999	Crusor	A45B 1/04	135/66
D552,340	S *	10/2007	Graves	D3/7	
D555,350	S *	11/2007	Graves	A45B 9/02	D3/7
7,540,296	B2 *	6/2009	Meyers	A45B 9/02	135/76

7,600,523	B1 *	10/2009	Hawkesworth	A61H 3/0277	135/65
D632,069	S *	2/2011	Thiessens	A45B 9/00	D3/7
8,424,548	B2 *	4/2013	Willey	A45B 3/00	135/66

(Continued)

OTHER PUBLICATIONS

NOVA Heavy Duty Walking Cane with Offset Handle, 500 lb. Weight Capacity, Lightweight Adjustable Walking Stick with Carrying Strap, Black, amazonhttps://www.amazon.com/NOVA-Capacity-Lightweight-Adjustable-Carrying/dp/B081GXL6LM/ref=psdc_3776641_t3_B07F7YP5LR?th=1.

(Continued)

Primary Examiner — Steven J Czyz

(74) *Attorney, Agent, or Firm* — Workman Nydegger

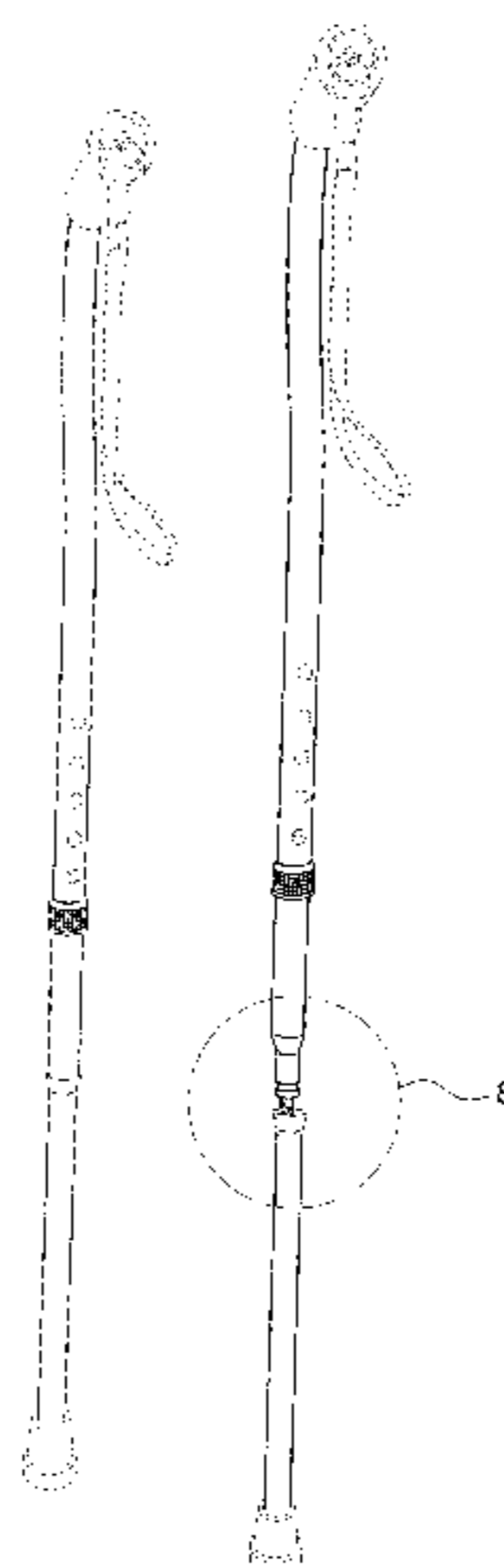
(57) **CLAIM**

The ornamental design for a three piece folding cane, as shown and described.

DESCRIPTION

FIG. 1 is a front perspective view of a three piece folding cane showing the new design;
FIG. 2 is a right elevation view thereof, with the left elevation view thereof being a mirror image;
FIG. 3 is a back elevation view thereof;
FIG. 4 is a front elevation view thereof;
FIG. 5 is a top plan view thereof;
FIG. 6 is a bottom plan view thereof;
FIG. 7 is a front perspective view of the three piece folding cane shown in an alternative state, disclosing the internal connection elements for ease of disclosure; and,
FIG. 8 is an enlarged view of the internal connecting elements of the three piece folding cane, taken from the dash-dot dot-dash line in FIG. 7.

(Continued)



The evenly spaced broken lines in the drawings depict portions of the article that form no part of the claimed design.

1 Claim, 7 Drawing Sheets

2003/0047203	A1*	3/2003	Lah	E04H 15/48 135/114
2008/0041432	A1*	2/2008	Willis	A45B 9/04 135/74
2010/0200032	A1*	8/2010	Lee	A45B 9/00 135/74
2014/0261593	A1*	9/2014	Howarth	F16B 7/04 135/74

(56)

References Cited

U.S. PATENT DOCUMENTS

9,386,830	B2*	7/2016	Crowhurst	A45B 9/00
9,596,912	B2*	3/2017	Sacks	A45B 1/04
9,609,925	B2*	4/2017	Lenhart	A63C 11/227
9,974,366	B2*	5/2018	Heim	A45B 9/00
D861,320	S*	10/2019	Ritter	D3/7
10,492,577	B2*	12/2019	Ritter	A45B 9/04
D876,810	S*	3/2020	AlGhazi	D3/7
10,575,607	B2*	3/2020	Bullard	A45B 9/04

OTHER PUBLICATIONS

KingGear Adjustable Cane for Men & Women—Lightweight & Sturdy Offset Walking Stick—Mobility Aid for Elderly, Seniors & Handicap (Blue), amazon.com, https://www.amazon.com/dp/B078SHSG4C/ref=sspa_dk_detail_0?pd_rd_i=B083BL86P6&pd_rd_w=qqKFt&pf_rd_p=48d372c1-f7e1-4b8b-9d02-4bd86f5158c5&pd_rd_wg=FVvGL&pf_r.*

* cited by examiner

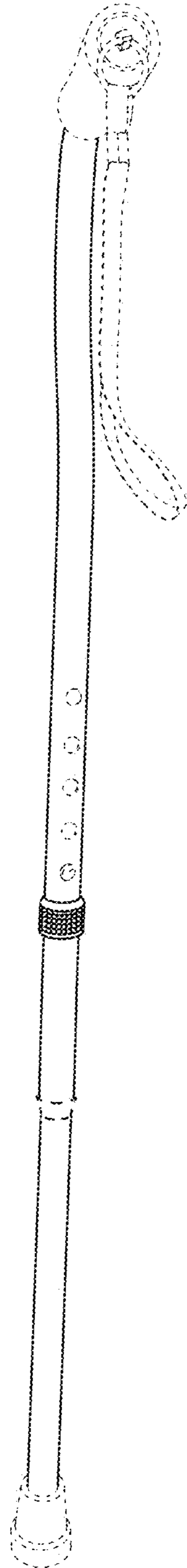


FIG. 1

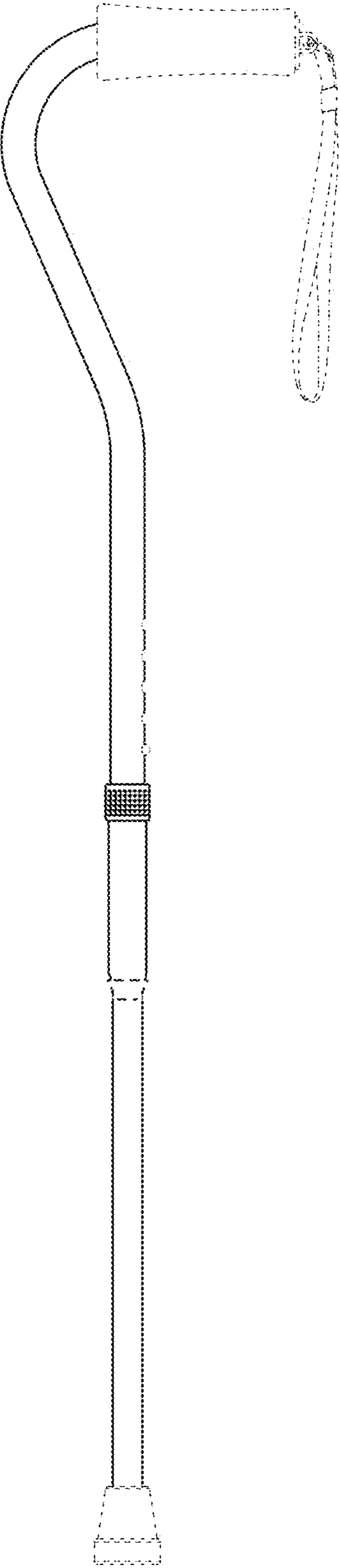


FIG. 2

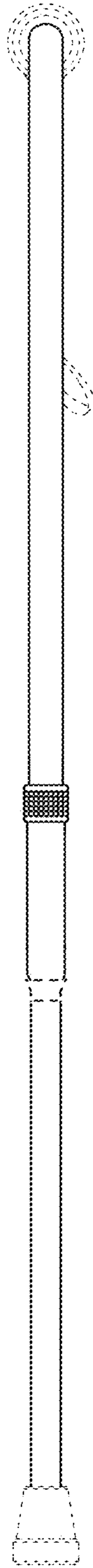


FIG. 3

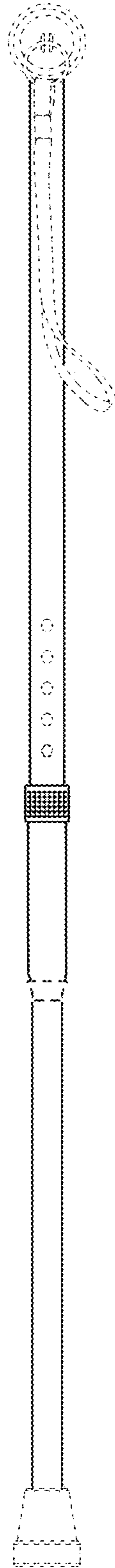


FIG. 4

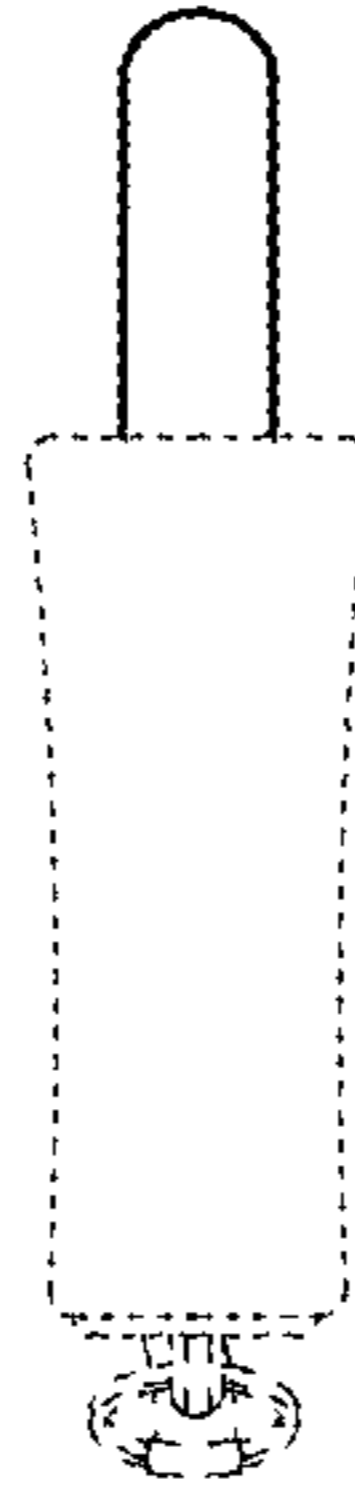


FIG. 5



FIG. 6

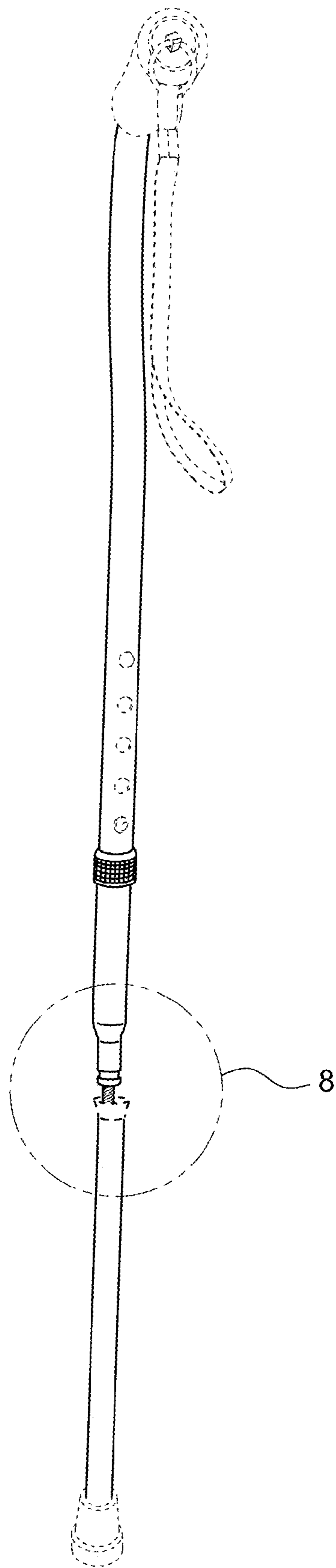


FIG. 7

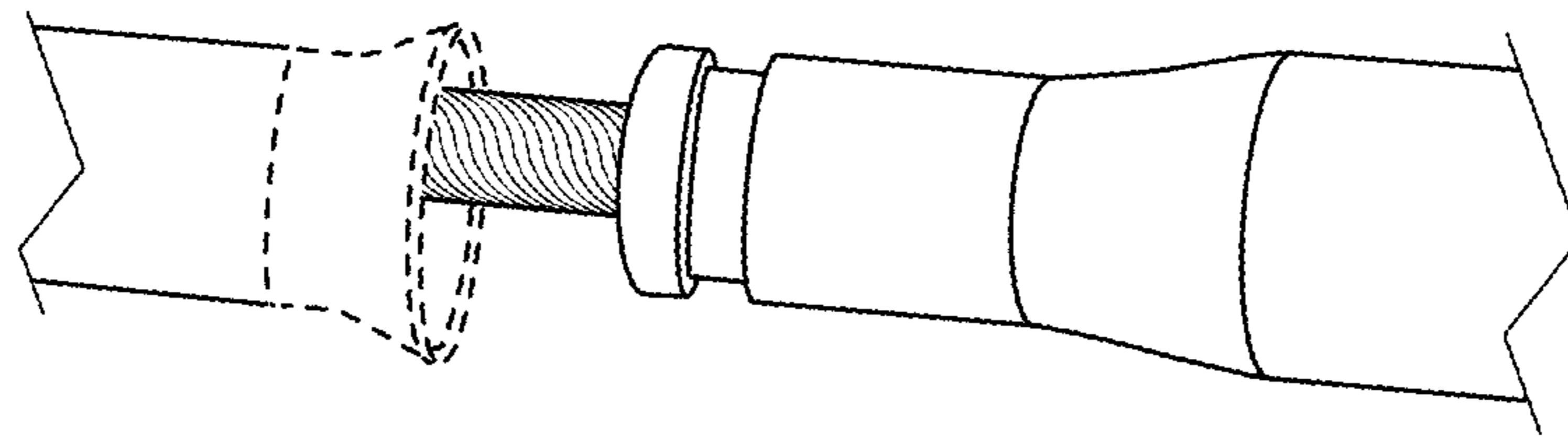


FIG. 8