



US00D951604S

(12) **United States Design Patent**
Martin et al.

(10) **Patent No.:** **US D951,604 S**
(45) **Date of Patent:** **** May 17, 2022**

(54) **SANDAL**

(71) Applicant: **ROTHY'S, INC.**, San Francisco, CA
(US)

(72) Inventors: **William Roth Martin**, San Francisco,
CA (US); **La Vion Gibson**, San
Francisco, CA (US)

(73) Assignee: **ROTHY'S INC.**, San Francisco, CA
(US)

(**) Term: **15 Years**

(21) Appl. No.: **29/731,050**

(22) Filed: **Apr. 10, 2020**

(51) **LOC (13) Cl.** **02-04**

(52) **U.S. Cl.**
USPC **D2/916**

(58) **Field of Classification Search**
USPC D2/896-900, 916-926, 946, 969
CPC A43B 3/12; A43B 1/10; A43B 3/10; A43B
3/102-106

See application file for complete search history.

(56) **References Cited**

U.S. PATENT DOCUMENTS

- 3,037,302 A * 6/1962 McDorman A43B 3/105
36/11.5
- D550,935 S * 9/2007 Issler D2/916
- D694,996 S * 12/2013 Rayko D2/917
- D711,077 S * 8/2014 Bell D2/917
- D789,661 S * 6/2017 Slimane D2/930

- D819,306 S * 6/2018 Pina D2/916
- D827,258 S * 9/2018 Pina D2/916
- D907,902 S * 1/2021 Kim D2/916

* cited by examiner

Primary Examiner — Rashida C. Walshon

(74) *Attorney, Agent, or Firm* — ArentFox Schiff LLP

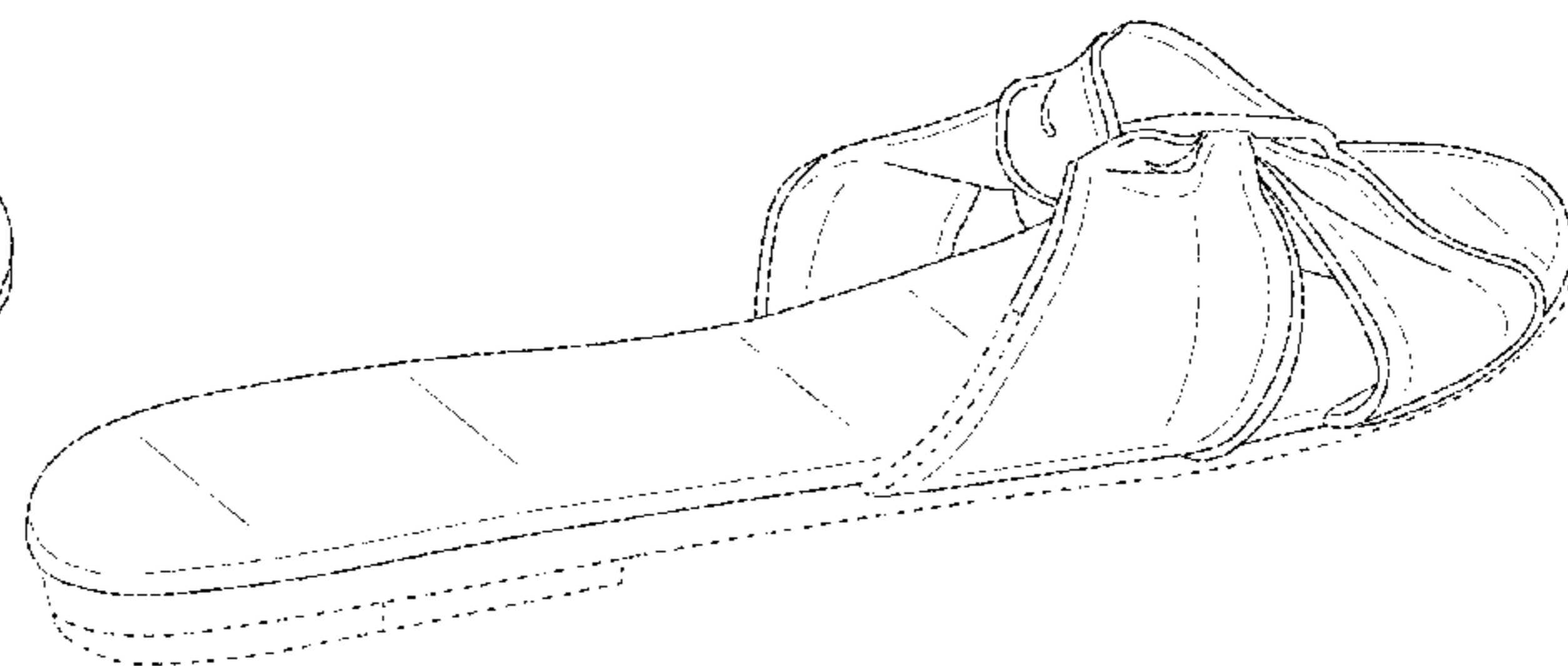
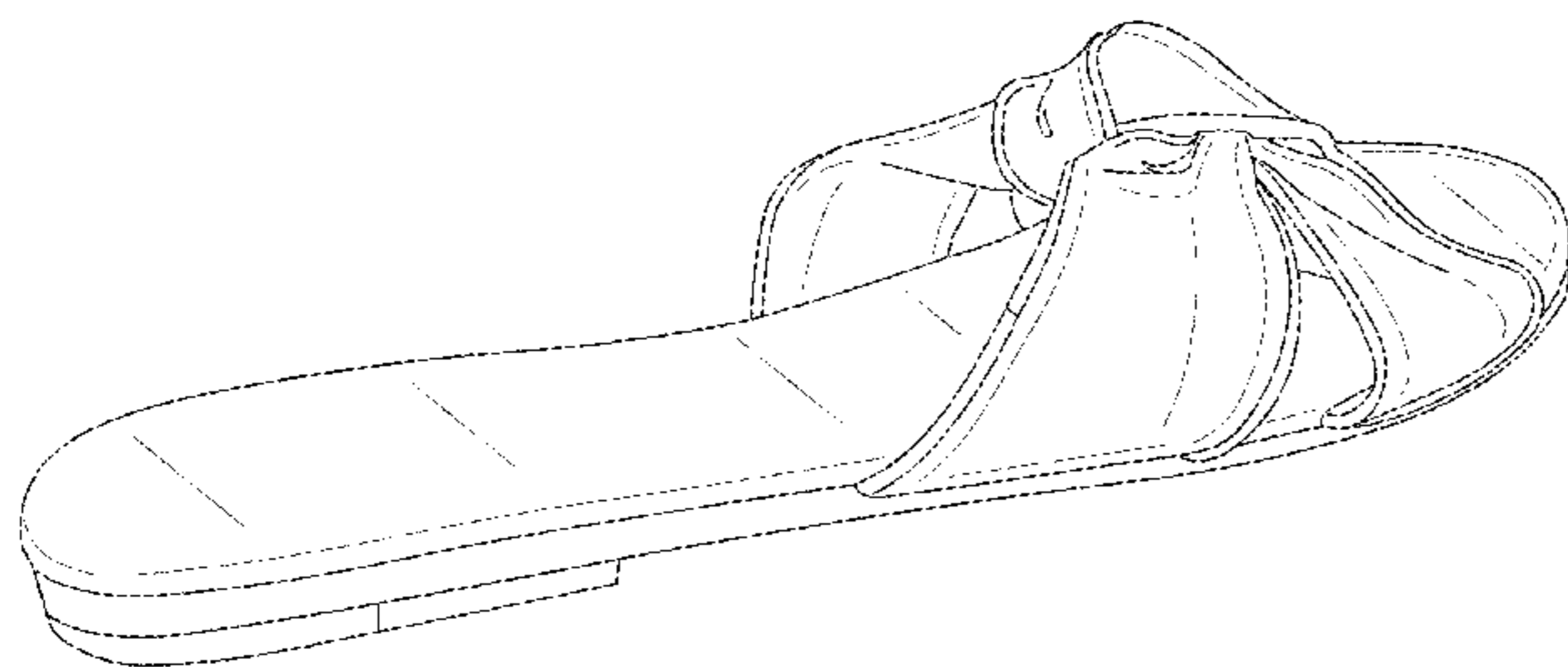
(57) **CLAIM**

The ornamental design for a sandal, as shown and described.

DESCRIPTION

FIG. 1 is a front right perspective view of a first embodiment of a sandal showing our new design;
 FIG. 2 is front view of the design shown in FIG. 1;
 FIG. 3 is a rear view of the design shown in FIG. 1;
 FIG. 4 is a right side view of the design shown in FIG. 1;
 FIG. 5 is a left side view of the design shown in FIG. 1;
 FIG. 6 is a top view of the design shown in FIG. 1;
 FIG. 7 is a bottom view of the design shown in FIG. 1;
 FIG. 8 is front right perspective view of a second embodiment of a shoe showing our new design;
 FIG. 9 is front view of the design shown in FIG. 8;
 FIG. 10 is a rear view of the design shown in FIG. 8;
 FIG. 11 is a right side view of the design shown in FIG. 8;
 FIG. 12 is a left side view of the design shown in FIG. 8;
 FIG. 13 is a top view of the design shown in FIG. 8; and,
 FIG. 14 is a bottom view of the design shown in FIG. 8.
 The figures include broken and solid. The areas within the solid lines form the claimed design. The broken lines shown in the figures are included for the purpose of illustrating environmental structure of the sandal and form no part of the claimed design.

1 Claim, 14 Drawing Sheets



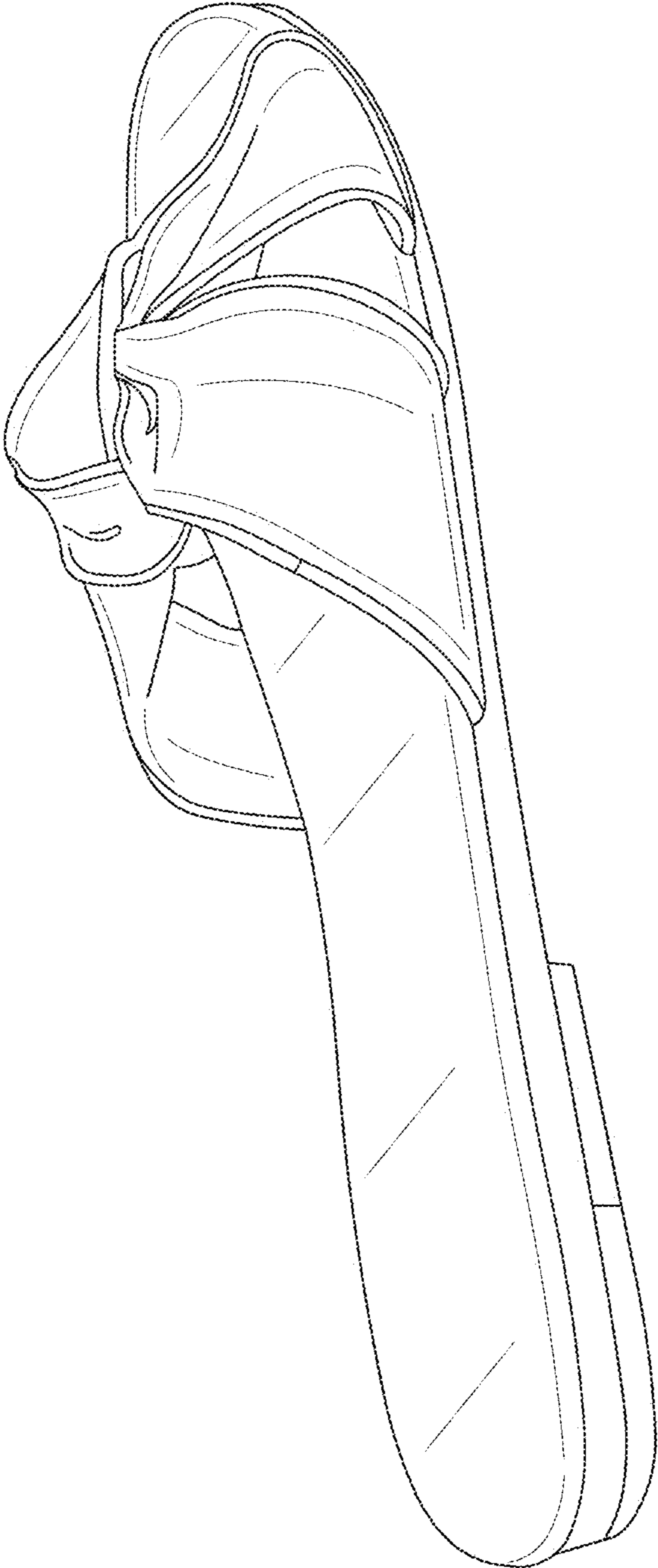


FIG. 1

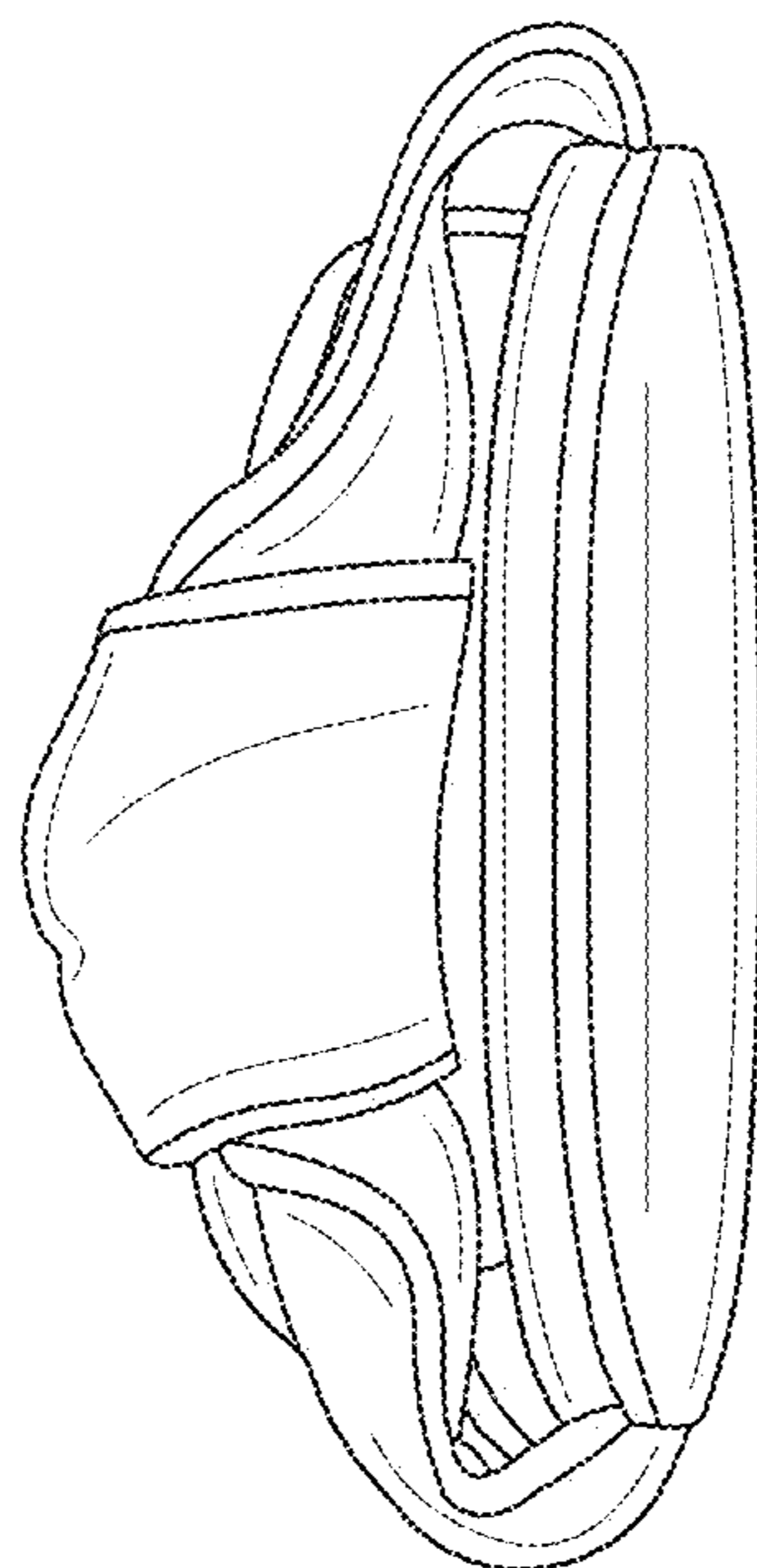


FIG. 2

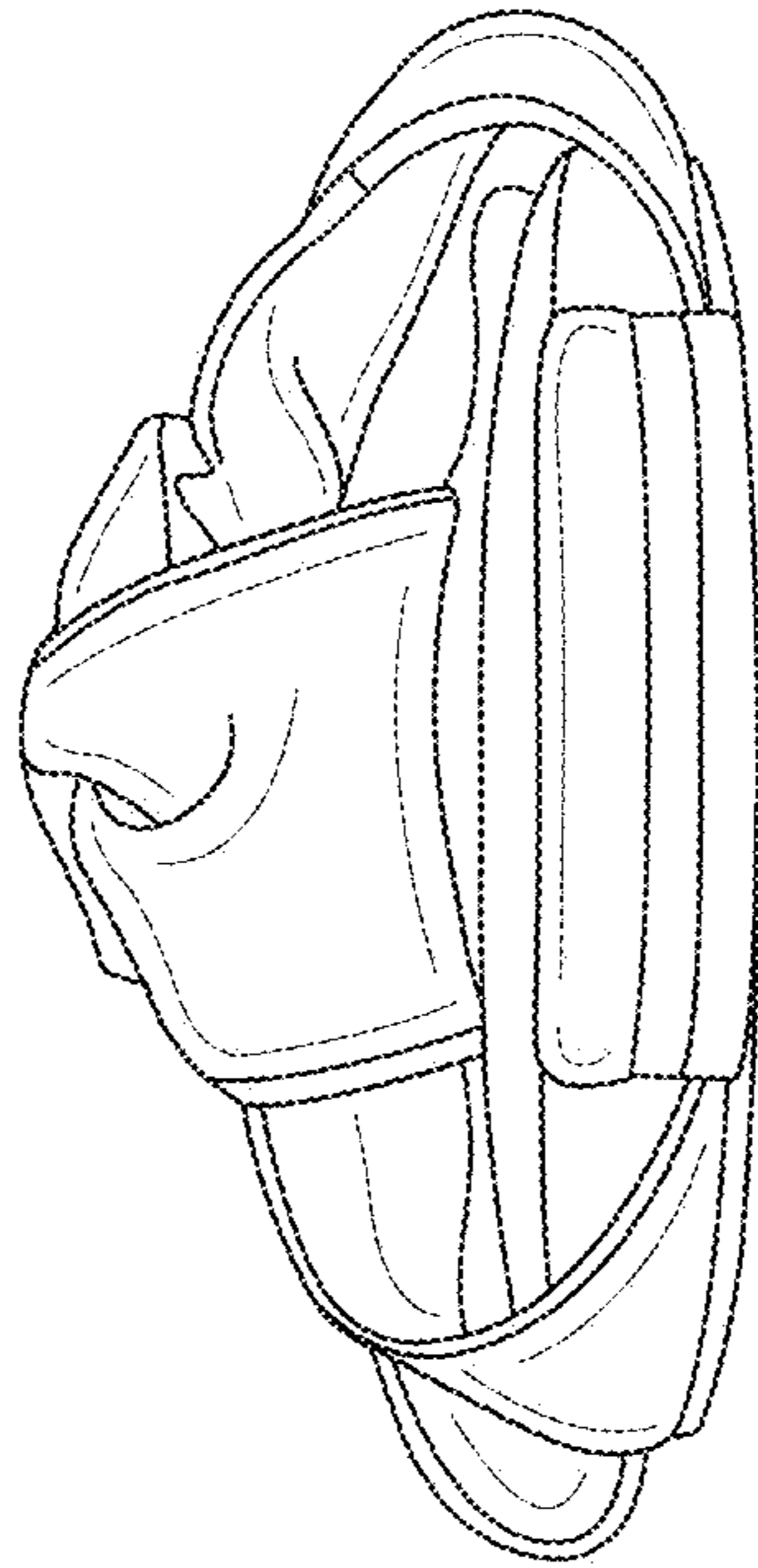


FIG. 3

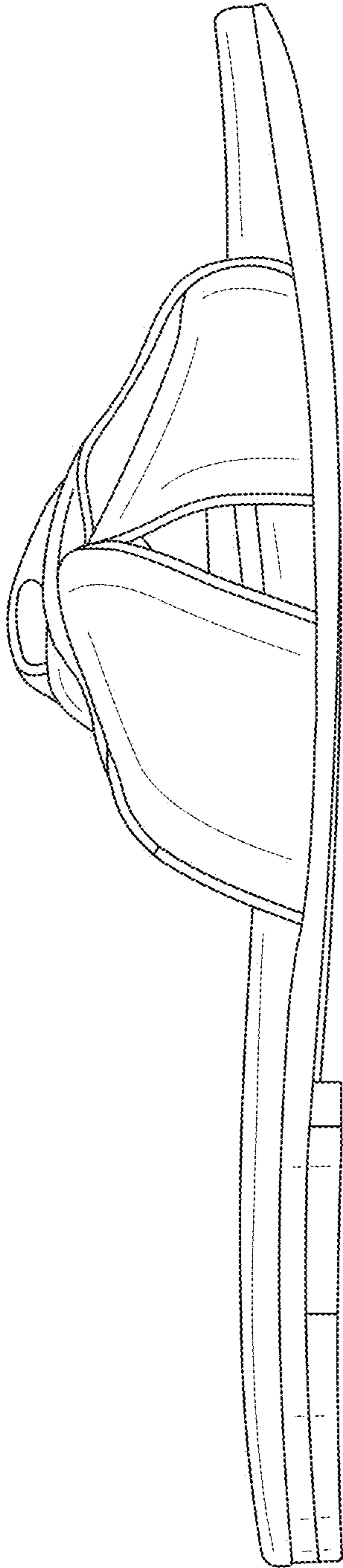


FIG. 4

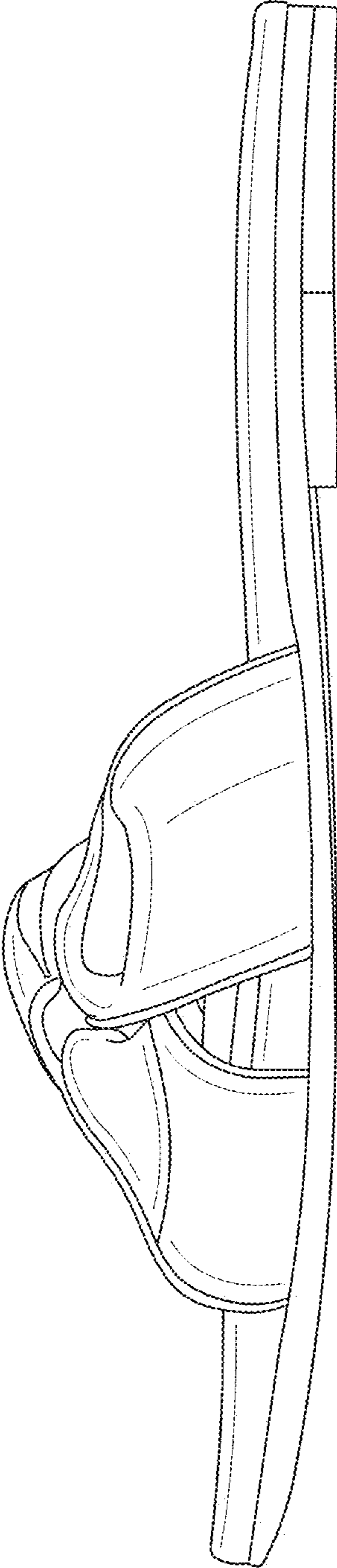


FIG. 5

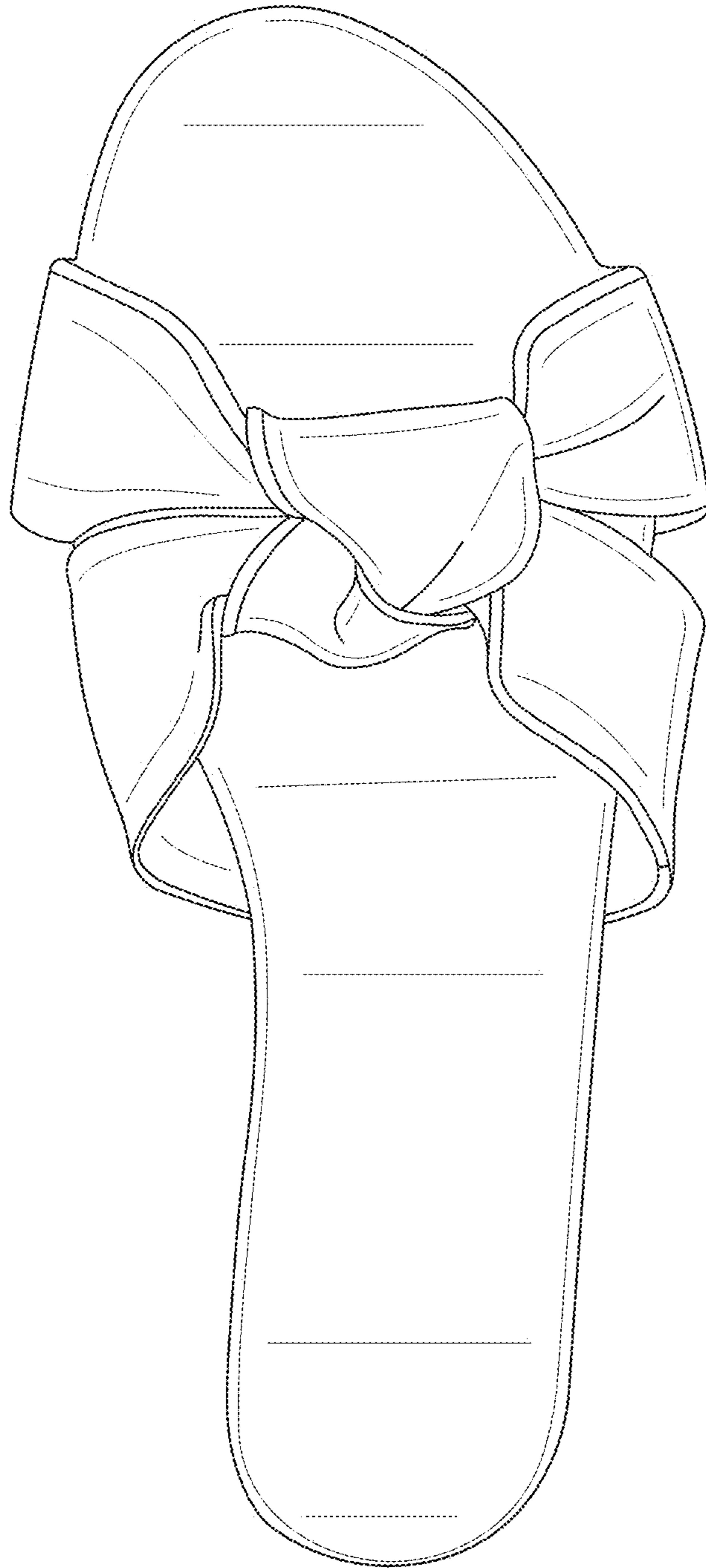


FIG. 6

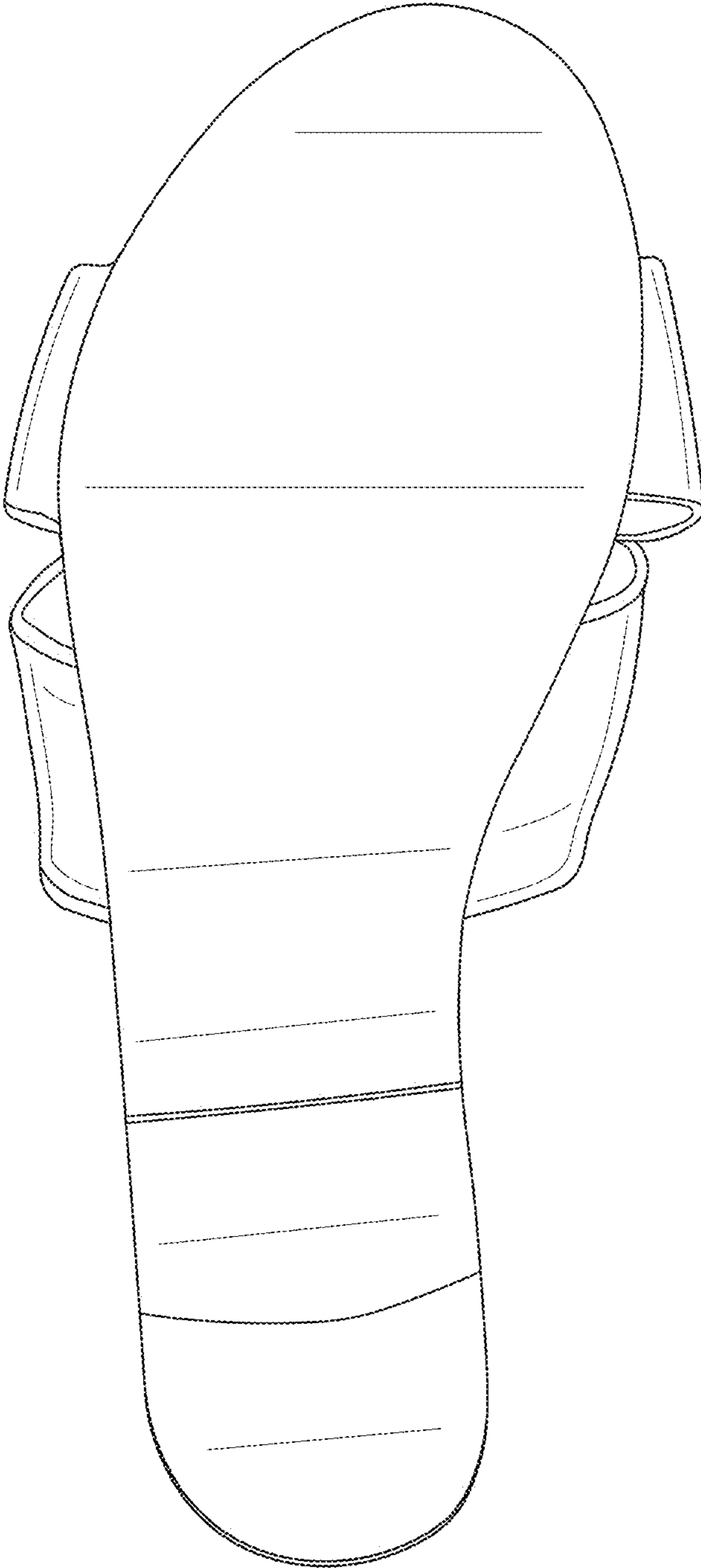


FIG. 7

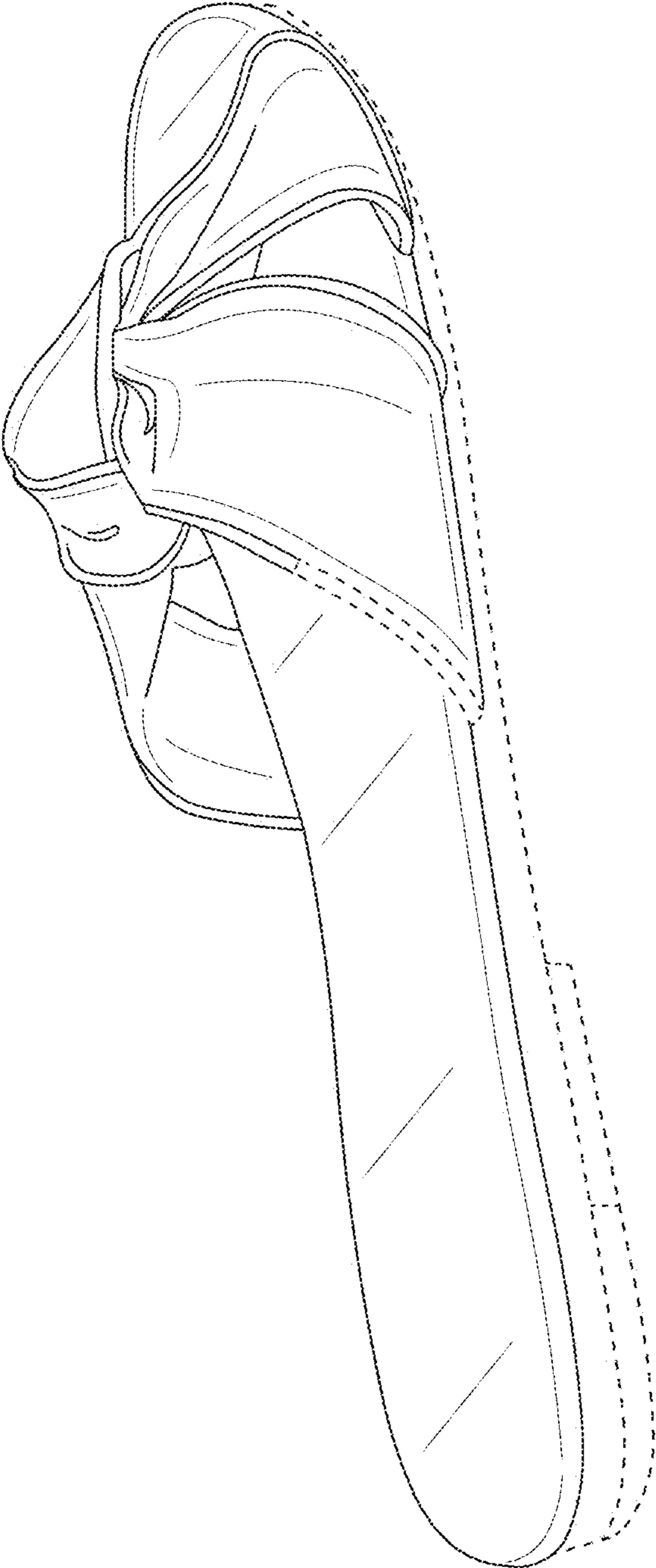


FIG. 8

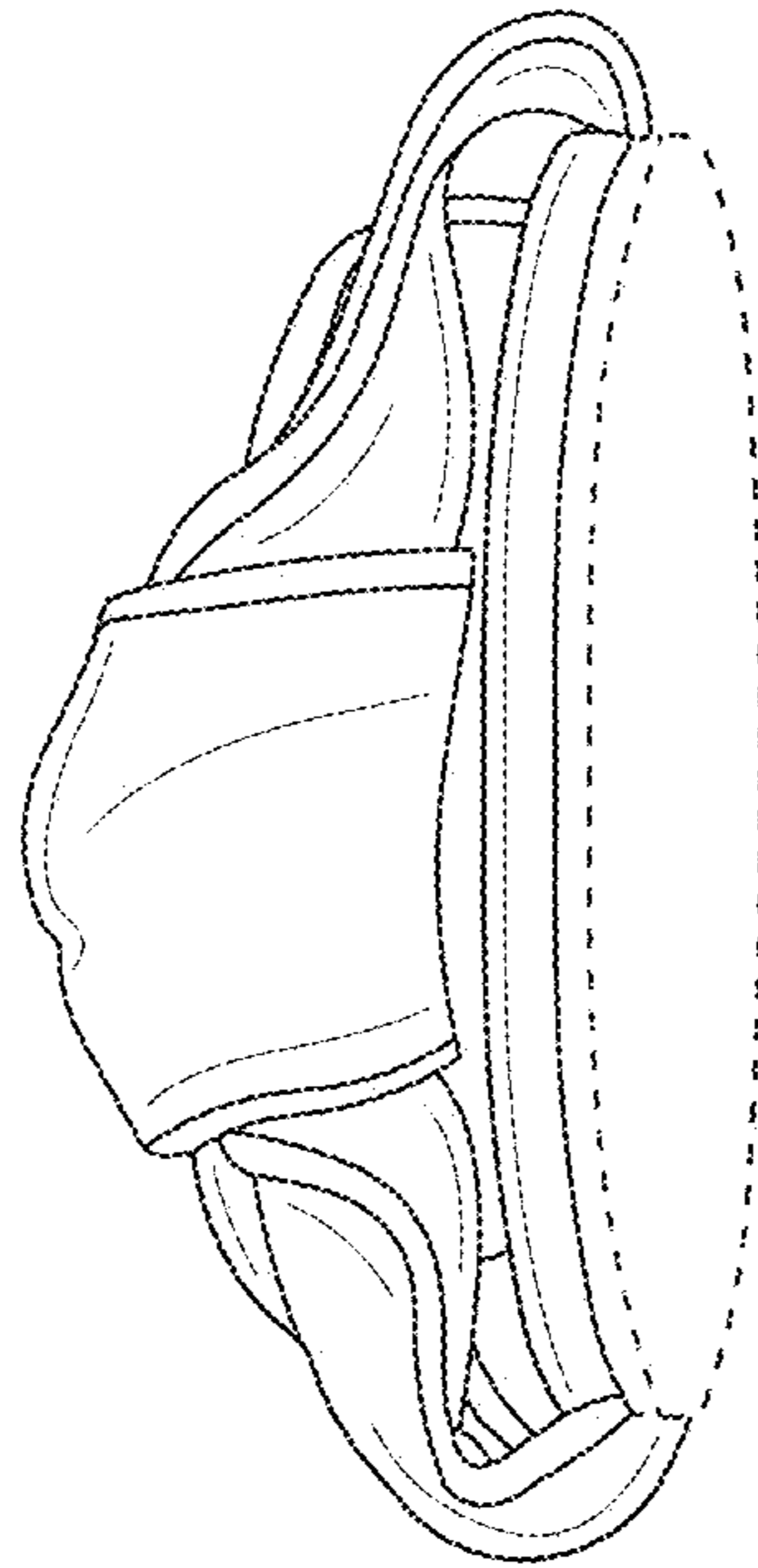


FIG. 9

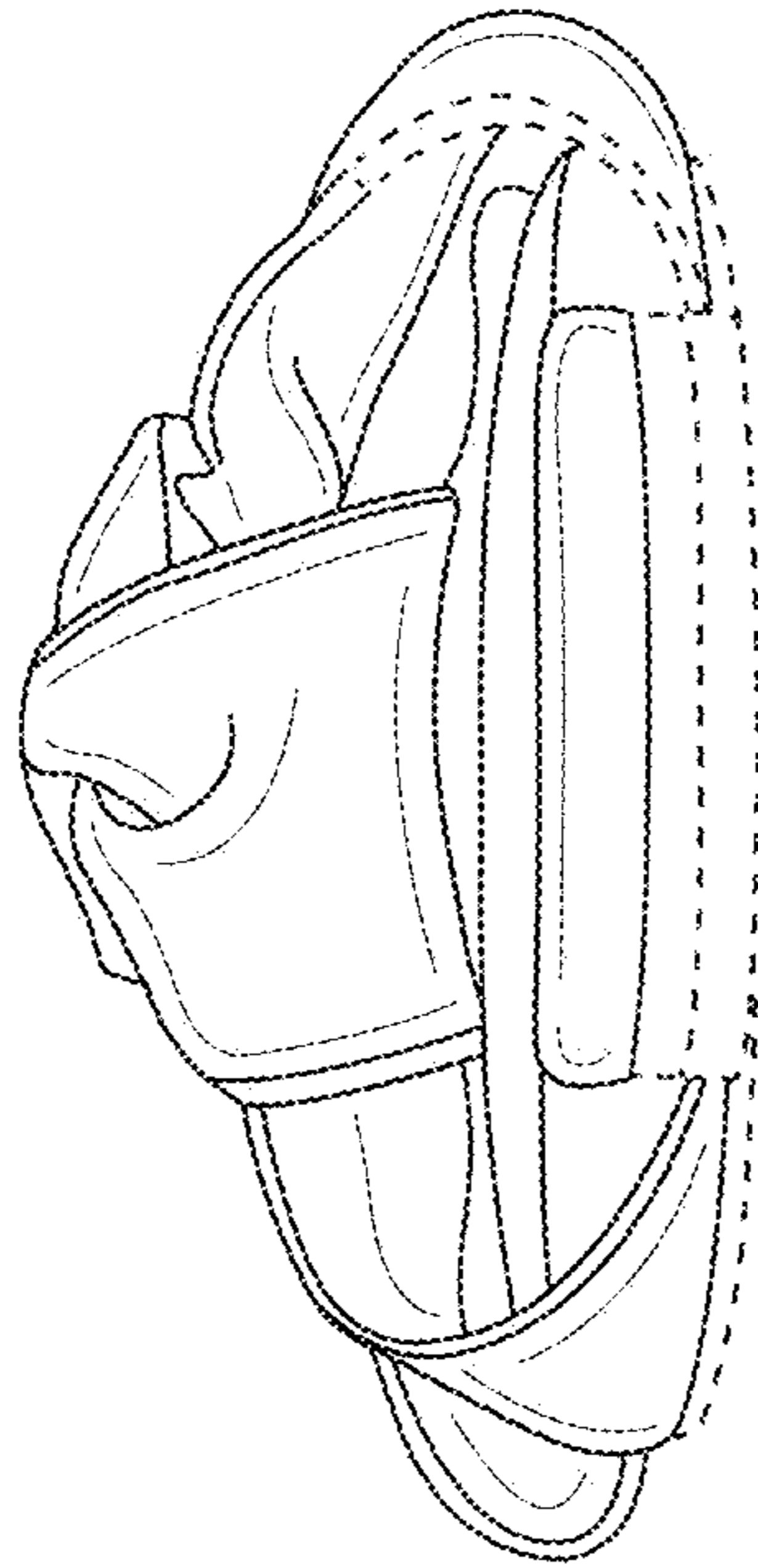


FIG. 10

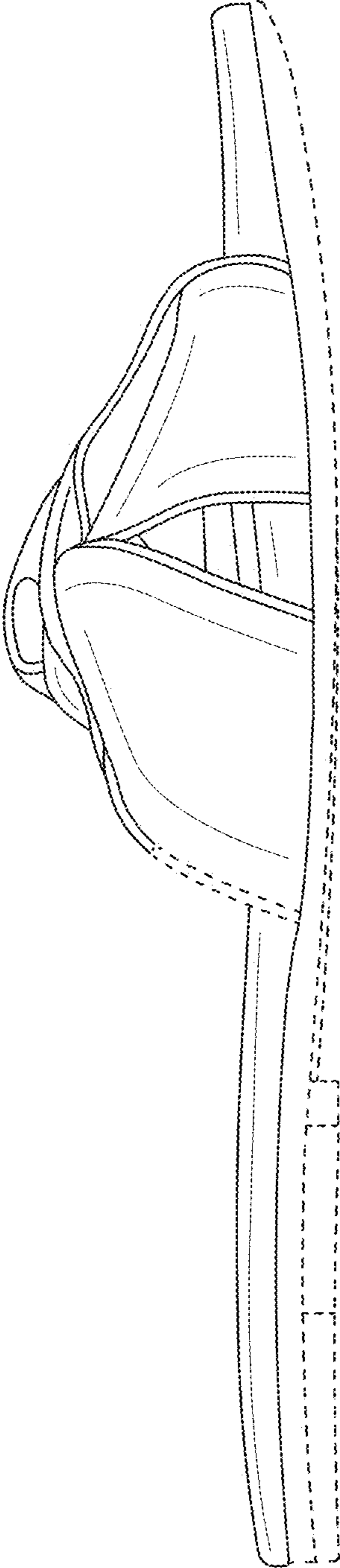


FIG. 11

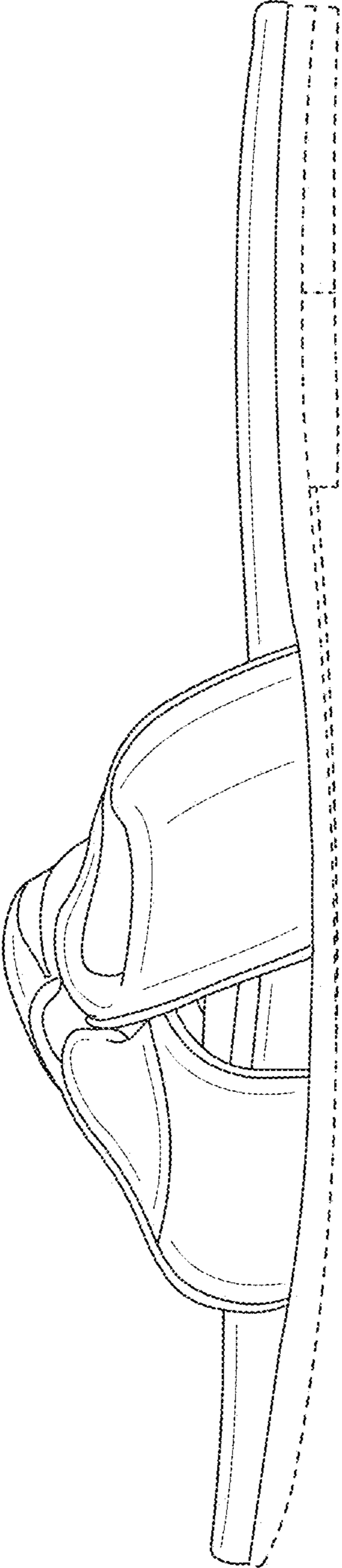


FIG. 12

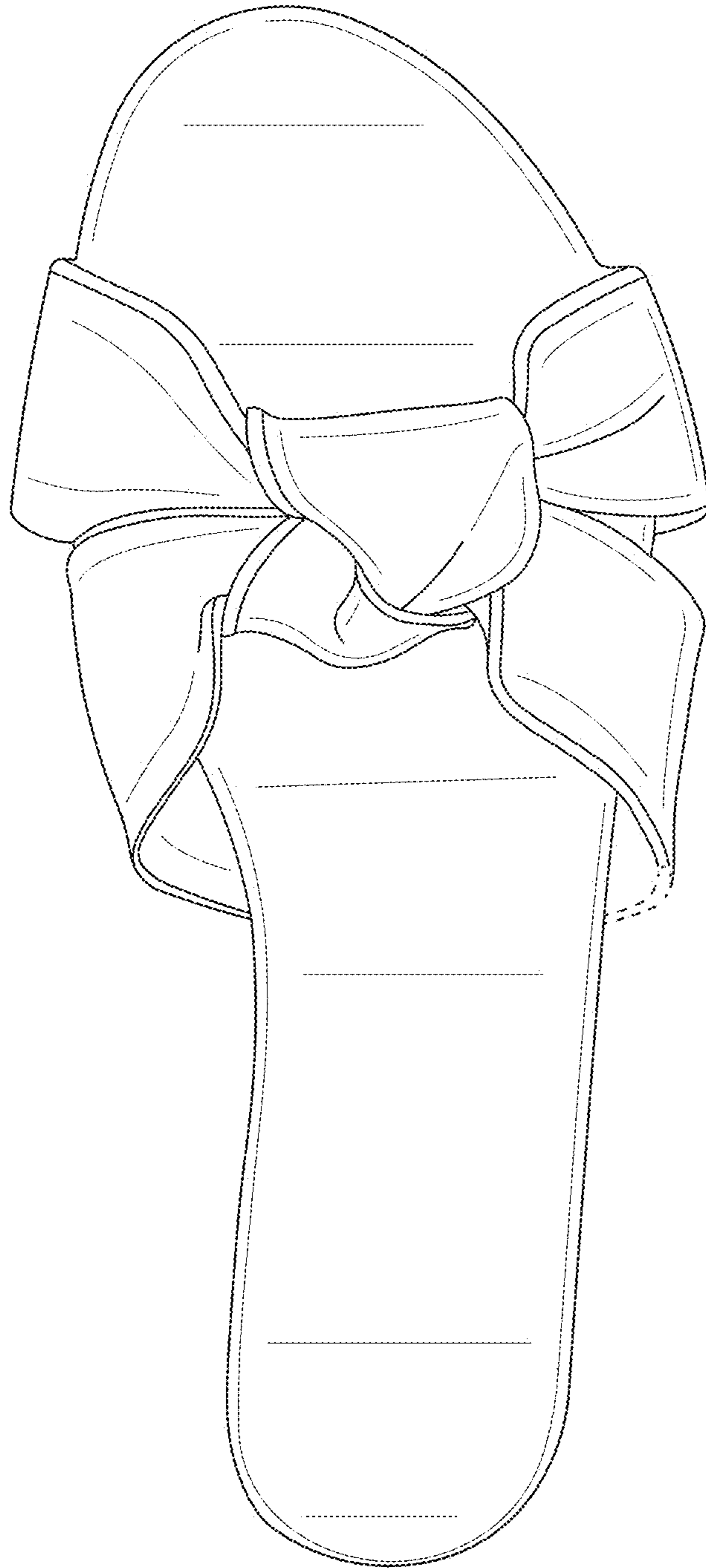


FIG. 13

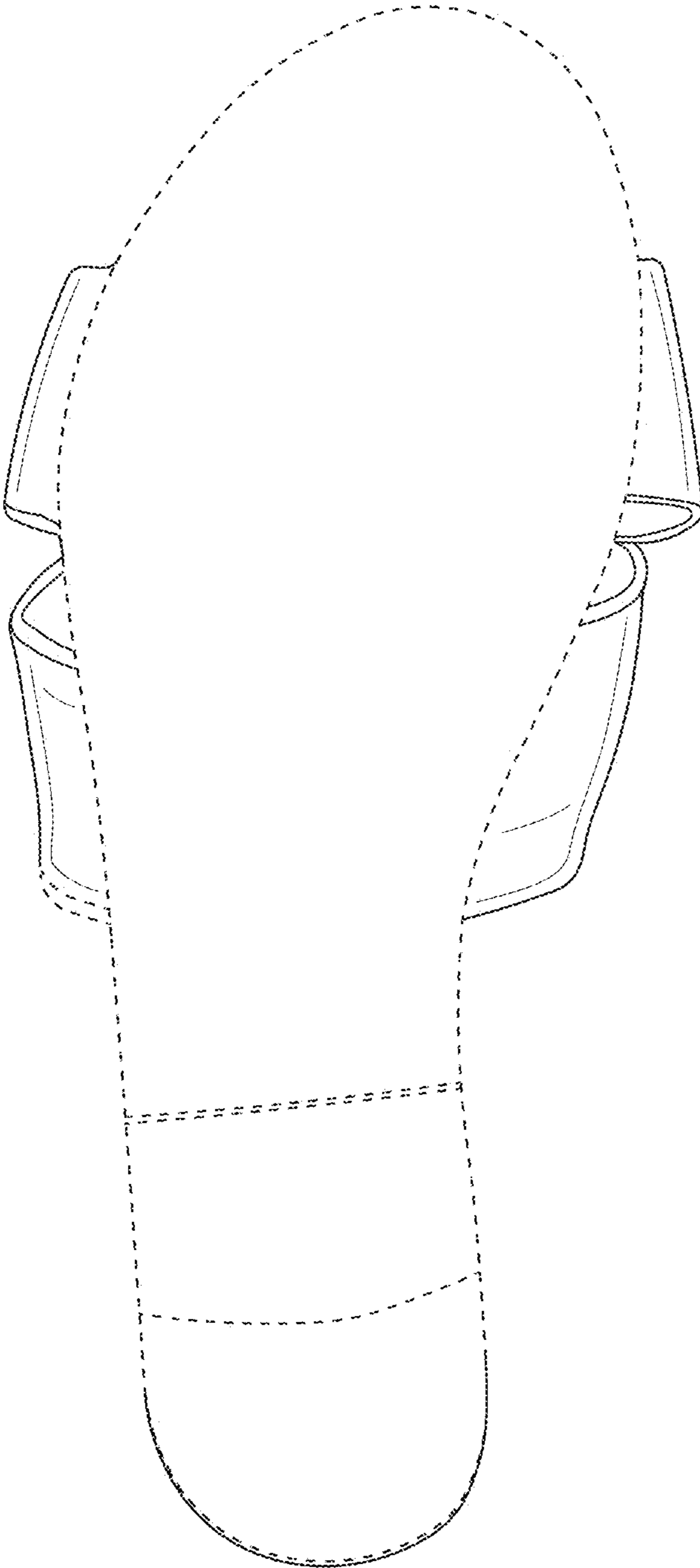


FIG. 14