



US00D951603S

(12) **United States Design Patent**
Martin et al.

(10) **Patent No.:** **US D951,603 S**

(45) **Date of Patent:** **** May 17, 2022**

(54) **SANDAL**

(71) Applicant: **ROTHY'S, INC.**, San Francisco, CA (US)

(72) Inventors: **William Roth Martin**, San Francisco, CA (US); **La Vion Gibson**, San Francisco, CA (US)

(73) Assignee: **ROTHY'S, INC.**, San Francisco, CA (US)

(**) Term: **15 Years**

(21) Appl. No.: **29/731,048**

(22) Filed: **Apr. 10, 2020**

(51) **LOC (13) Cl.** **02-04**

(52) **U.S. Cl.**
USPC **D2/916**

(58) **Field of Classification Search**
USPC D2/896-900, 916-926, 946, 969
CPC A43B 3/12; A43B 1/10; A43B 3/10; A43B 3/102-106
See application file for complete search history.

(56) **References Cited**

U.S. PATENT DOCUMENTS

3,076,984	A *	2/1963	Walters	A47F 7/08 12/1 R
D481,861	S *	11/2003	Robbins	D2/916
7,272,899	B1 *	9/2007	Marak	A43B 3/122 36/101
D563,088	S *	3/2008	Belley	D2/916
D575,942	S *	9/2008	del Biondi	D2/916
D732,806	S *	6/2015	Maritan	D2/916
D739,648	S *	9/2015	Engerman	D2/932
D747,080	S *	1/2016	Santos	D2/926

D761,003	S *	7/2016	Spring	D2/916
D781,540	S *	3/2017	Mitchell	D2/916
2005/0016017	A1 *	1/2005	McClaskie	A43B 3/103 36/7.5

* cited by examiner

Primary Examiner — Rashida C. Walshon

(74) *Attorney, Agent, or Firm* — ArentFox Schiff LLP

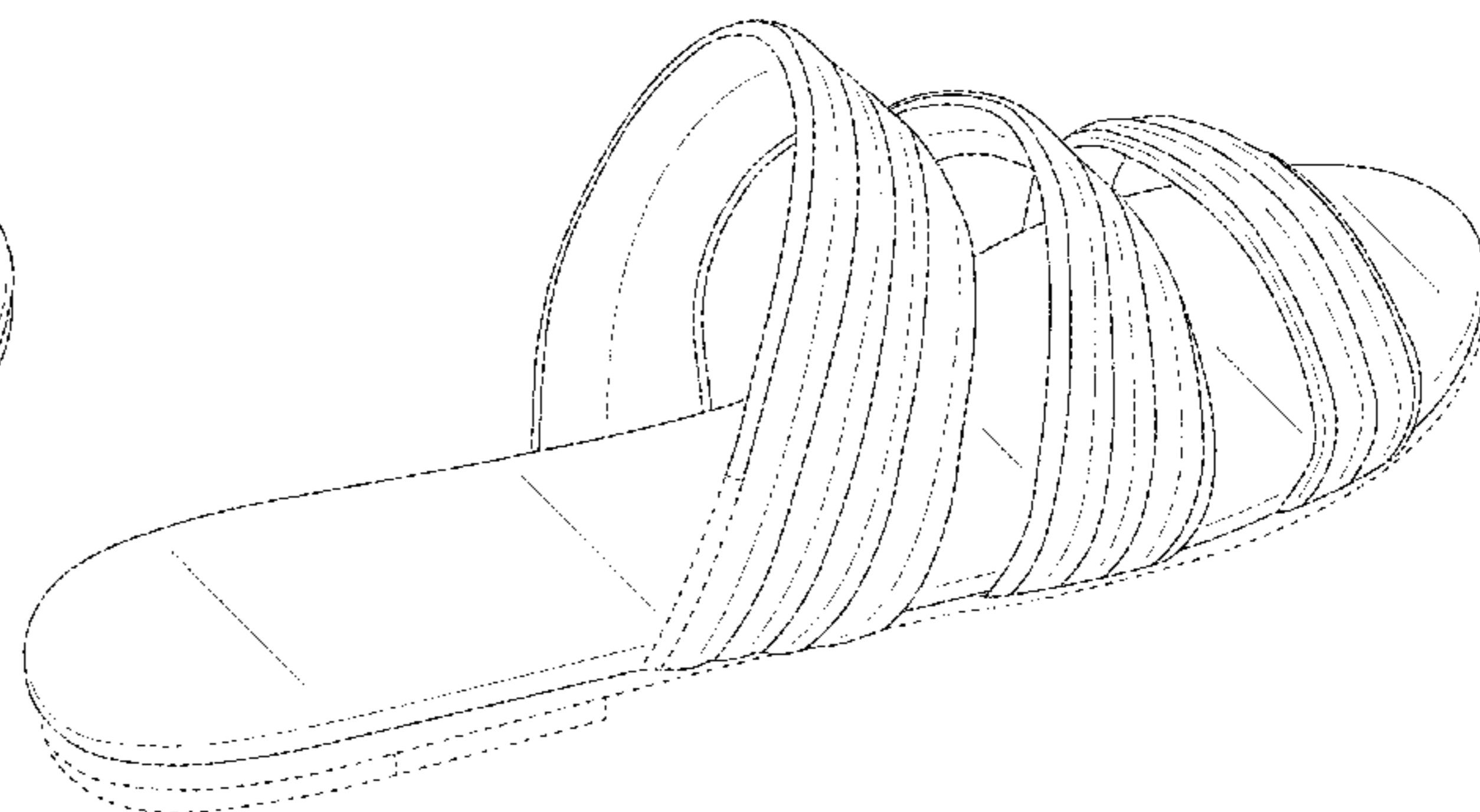
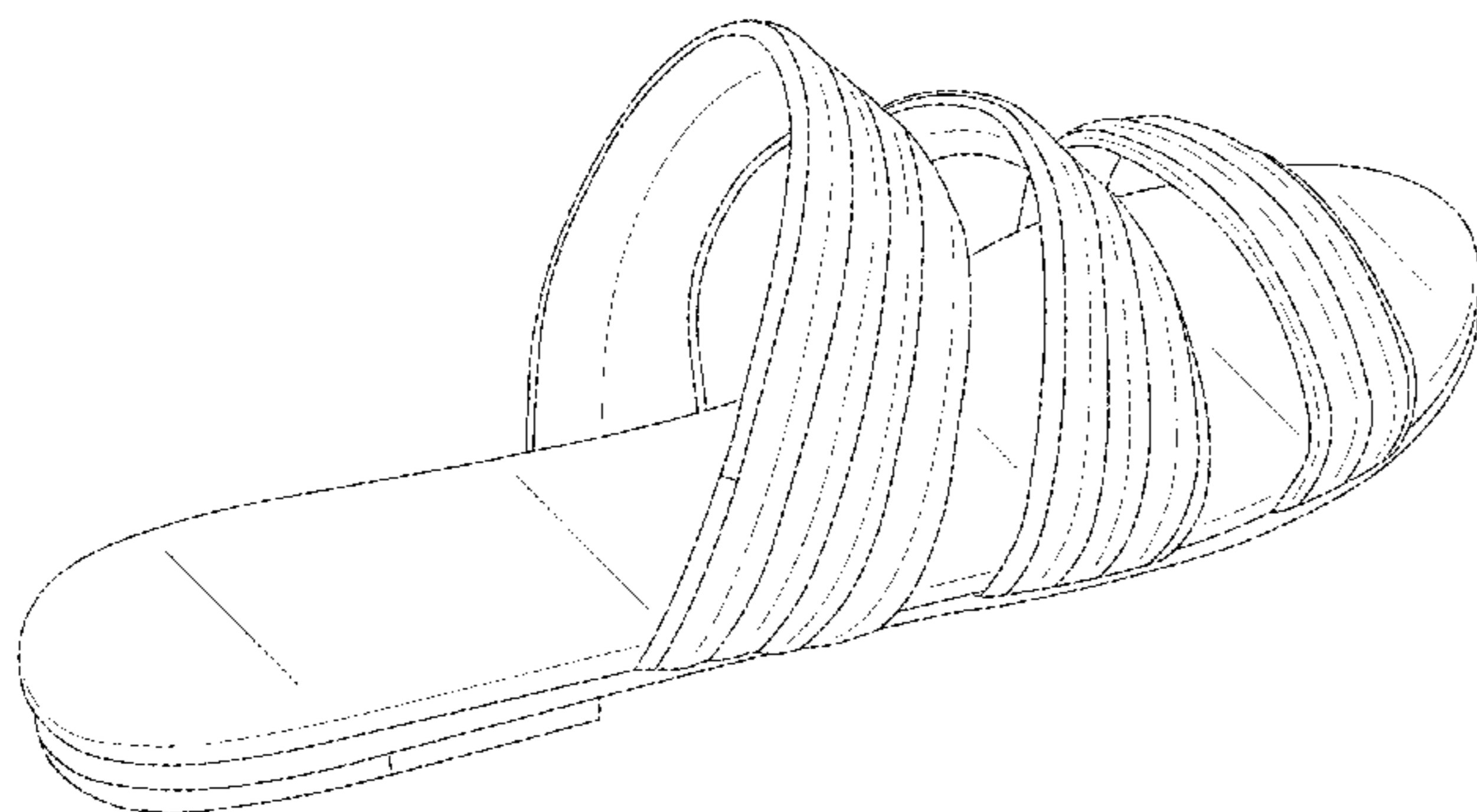
(57) **CLAIM**

The ornamental design for a sandal, as shown and described.

DESCRIPTION

FIG. 1 is a front right perspective view of a first embodiment of a sandal showing our new design;
 FIG. 2 is front view of the design shown in FIG. 1;
 FIG. 3 is a rear view of the design shown in FIG. 1;
 FIG. 4 is a right side view of the design shown in FIG. 1;
 FIG. 5 is a left side view of the design shown in FIG. 1;
 FIG. 6 is a top view of the design shown in FIG. 1;
 FIG. 7 is a bottom view of the design shown in FIG. 1;
 FIG. 8 is front right perspective view of a second embodiment of a shoe showing our new design;
 FIG. 9 is front view of the design shown in FIG. 8;
 FIG. 10 is a rear view of the design shown in FIG. 8;
 FIG. 11 is a right side view of the design shown in FIG. 8;
 FIG. 12 is a left side view of the design shown in FIG. 8;
 FIG. 13 is a top view of the design shown in FIG. 8; and,
 FIG. 14 is a bottom view of the design shown in FIG. 8.
 The figures include broken and solid. The areas within the solid lines form the claimed design. The broken lines shown in the figures are included for the purpose of illustrating environmental structure of the sandal and form no part of the claimed design.

1 Claim, 14 Drawing Sheets



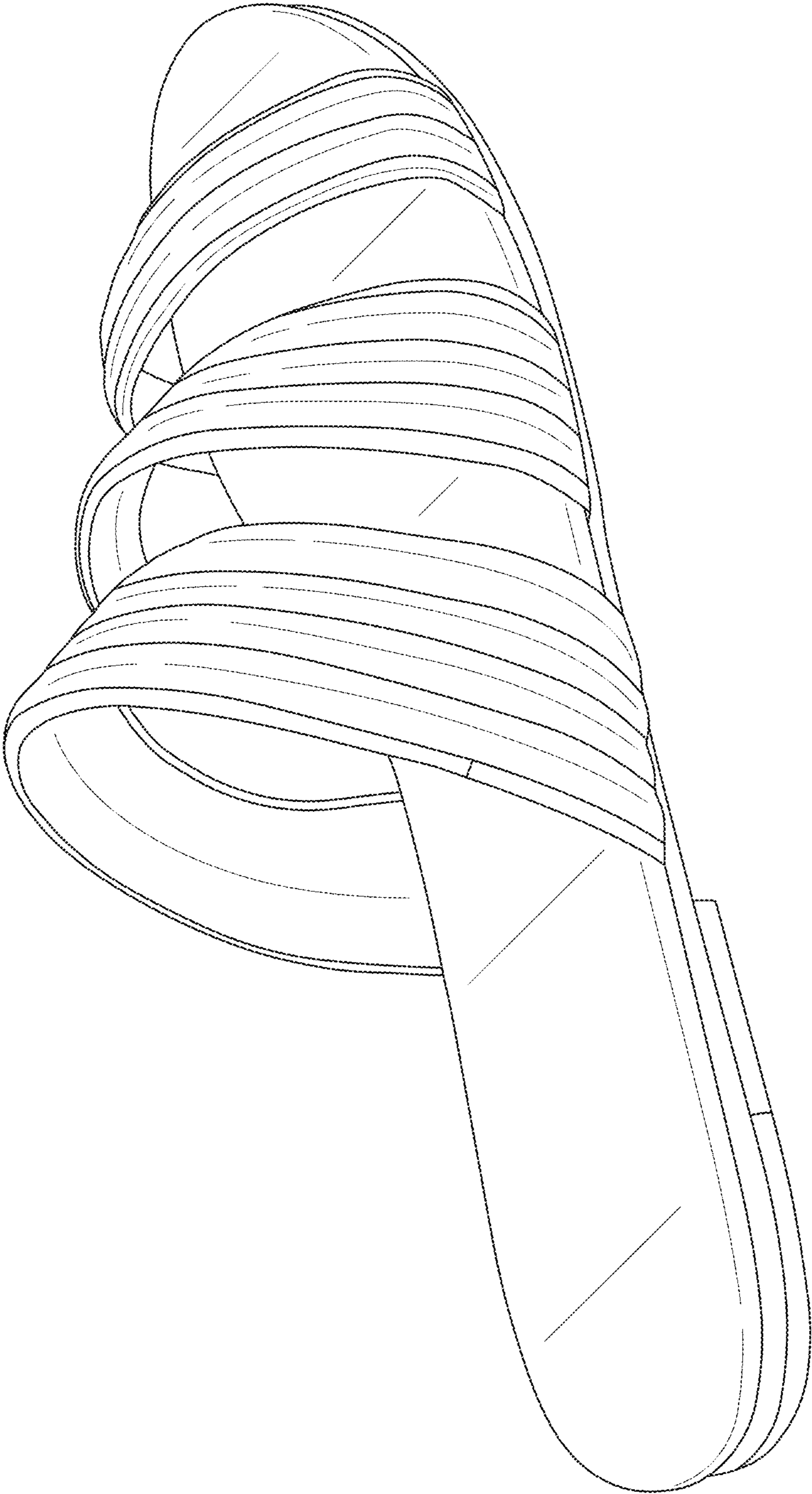


FIG. 1

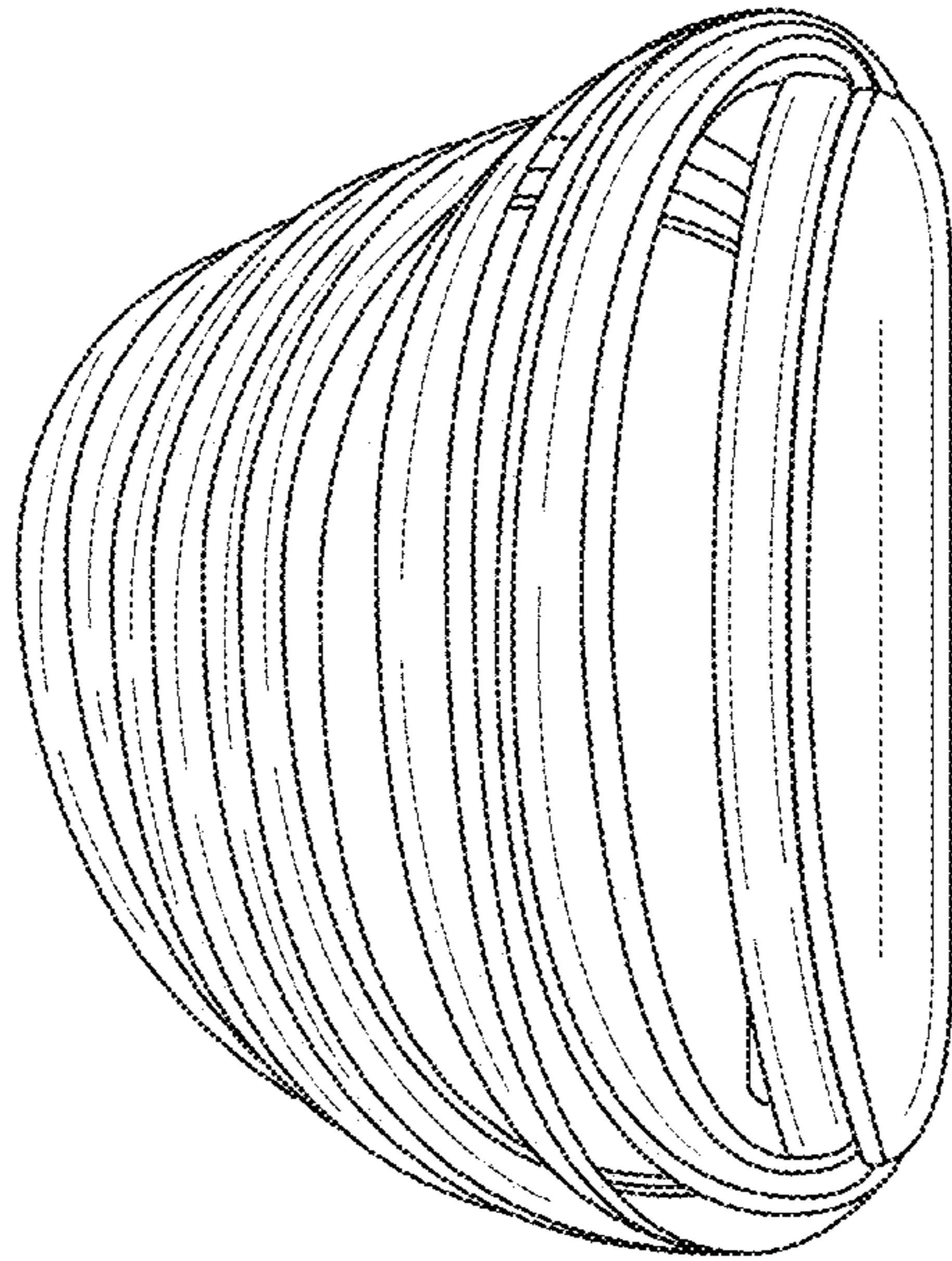


FIG. 2

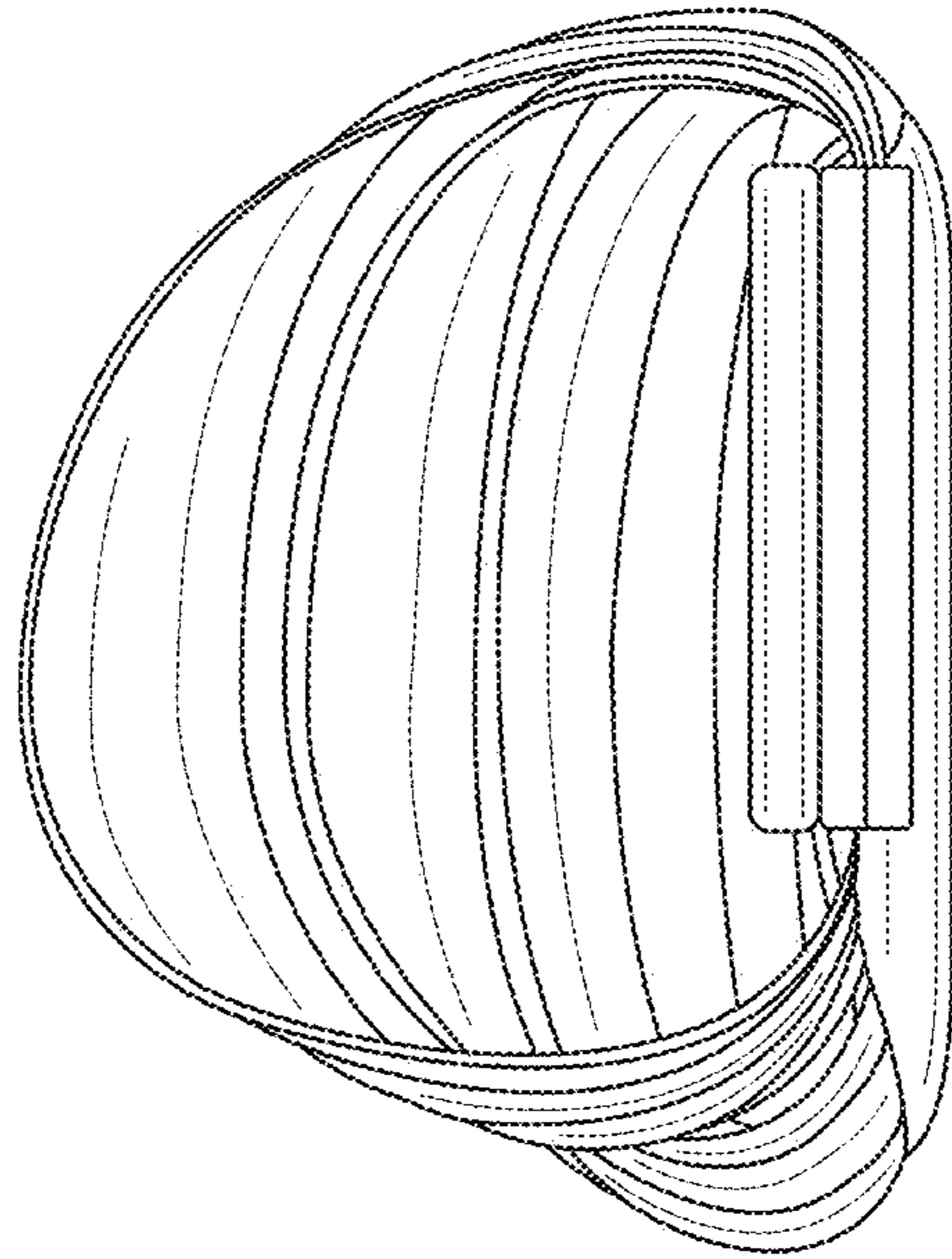


FIG. 3

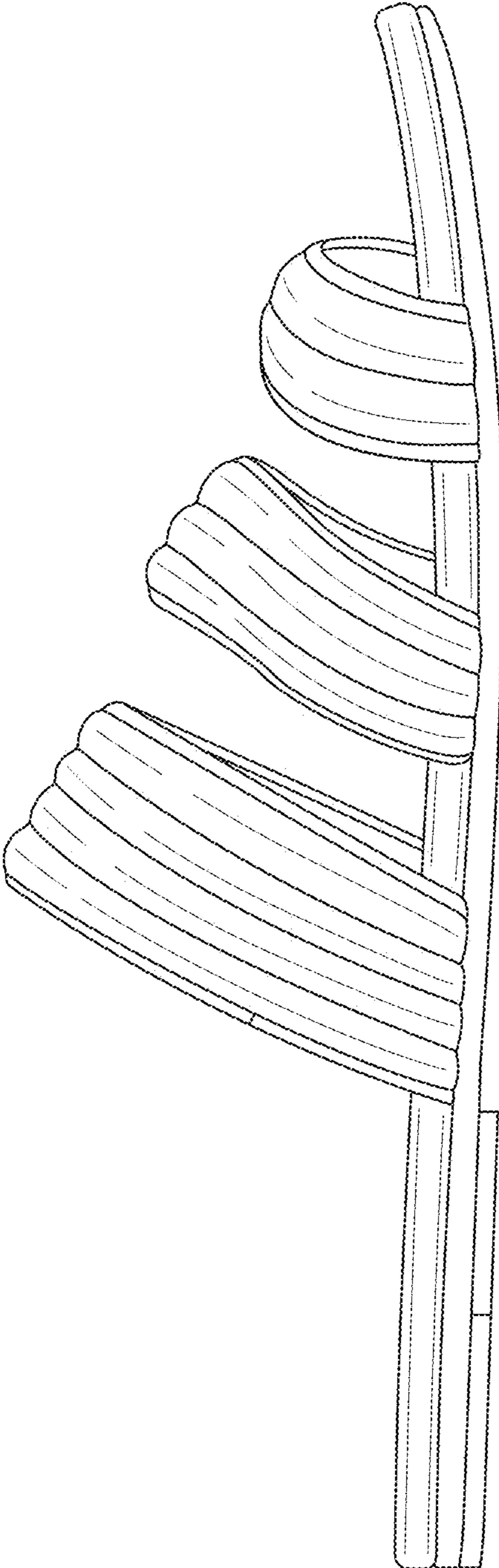


FIG. 4

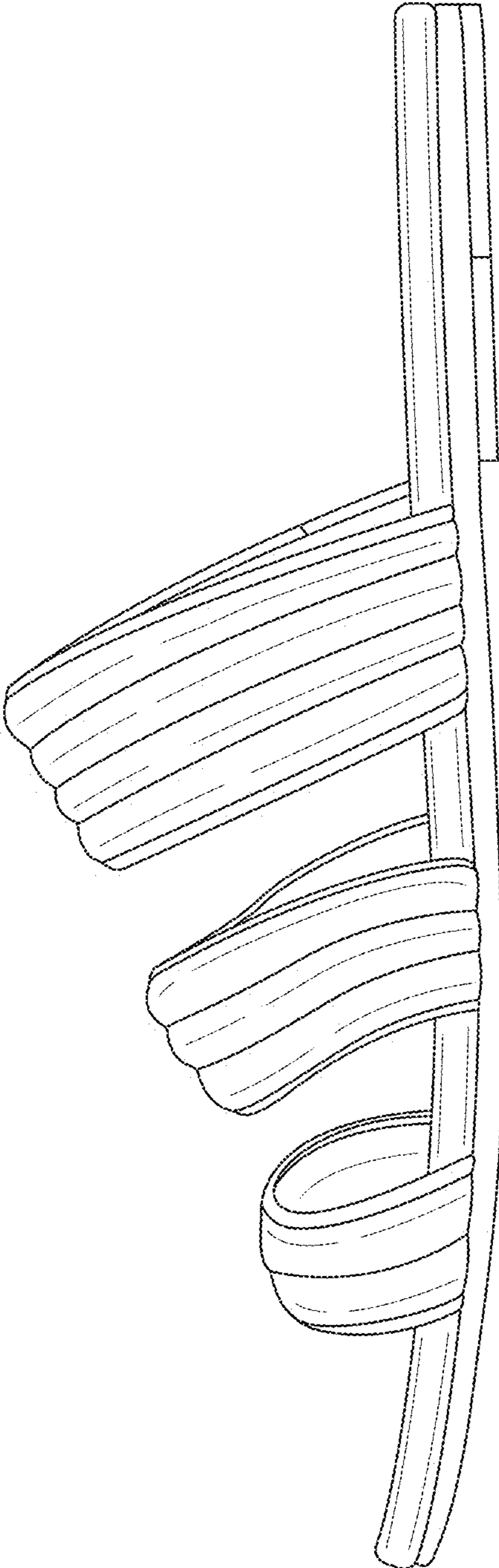


FIG. 5

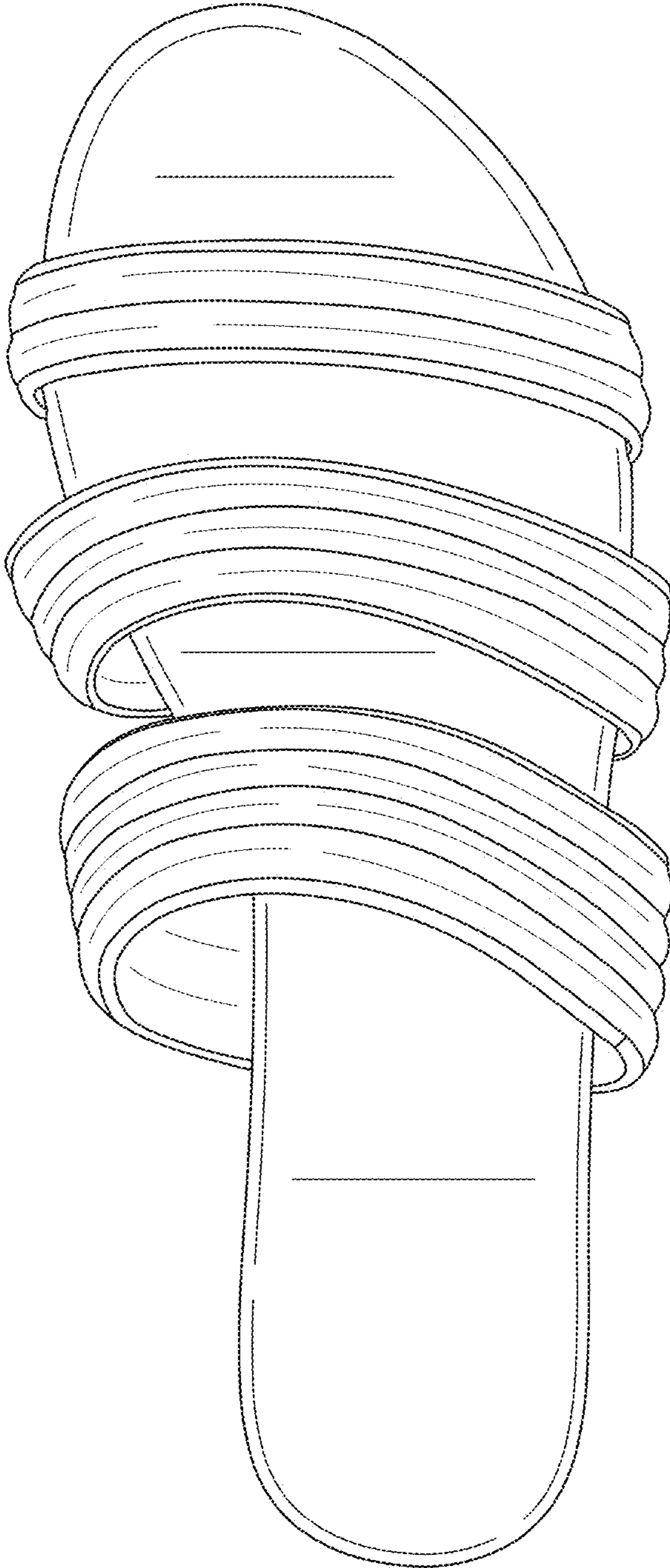


FIG. 6

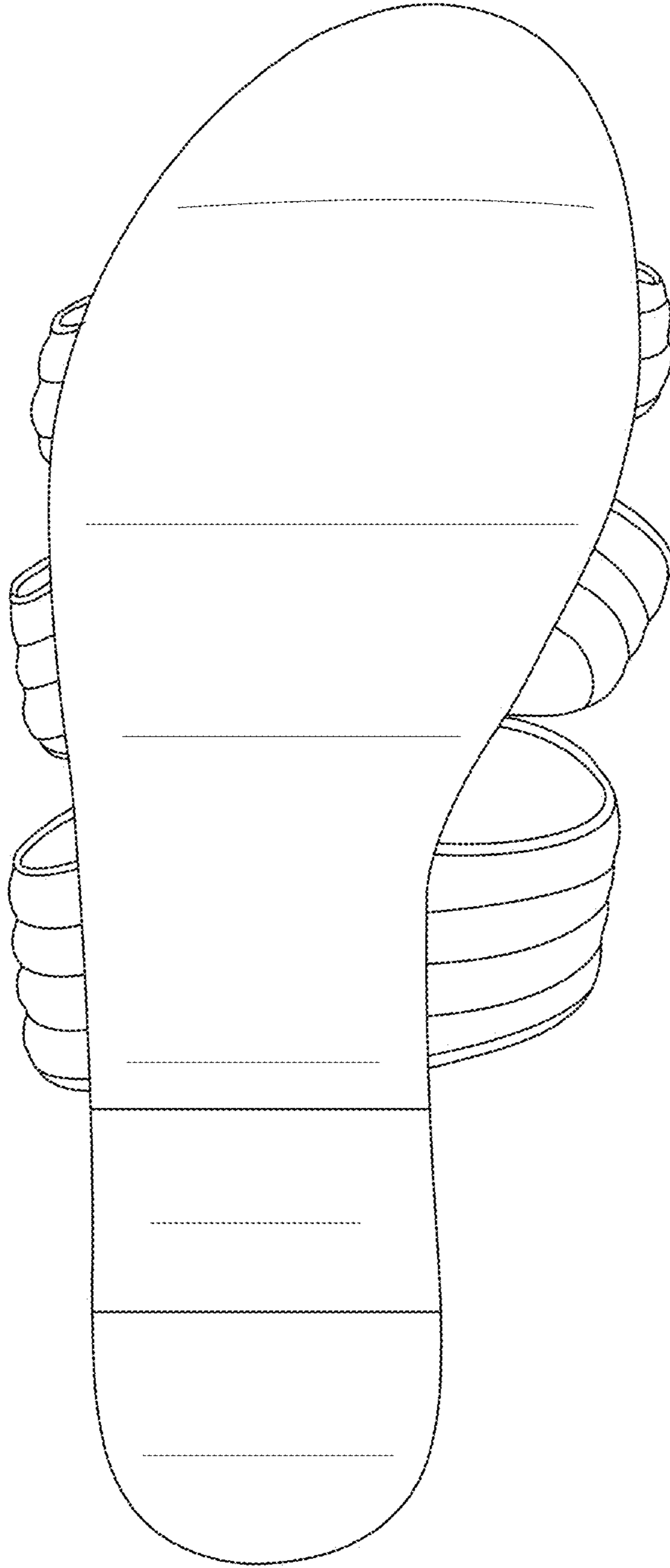


FIG. 7

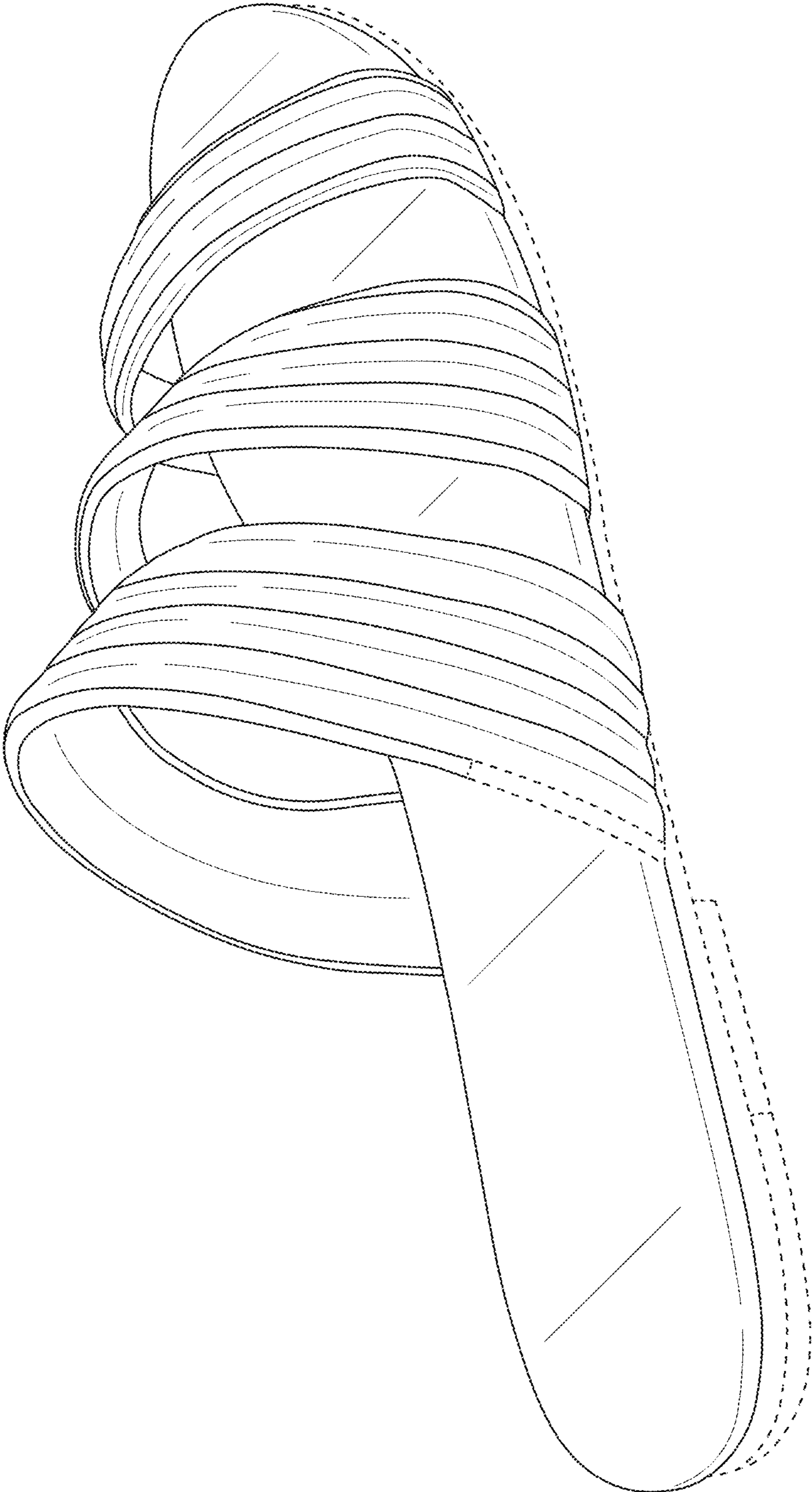


FIG. 8

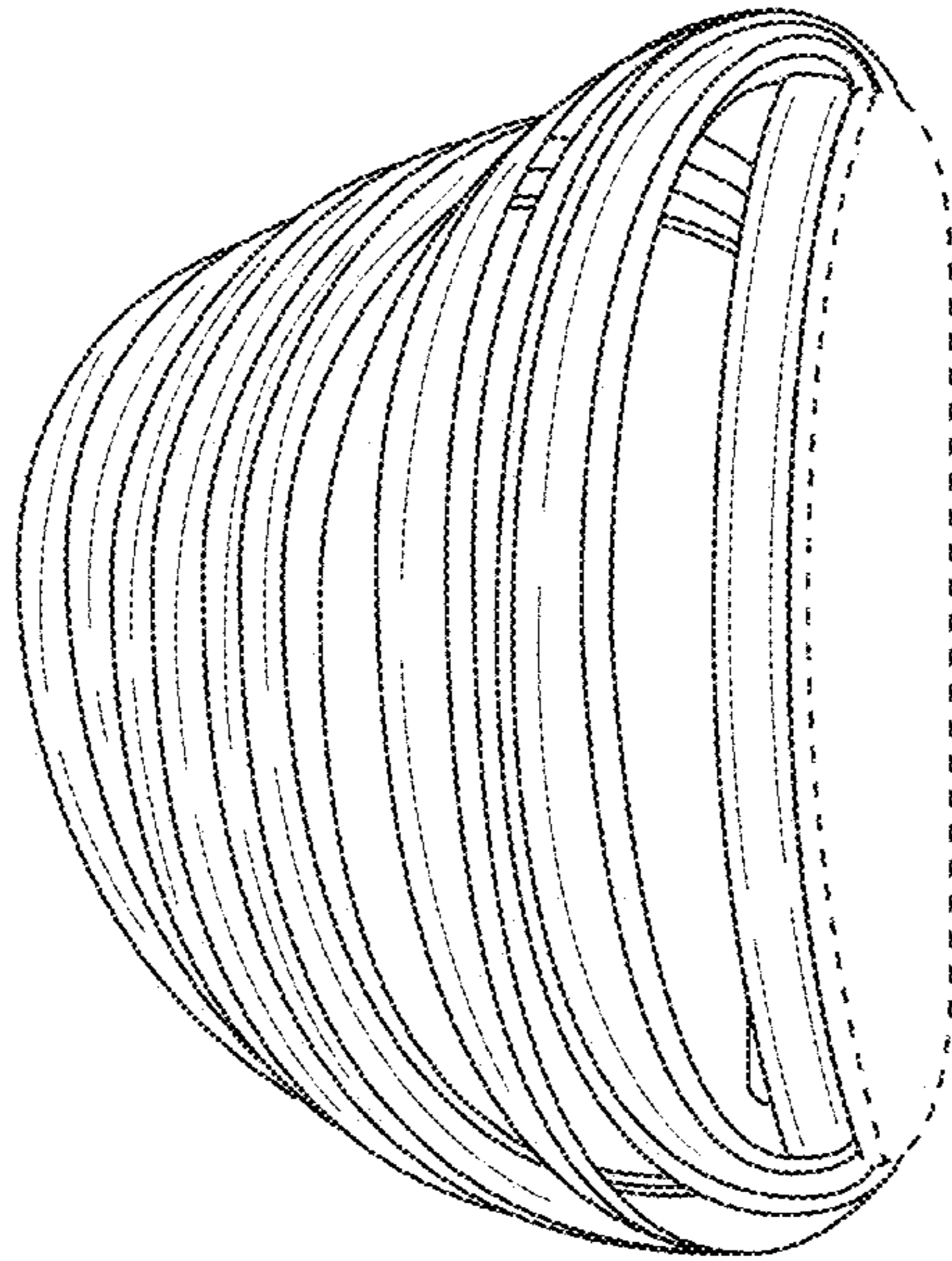


FIG. 9

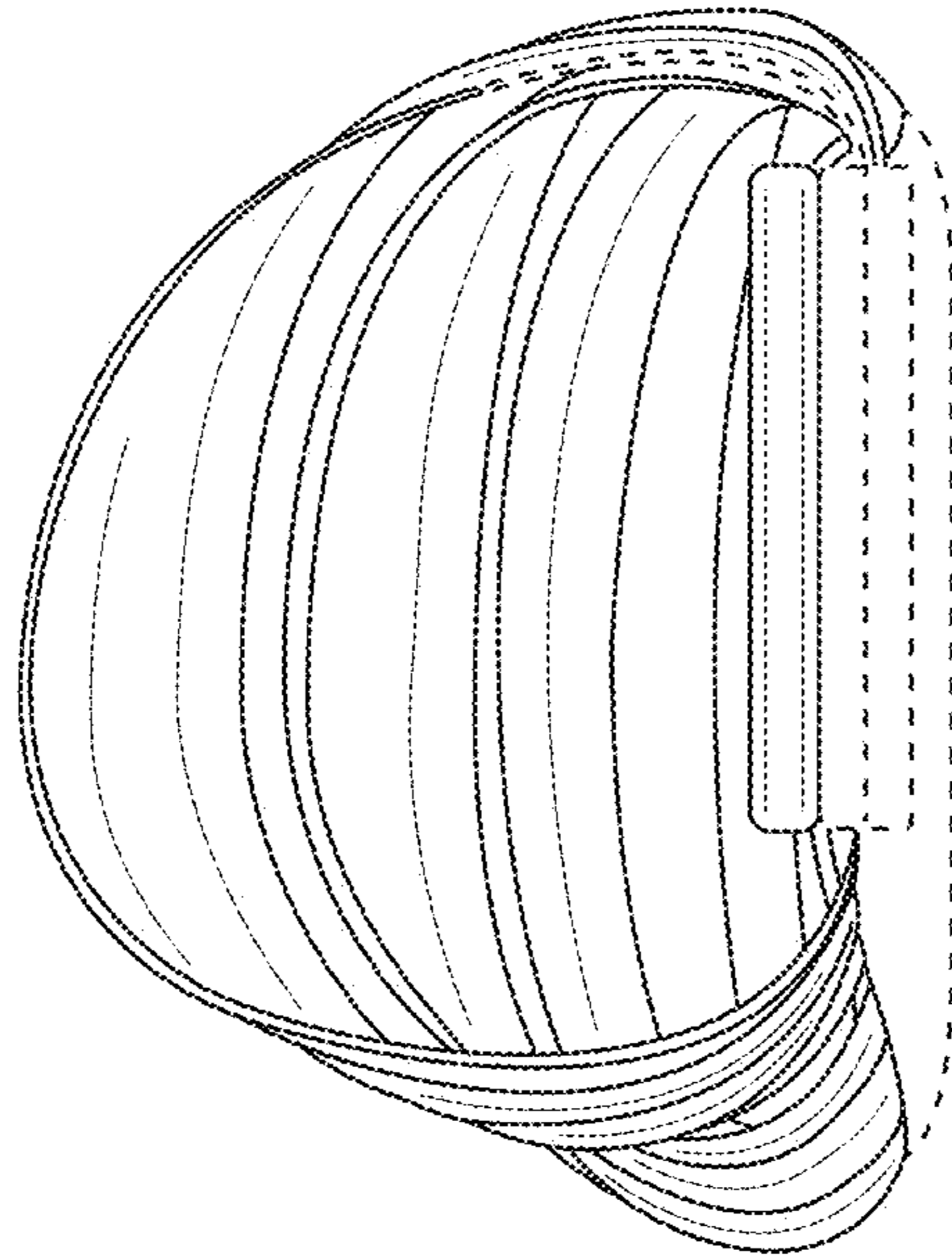


FIG. 10

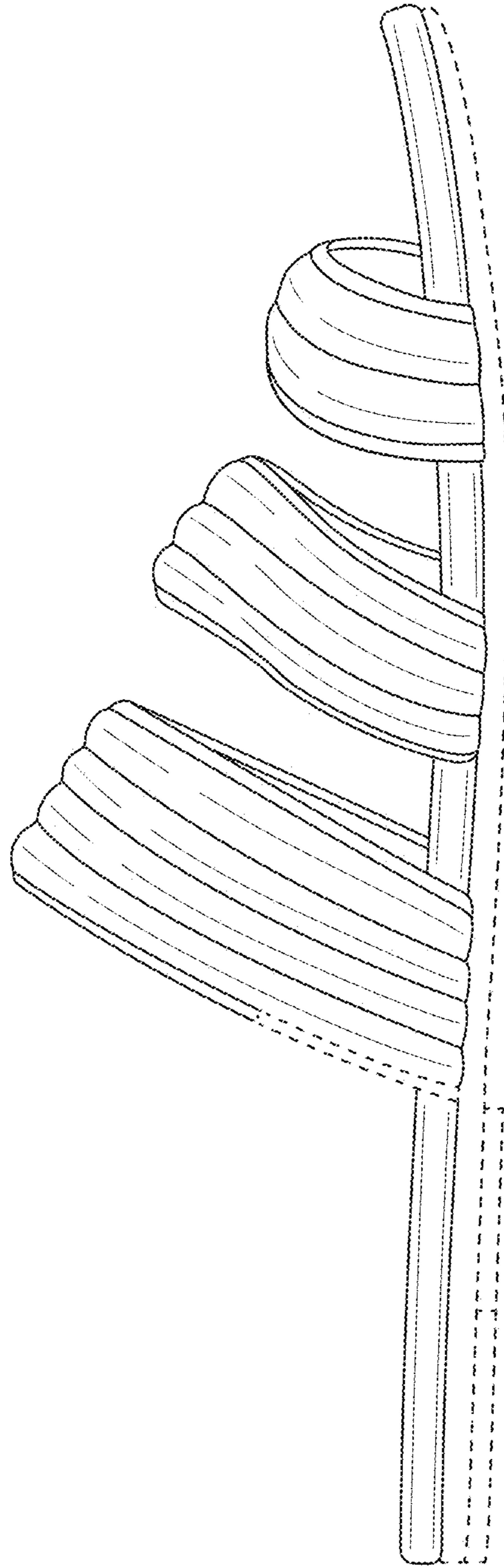


FIG. 11

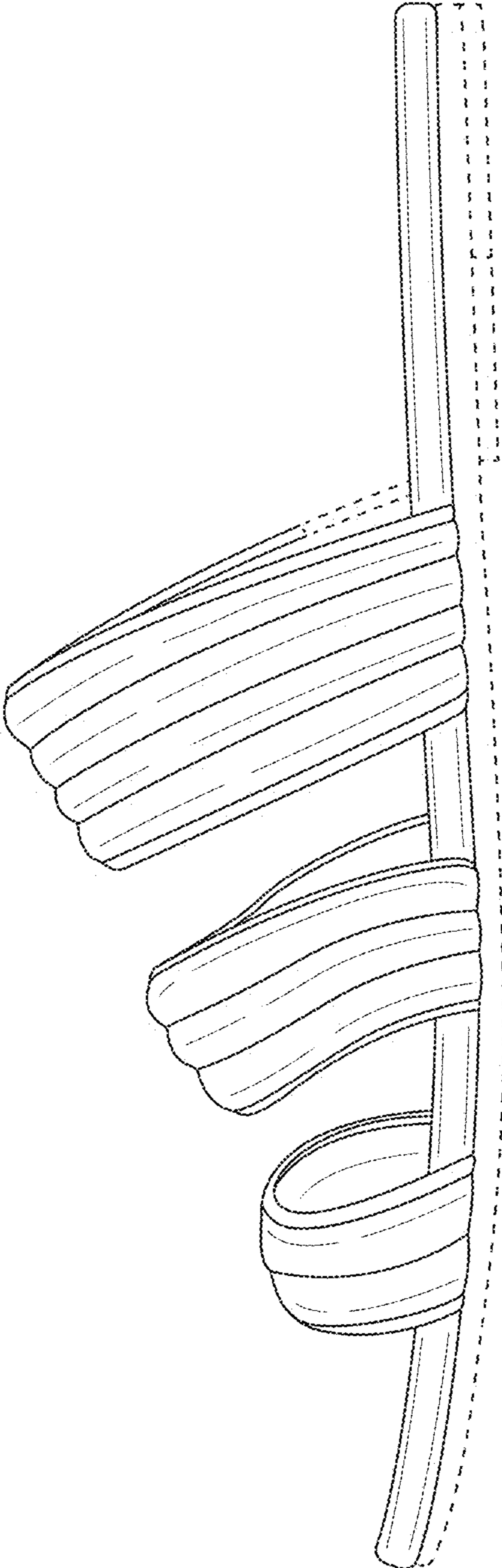


FIG. 12

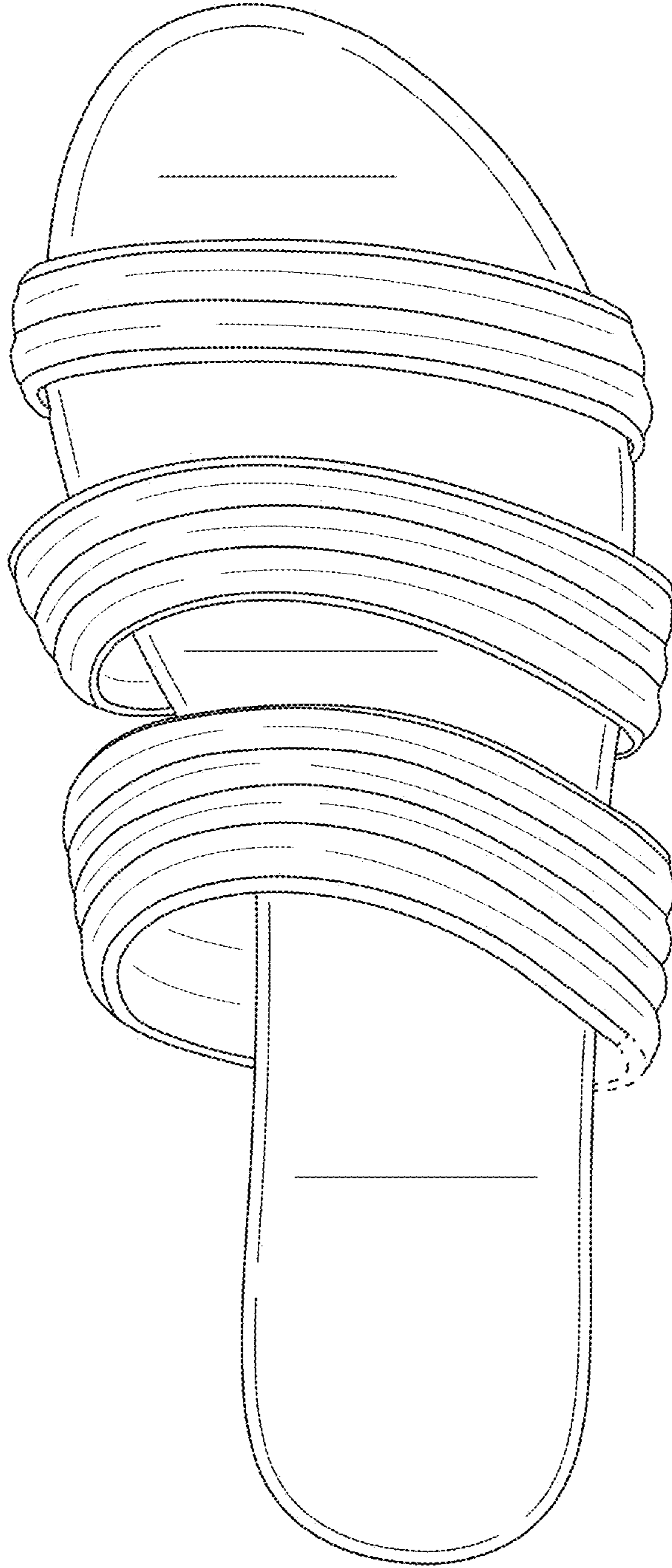


FIG. 13

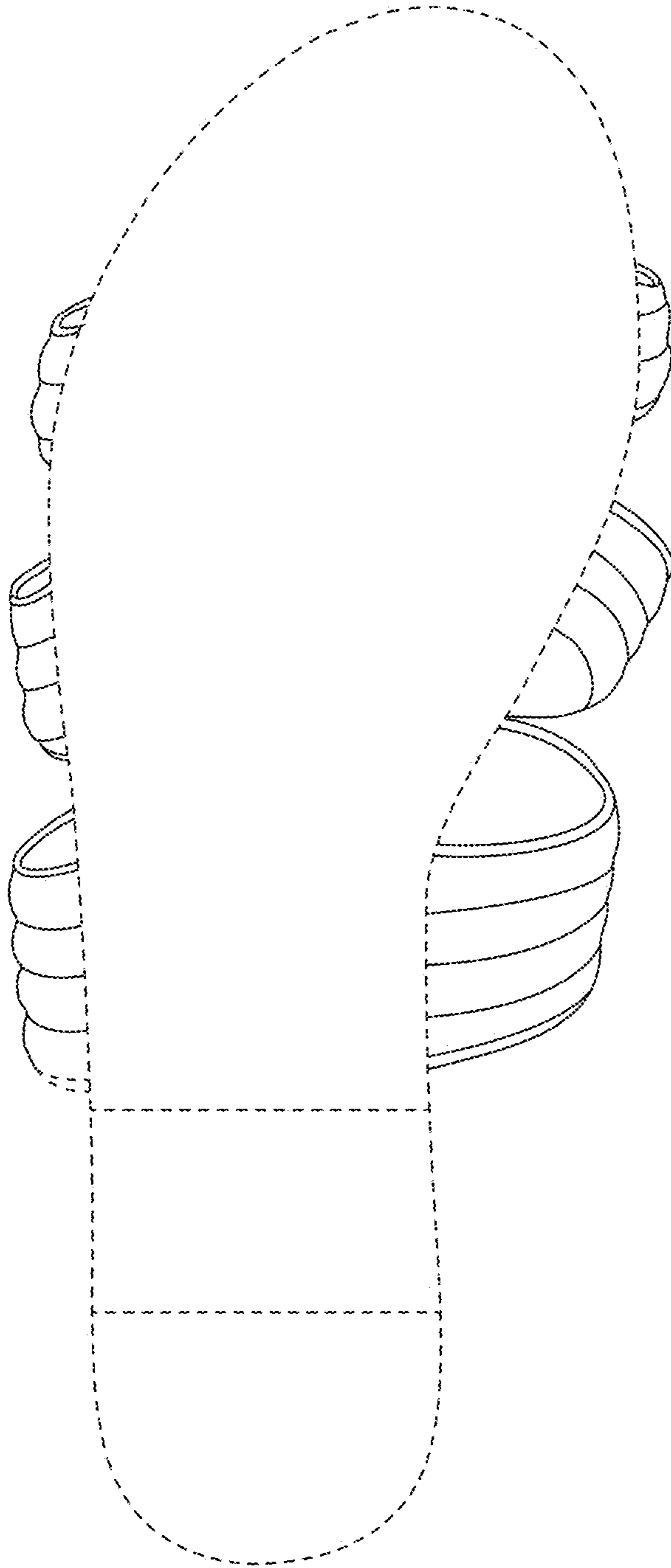


FIG. 14