



US00D951597S

(12) **United States Design Patent**
Hamilton, Sr.

(10) **Patent No.:** **US D951,597 S**

(45) **Date of Patent:** **** *May 17, 2022**

(54) **HAT BILL**

(71) Applicant: **Robert Lawrence Hamilton, Sr.**, San Jacinto, CA (US)

(72) Inventor: **Robert Lawrence Hamilton, Sr.**, San Jacinto, CA (US)

(73) Assignee: **Robert Lawrence Hamilton, Sr.**, Hemet, CA (US)

(*) Notice: This patent is subject to a terminal disclaimer.

(**) Term: **15 Years**

(21) Appl. No.: **29/651,056**

(22) Filed: **Nov. 20, 2017**

(51) **LOC (13) Cl.** **02-03**

(52) **U.S. Cl.**
USPC **D2/893**

(58) **Field of Classification Search**
USPC D2/865, 866, 869, 872, 873, 876, 879, D2/882, 886, 891, 892, 893; D16/310, D16/311, 337, 340; D29/109, 122
CPC A42B 1/00; A42B 1/063; A42B 1/064; A42B 1/065; A42B 3/00; A42B 3/22; A42B 1/06; A42C 1/06; A61F 9/045
See application file for complete search history.

(56) **References Cited**

U.S. PATENT DOCUMENTS

- 4,247,957 A * 2/1981 Rogers A61F 9/045 2/12
- D262,220 S * 12/1981 Badger D16/340
- D282,308 S * 1/1986 Kain D2/866
- D285,981 S * 10/1986 Ekins D29/109
- D302,608 S * 8/1989 LaPierre D29/109

- D306,222 S * 2/1990 Lee D2/876
- D396,945 S * 8/1998 Glass D2/865
- 5,884,334 A * 3/1999 Collette A42B 1/065 2/10
- 5,901,371 A * 5/1999 Lee A42B 1/22 2/10
- D518,626 S * 4/2006 Peterson D2/882
- D592,834 S * 5/2009 Keiser D2/884
- D636,563 S * 4/2011 Keiser D2/893
- D732,803 S * 6/2015 Popovich D2/893
- 9,078,483 B1 * 7/2015 Snyder A42B 1/064
- D764,149 S * 8/2016 Vazquez Hernandez D2/882
- D806,366 S * 1/2018 Hamilton D2/893
- D838,441 S * 1/2019 Romo D2/893
- 2005/0283879 A1 * 12/2005 Graves A61F 9/045 2/15
- 2006/0143793 A1 * 7/2006 Liao A42B 1/063 2/195.6
- 2013/0125292 A1 * 5/2013 Weaver A42B 1/006 2/209.13

* cited by examiner

Primary Examiner — Jasmine Mlinarcik

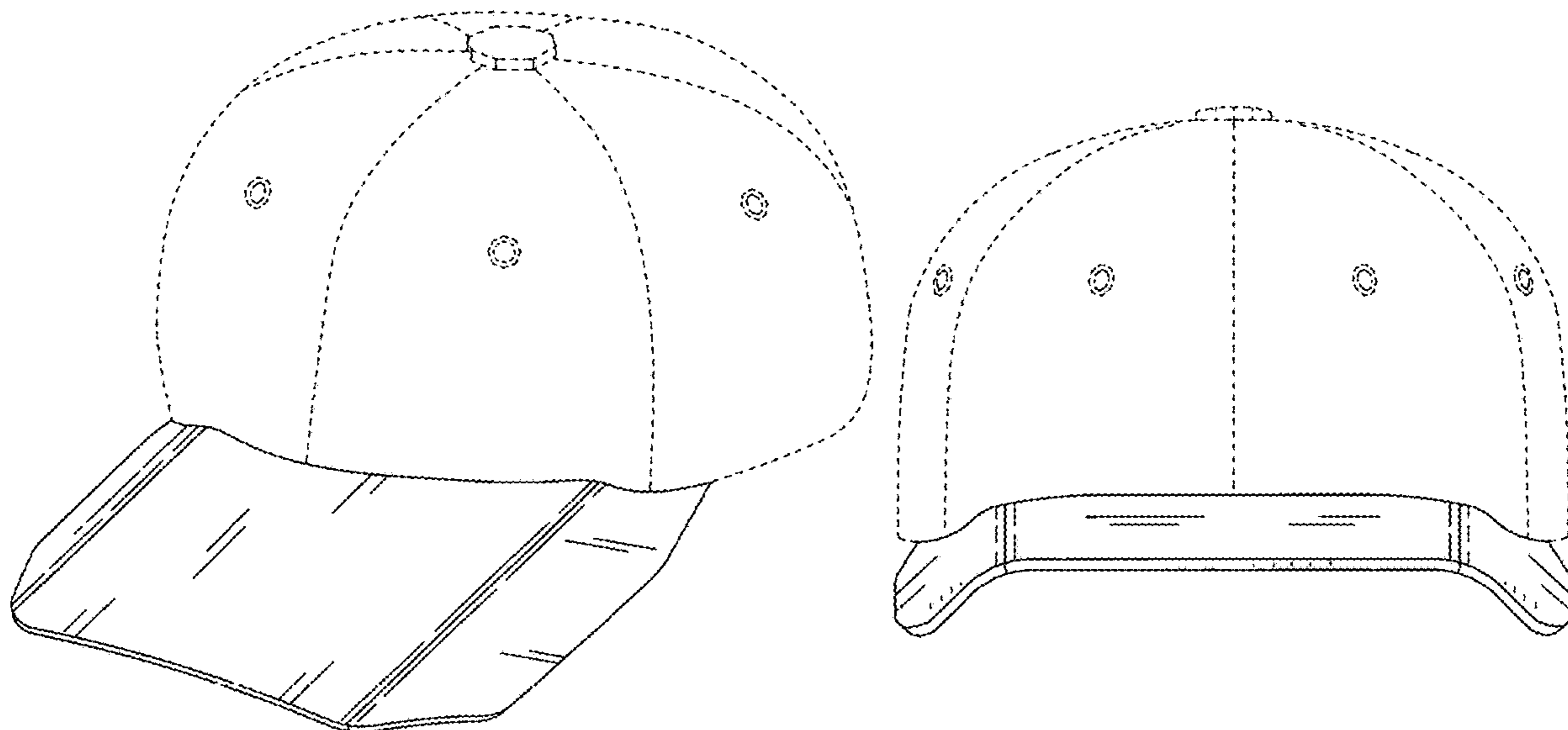
(57) **CLAIM**

The ornamental design for a hat bill, as shown and described.

DESCRIPTION

FIG. 1 is a front perspective view of a hat bill showing my new design;
 FIG. 2 is a top plan view thereof;
 FIG. 3 is a left side elevation view thereof;
 FIG. 4 is a right side elevation view thereof;
 FIG. 5 is a front elevation view thereof;
 FIG. 6 is a rear elevation view thereof; and,
 FIG. 7 is a bottom plan view thereof.
 The hat illustrated by broken lines depict the environment of the that bill and forms no part of the claimed design.

1 Claim, 3 Drawing Sheets



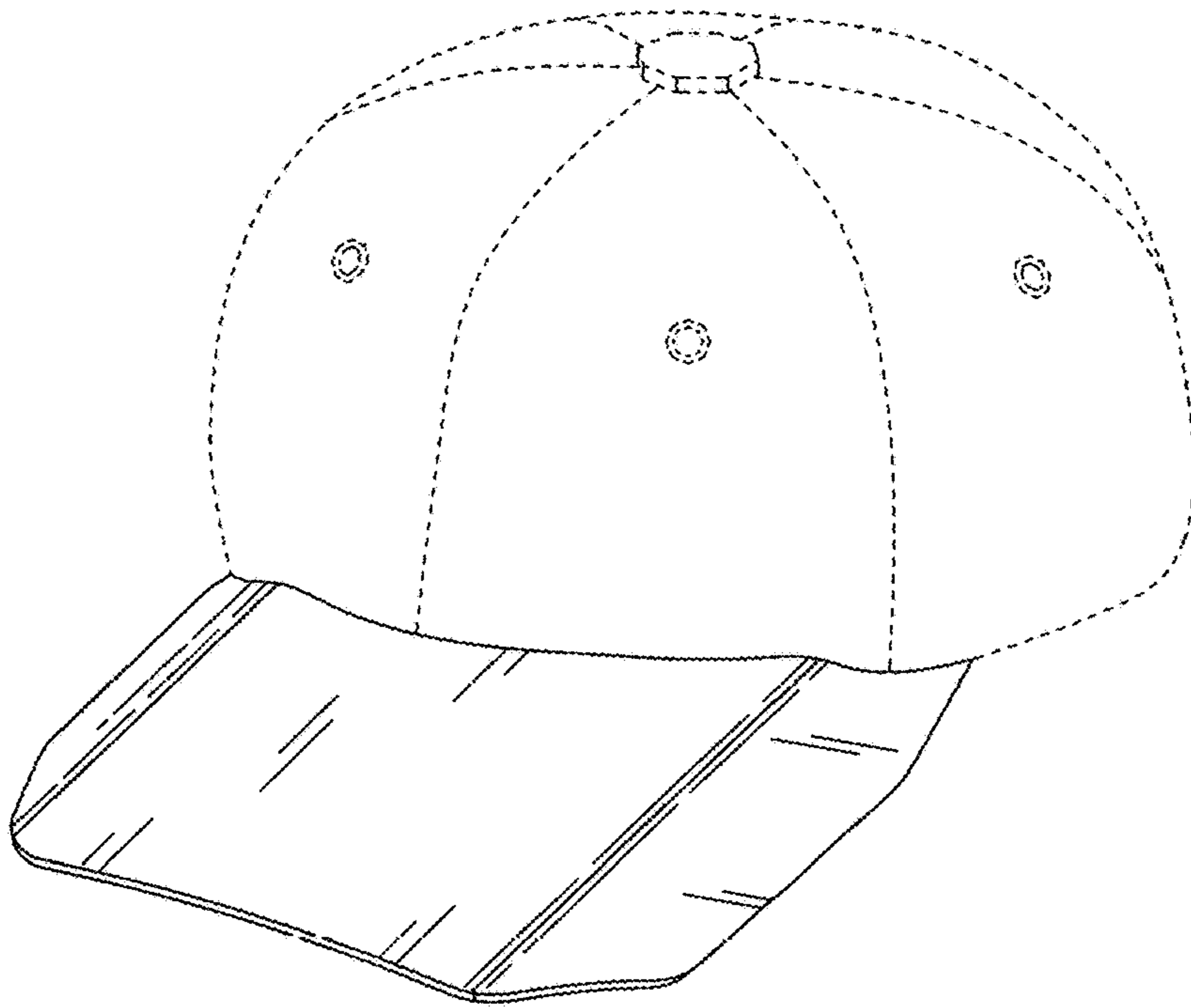


FIG. 1

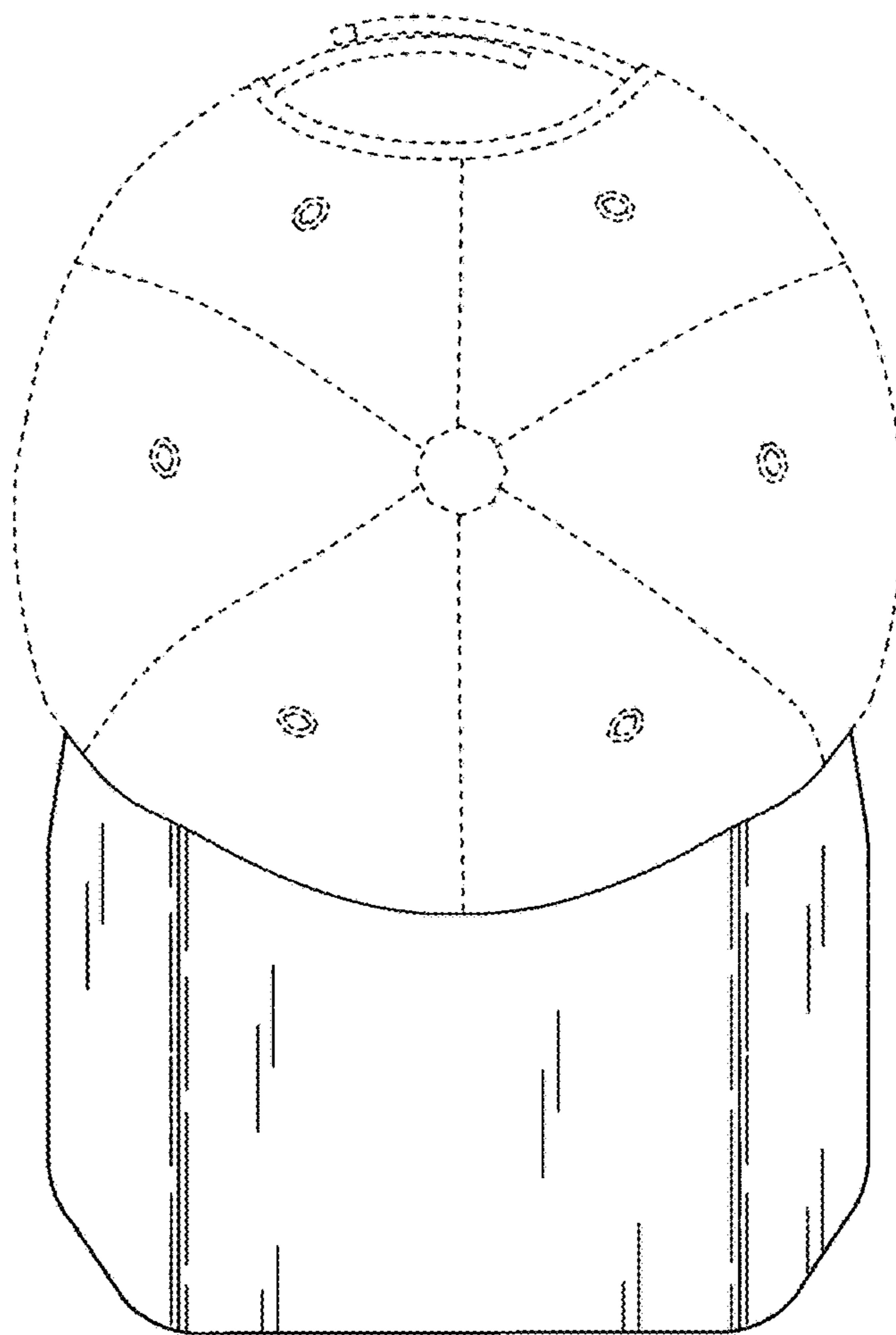


FIG. 2

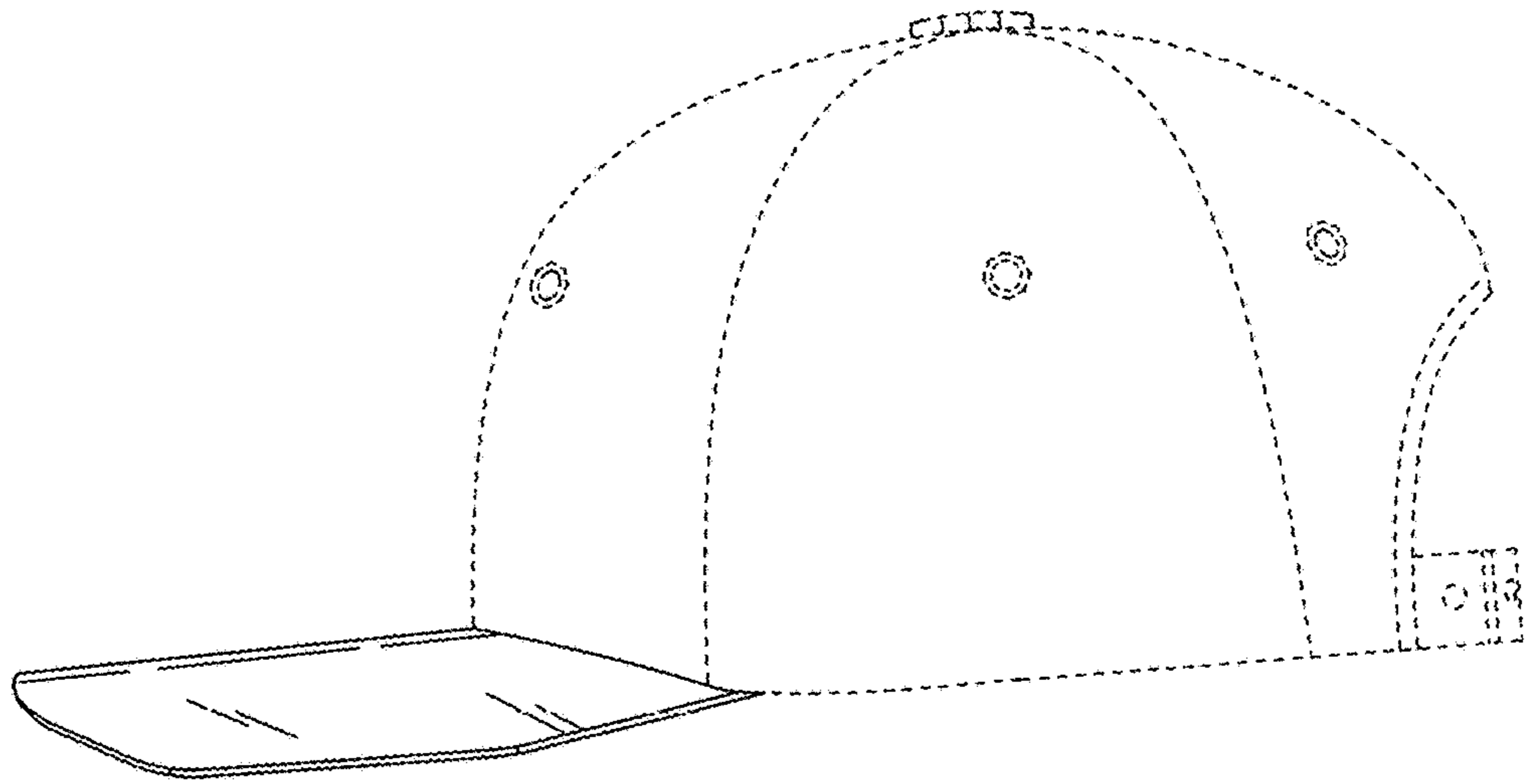


FIG. 3

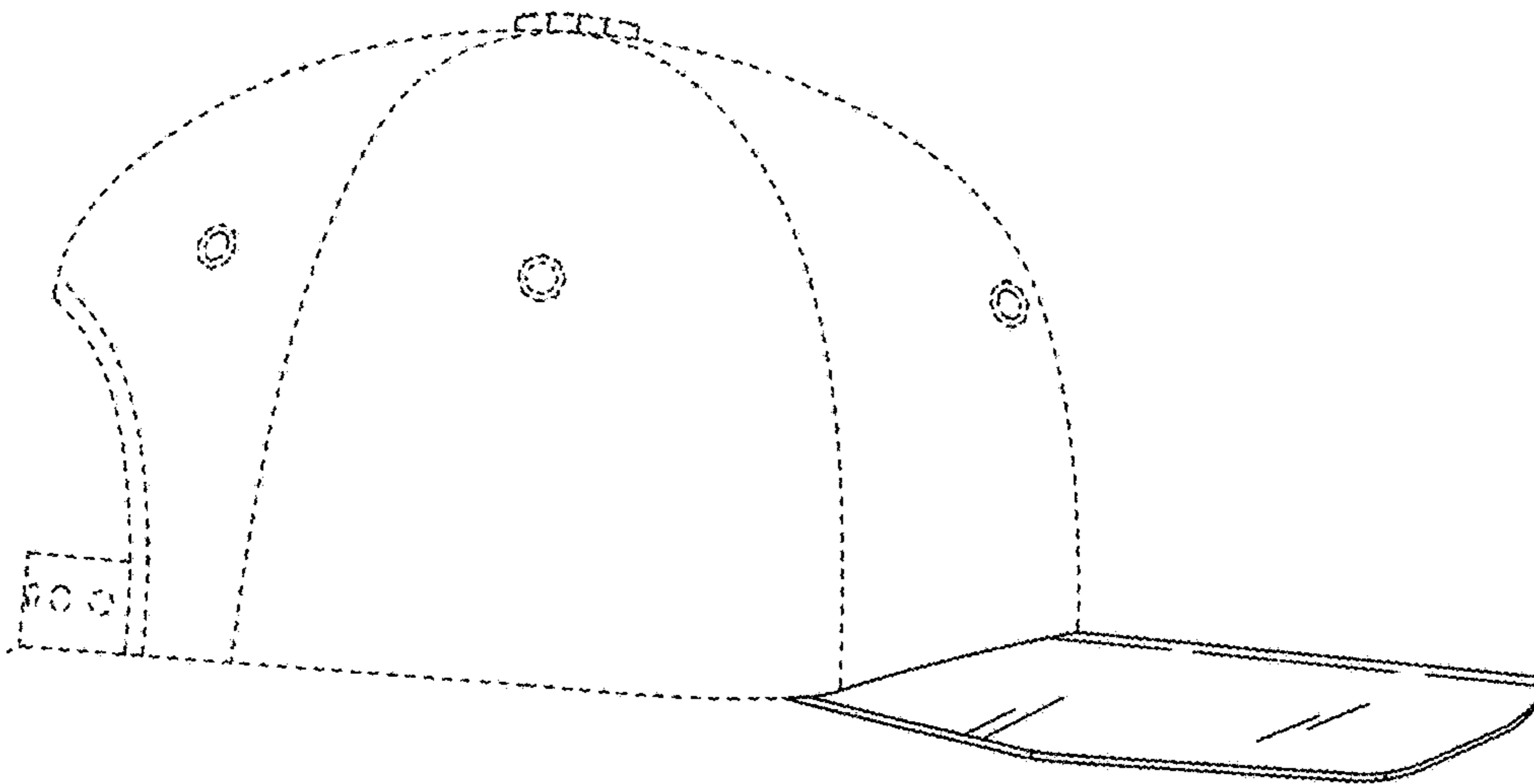


FIG. 4

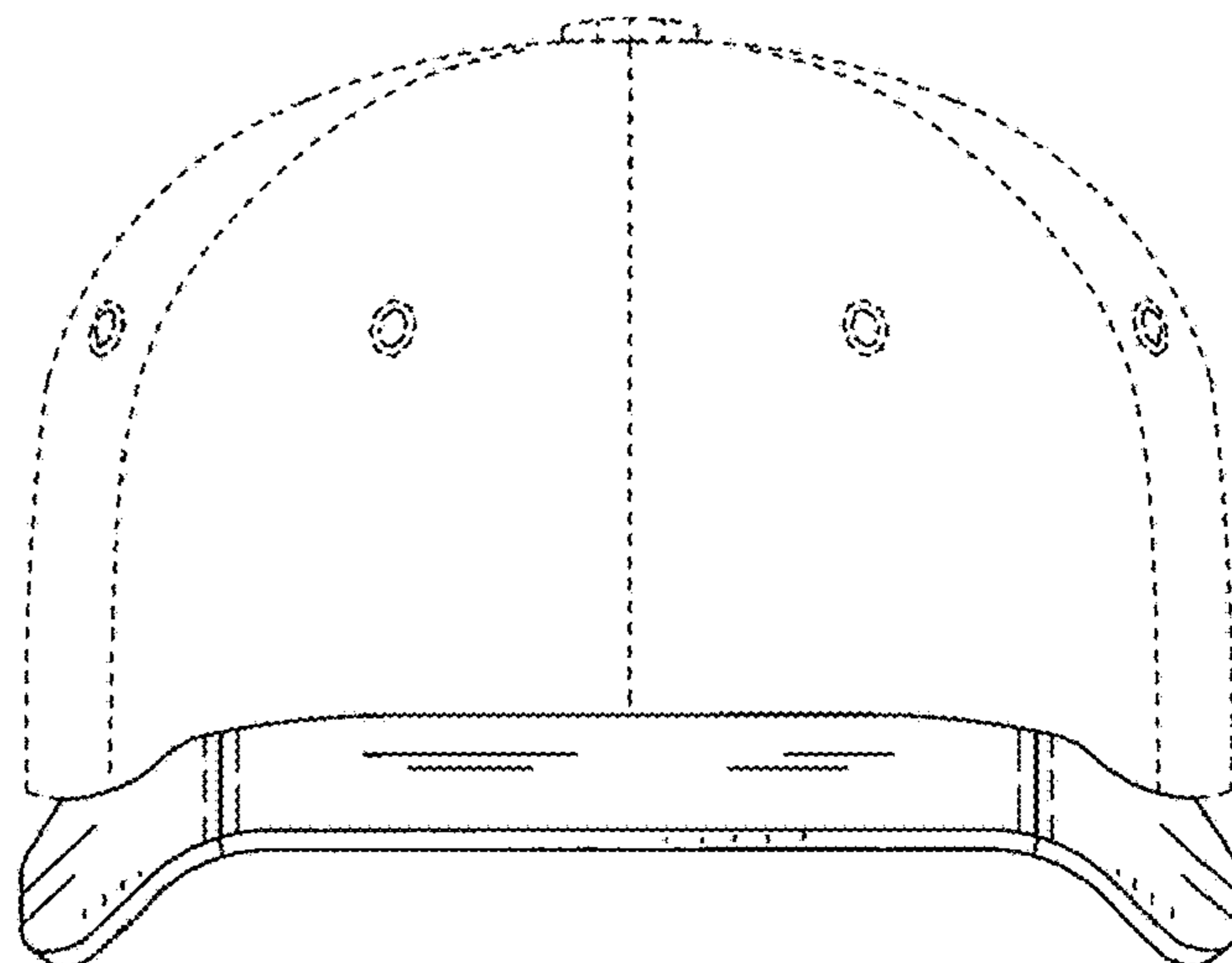


FIG. 5

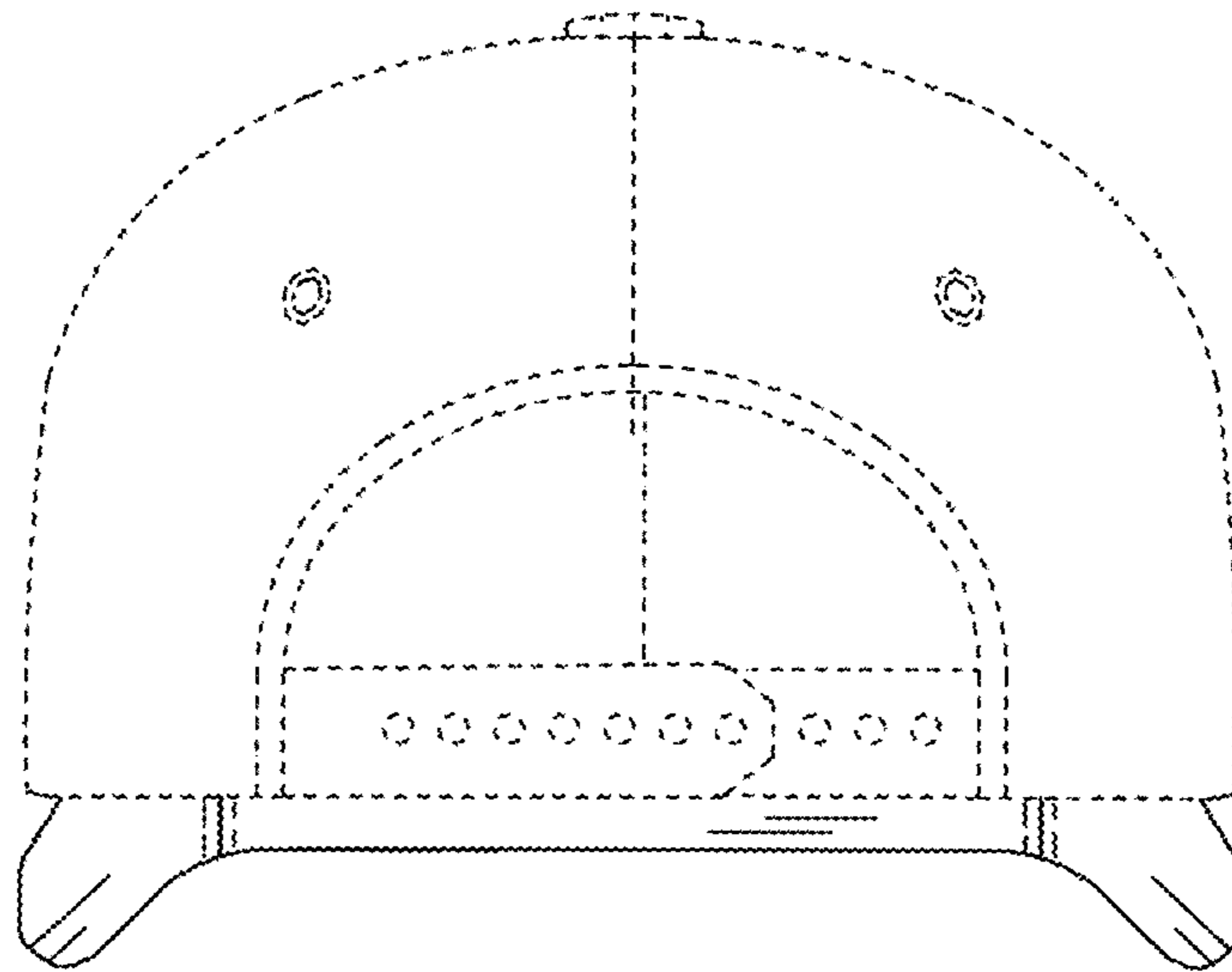


FIG. 6

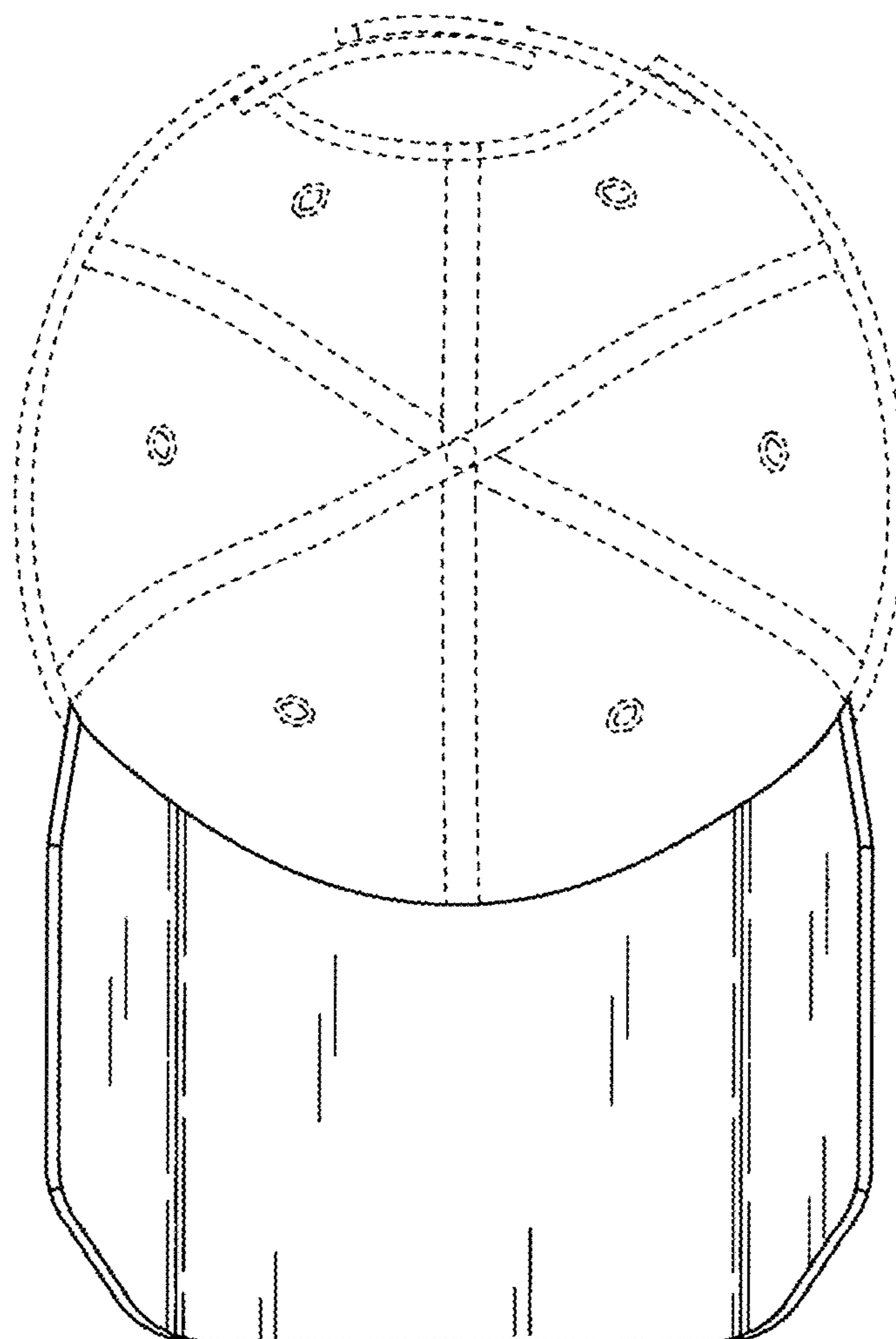


FIG. 7