



US00D951594S

(12) **United States Design Patent** (10) **Patent No.:** **US D951,594 S**
Hasson (45) **Date of Patent:** **** *May 17, 2022**

(54) **SCRUB PANTS**

(71) Applicant: **FIGS, INC.**, Santa Monica, CA (US)

(72) Inventor: **Heather Leigh Hasson**, Santa Monica, CA (US)

(73) Assignee: **FIGS, INC.**, Santa Monica, CA (US)

(*) Notice: This patent is subject to a terminal disclaimer.

(**) Term: **15 Years**

(21) Appl. No.: **29/704,063**

(22) Filed: **Aug. 30, 2019**

(51) **LOC (13) Cl.** **02-02**

(52) **U.S. Cl.**
USPC **D2/739**

(58) **Field of Classification Search**
USPC D2/700, 713, 715-718, 720, 728, 731,
D2/738, 739, 742, 743, 780, 781, 839,
D2/840, 853, 857, 862
CPC A41D 13/1236; A41D 13/1245; A41D
2400/44; A41D 2400/70; A41D 13/1209;
A41D 1/06; A41D 1/08; A41D 1/086;
A41D 13/0543; A63B 71/1225; Y10S
2/919; Y10S 2/911

See application file for complete search history.

(56) **References Cited**

U.S. PATENT DOCUMENTS

D734,917 S * 7/2015 Santana D2/739
D750,345 S * 3/2016 Earley D2/739
D793,664 S * 8/2017 Emanuel D2/742

OTHER PUBLICATIONS

NPL-FIGS Charcoal Scrubs, announced 2015 [online], [site visited Oct. 7, 2020]/ Available from internet, URL: <https://www.facebook.com/wearFIGS/photos/a.439364299419037/949915868363875/?type=3&theater> (Year: 2015).*

NPL-FIGS Scrub Pants, announced 2015 [online], [site visited Oct. 7, 2020]/ Available from internet, URL: <https://www.facebook.com/wearFIGS/photos/a.439364299419037/943273129028149/?type=3&theater> (Year: 2015).*

NPL-FIGS Pink Scrub Pants, announced 2015 [online], [site visited Oct. 7, 2020]/ Available from internet, URL: <https://www.facebook.com/wearFIGS/photos/a.439364299419037/953392598016202/?type=3&theater> (Year: 2015).*

NPL-FIGS Caribbean Blue Pants, announced 2016 [online], [site visited Oct. 7, 2020]/ Available from internet, URL: <https://www.facebook.com/wearFIGS/photos/a.439364299419037/1074618812560246/?type=3&theater> (Year: 2016).*

FIGS Heather Denim Scrub Pants, announced 2017 [online], [site visited Oct. 7, 2020]/ Available from internet, URL: <https://www.facebook.com/wearFIGS/photos/a.439364299419037/1589189147769874/?type=3&theater> (Year: 2017).*

(Continued)

Primary Examiner — Kevin K Rudzinski

Assistant Examiner — Amber J Rabie

(74) *Attorney, Agent, or Firm* — Sterne, Kessler, Goldstein & Fox P.L.L.C.

(57) **CLAIM**

The ornamental design for scrub pants, as shown and described.

DESCRIPTION

FIG. 1 is a front view of scrub pants showing the claimed design;

FIG. 2 is a rear view thereof;

FIG. 3 is a left side view thereof;

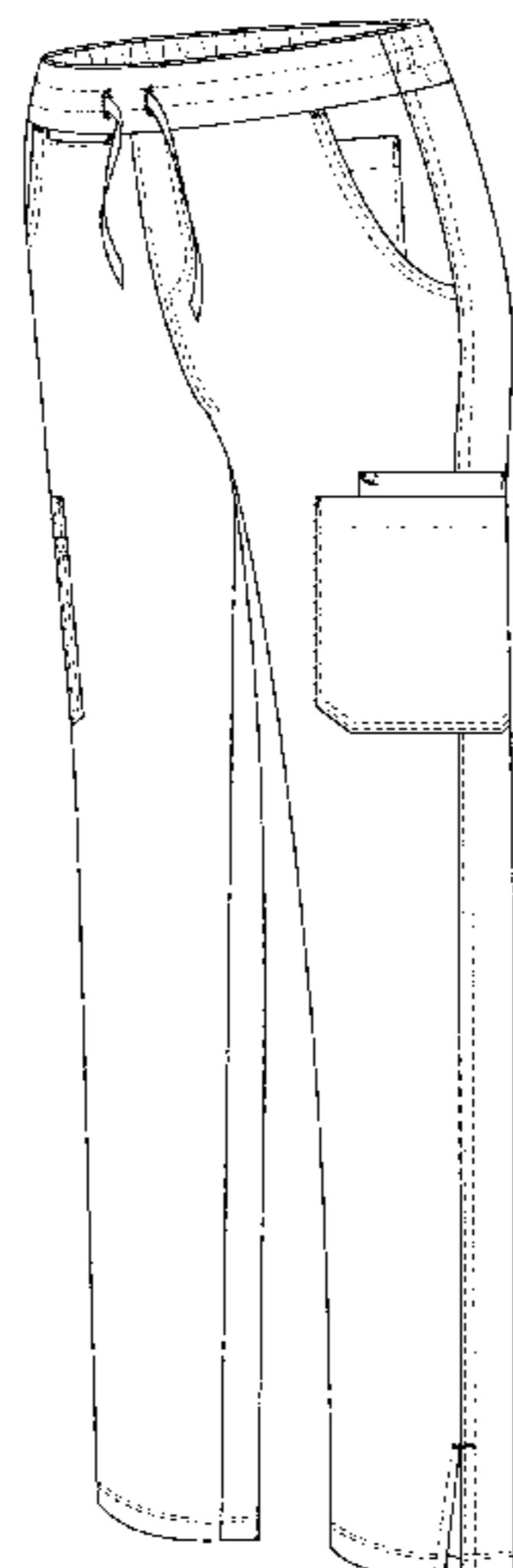
FIG. 4 is a right side view thereof; and,

FIG. 5 is a front perspective view thereof.

The dot-dash broken lines in the figures and the areas within the dot-dash broken lines show portions of the scrub pants that form no part of the claimed design.

The dashed broken lines show a stitching pattern. The dashed broken lines form part of the claimed design.

1 Claim, 5 Drawing Sheets



(56)

References Cited

OTHER PUBLICATIONS

Adar Addition Go-Higher Scrub Set, announced 2018 [online], [site visited Sep. 25, 2020]. Available from internet, URL: <<https://www.amazon.ca/Universal-Womens-Scrub-Set-Double/dp/B07NWXC6GN/?th=1>> (Year: 2018).*

FIGS YOLA Skinny Scrub Pants, announced 2018 [online], [site visited Oct. 7, 2020]. Available from internet, URL: <https://www.amazon.com/dp/B012BQCASK/ref=twister_dp_update?_encoding=UTF8&th=1&psc=1> (Year: 2018).*

Lynne “FIGS Scrub Review”; Apr. 2, 2018; <https://youtu.be/pZjQAyA2eAg?t=100>; 1 page; last accessed Jul. 14, 2021.

Lynne “FIGS Scrub Review”; Apr. 2, 2018; <https://youtu.be/pZjQAyA2eAg?t=49>; 1 page; last accessed Jul. 14, 2021.

Lynne “FIGS Scrub Review”; Apr. 2, 2018; <https://youtu.be/pZjQAyA2eAg?t=93>; 1 page; last accessed Jul. 14, 2021.

* cited by examiner

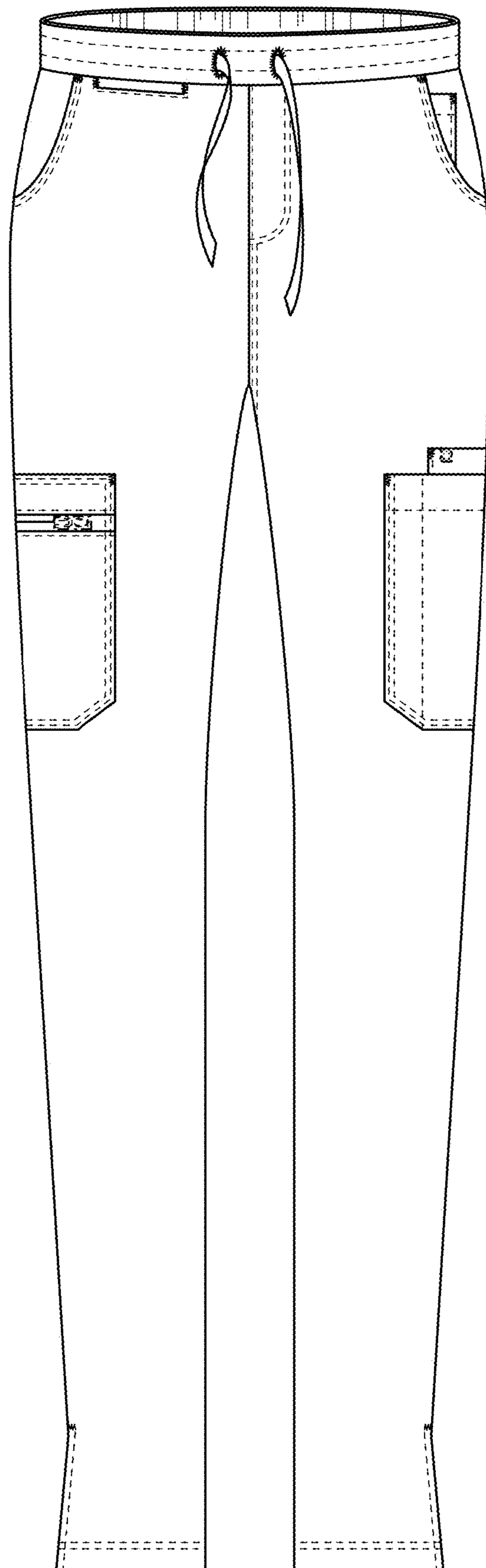


FIG. 1

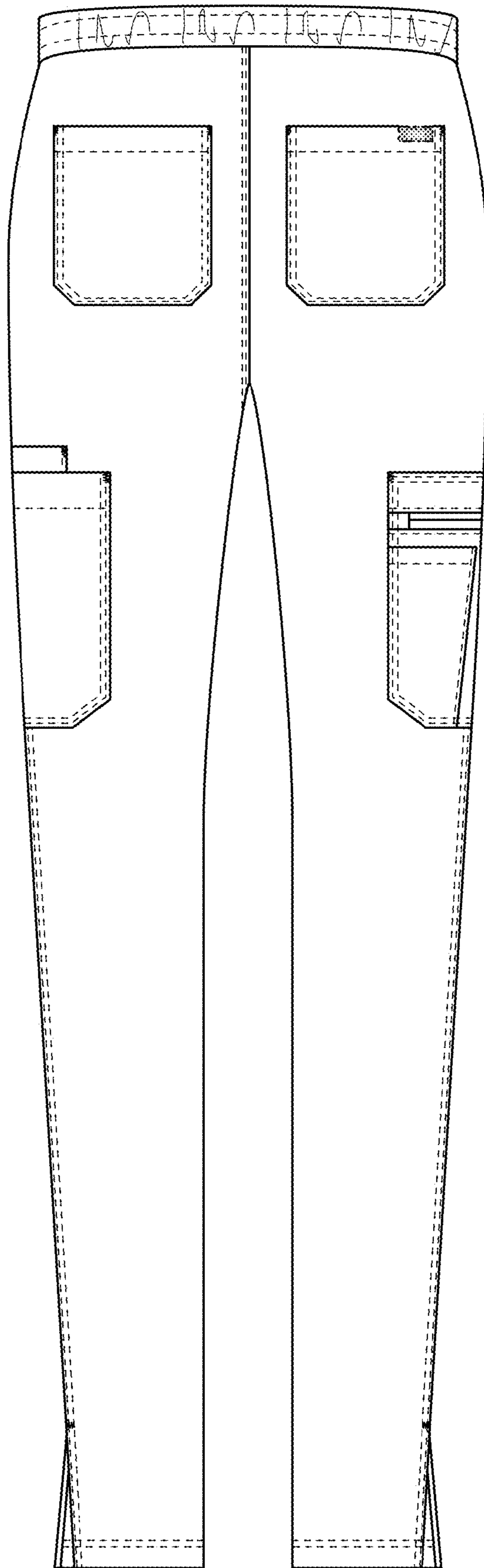


FIG. 2

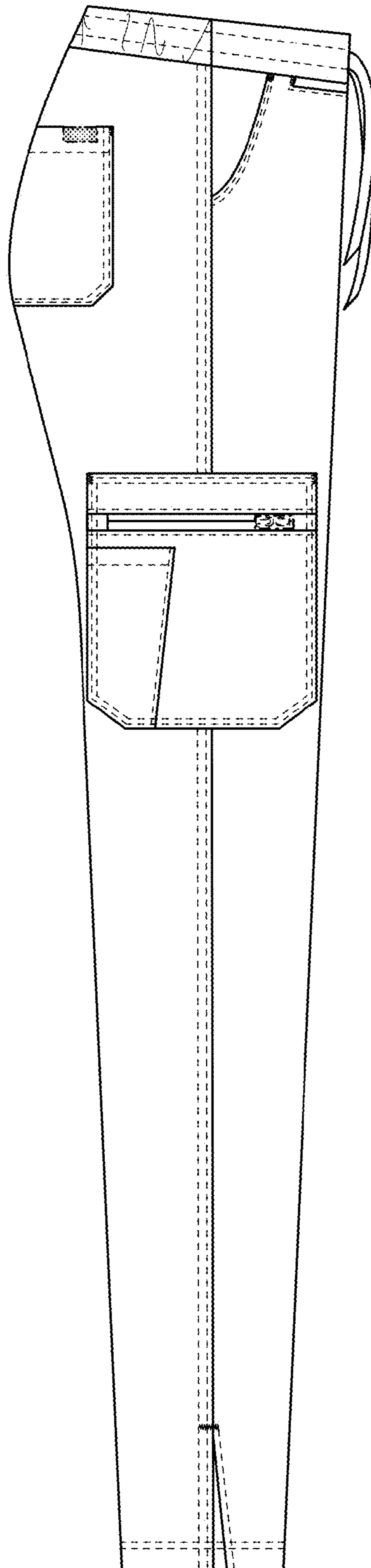


FIG. 3

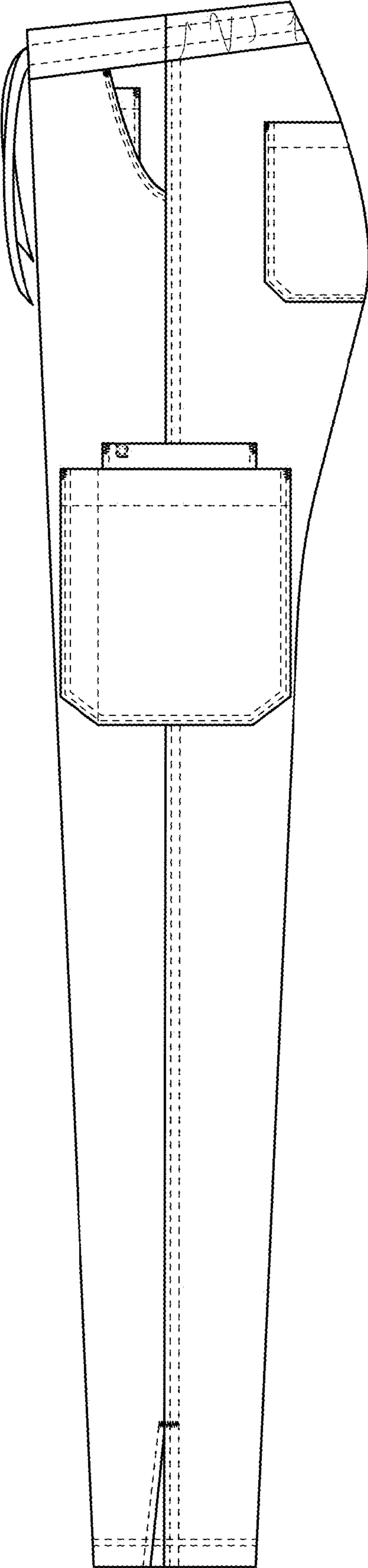


FIG. 4

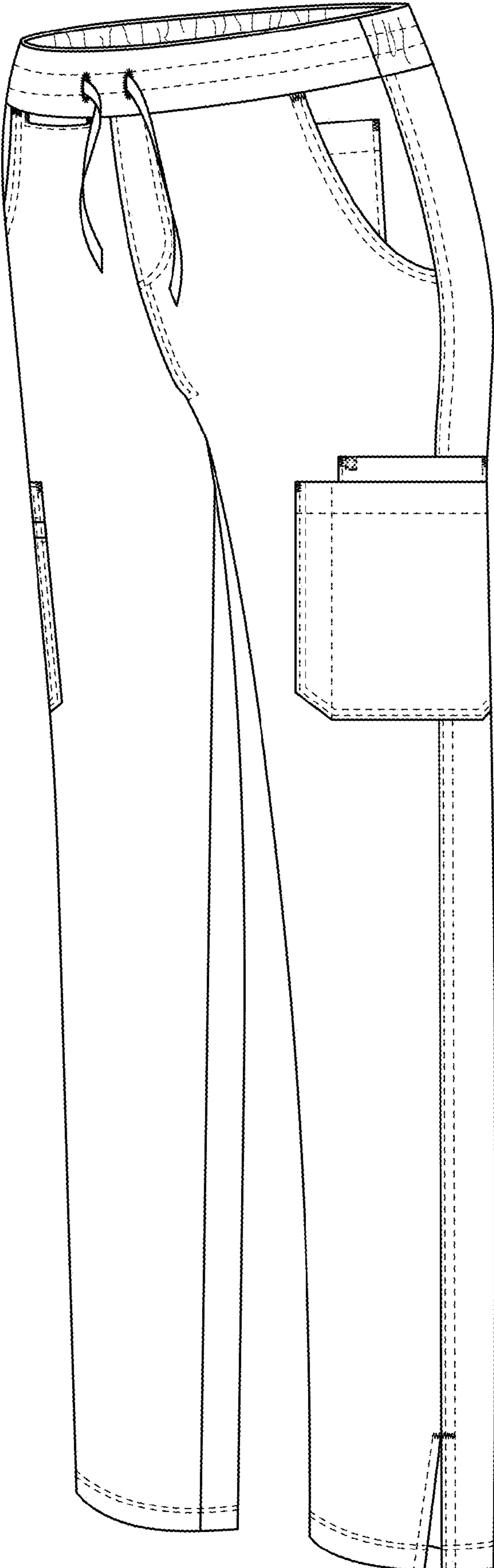


FIG. 5