



US00D951592S

(12) **United States Design Patent** (10) **Patent No.:** **US D951,592 S**  
**Xiao** (45) **Date of Patent:** **\*\* May 17, 2022**

(54) **WEARABLE BLANKET**  
(71) Applicant: **Qiangyou Xiao**, Hunan (CN)  
(72) Inventor: **Qiangyou Xiao**, Hunan (CN)  
(\*\*) Term: **15 Years**  
(21) Appl. No.: **29/787,288**  
(22) Filed: **Jun. 4, 2021**  
(51) **LOC (13) Cl.** ..... **02-02**  
(52) **U.S. Cl.**  
USPC ..... **D2/724**  
(58) **Field of Classification Search**  
USPC ..... D2/717, 718, 724, 749-751, 825, 828,  
D2/830-831, 839, 840-842  
CPC ..... A41D 2200/20; A41D 1/04; A41D 15/04;  
A41D 27/10; A41D 3/02; A41D 3/005;  
A41D 3/04; A41D 3/08  
See application file for complete search history.

(56) **References Cited**

**U.S. PATENT DOCUMENTS**

D553,330 S \* 10/2007 Wager ..... D2/831  
D600,884 S \* 9/2009 Patton ..... D2/825  
D626,310 S \* 11/2010 Cruz ..... D2/758  
D627,540 S \* 11/2010 Claeys ..... D2/750  
D728,900 S \* 5/2015 White ..... D2/750  
D731,144 S 6/2015 White  
D736,496 S \* 8/2015 Gonzalez ..... D2/831  
D741,567 S 10/2015 Chang  
D741,576 S \* 10/2015 Sakosits ..... D2/833  
D802,886 S \* 11/2017 Salce, Jr. .... A41D 3/08  
D2/831  
D839,539 S \* 2/2019 Jones ..... D2/719  
D854,787 S \* 7/2019 Ngan ..... D2/831  
D859,788 S \* 9/2019 Speciale ..... D2/828

10,420,431 B1 \* 9/2019 Speciale ..... A41D 31/02  
D886,416 S \* 6/2020 Speciale ..... D2/828  
10,772,366 B1 \* 9/2020 Ngan ..... A41D 15/04  
D903,235 S \* 12/2020 Lv ..... D2/724  
D903,237 S \* 12/2020 Speciale ..... D2/828  
D905,380 S \* 12/2020 Speciale ..... D2/828  
D912,369 S \* 3/2021 Wu ..... D2/750  
D912,931 S \* 3/2021 Yan ..... D2/724  
D914,330 S \* 3/2021 Yan ..... D2/724  
D917,829 S \* 5/2021 Guo ..... D2/718  
2013/0000010 A1 \* 1/2013 Ryan ..... A41D 27/201  
2/84  
2013/0130540 A1 \* 5/2013 Oman ..... H01R 31/005  
439/527  
2013/0152269 A1 \* 6/2013 Coward ..... A41D 13/08  
2/84  
2017/0020215 A1 \* 1/2017 Merritt ..... A41D 3/005  
2018/0000233 A1 \* 1/2018 Yilla ..... A45F 4/08

\* cited by examiner

*Primary Examiner* — Michelle E. Wilson

*Assistant Examiner* — Clese Moore, Jr.

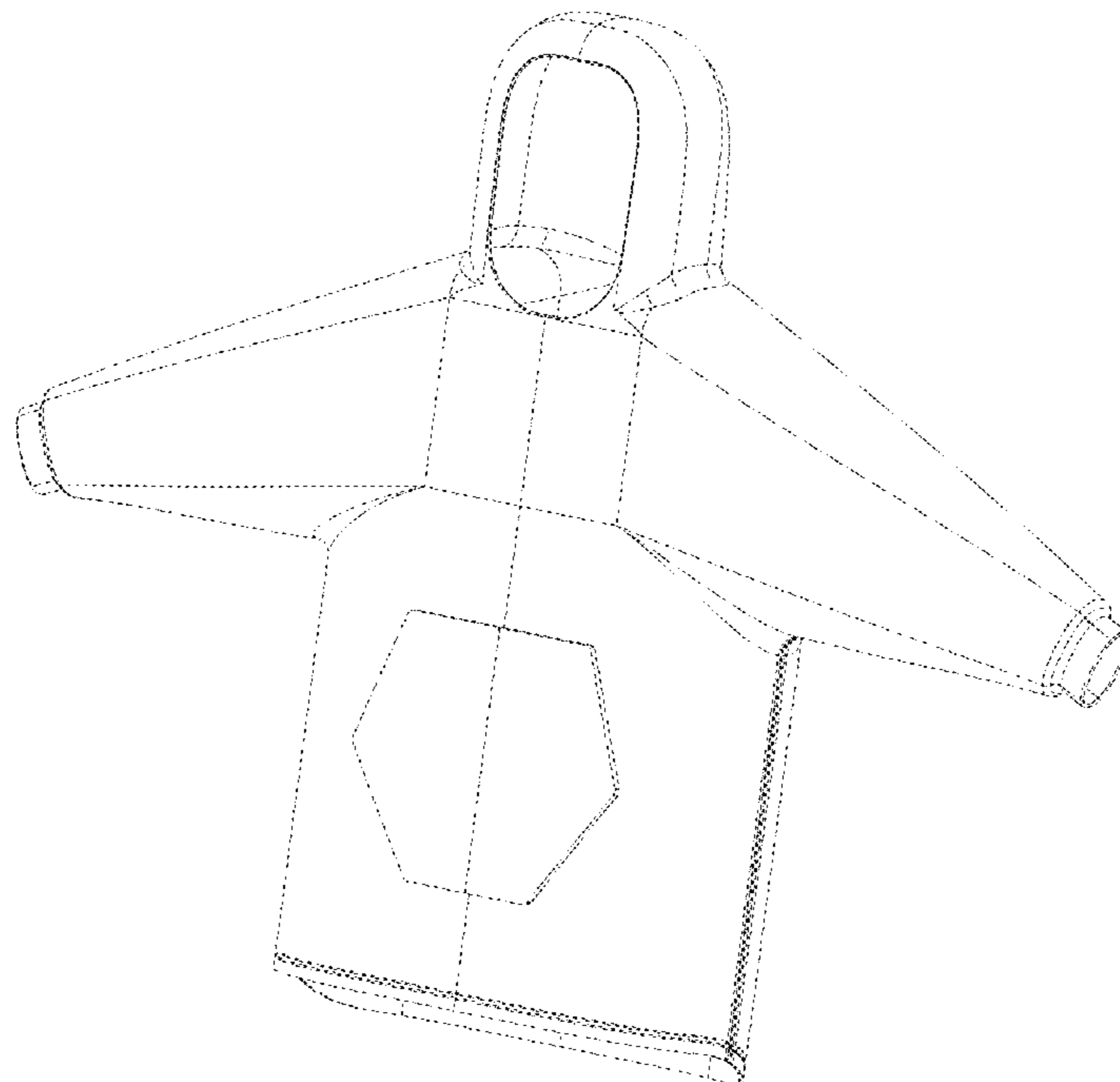
(57) **CLAIM**

The ornamental design for a wearable blanket, as shown and described.

**DESCRIPTION**

FIG. 1 is a perspective view of a wearable blanket showing my new design;  
FIG. 2 is an alternative perspective view thereof;  
FIG. 3 is a front view thereof;  
FIG. 4 is a back view thereof;  
FIG. 5 is a top view thereof;  
FIG. 6 is a bottom view thereof;  
FIG. 7 is a left side view thereof; and,  
FIG. 8 is a right side view thereof.

**1 Claim, 8 Drawing Sheets**



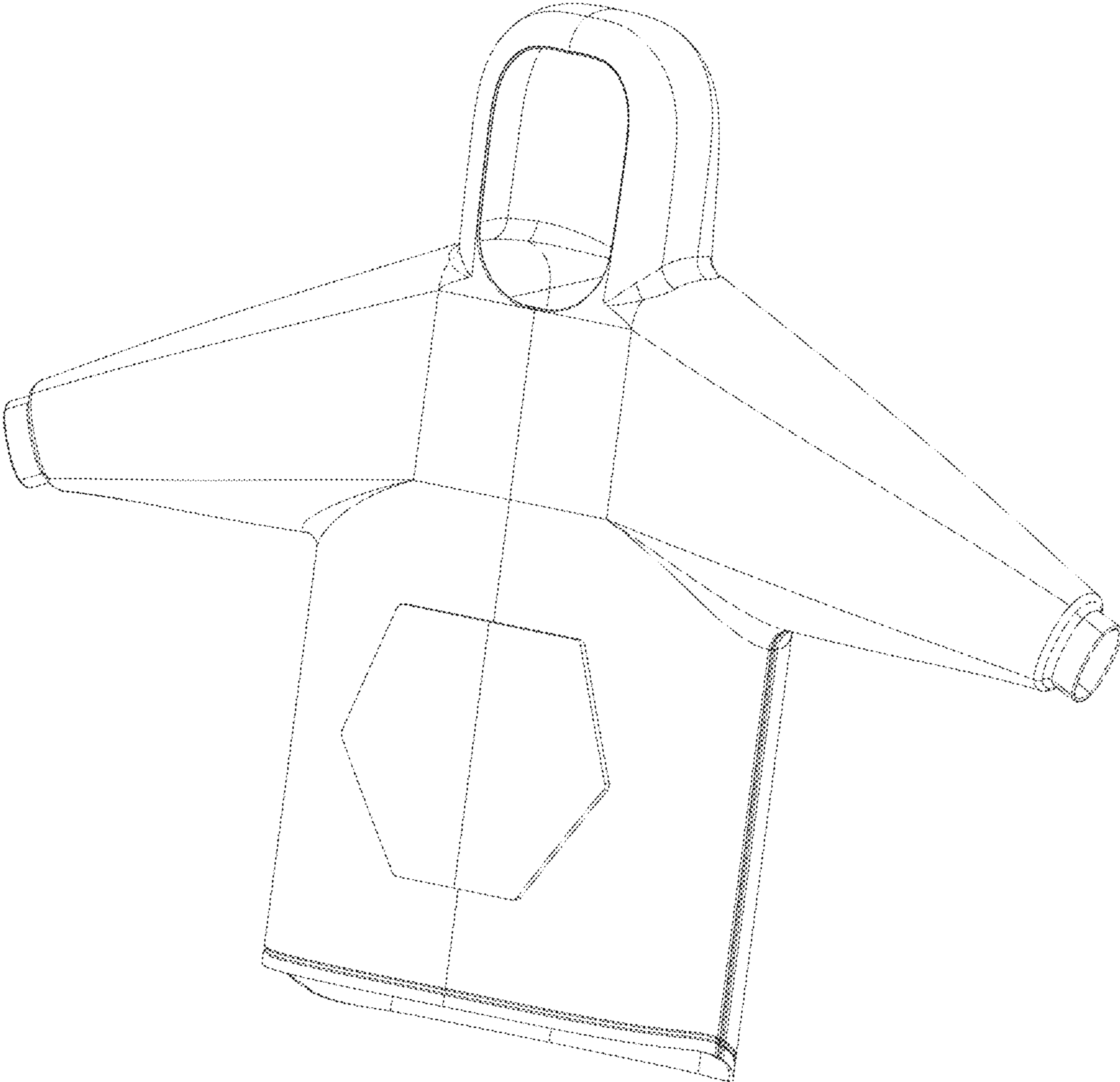


FIG 1

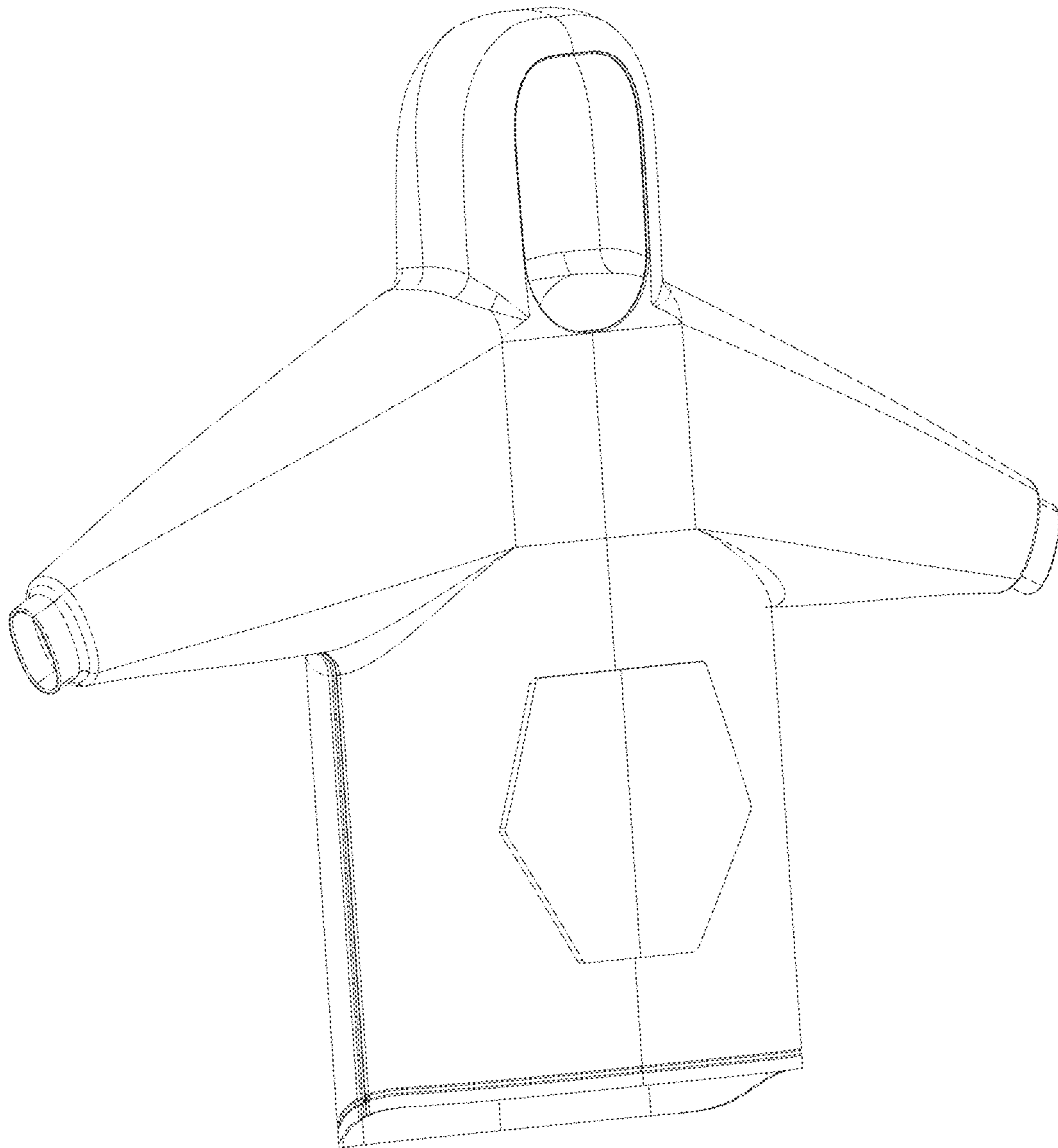


FIG 2

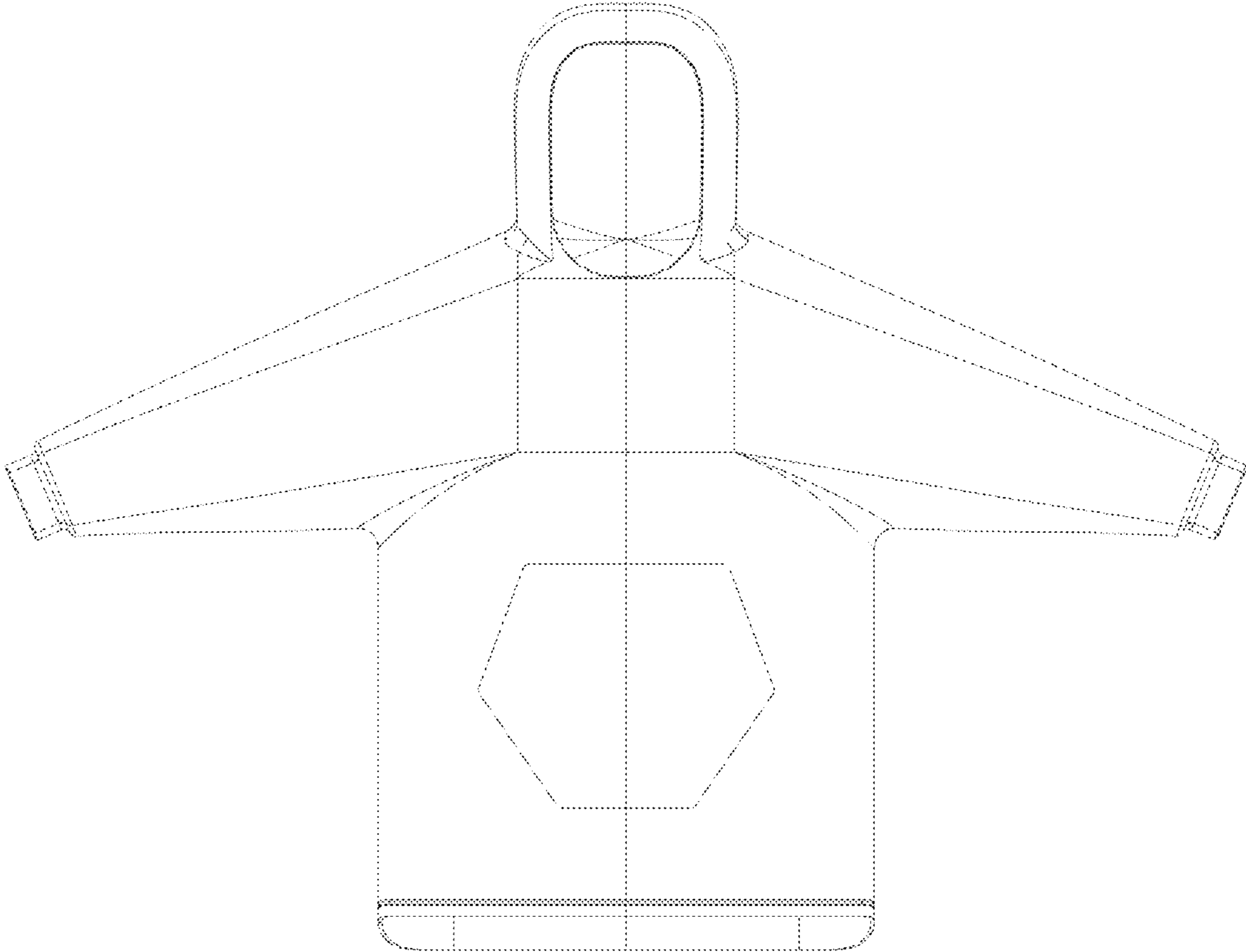


FIG 3

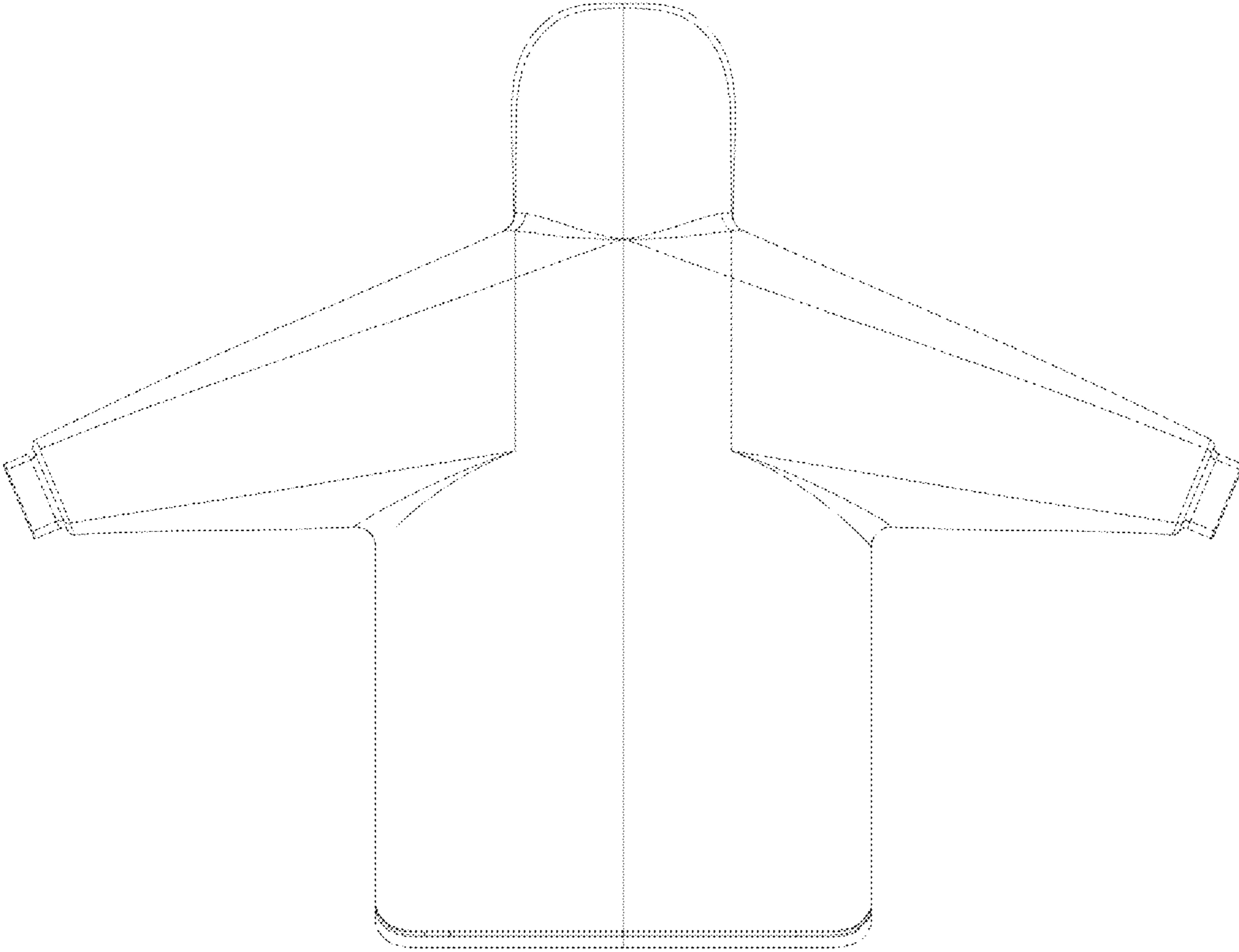


FIG 4

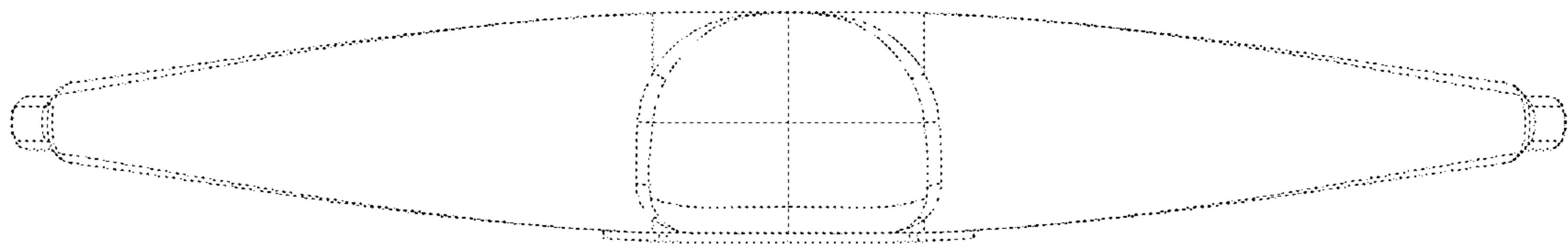


FIG 5

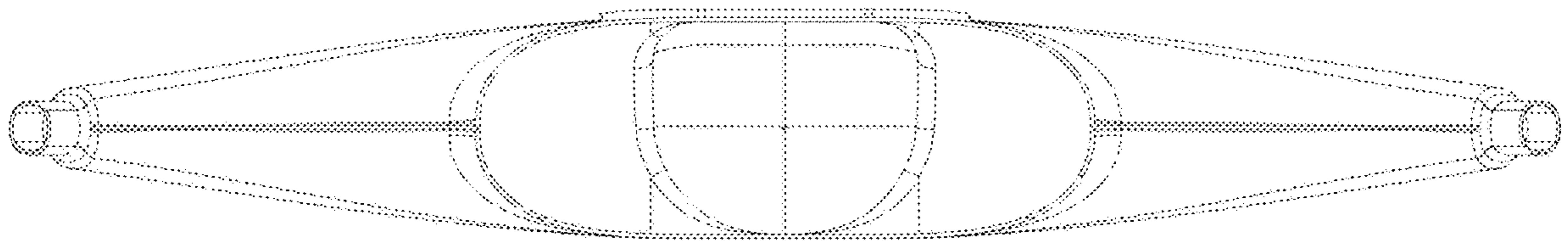


FIG 6

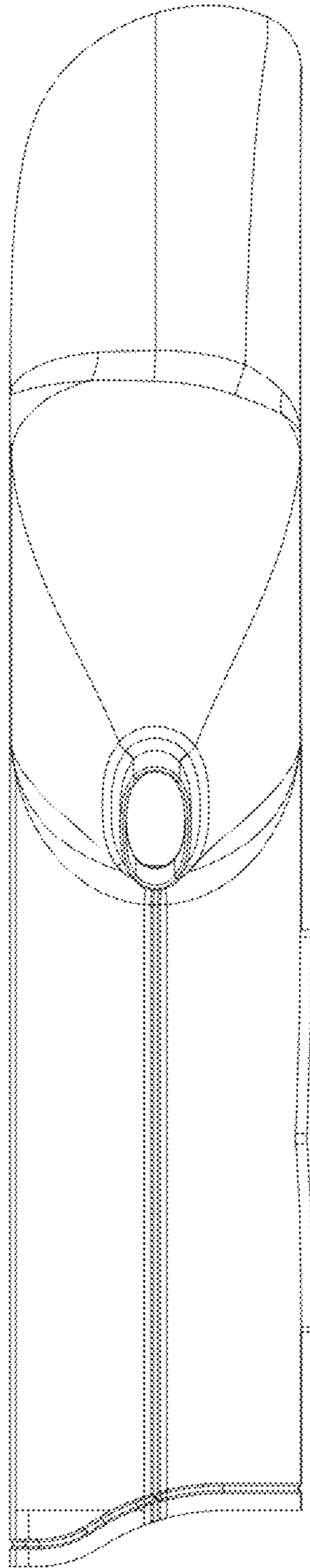


FIG 7



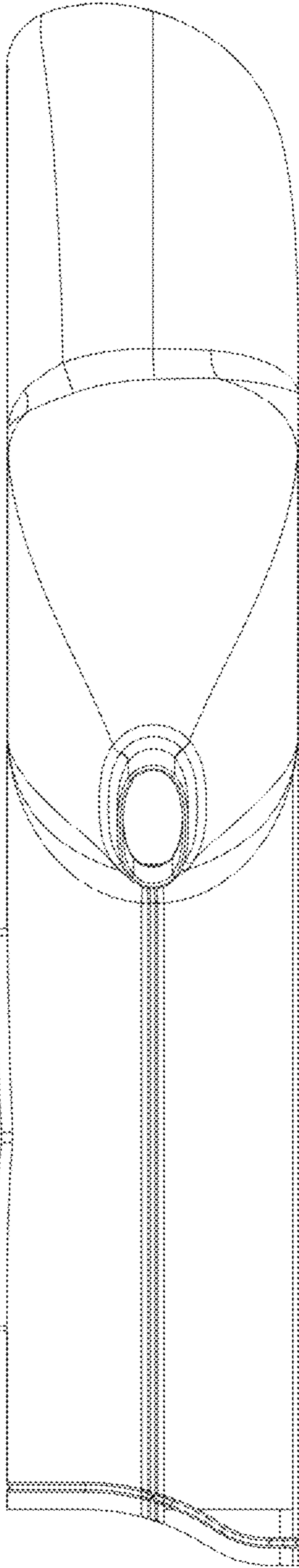


FIG 8