



US00D951583S

(12) **United States Design Patent** (10) **Patent No.:** **US D951,583 S**
Lee (45) **Date of Patent:** **** May 10, 2022**

(54) **AUTOMATED TELLER MACHINE**

G07F 5/00; G07F 1/00; E05G 7/001;
E05G 1/006; A63H 3/00; A63H 3/005

See application file for complete search history.

(71) Applicant: **HANMEGA CO., LTD.**, Seoul (KR)

(72) Inventor: **Chul Joo Lee**, Seoul (KR)

(56) **References Cited**

(73) Assignee: **HANMEGACO., LTD.**, Seoul (KR)

U.S. PATENT DOCUMENTS

(**) Term: **15 Years**

(21) Appl. No.: **29/715,122**

(22) Filed: **Nov. 27, 2019**

D395,129 S *	6/1998	Johnson	D14/130
D402,782 S *	12/1998	Johnson	D99/28
D419,277 S *	1/2000	Ishii	D99/28
D584,875 S *	1/2009	Bleck	D99/28
D592,825 S *	5/2009	Kang	D99/28
D596,373 S *	7/2009	Kang	D99/28
D596,374 S *	7/2009	Kang	D99/28
D625,305 S *	10/2010	Bleck	D14/307
D629,585 S *	12/2010	Bleck	D99/28
D645,223 S *	9/2011	Bleck	D99/28
D674,985 S *	1/2013	Lee	D99/28
D716,515 S *	10/2014	Cha	D99/28
D769,570 S *	10/2016	Kraft	D99/28
D769,571 S *	10/2016	Lee	D99/28
D769,572 S *	10/2016	Park	D99/28

(30) **Foreign Application Priority Data**

Oct. 14, 2019 (KR) 30-2019-0048797

(51) **LOC (13) Cl.** **99-00**

(52) **U.S. Cl.**

USPC **D99/28**

(58) **Field of Classification Search**

USPC D99/28, 34, 35, 36, 43, 99;

D14/300-302, 305, 307, 900-902;

D18/3.1-3.3, 4.1-4.6, 12.1-12.3;

D21/324, 325, 329, 369; 101/66;

109/1 R, 1 V, 2, 23, 24.1, 25, 58, 58.5,

109/66; 446/8-13; 705/16, 17, 18, 42,

705/43, 44, 45; 235/51, 379, 380, 381,

235/382, 382.5, 386; 206/0.8, 0.81,

206/0.185, 0.82, 0.84

CPC .. G06Q 20/10; G06Q 20/108; G06Q 20/1085;

G06Q 20/18; G07D 1/00; G07D 1/02;

G07D 1/04; G07D 1/06; G07D 11/00;

G07D 9/002; G07D 9/04; G07F 19/20;

G07F 19/201; G07F 19/202; G07F

19/203; G07F 19/204; G07F 19/205;

G07F 19/21; G07F 19/00; G07F 7/04;

(Continued)

OTHER PUBLICATIONS

ATM Machine Electronic Manufacturing, https://www.3cems.com/atm-machine-electronic-manufacturing_p37.html, copyright 2018. (Year: 2018).*

Primary Examiner — Elizabeth J Oswecki

(74) *Attorney, Agent, or Firm* — Im IP Law; Chai Im; C. Andrew Im

(57) **CLAIM**

The ornamental design for an automated teller machine, as shown and described.

DESCRIPTION

FIG. 1 is a perspective view of an automated teller machine showing my new design;

FIG. 2 is a front view thereof;

FIG. 3 is a rear view thereof;

FIG. 4 is a left-side view thereof;

FIG. 5 is a right-side view thereof;

(Continued)

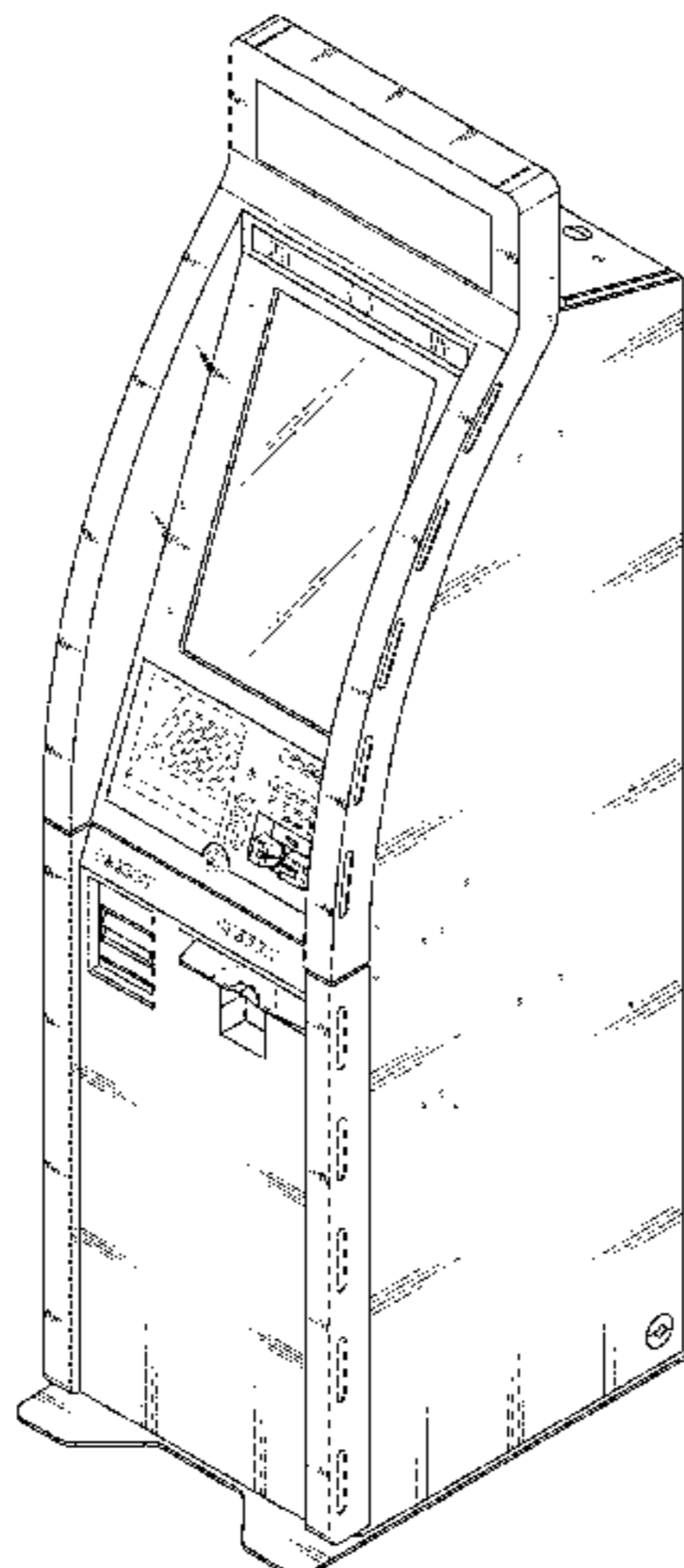


FIG. 6 is a top view thereof; and,
FIG. 7 is a bottom view thereof.

1 Claim, 4 Drawing Sheets

(56)

References Cited

U.S. PATENT DOCUMENTS

D787,774	S	*	5/2017	Shin	D99/28
D792,049	S	*	7/2017	Oh	D99/28
D826,514	S	*	8/2018	Park	D99/28
D833,704	S	*	11/2018	Kraft	D99/28
D853,077	S	*	7/2019	Ku	D99/28
D880,100	S	*	3/2020	Nelson	D99/28
D883,605	S	*	5/2020	Lee	D99/28
D888,363	S	*	6/2020	Cha	D99/28
D924,534	S	*	7/2021	Lee	D99/28
2004/0262379	A1	*	12/2004	Gomes	G07F 17/248 235/379
2008/0296365	A1	*	12/2008	Schliebe	G07F 19/2055 235/379
2009/0057398	A1	*	3/2009	Douglass	G07F 19/00 235/379

* cited by examiner

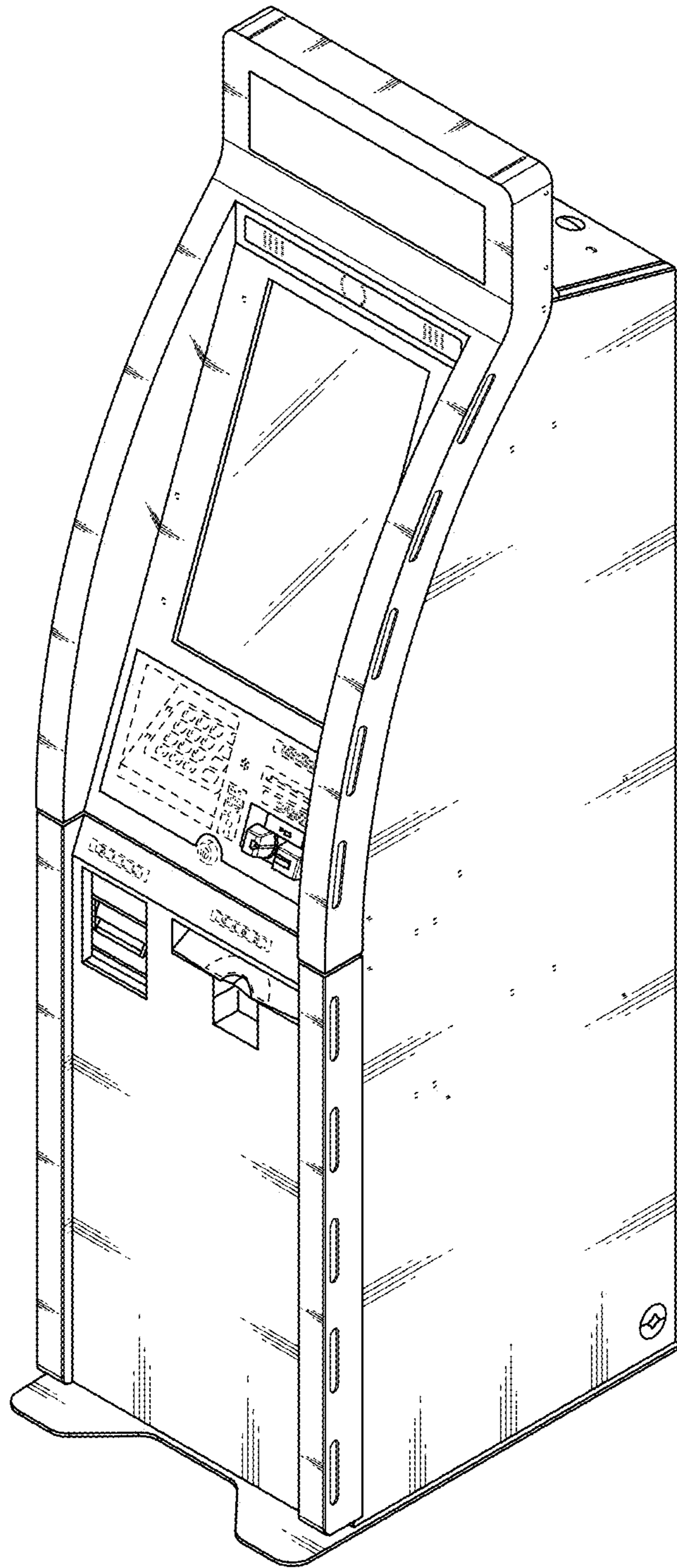


FIG. 1

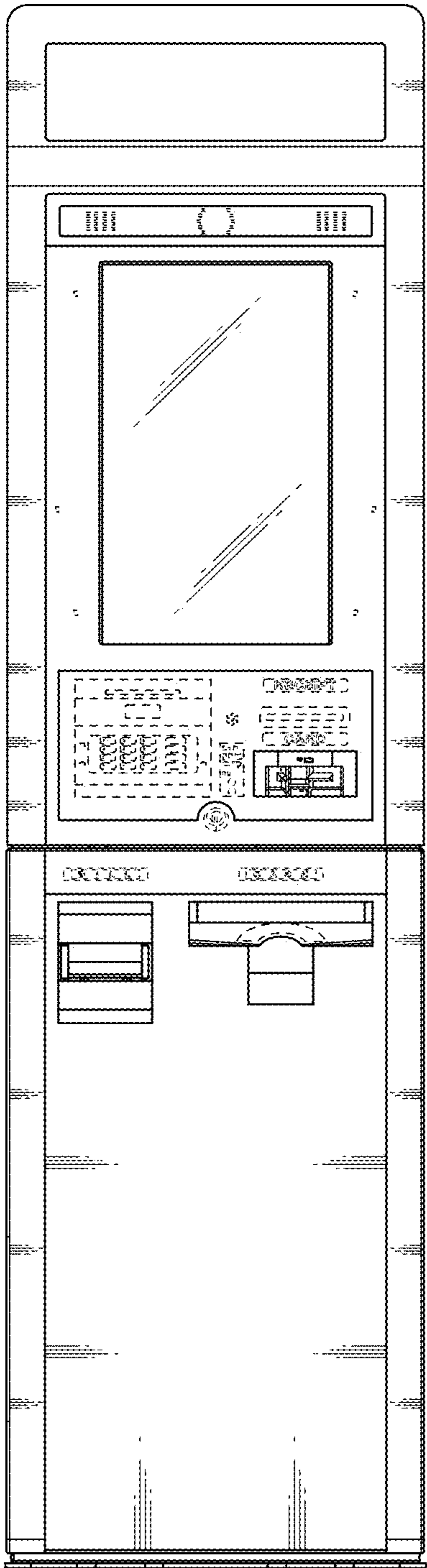


FIG. 2

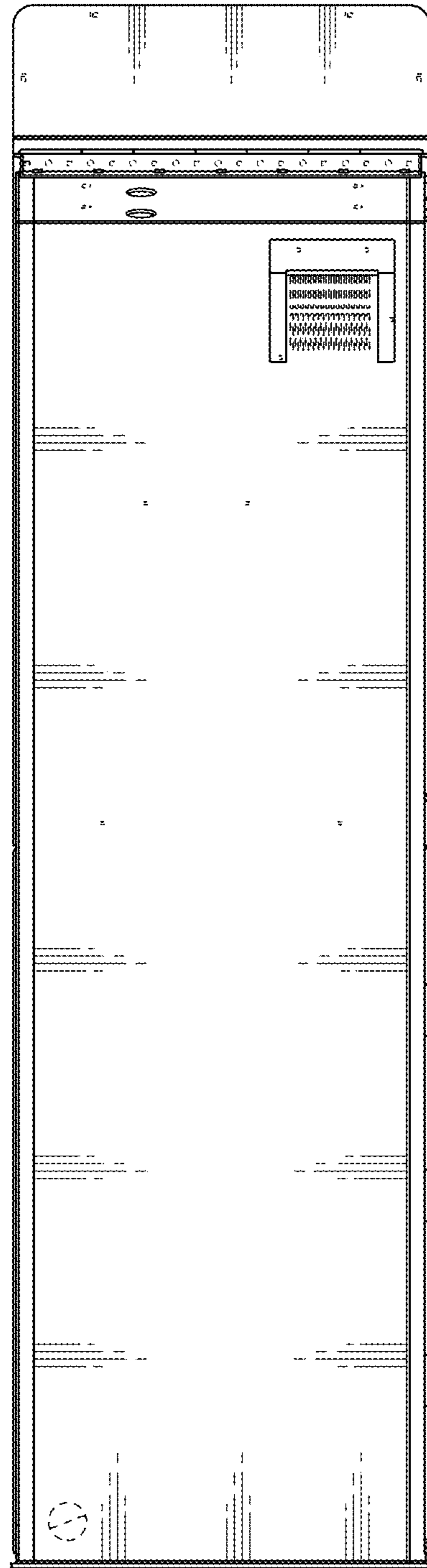


FIG. 3

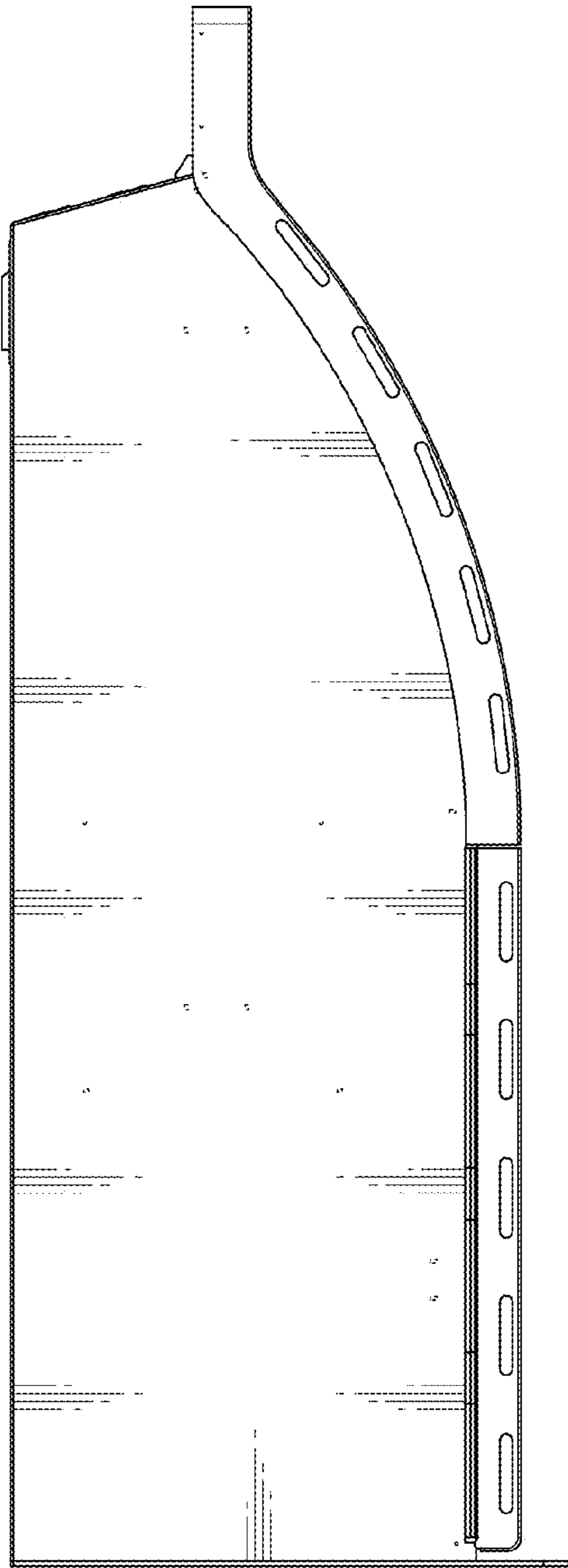


FIG. 4

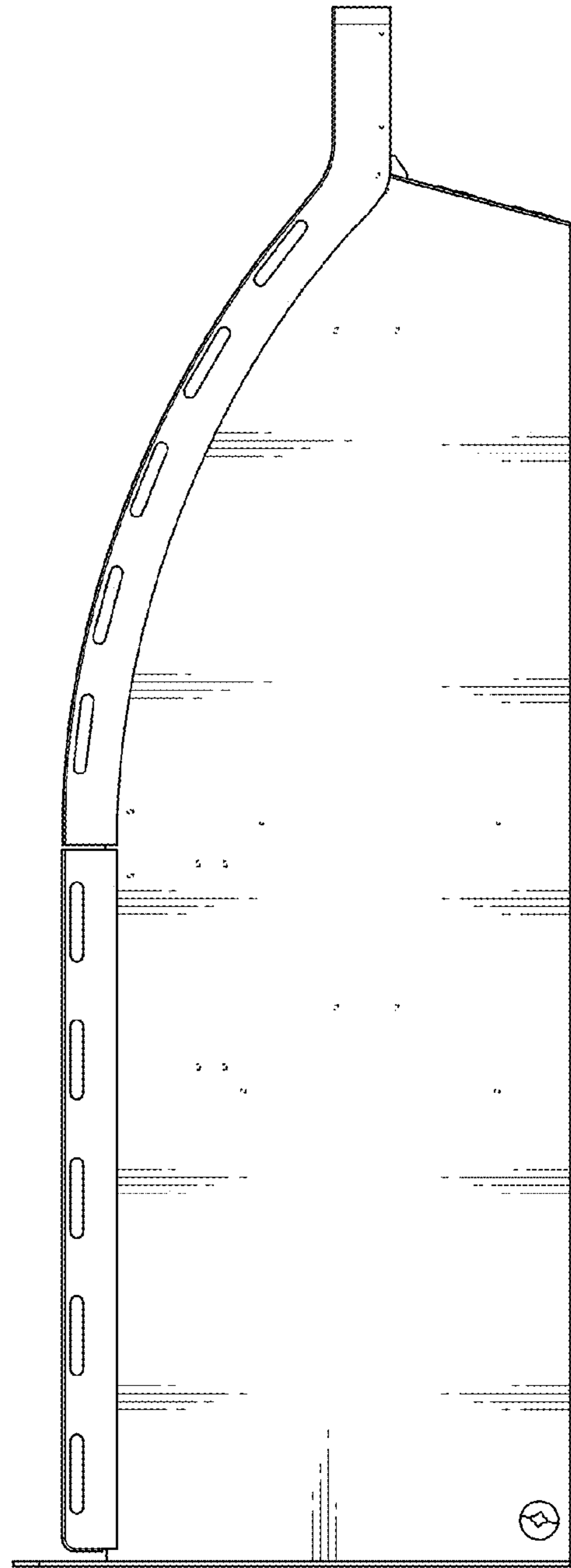


FIG. 5

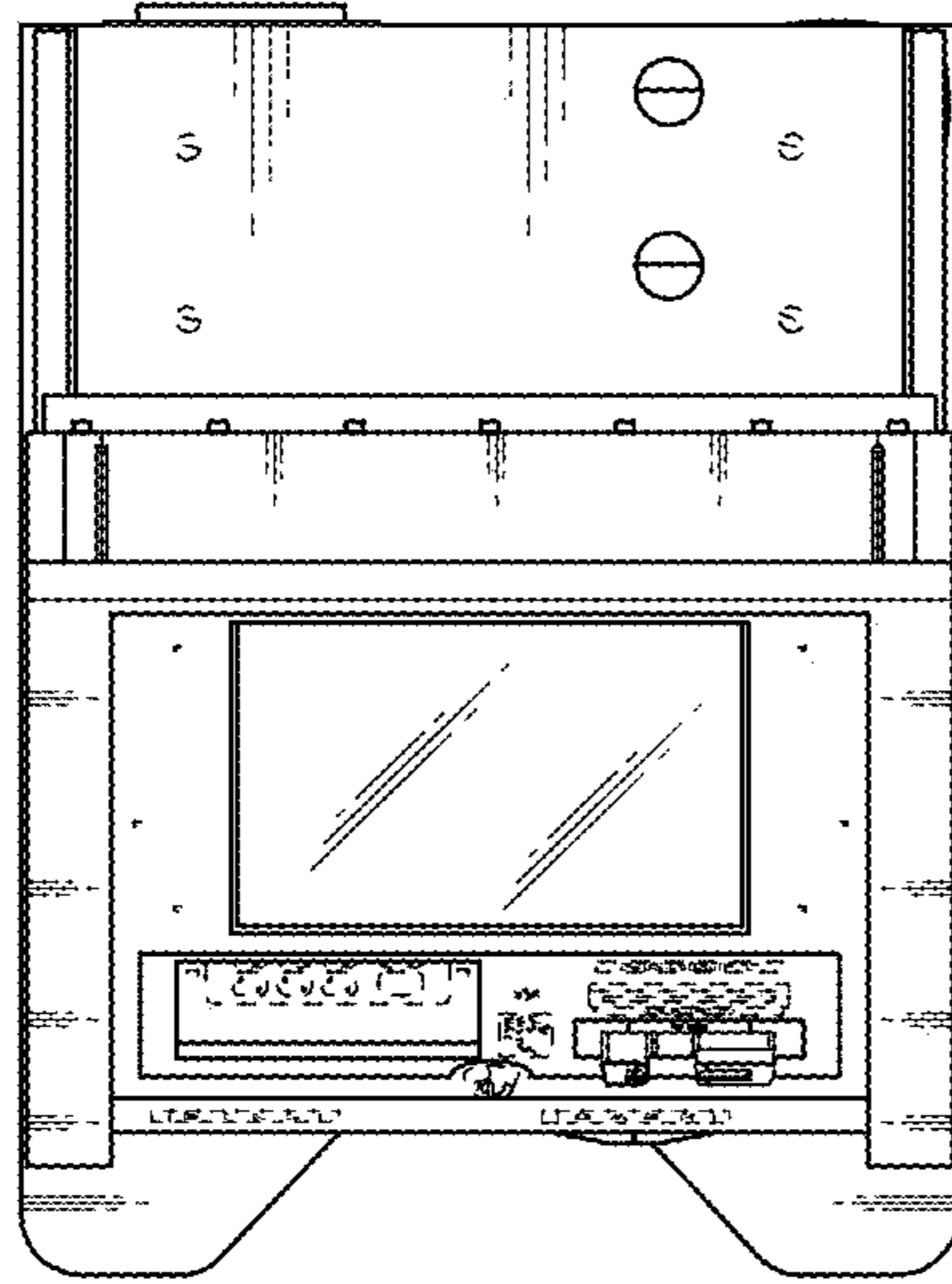


FIG. 6

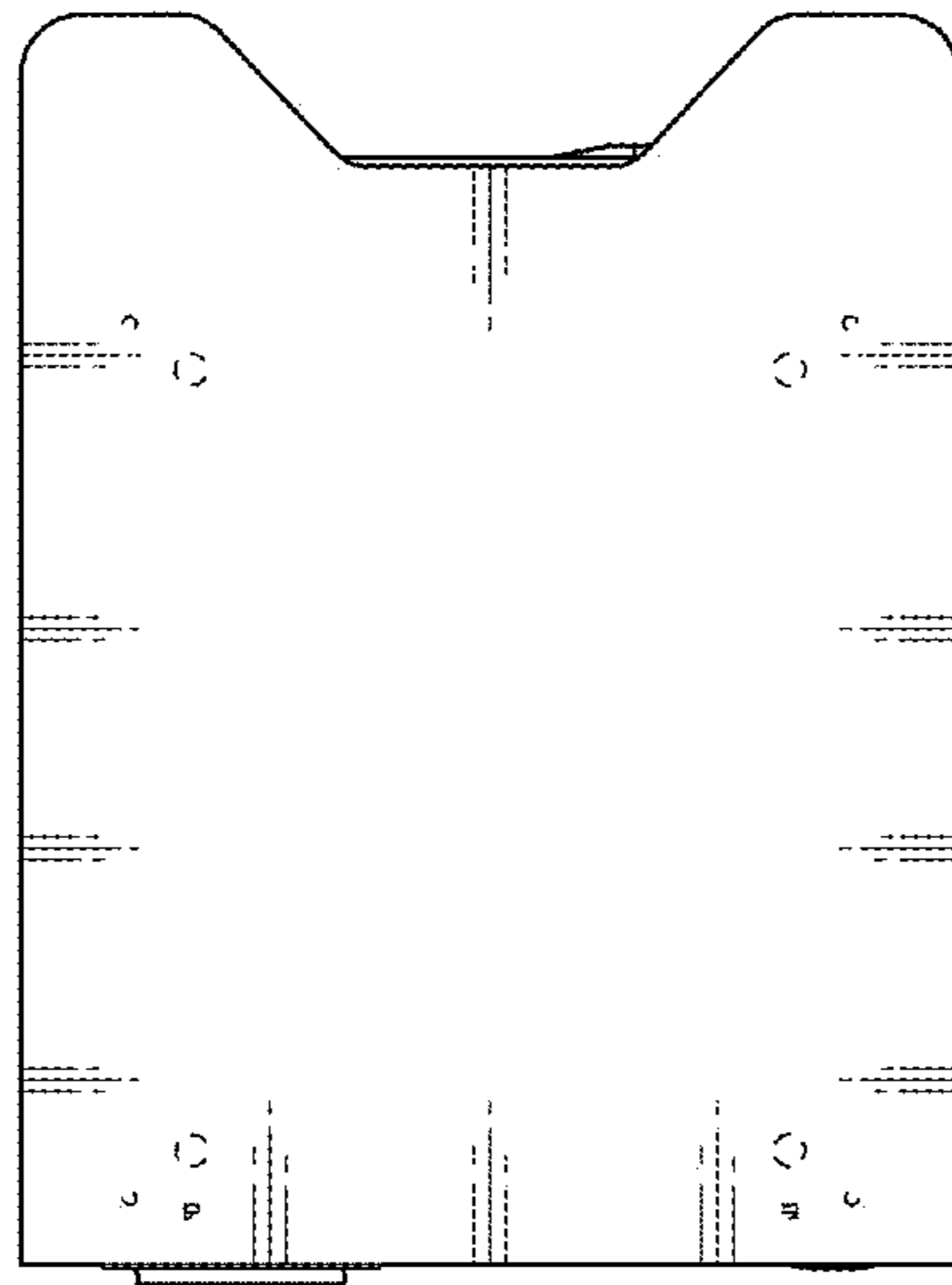


FIG. 7