



US00D951579S

(12) **United States Design Patent**
Song et al.

(10) **Patent No.:** **US D951,579 S**

(45) **Date of Patent:** **** May 10, 2022**

(54) **FOLDING CART FOR CARRYING**

(71) Applicants: **Won Seok Song**, Yongin-si (KR); **Jae Ho Song**, Yongin-si (KR); **Bo Kyoung Song**, Suwon-si (KR)

(72) Inventors: **Won Seok Song**, Yongin-si (KR); **Jae Ho Song**, Yongin-si (KR); **Bo Kyoung Song**, Suwon-si (KR)

(**) Term: **15 Years**

(21) Appl. No.: **35/510,562**

(22) Filed: **Apr. 13, 2020**

(80) **Hague Agreement Data**

Int. Filing Date: **Apr. 13, 2020**

Int. Reg. No.: **DM/208774**

Int. Reg. Date: **Apr. 13, 2020**

Int. Reg. Pub. Date: **Oct. 16, 2020**

(30) **Foreign Application Priority Data**

Dec. 3, 2019 (KR) 30-2019-0058355

(51) **LOC (13) Cl.** **12-02**

(52) **U.S. Cl.**
USPC **D34/12**

(58) **Field of Classification Search**
USPC D34/12, 14, 17, 18, 19, 23, 24; D3/305,
D3/318, 328

(Continued)

(56) **References Cited**

U.S. PATENT DOCUMENTS

D411,679 S * 6/1999 Hsieh D34/24

D485,038 S * 1/2004 Zimmer D34/24

(Continued)

FOREIGN PATENT DOCUMENTS

CN 302702610 * 2/2014

Primary Examiner — Tracey J Bell

(74) *Attorney, Agent, or Firm* — Egbert, McDaniel & Swartz, PLLC

(57) **CLAIM**

The ornamental design for a folding cart for carrying, as shown and described.

DESCRIPTION

1. Folding cart for carrying

1.1 : Perspective

1.2 : Front

1.3 : Back

1.4 : Left

1.5 : Right

1.6 : Top

1.7 : Bottom

1.8 : Perspective

1.9 : Front

1.10 : Back

1.11 : Left

1.12 : Right

1.13 : Top

1.14 : Bottom

1.15 : Reference View

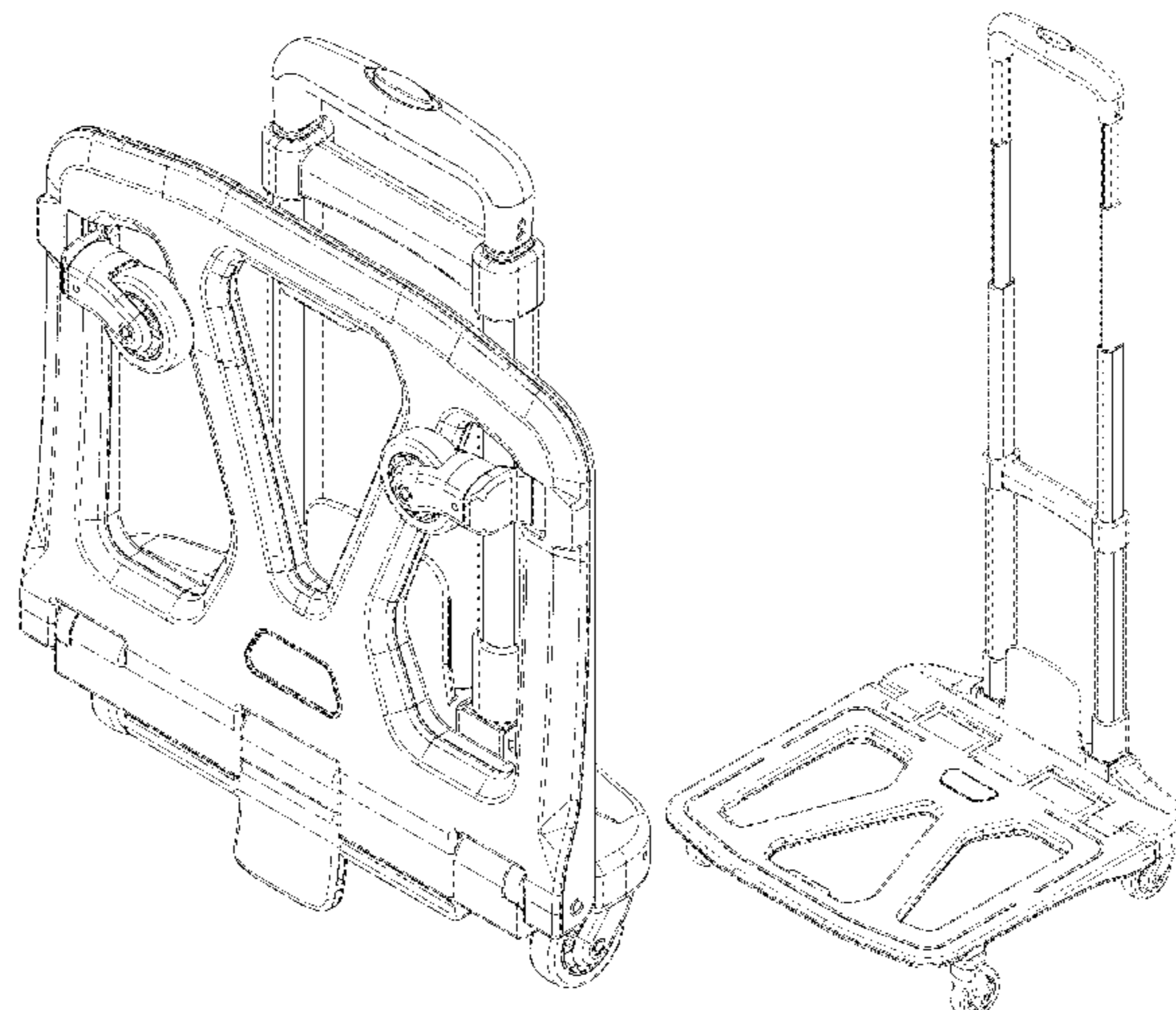
1.16 : Reference View

Reproductions 1.1 to 1.7 are front perspective, front, back, left, right, top and bottom views of the folding cart for carrying in a condition that the claimed design is completely folded; reproductions 1.8 to 1.14 are front perspective, front, back, left, right, top and bottom views of the folding cart for carrying in a condition that the claimed design is completely unfolded.

Reproductions 1.15 and 1.16 are perspective views showing the front perspective wherein the claimed design is completely folded and unfolded respectively after loading a folding box. The folding box is environmental subject matter that forms no part of the claimed design.

The broken lines in Reproductions 1.7 and 1.14 illustrate portions of the folding cart for carrying that form no part of the claimed design.

1 Claim, 16 Drawing Sheets



(58) **Field of Classification Search**

CPC B62B 3/02; B62B 3/022; B62B 3/025;
B62B 3/027; B62B 2205/00; B62B
2205/12

See application file for complete search history.

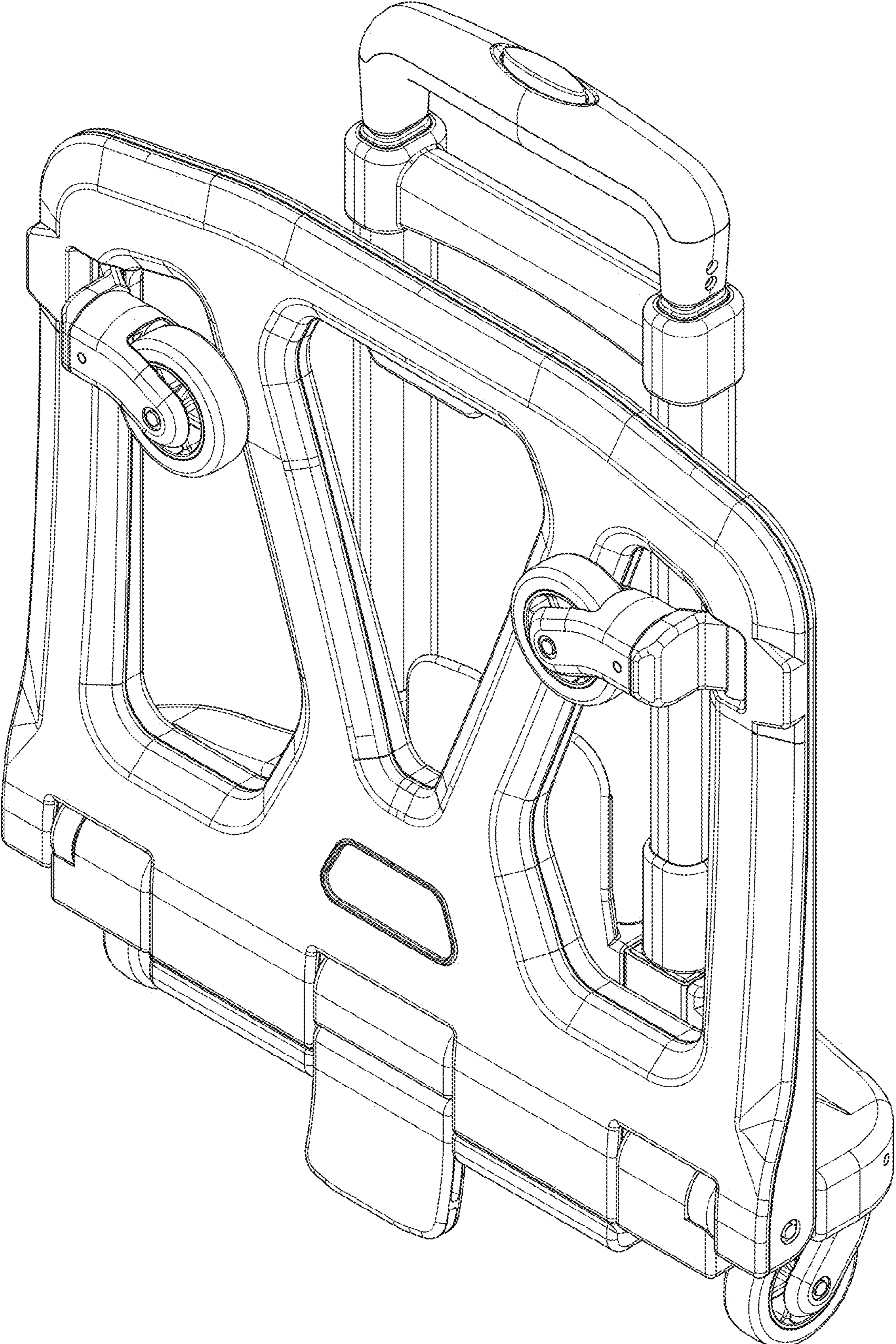
(56) **References Cited**

U.S. PATENT DOCUMENTS

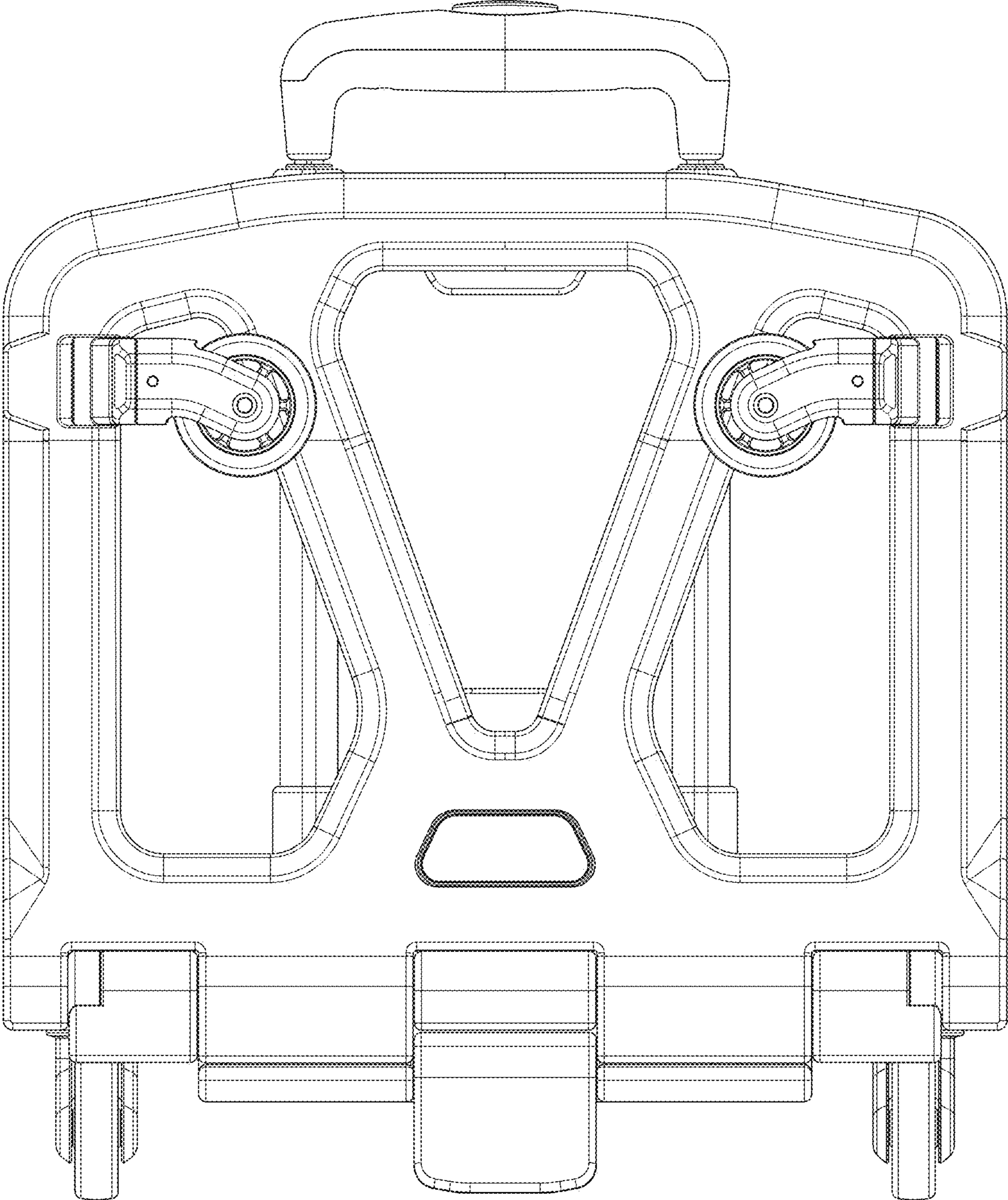
RE38,436 E * 2/2004 Su B62B 1/12
280/40
D522,708 S * 6/2006 Chang D34/24
7,097,183 B1 * 8/2006 Su B62B 1/12
280/40
7,441,785 B1 * 10/2008 Tsai B62B 1/12
280/47.29
D677,034 S * 2/2013 Chang D34/24
D683,923 S * 6/2013 Henley D34/26
D758,687 S * 6/2016 Shitrit D34/12
D776,894 S * 1/2017 Lee D34/24
D776,895 S * 1/2017 Lee D34/24
10,668,938 B1 * 6/2020 Song B62B 1/12
2020/0165030 A1 * 5/2020 Song B65D 11/1873
2021/0261295 A1 * 8/2021 Song B65D 11/26

* cited by examiner

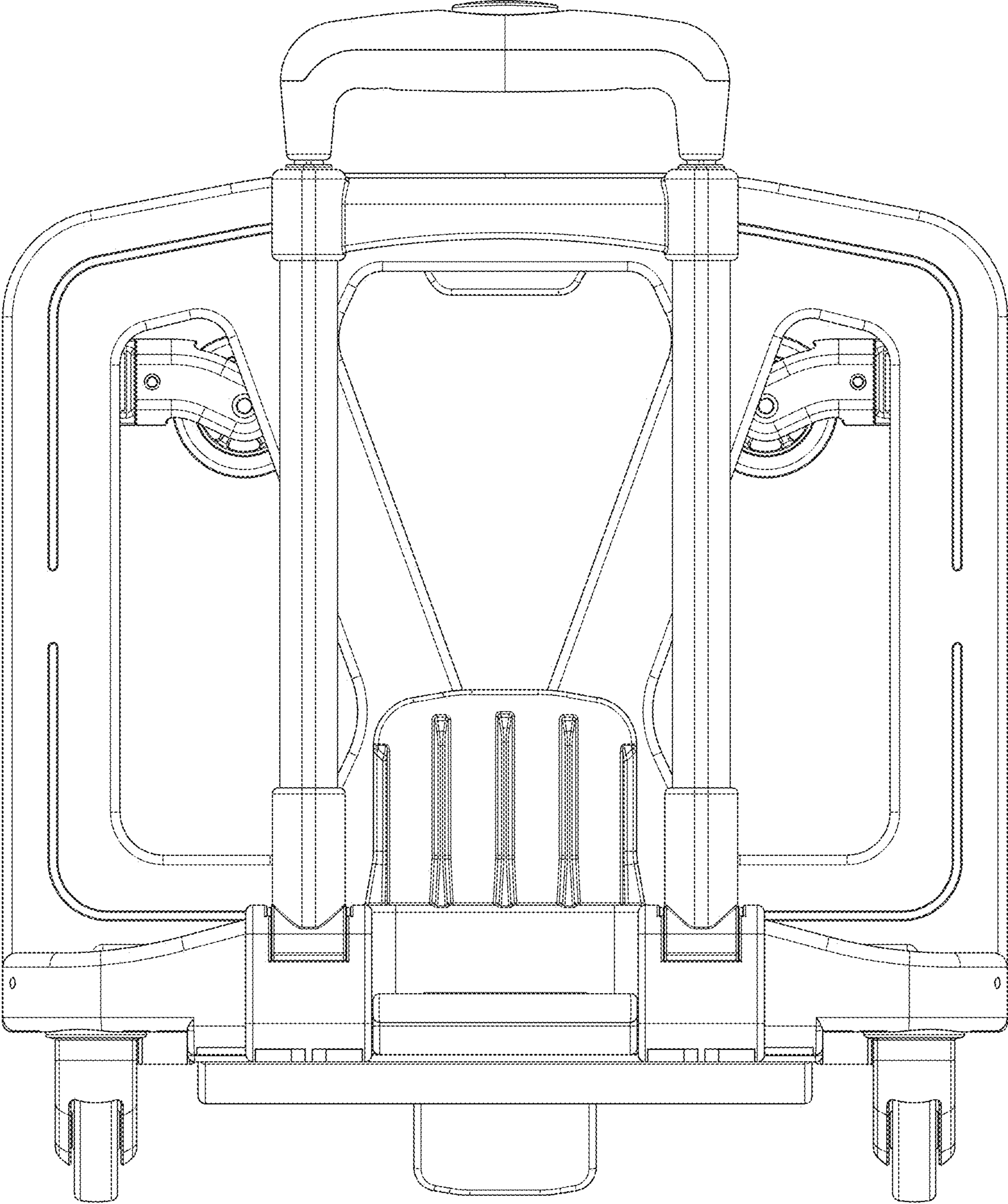
1.1



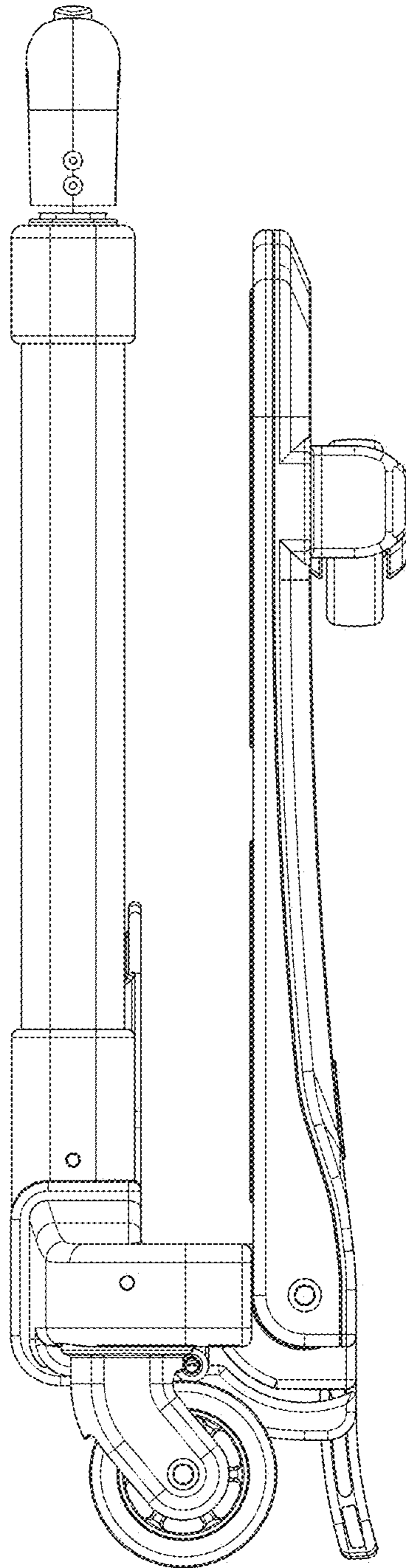
1.2



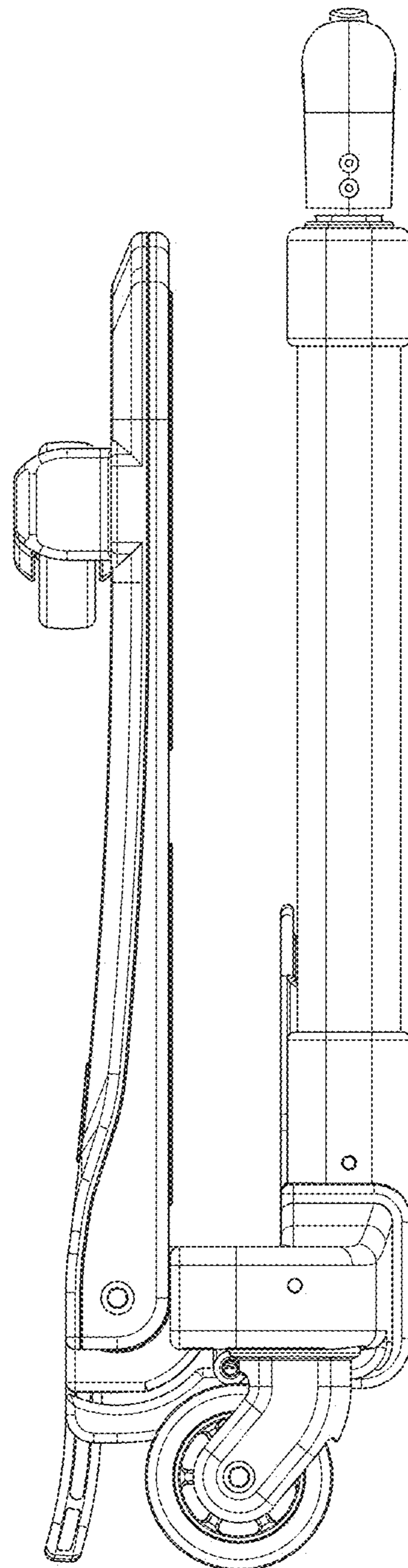
1.3



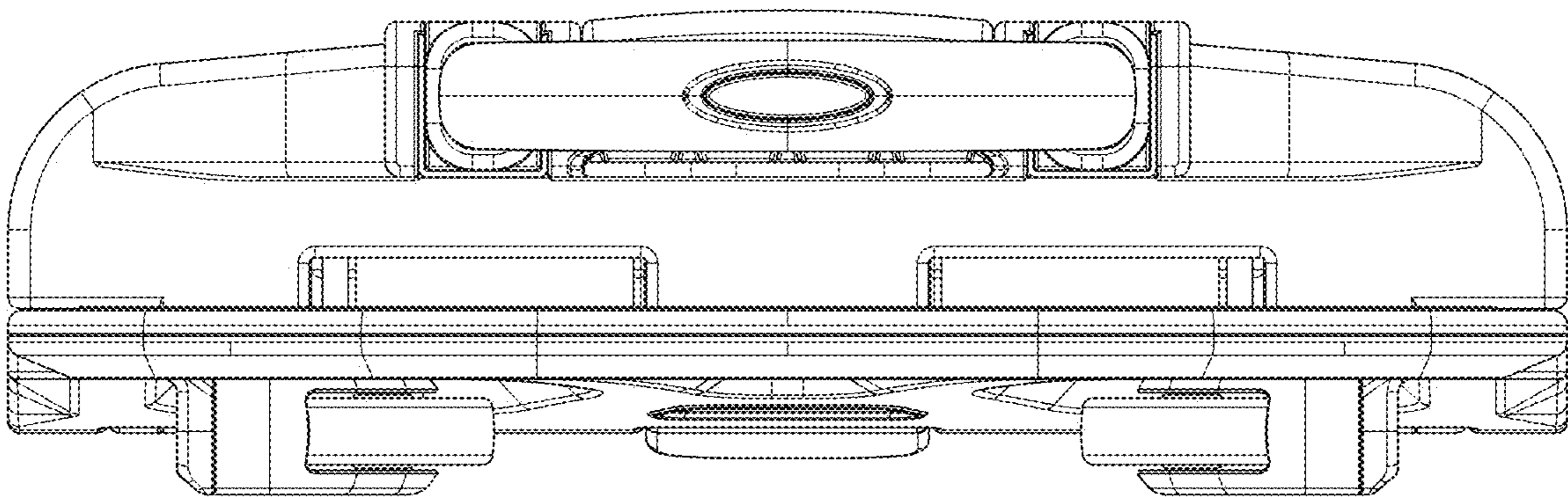
1.4



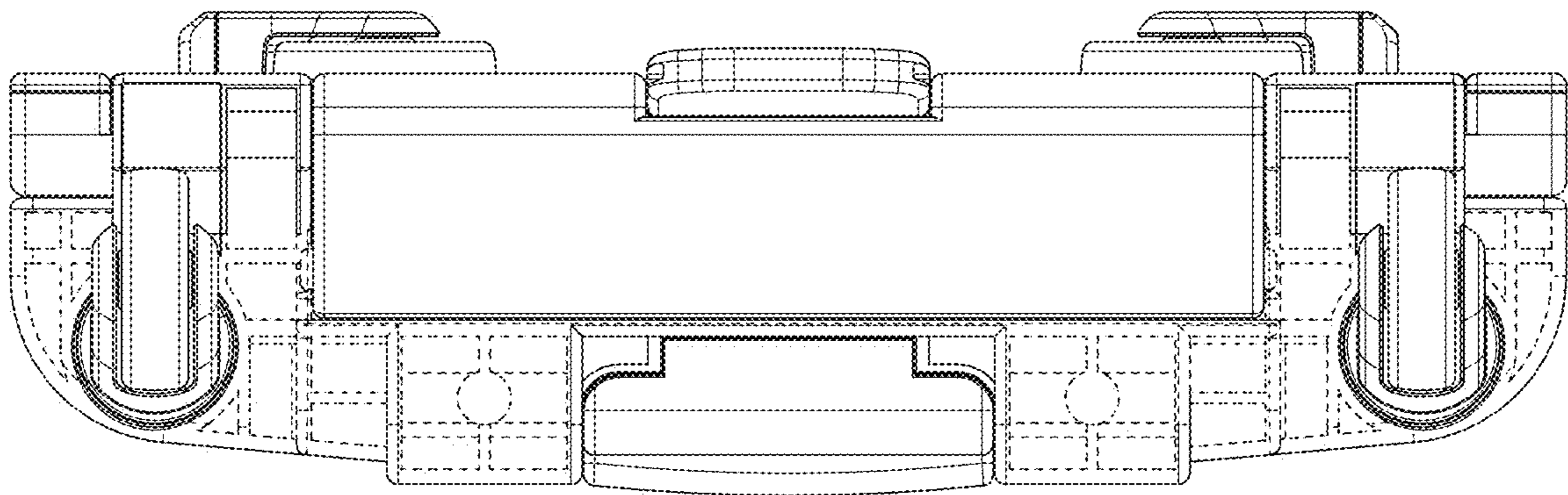
1.5



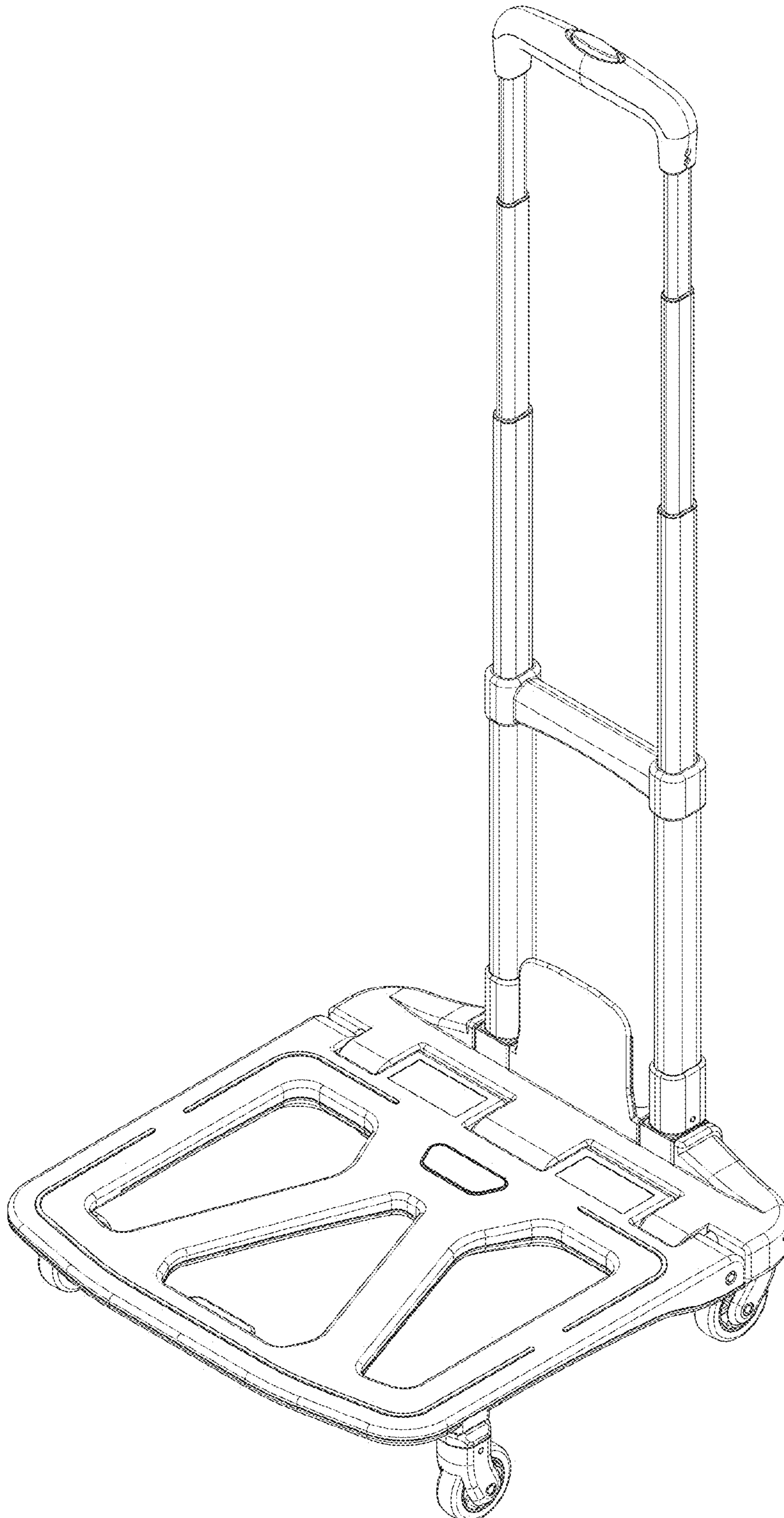
1.6



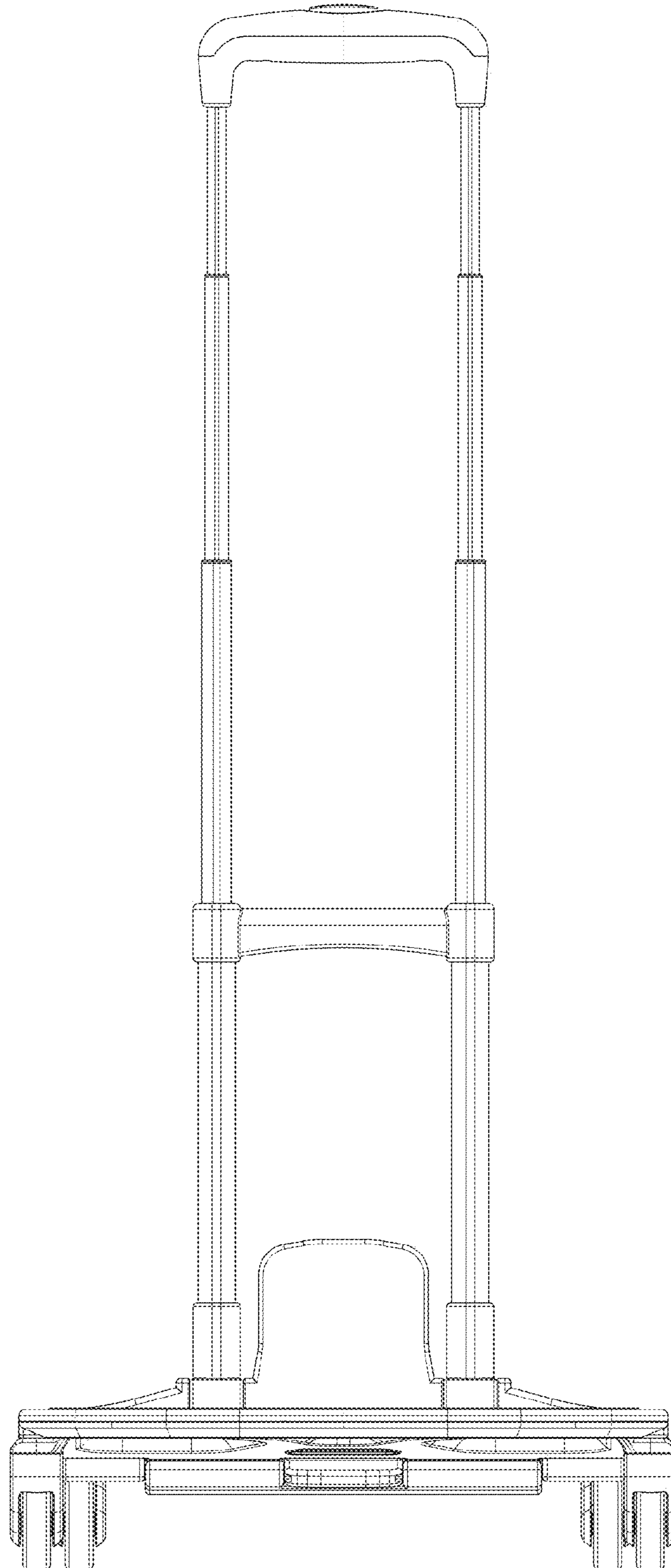
1.7



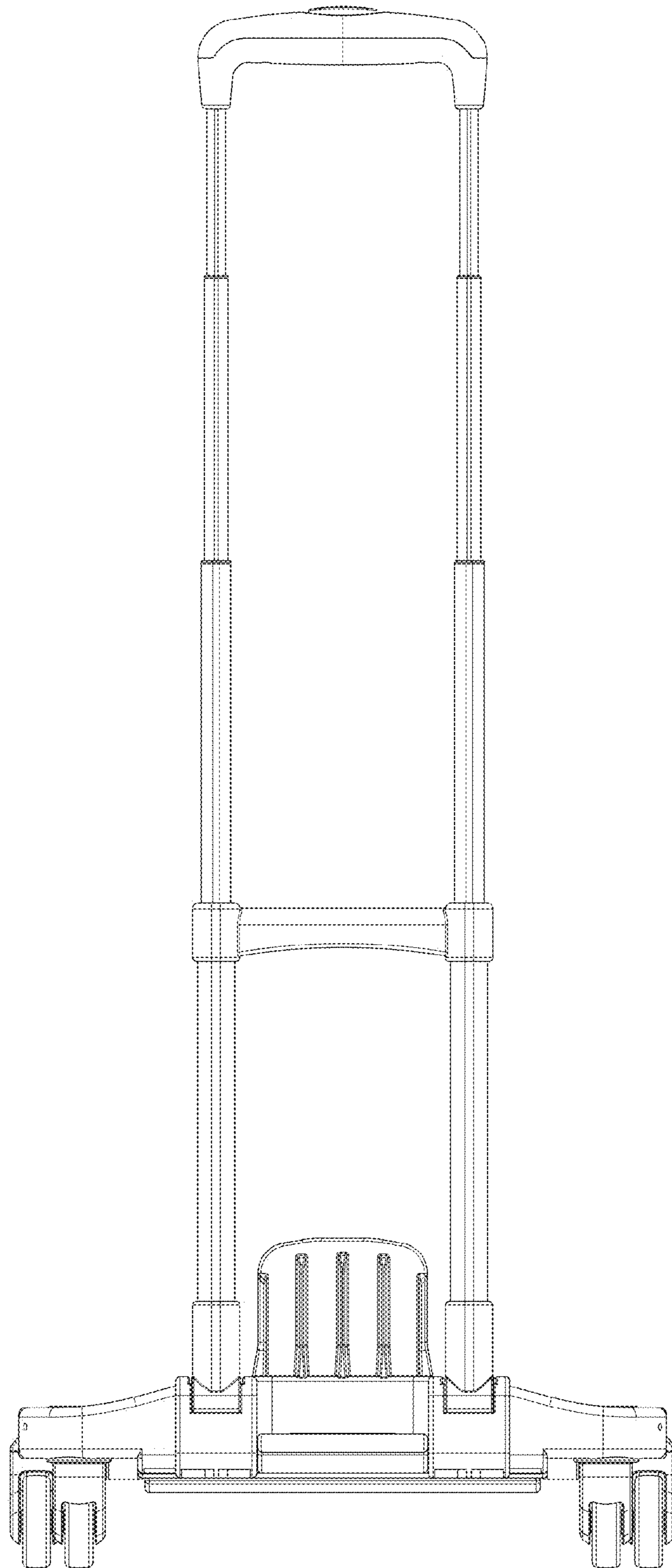
1.8



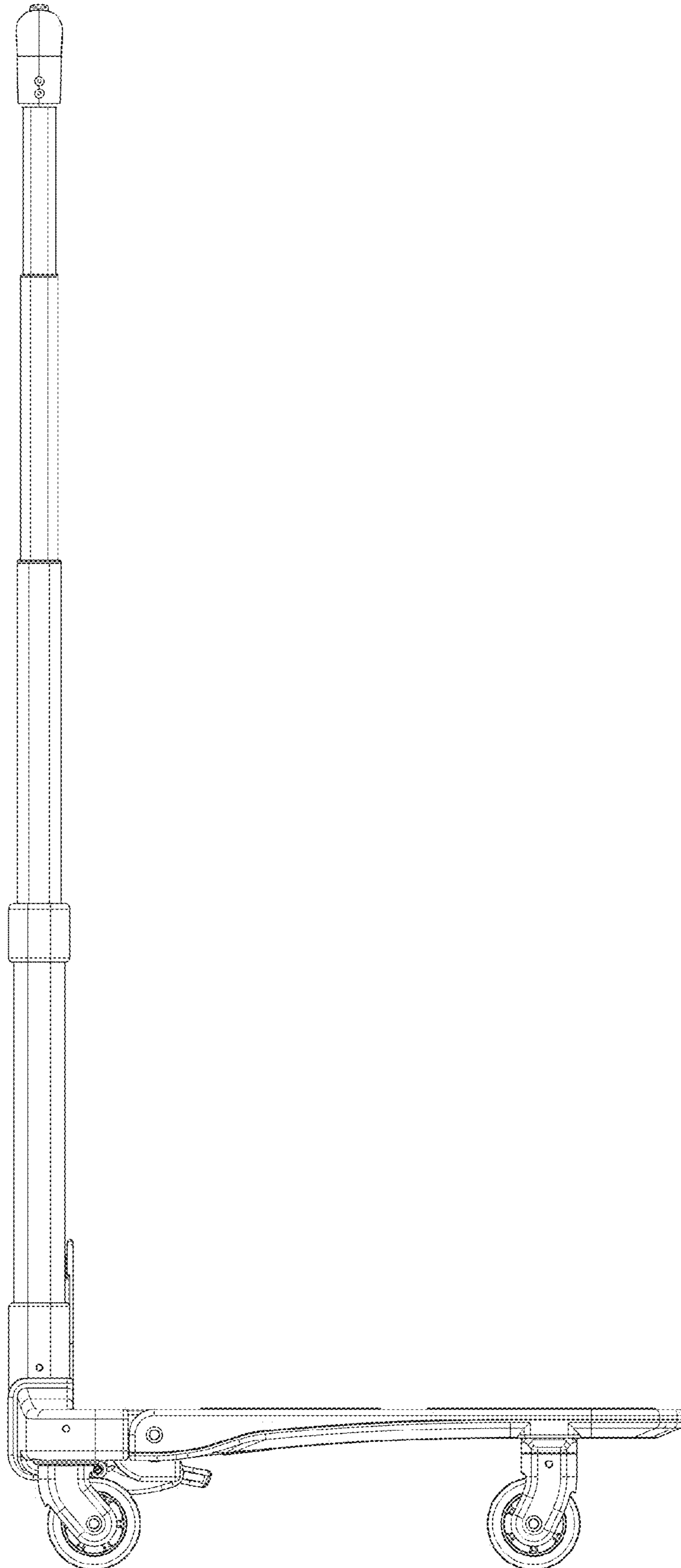
1.9



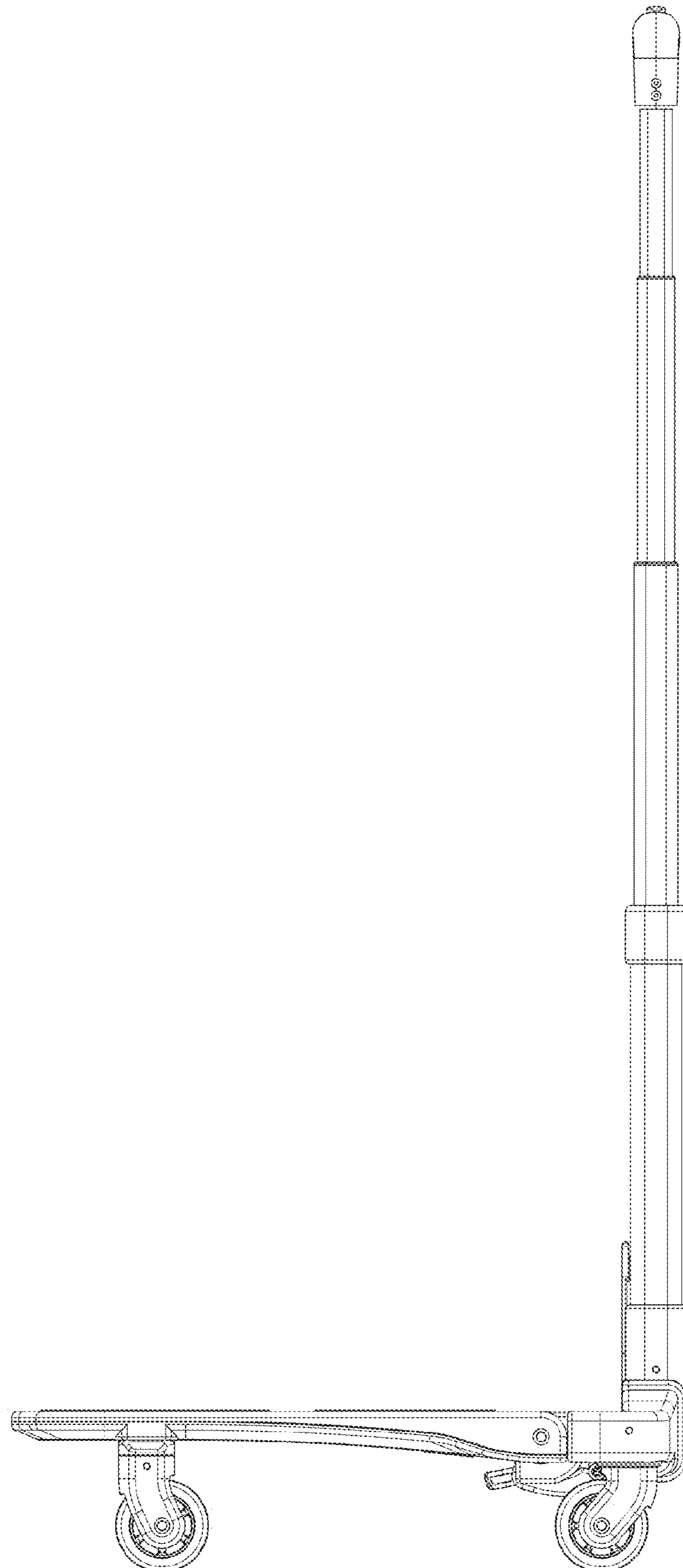
1.10



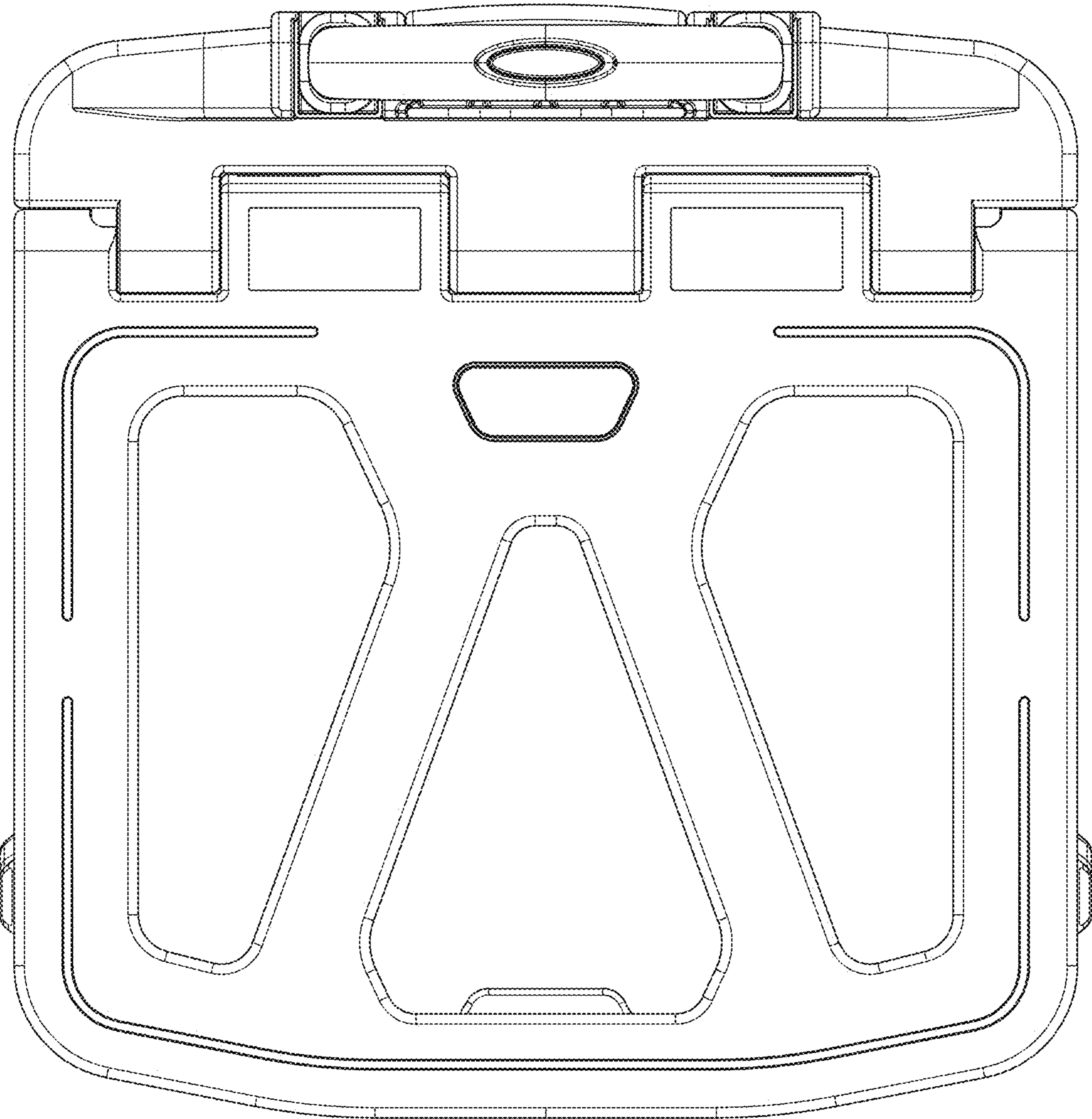
1.11



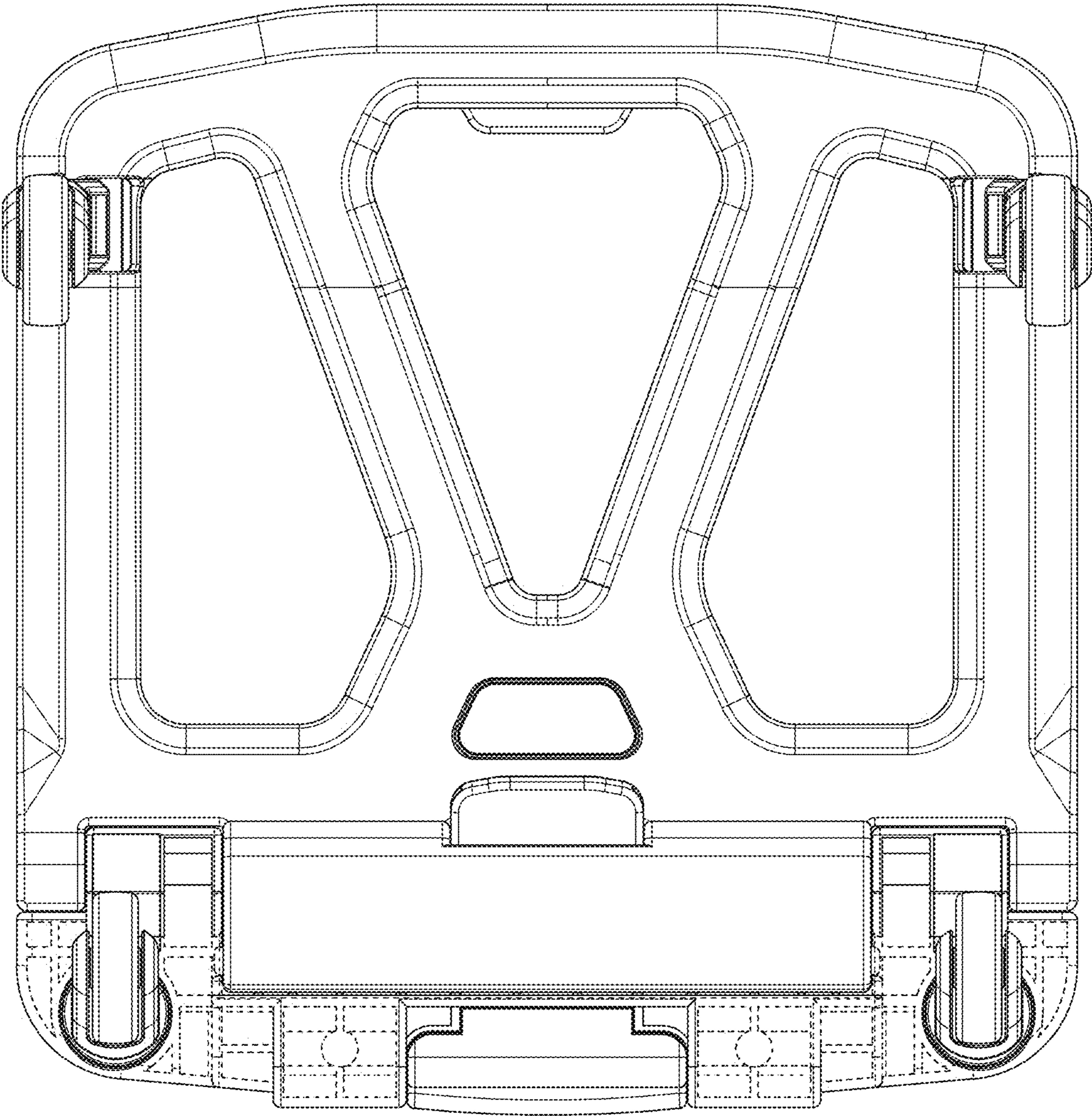
1.12



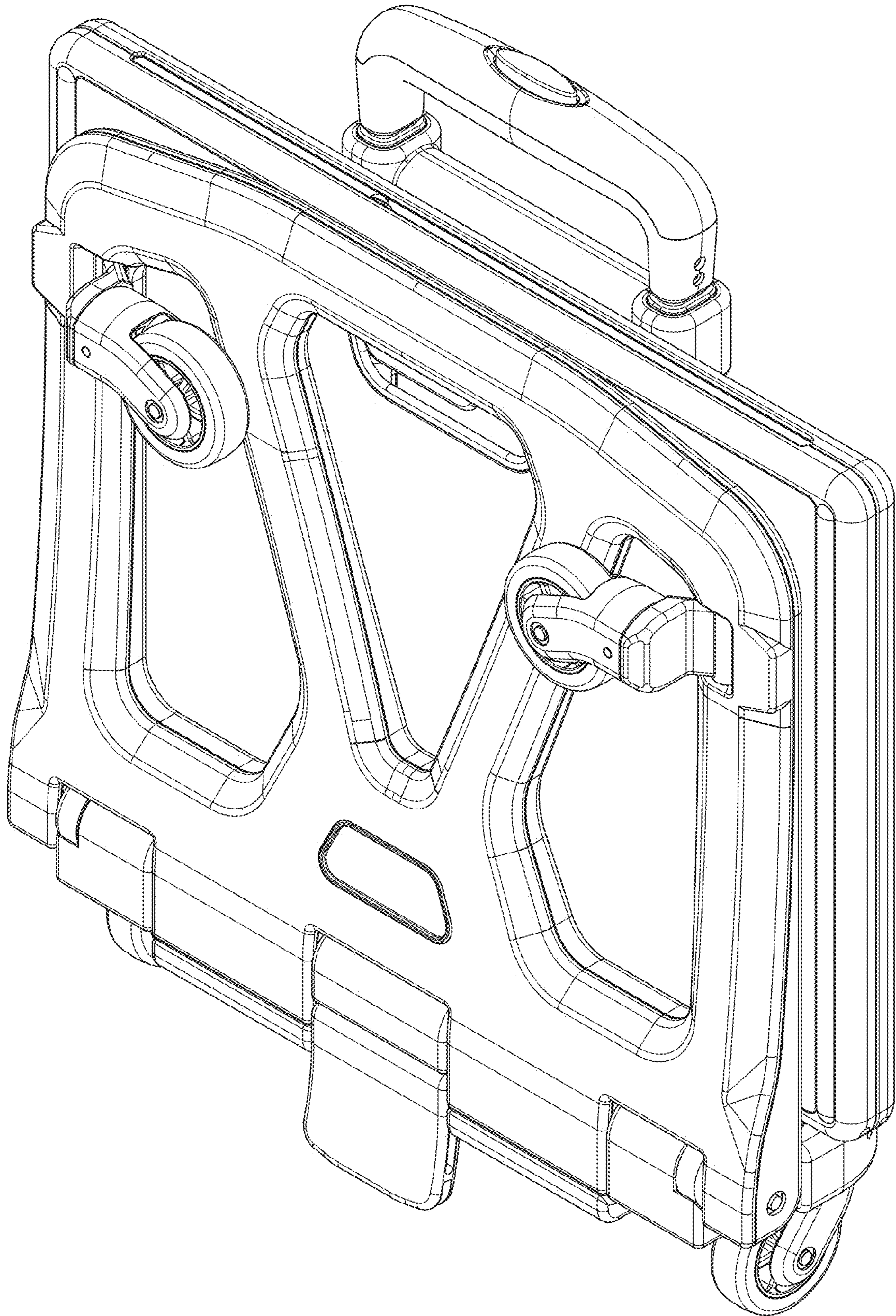
1.13



1.14



1.15



1.16

